



US00D771266S

(12) **United States Design Patent** (10) **Patent No.:** **US D771,266 S**
Bredemeier et al. (45) **Date of Patent:** **** Nov. 8, 2016**

(54) **MUSHROOM TEETHING TOY FOR INFANT**

D687,954 S * 8/2013 Dallman D24/194
D700,019 S * 2/2014 Kolano D7/628
D746,935 S * 1/2016 Whitman D21/836

(71) Applicants: **Lori A. Bredemeier**, Dunedin, FL
(US); **Michael Bredemeier**, Dunedin,
FL (US)

(72) Inventors: **Lori A. Bredemeier**, Dunedin, FL
(US); **Michael Bredemeier**, Dunedin,
FL (US)

(**) Term: **14 Years**

(21) Appl. No.: **29/519,173**

(22) Filed: **Mar. 3, 2015**

(51) **LOC (10) Cl.** **24-04**

(52) **U.S. Cl.**
USPC **D24/195**

(58) **Field of Classification Search**
USPC D24/193, 194, 195, 214; D30/160;
D1/101, 104, 106, 111, 115, 125, 199;
D21/483, 490, 496, 584, 597, 601, 603,
D21/625, 627, 628, 650; 606/235
CPC A61J 17/02
See application file for complete search history.

(56) **References Cited**

U.S. PATENT DOCUMENTS

1,117,093 A * 11/1914 Ripley A61J 17/02
446/419
D229,124 S * 11/1973 Turner D25/56
D355,046 S * 1/1995 Corsi D26/134
D357,540 S * 4/1995 Abrams D1/128
D373,450 S * 9/1996 O'Rourke D30/160
5,551,952 A * 9/1996 Falgout A61J 17/02
601/139
D411,303 S * 6/1999 Scagliotti D24/194
D438,334 S * 2/2001 Dolan D26/134
D520,244 S * 5/2006 Huller D4/124
D658,303 S * 4/2012 Chin D24/194

OTHER PUBLICATIONS

“New Baby and Mama Essentials”. Found online Mar. 30, 2016 at momtrends.com. Page dated Dec. 16, 2014. Retrieved from <http://www.momtrends.com/2014/12/new-baby-essentials/>.
“Funguy Appe-Teethers (Mushroom)”. Found online Jan. 22, 2016 at amazon.com. Page dated Jan. 15, 2015. Retrieved from <http://www.amazon.in/Little-Toader-Teething-Toys-Appe-Teethers/dp/B00P2P62PA>.
“Balsamic Portobello Paleo Tortillas”. Found online Mar. 30, 2016 at melissapowerfitness.wordpress.com. Page dated Mar. 12, 2014. Retrieved from <https://melissapowerfitness.wordpress.com/2014/03/12/balsamic-portobello-paleo-tortillas/>.
“Stock Photo: Portobello Mushroom”. Found online Mar. 30, 2016 at pixabay.com. Page dated Sep. 9, 2013. Retrieved from <https://pixabay.com/en/portobello-mushroom-giant-mushroom-235018/>.

* cited by examiner

Primary Examiner — Robert M Spear
Assistant Examiner — Kendra L Hamilton
(74) *Attorney, Agent, or Firm* — Williams Intellectual Property; Benjamin F. Williams

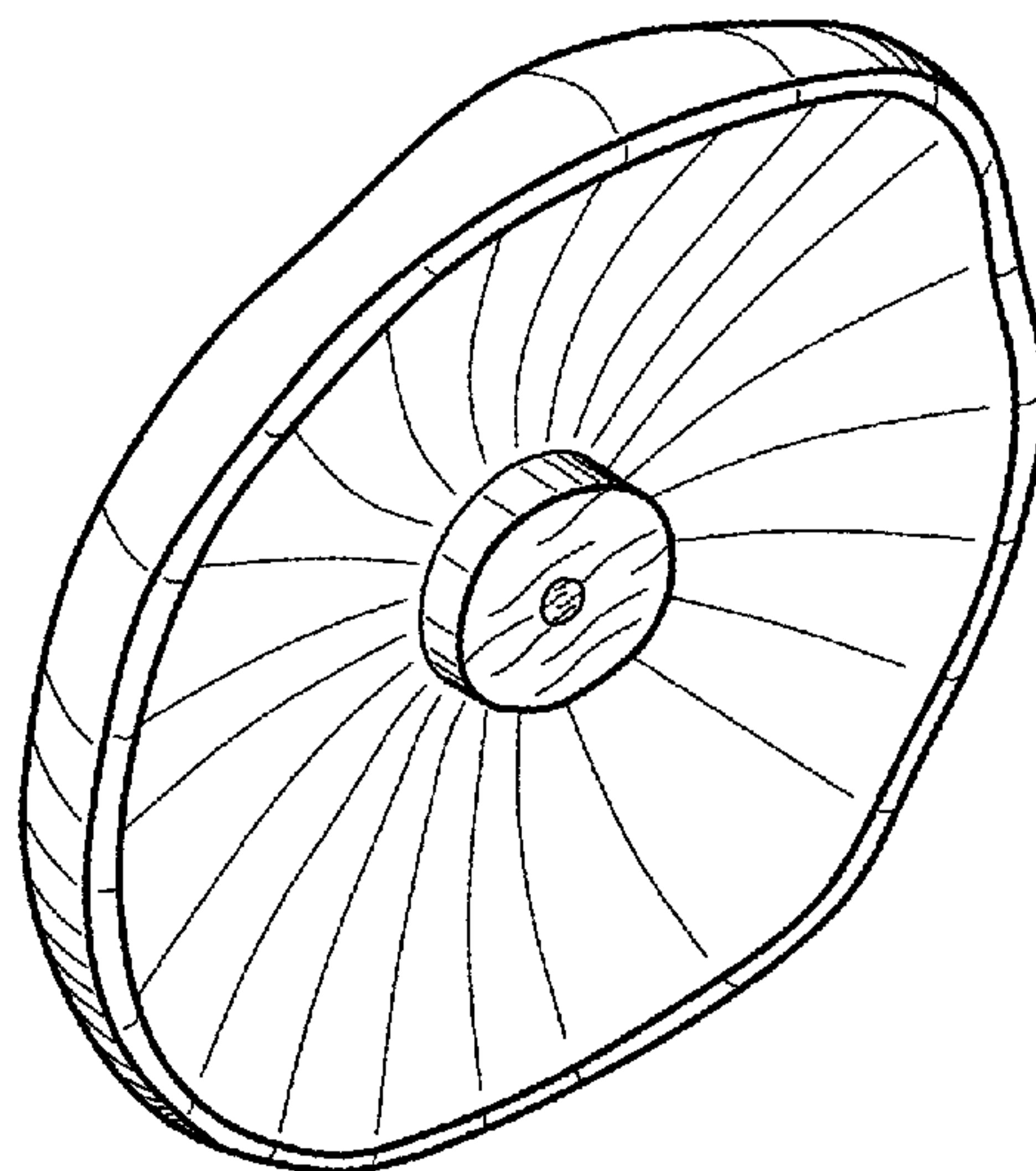
(57) **CLAIM**

The ornamental design for a mushroom teething toy for infant, as shown and described.

DESCRIPTION

FIG. 1 is a perspective view of a mushroom teething toy for infant, showing my new design;
FIG. 2 is a bottom plan view thereof;
FIG. 3 is a top plan view thereof;
FIG. 4 is a right side elevation view thereof;
FIG. 5 is a left side elevation view thereof;
FIG. 6 is a front elevation view thereof; and,
FIG. 7 is a rear elevation view thereof.

1 Claim, 4 Drawing Sheets



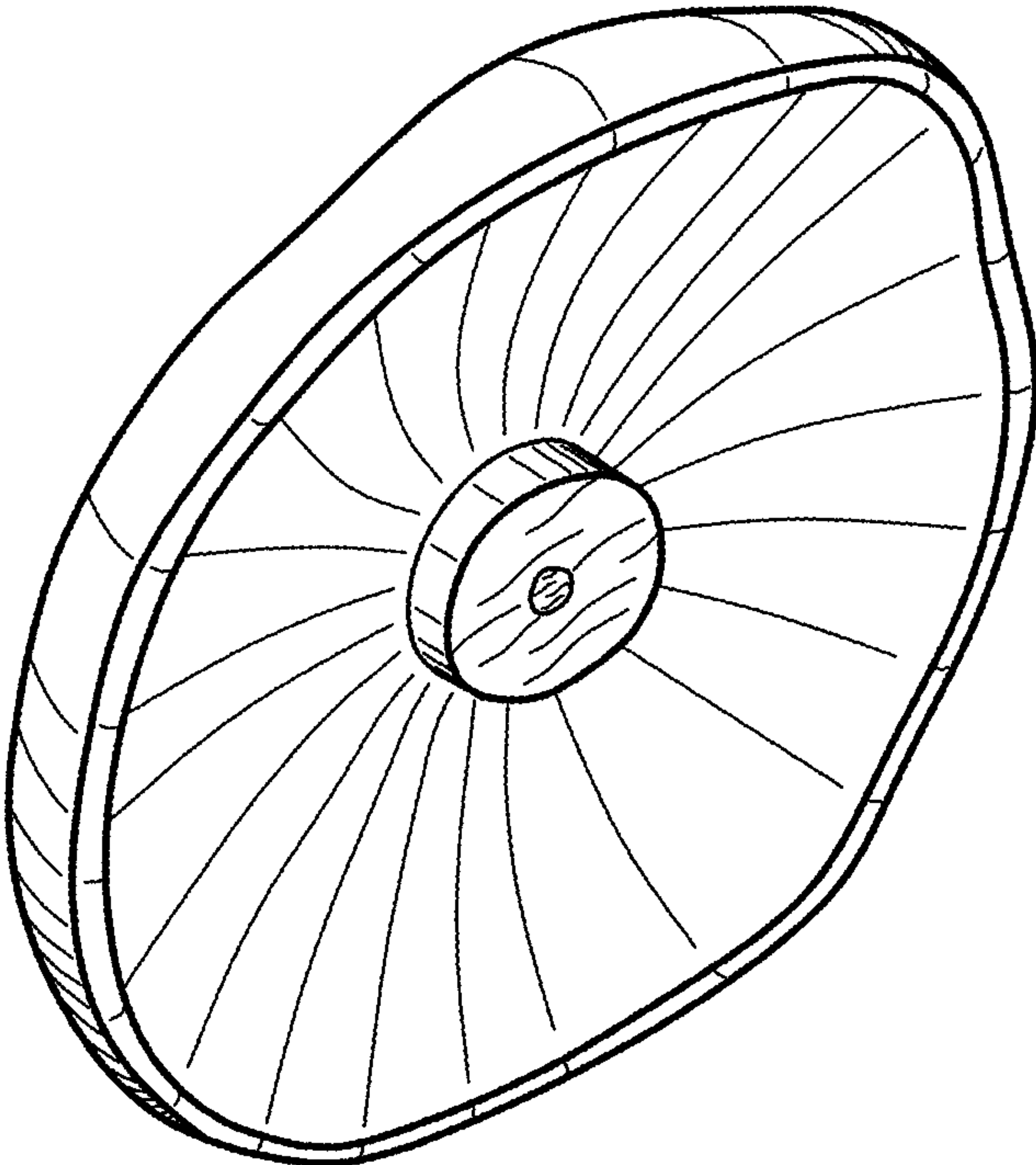


Fig. 1

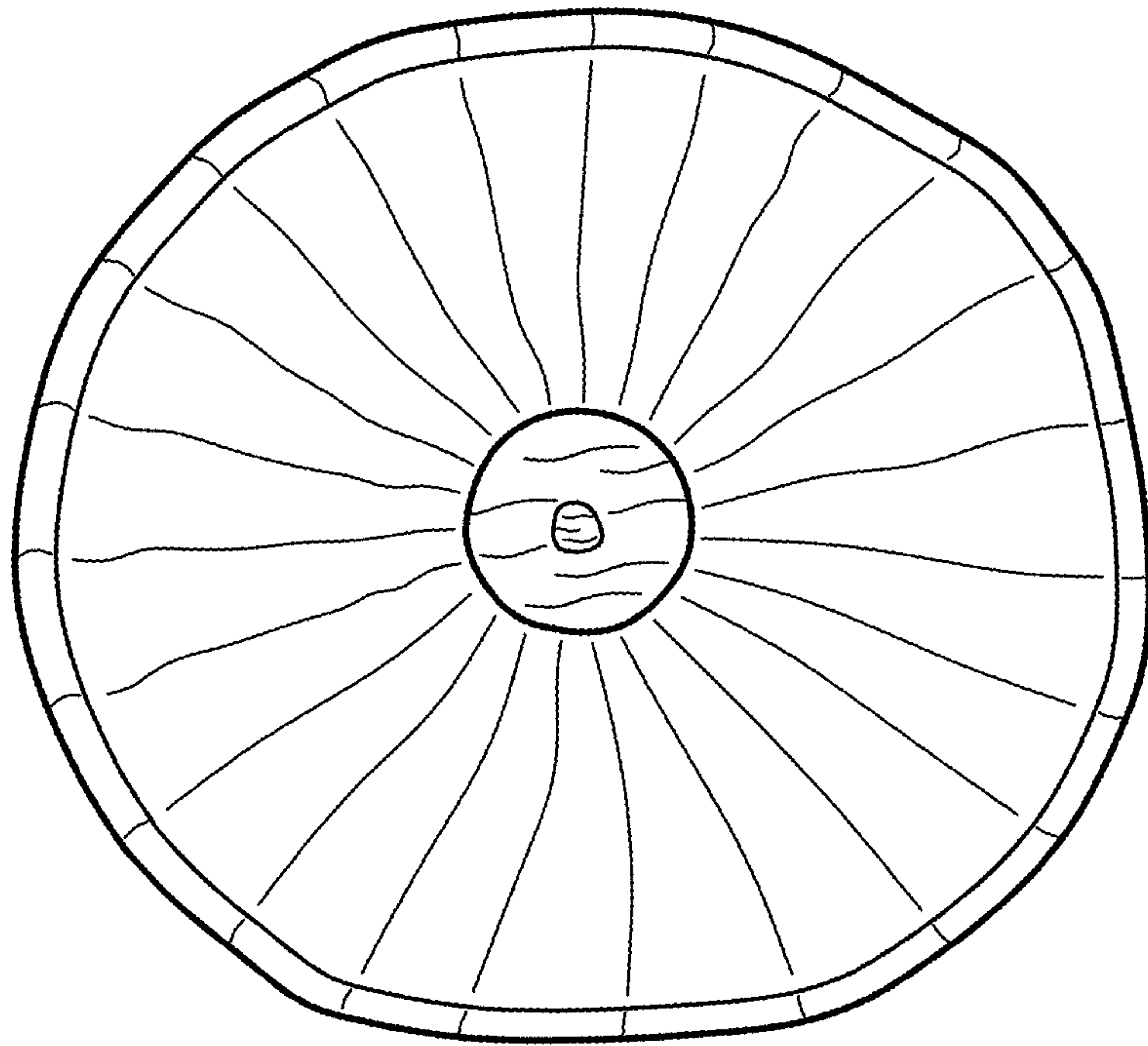


Fig. 2

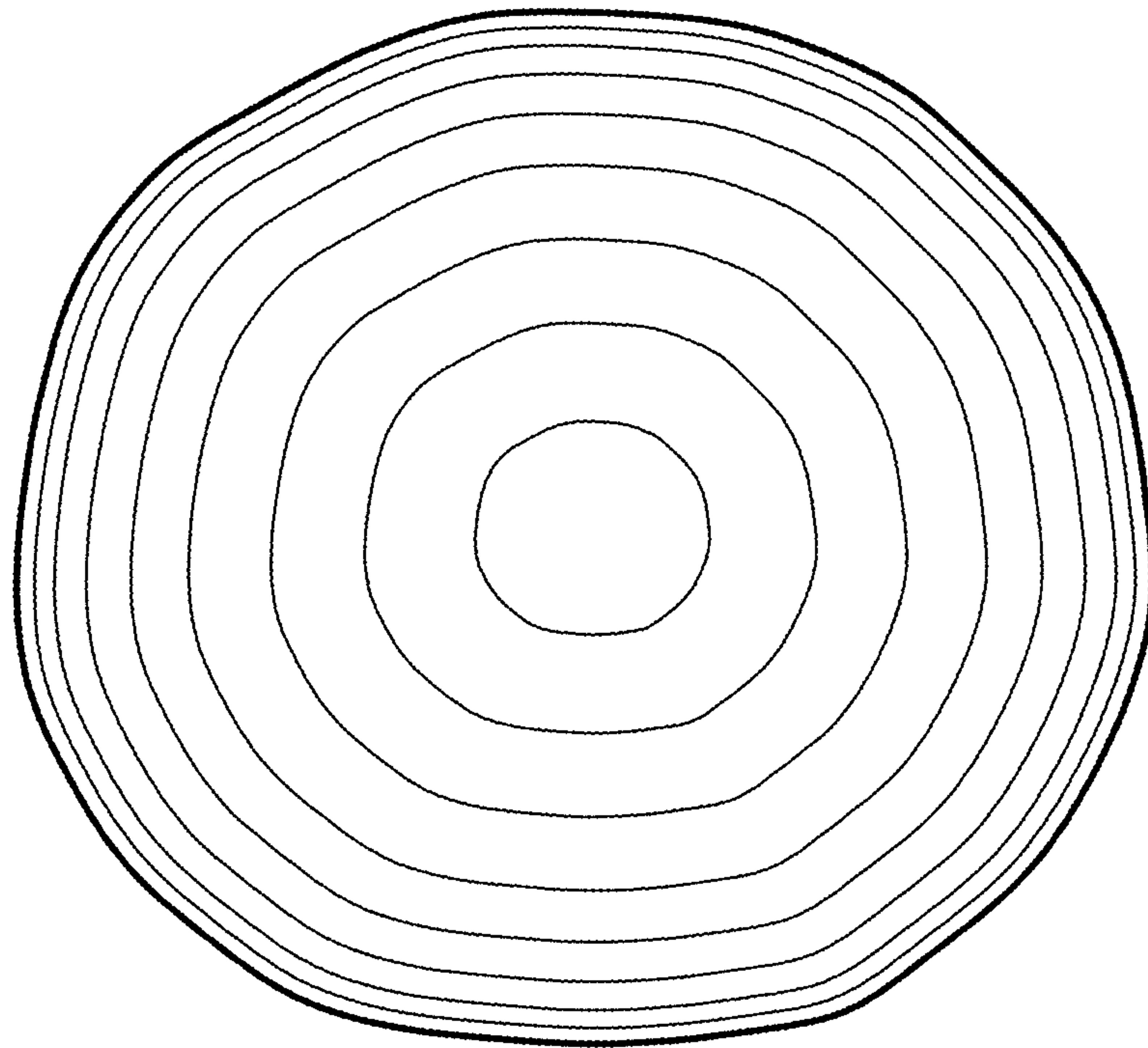


Fig. 3

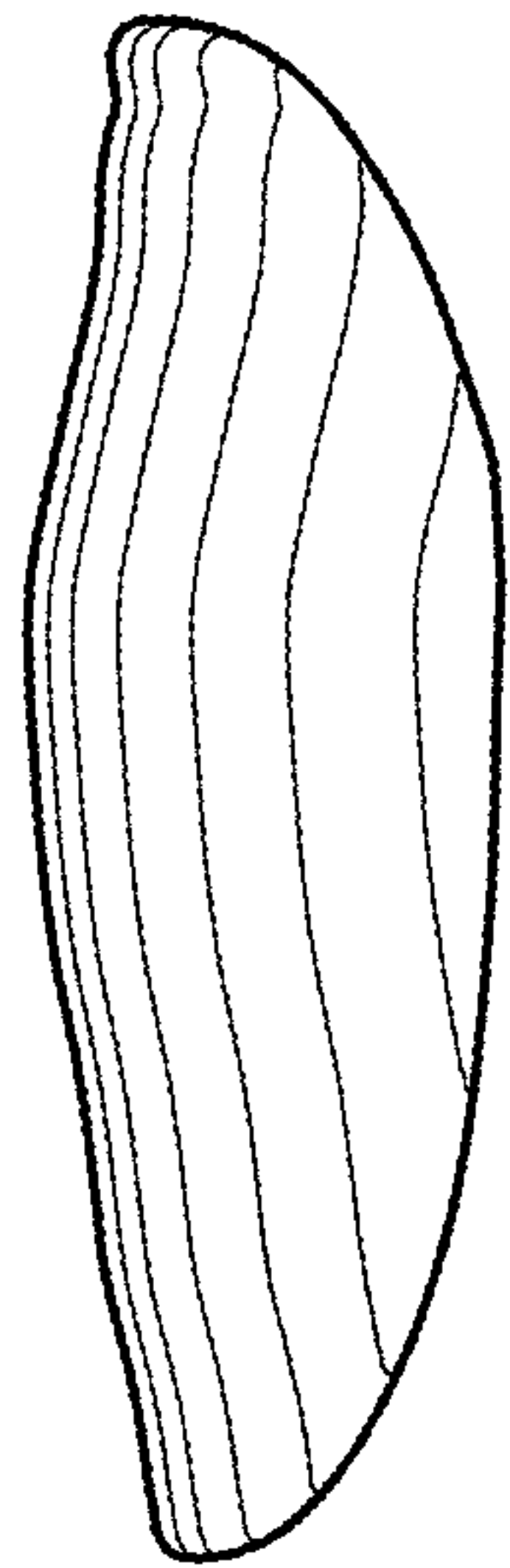


Fig. 4

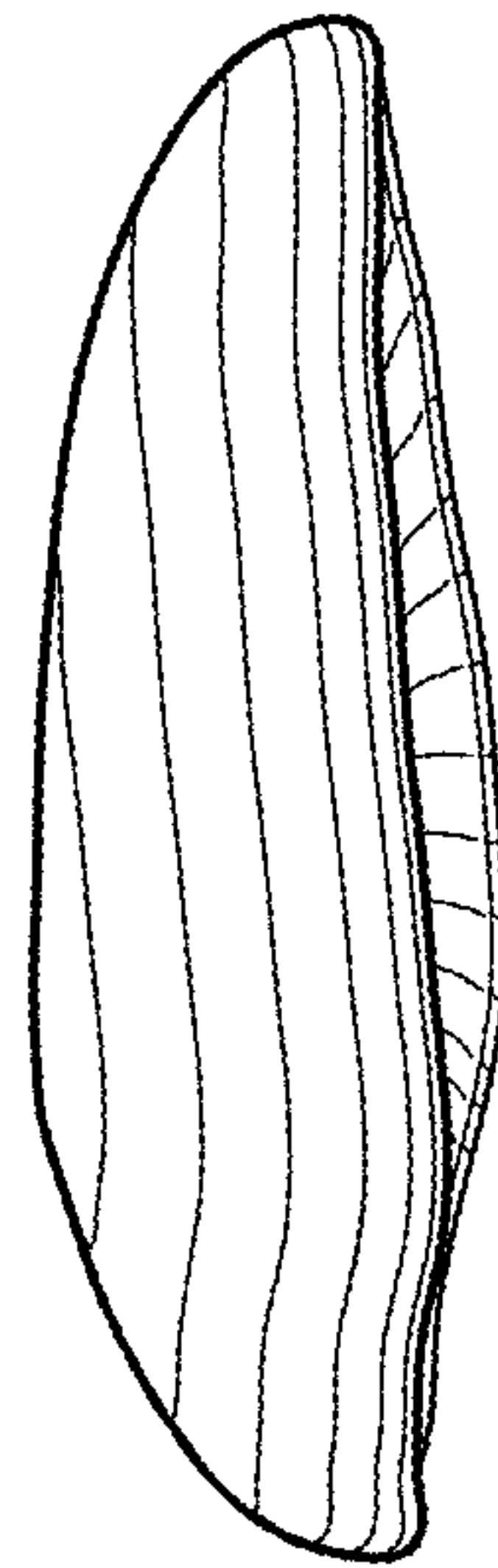


Fig. 5

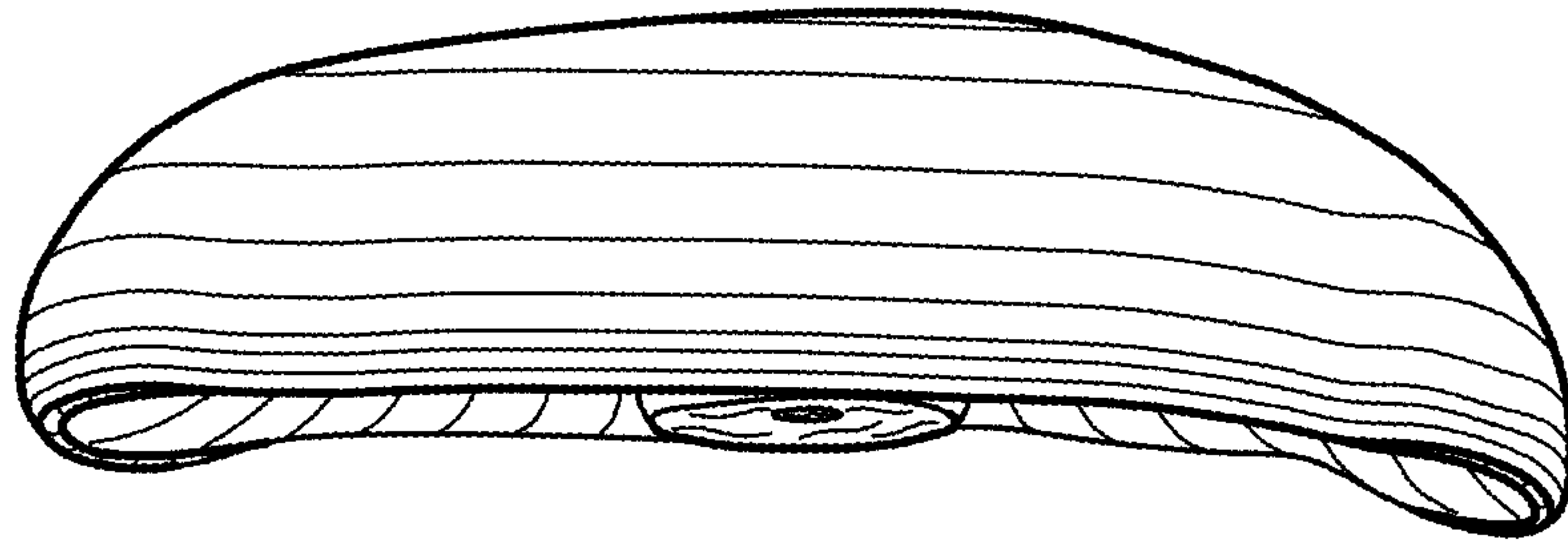


Fig. 6

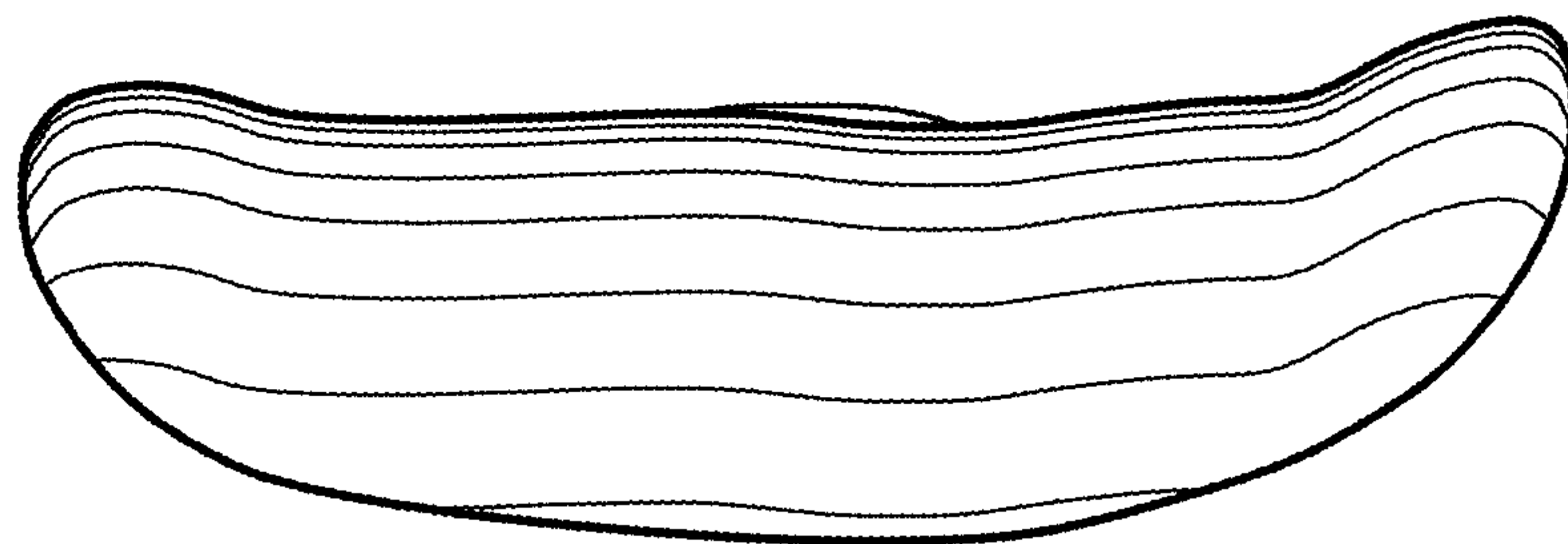


Fig. 7