



US00D771261S

(12) **United States Design Patent** (10) **Patent No.:** **US D771,261 S**  
**Movva et al.** (45) **Date of Patent:** **\*\* Nov. 8, 2016**

(54) **DEVICE FOR REMOTELY DETERMINING LEVELS OF HEALTHCARE INTERVENTIONS**

(71) Applicant: **CarePredict, Inc.**, Plantation, FL (US)

(72) Inventors: **Satish Movva**, Davie, FL (US); **Victoria Slaker**, San Francisco, CA (US); **Sang IK Lee**, San Francisco, CA (US); **Robert Brunner**, San Francisco, CA (US); **Christopher Kuh**, San Francisco, CA (US)

(73) Assignee: **CarePredict, Inc.**, Plantation, FL (US)

(\*\*) Term: **15 Years**

(21) Appl. No.: **29/543,912**

(22) Filed: **Oct. 29, 2015**

(51) **LOC (10) Cl.** ..... **24-02**

(52) **U.S. Cl.**  
USPC ..... **D24/186**

(58) **Field of Classification Search**  
USPC ..... D24/165–168, 186, 187, 107, 231;  
D10/70, 75, 98, 30–32, 38; D11/3–5;  
D14/344, 138 R  
CPC .. A61B 5/6802; A61B 5/681; A61B 5/6824;  
A61B 2560/0412; A61B 2560/0431; A61B  
2560/0443; A61B 2560/0462; A61B  
2560/0468; A61B 5/02405; A61B 5/02411;  
A61B 5/02427; A61B 5/02438; A61B 5/002;  
G08B 21/0211

See application file for complete search history.

(56) **References Cited**

U.S. PATENT DOCUMENTS

D420,446	S	*	2/2000	Kehr	.....	D24/186
D639,955	S	*	6/2011	Riobo Aboy	.....	D24/165
D670,583	S	*	11/2012	Shaanan	.....	D10/70
D714,942	S	*	10/2014	Hwang	.....	D24/167
D716,457	S	*	10/2014	Brefka	.....	D24/186
D733,598	S	*	7/2015	Just	.....	D24/167
9,113,842	B2	*	8/2015	Nishiyama	.....	A61B 5/6802
D753,314	S	*	4/2016	Stivoric	.....	D24/187
2014/0268522	A1	*	9/2014	Tanaka	.....	A61B 5/681 361/679.01
2016/0073882	A1	*	3/2016	Chang	.....	A61B 5/6802 340/870.07

\* cited by examiner

*Primary Examiner* — Anhdao Doan

(74) *Attorney, Agent, or Firm* — DLA Piper LLP (US)

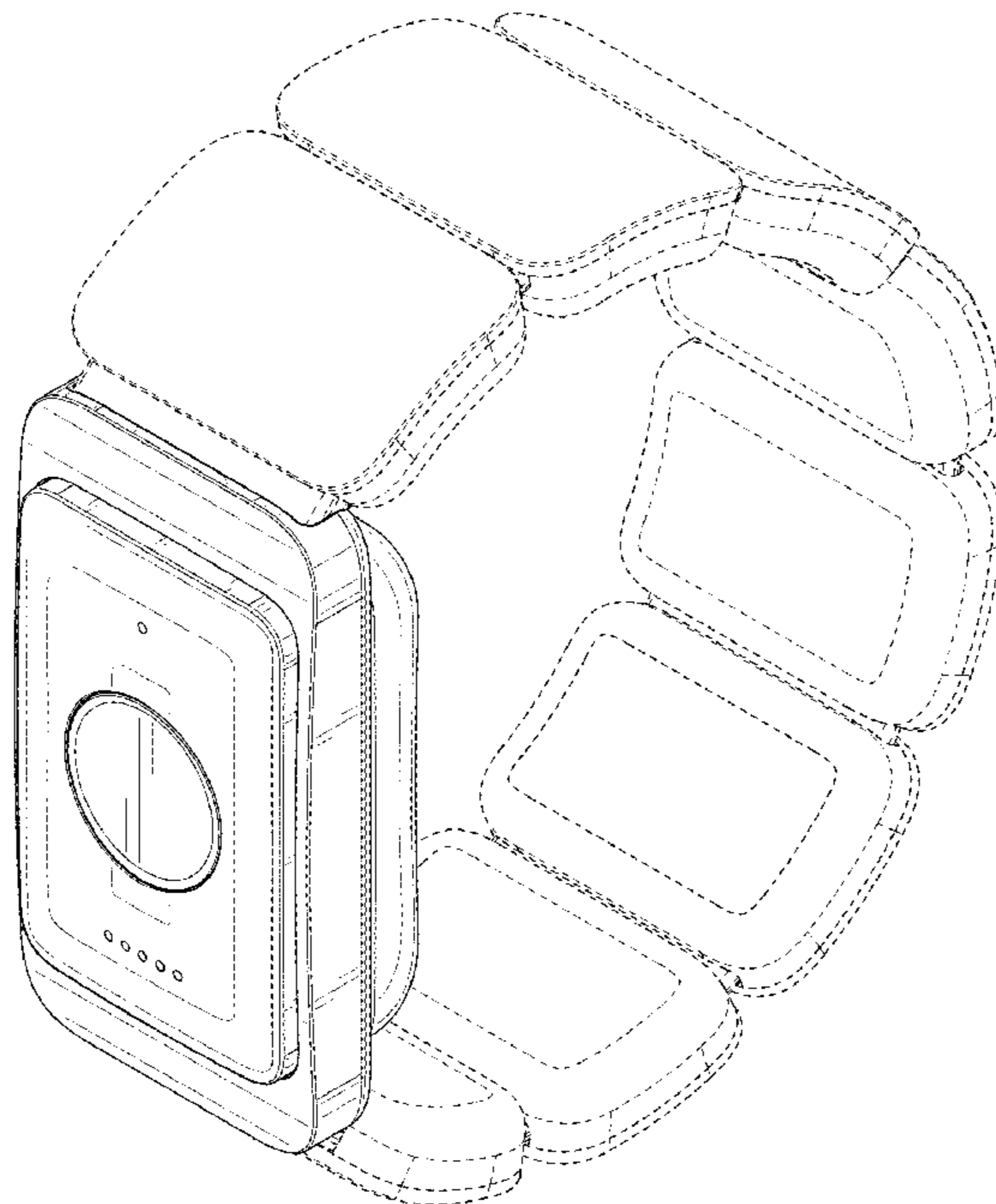
(57) **CLAIM**

The ornamental design for a device for remotely determining levels of healthcare interventions, as shown and described.

**DESCRIPTION**

FIG. 1 shows a front perspective view of the device; FIG. 2 shows a front view of the device; FIG. 3 shows a rear view of the device; FIG. 4 shows a first side view of the device; FIG. 5 shows a second side view of the device; FIG. 6 shows a top view of the device; FIG. 7 shows a bottom view of the device; and, FIG. 8 shows a rear perspective view of the device. The broken lines illustrate environmental structures and form no part of the claimed design.

**1 Claim, 8 Drawing Sheets**



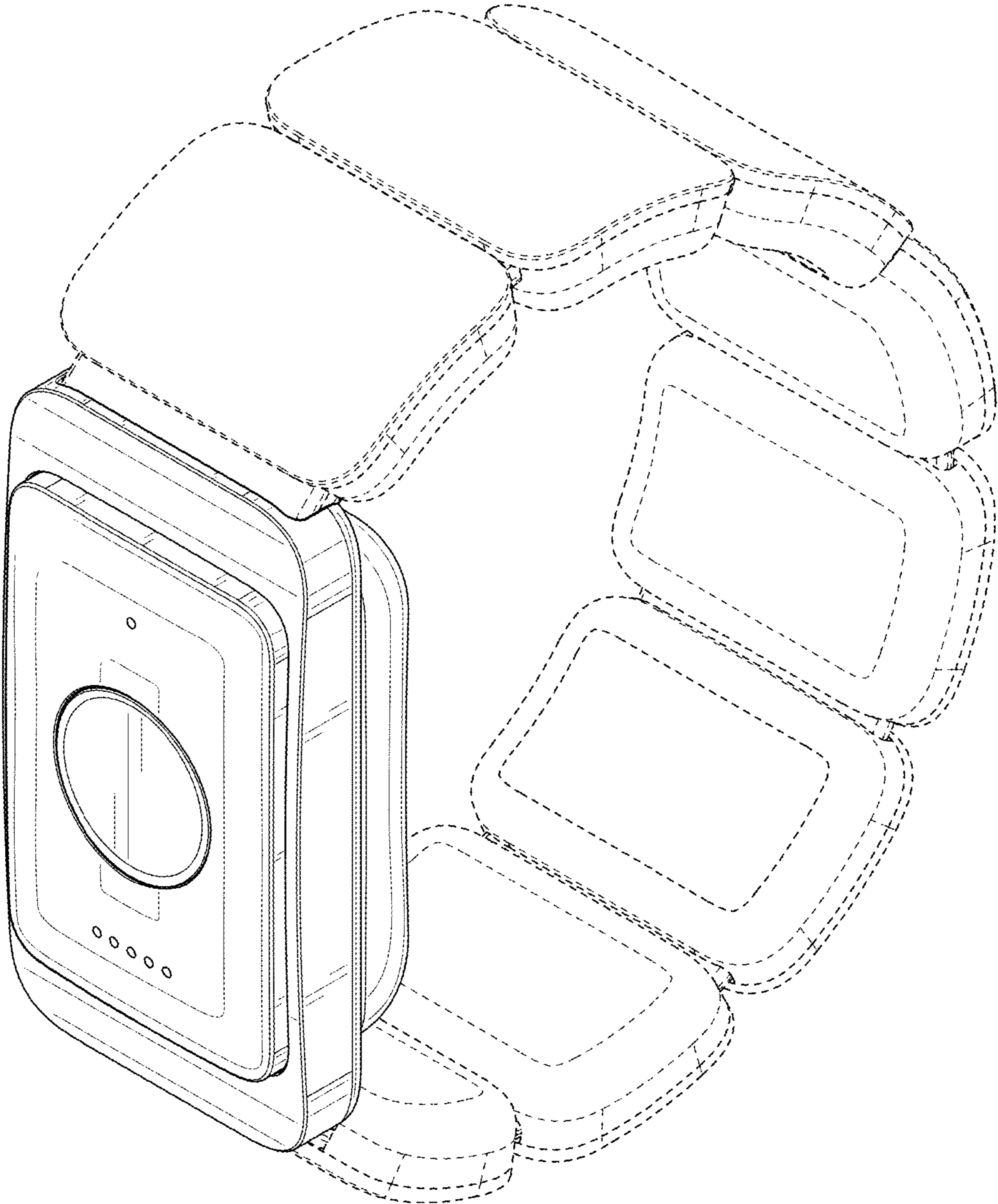


FIG. 1

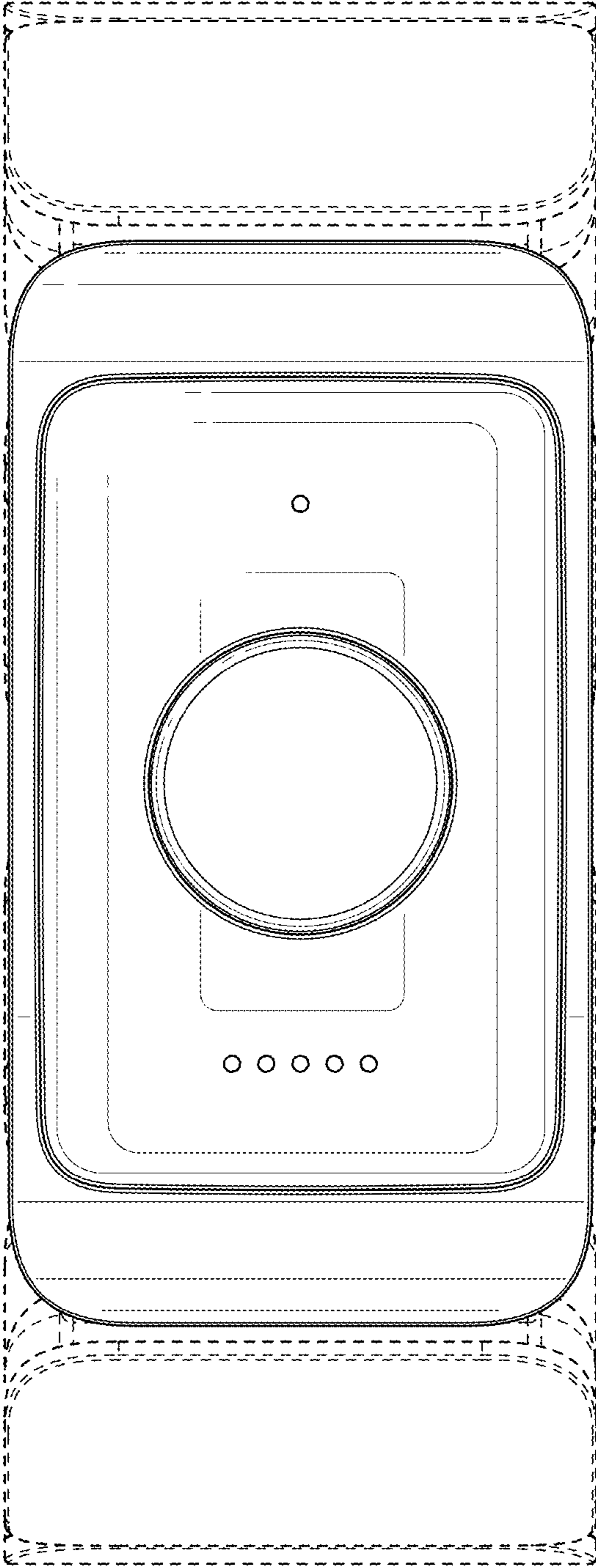


FIG. 2

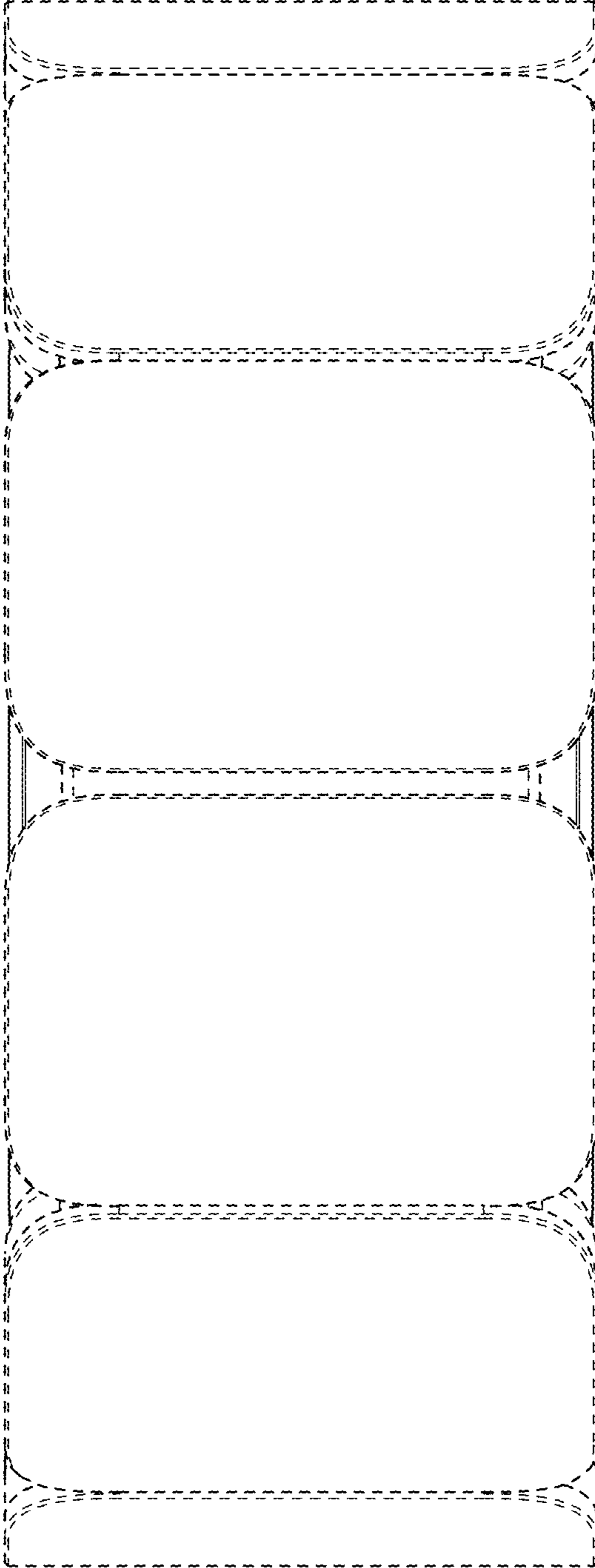


FIG. 3



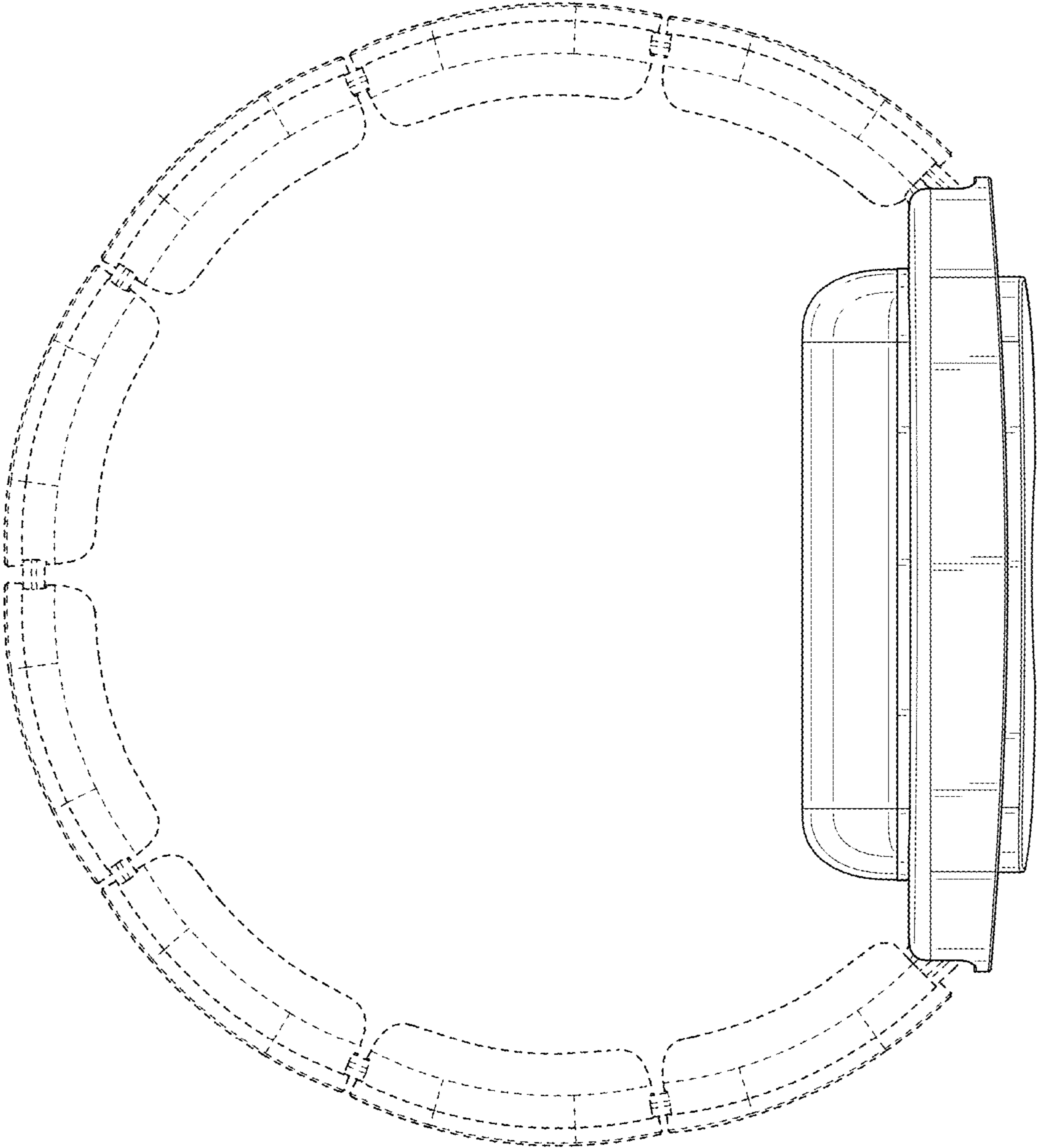


FIG. 4

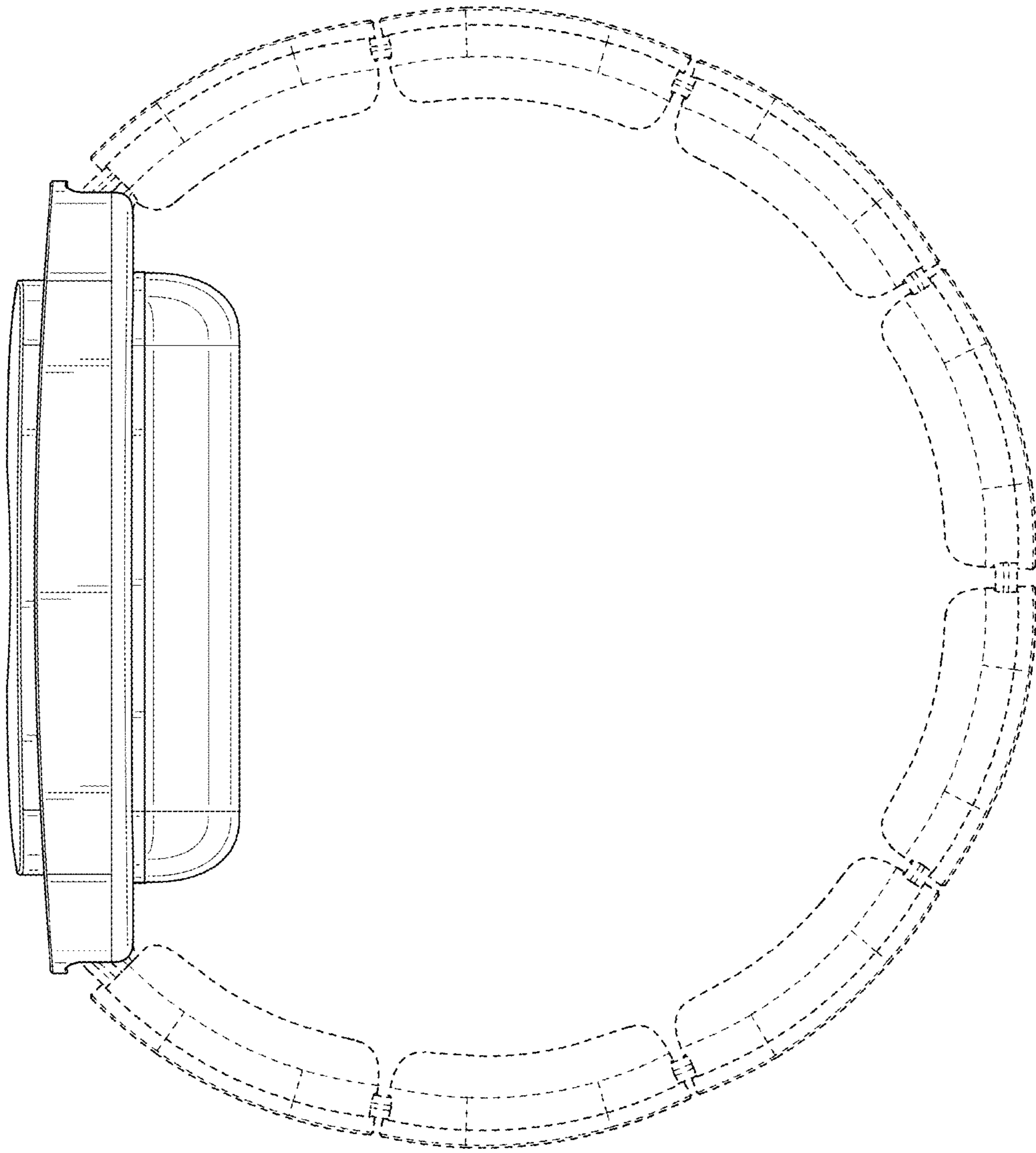


FIG. 5

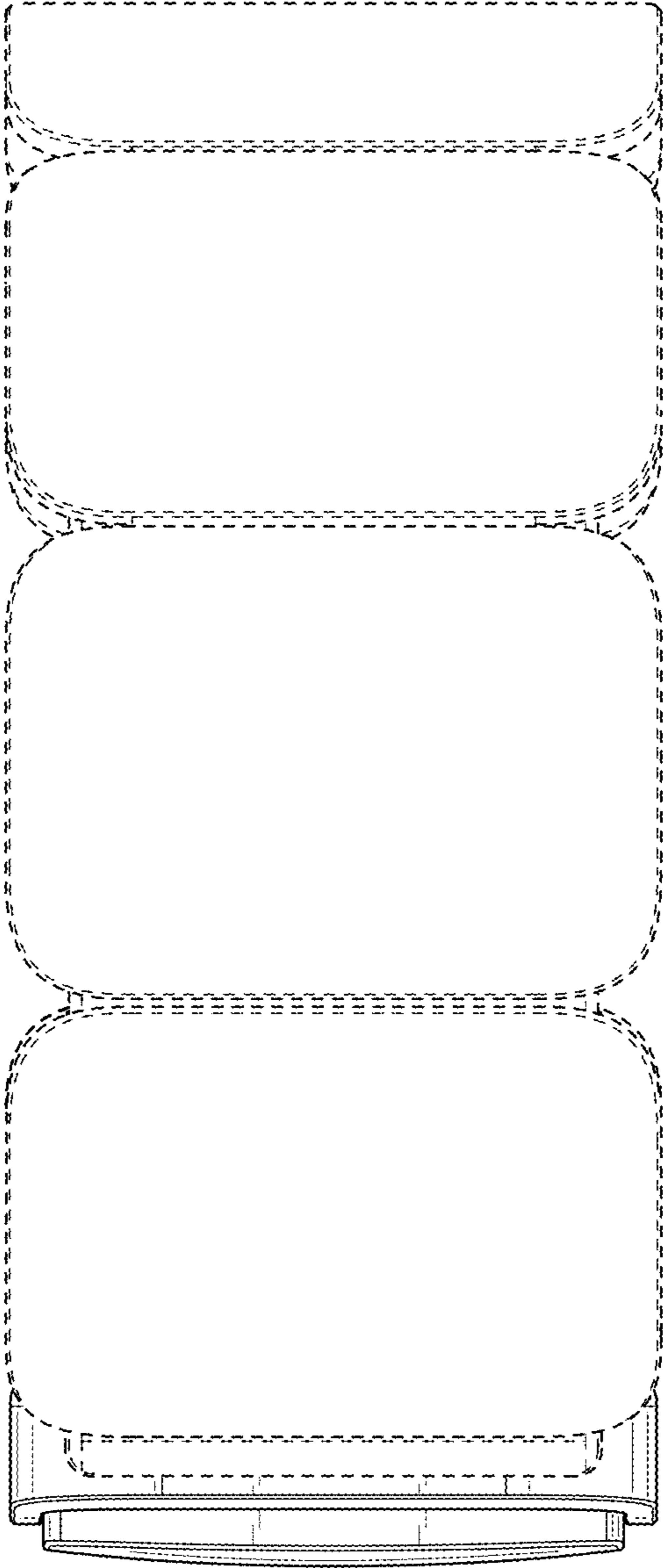


FIG. 6

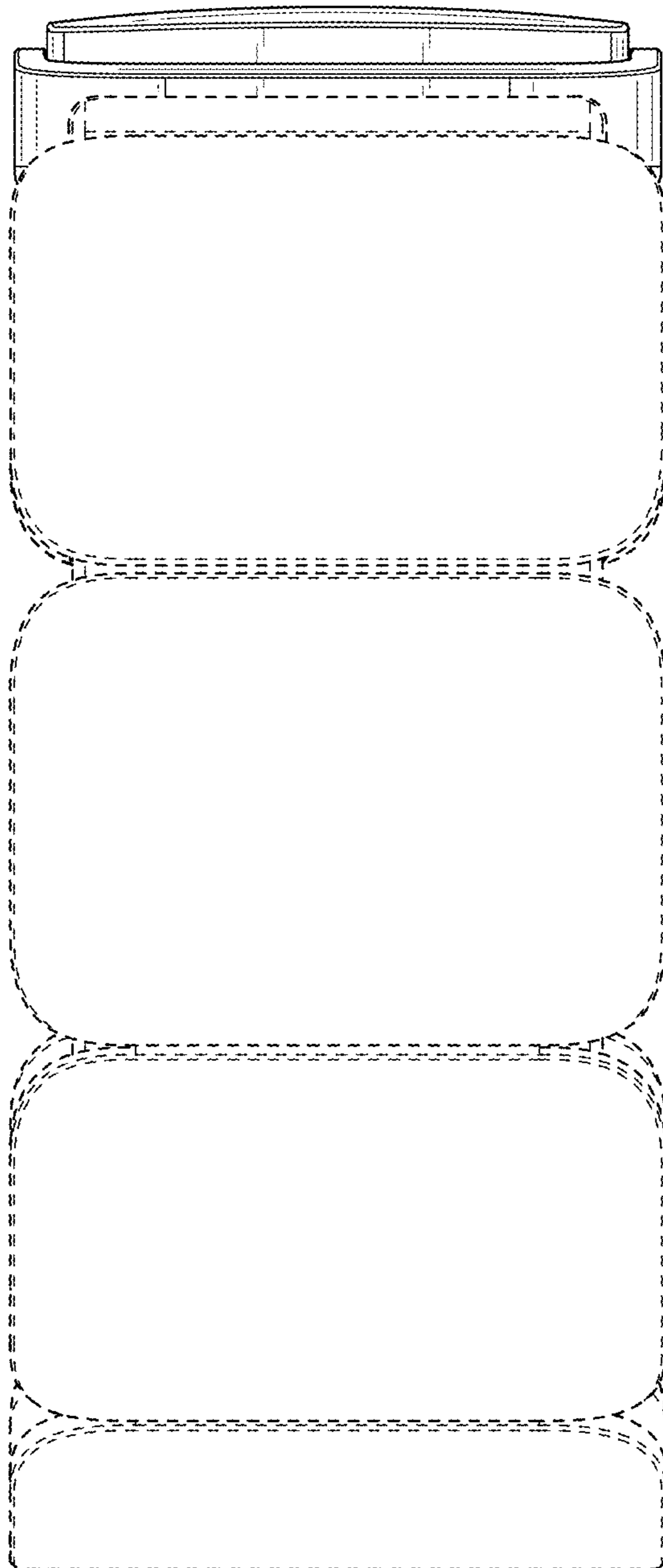


FIG. 7



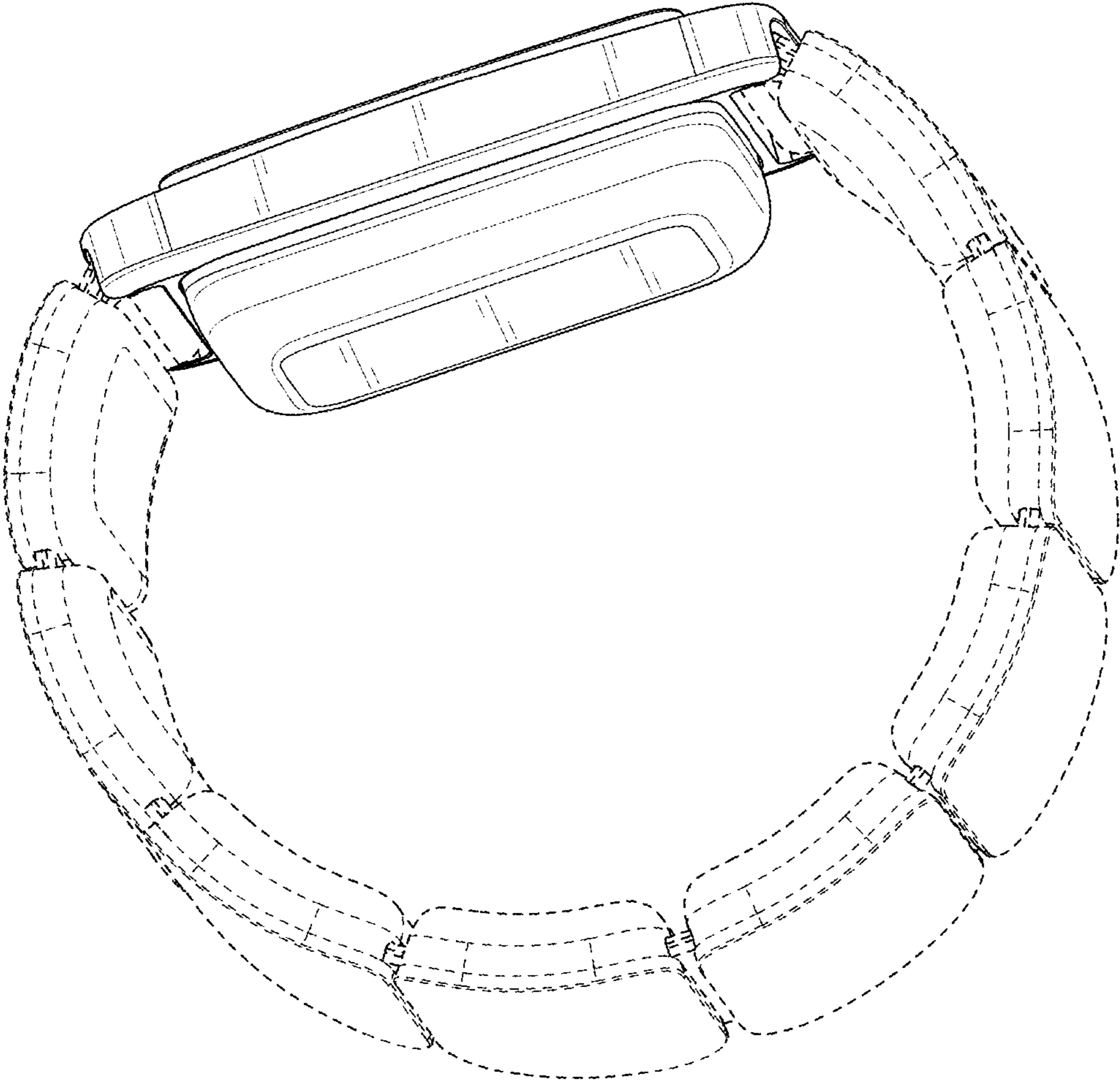


FIG. 8