



US00D771260S

(12) **United States Design Patent** (10) **Patent No.:** **US D771,260 S**
Jo et al. (45) **Date of Patent:** **** Nov. 8, 2016**

(54) **HEADSET FOR MEASURING BRAIN WAVES**

(56) **References Cited**

(71) Applicant: **Samsung Electronics Co., Ltd.**,
Suwon-si, Gyeonggi-do (KR)
(72) Inventors: **Hee Jae Jo**, Suwon-si (KR); **Se Hoon Lim**, Gwangju (KR); **Jun Hyung Park**, Seoul (KR); **Jang Beom Yang**, Gwangju (KR); **Jae Min Jung**, Seoul (KR); **Jun Ho Koh**, Suwon-si (KR); **Chang Hyun Lee**, Suwon-si (KR); **Yong Hyun Lim**, Suwon-si (KR); **Hae In Chun**, Daegu (KR)

U.S. PATENT DOCUMENTS

D687,152	S	*	7/2013	Tilk	D24/187
8,655,428	B2	*	2/2014	Pradeep	A61B 5/0476 600/383
8,706,182	B2	*	4/2014	Yamashita	A61B 5/0478 600/372
D747,495	S	*	1/2016	Attal	D24/186
D748,603	S	*	2/2016	Kwan	D14/205
D754,873	S	*	4/2016	Guger	D24/232
2007/0238945	A1	*	10/2007	Delic	A61B 5/0478 600/383

* cited by examiner

(73) Assignee: **Samsung Electronics Co., Ltd.**,
Suwon-Si, Gyeonggi-Do (KR)

Primary Examiner — Anhdao Doan

(74) *Attorney, Agent, or Firm* — Ladas & Parry LLP

(**) Term: **15 Years**

(57) **CLAIM**

We claim the ornamental design for the headset for measuring brain waves, as shown and described.

(21) Appl. No.: **29/531,355**

DESCRIPTION

(22) Filed: **Jun. 25, 2015**

(30) **Foreign Application Priority Data**

Jan. 5, 2015 (KR) 30-2015-0000265

(51) **LOC (10) Cl.** **24-02**

(52) **U.S. Cl.**
USPC **D24/186**

(58) **Field of Classification Search**
USPC D24/165–168, 186, 187, 110.1,
D24/174, 200, 231; D10/70, 98; D14/205,
D14/223
CPC A61B 5/6815; A61B 5/6816; A61B 5/6824;
A61B 5/6831; A61B 5/6832; A61B 5/02405;
A61B 5/02411; A61B 5/02427; A61B
5/02438; A61B 5/6803; A61B 5/6814;
A61B 2562/0204

See application file for complete search history.

FIG. 1 is the front perspective view of the headset for measuring brain waves showing our new design;
FIG. 2 is the front view thereof;
FIG. 3 is the rear view thereof;
FIG. 4 is the left-side view thereof;
FIG. 5 is the right-side view thereof;
FIG. 6 is the top plan view thereof;
FIG. 7 is the bottom plan view thereof;
FIG. 8 is the partially enlarged view of FIG. 1; and,
FIG. 9 is the bottom perspective view thereof.
The broken lines in the drawing show unclaimed environment only and form no part of the claimed design.
The dot-dash broken lines encircling portions of the claimed design that are illustrated in enlargements form no part of the claimed design.

1 Claim, 9 Drawing Sheets

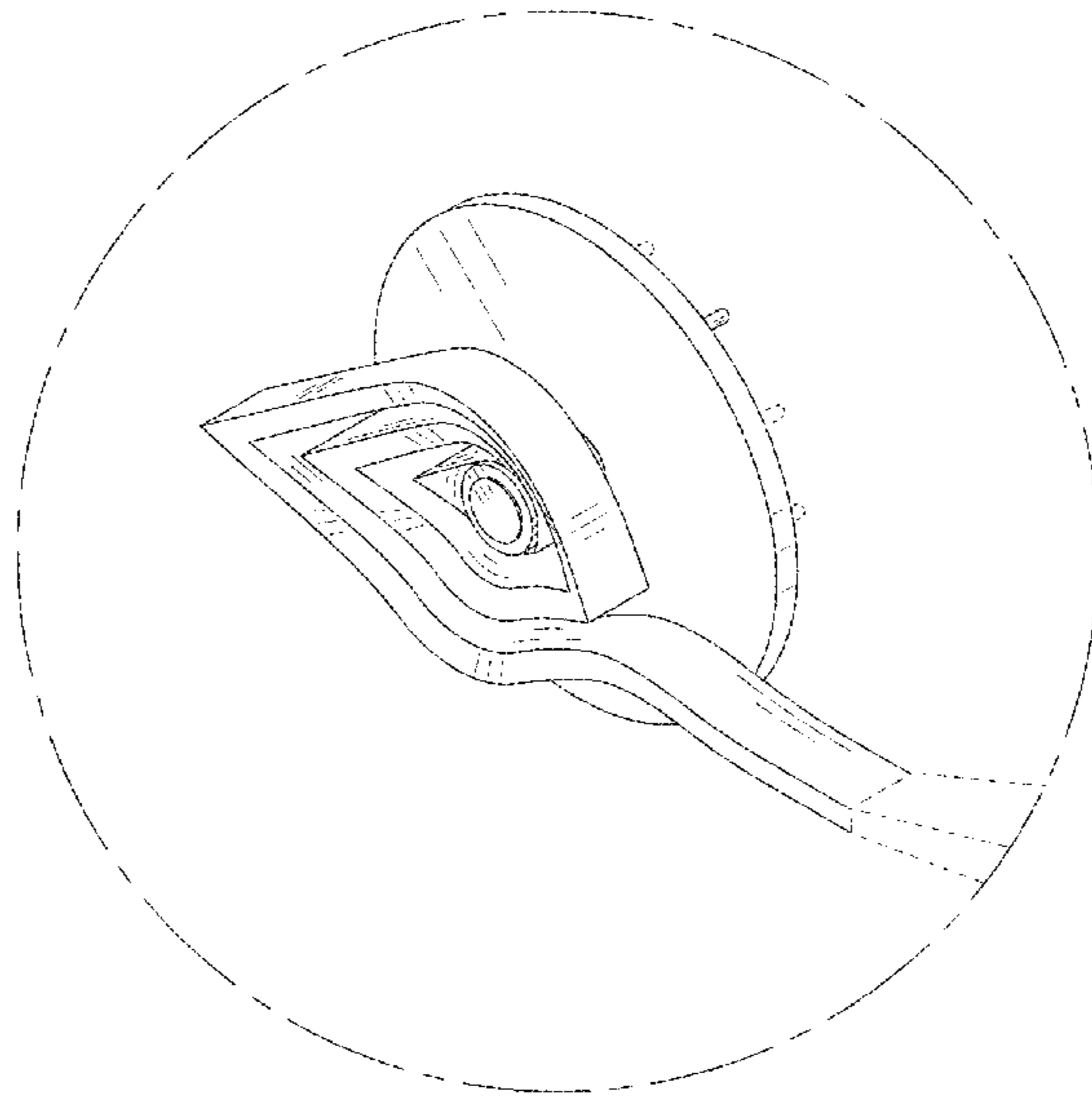


FIG. 1

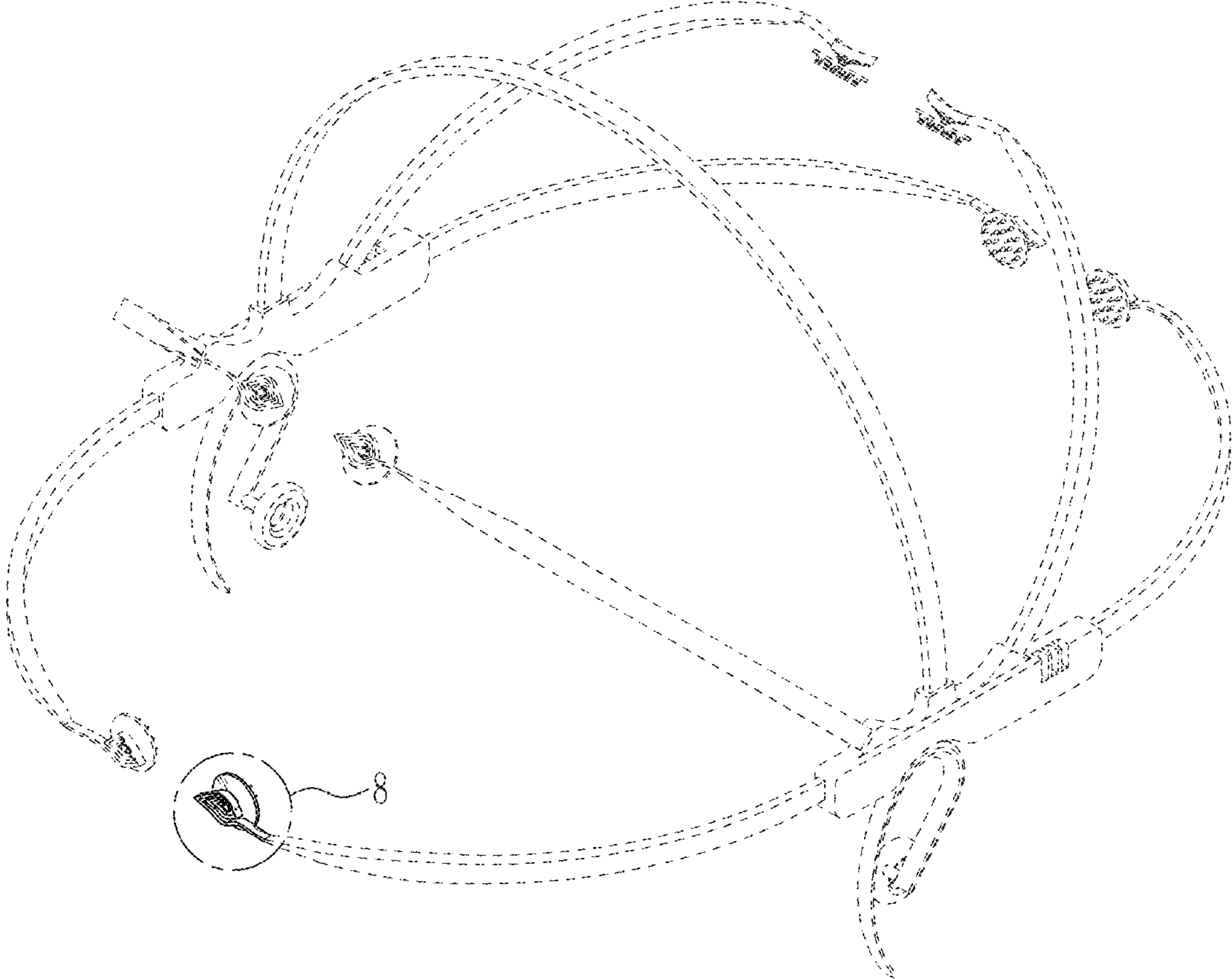


FIG. 2

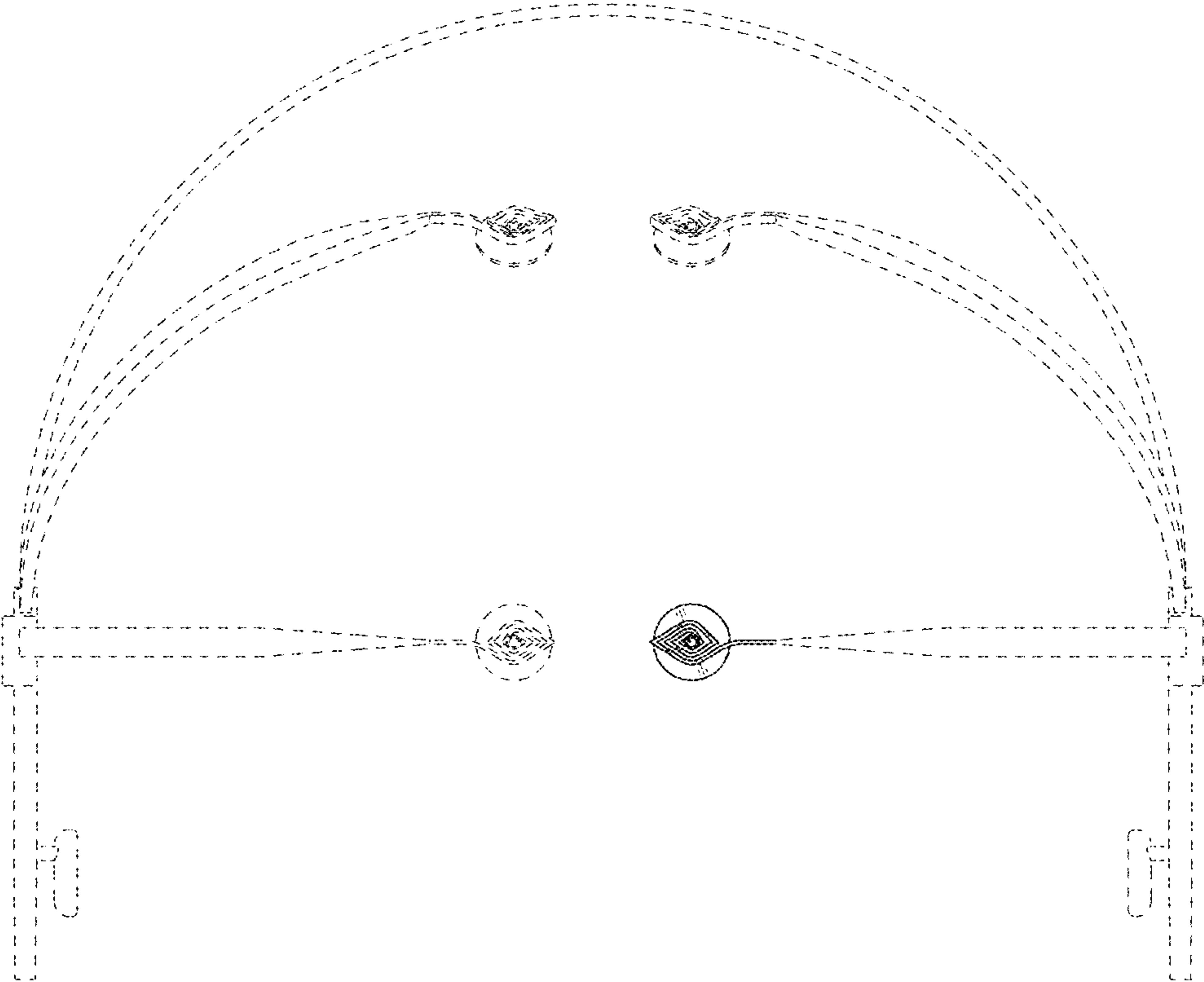


FIG. 3

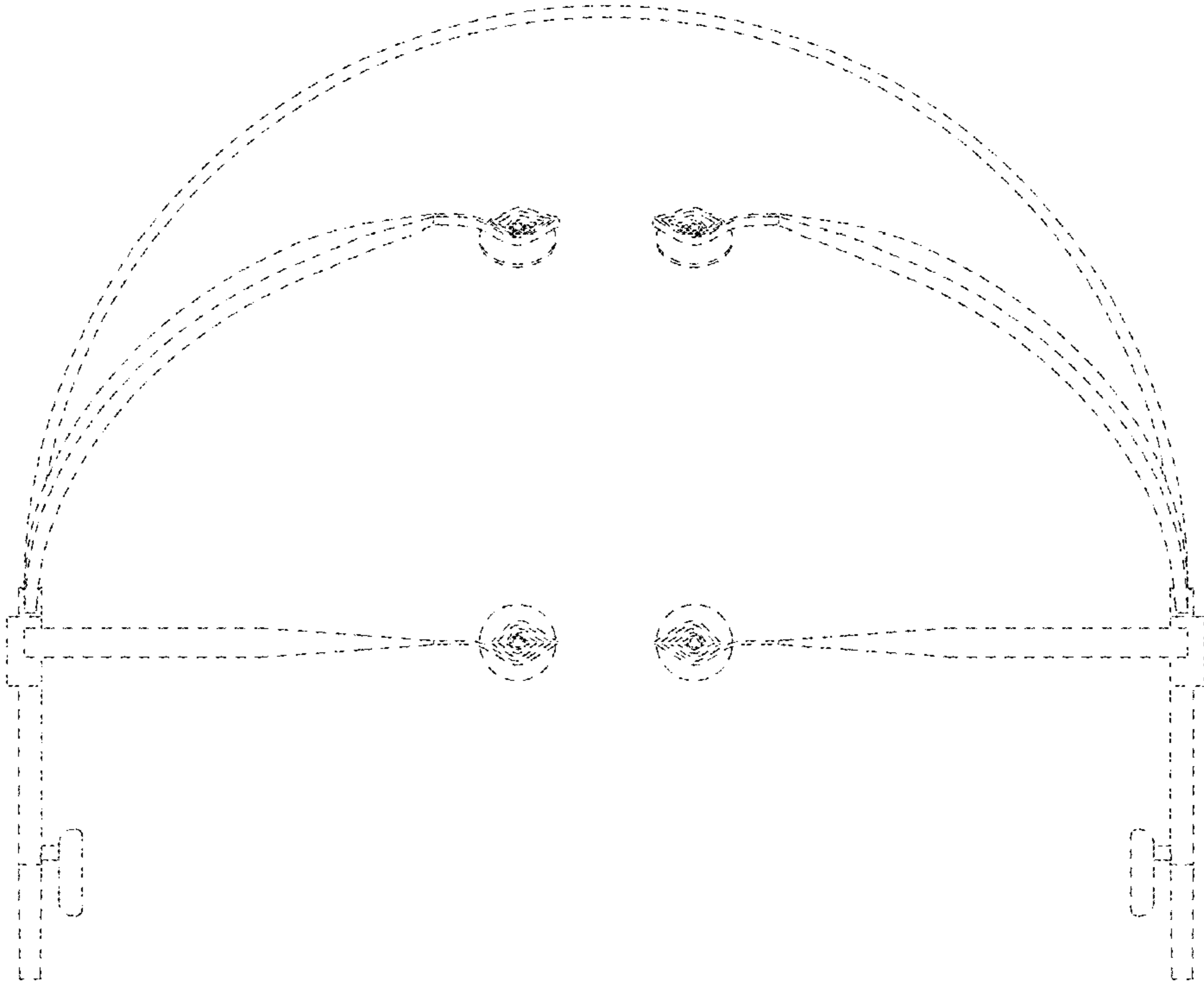


FIG. 4

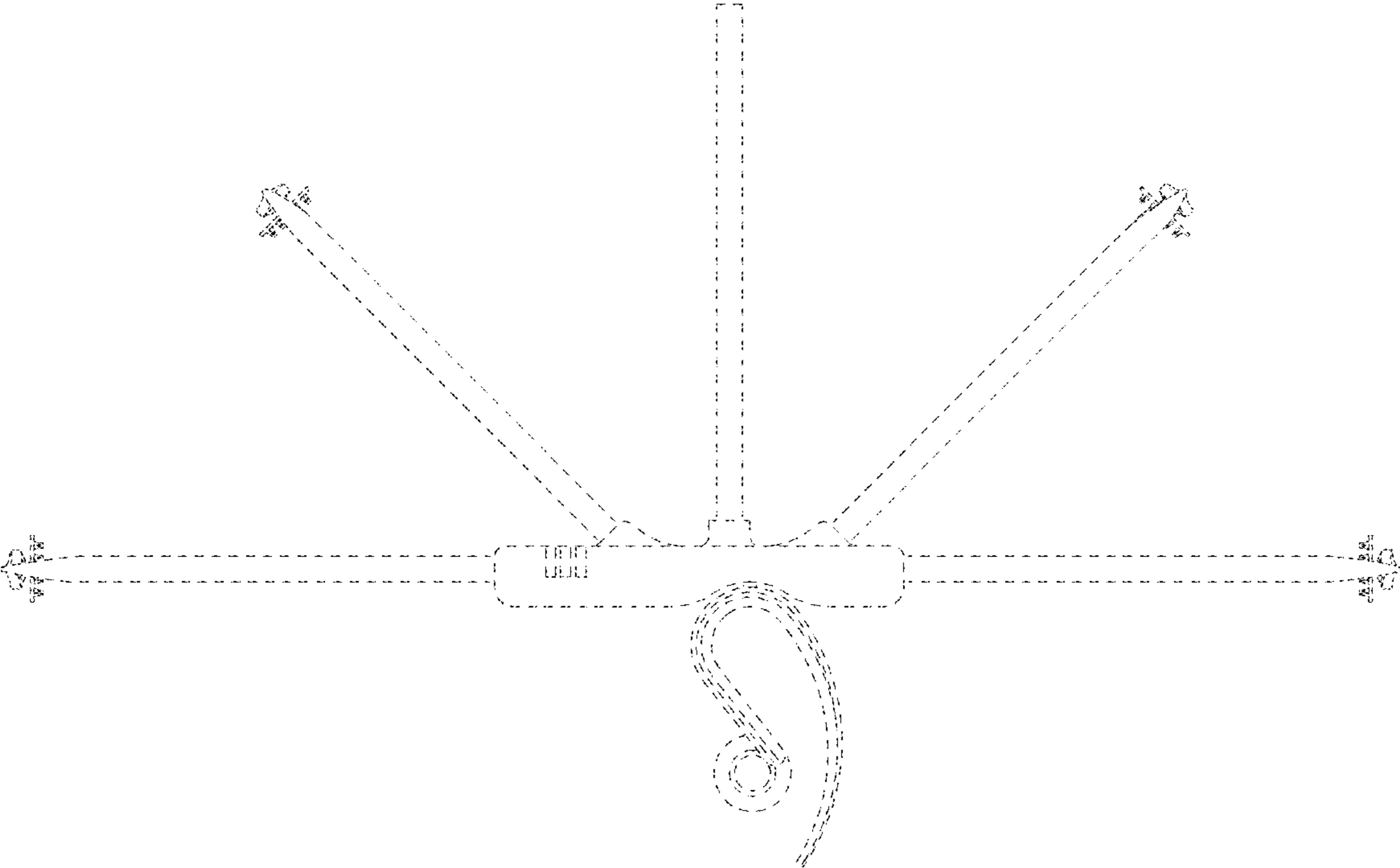


FIG. 5

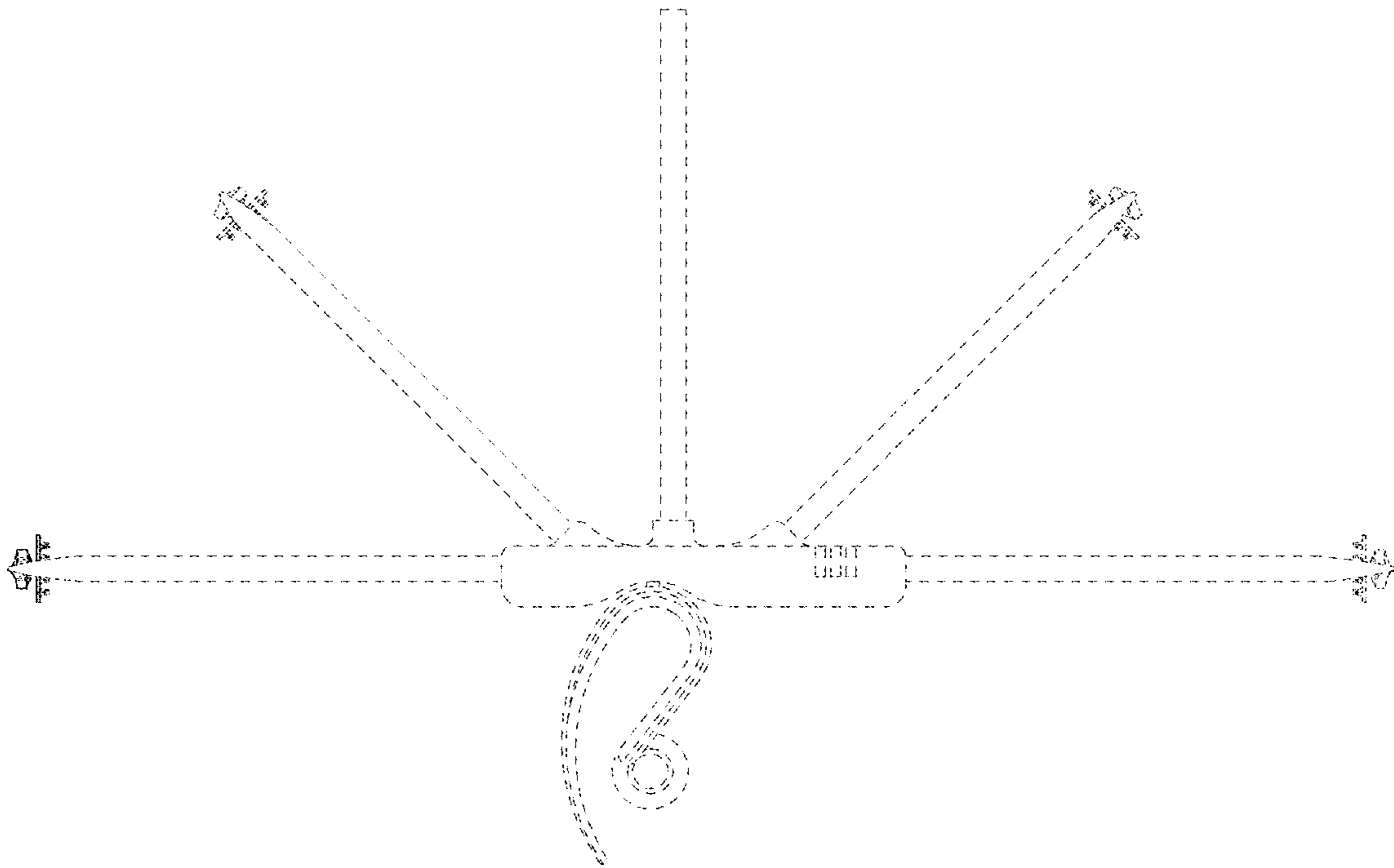


FIG. 6

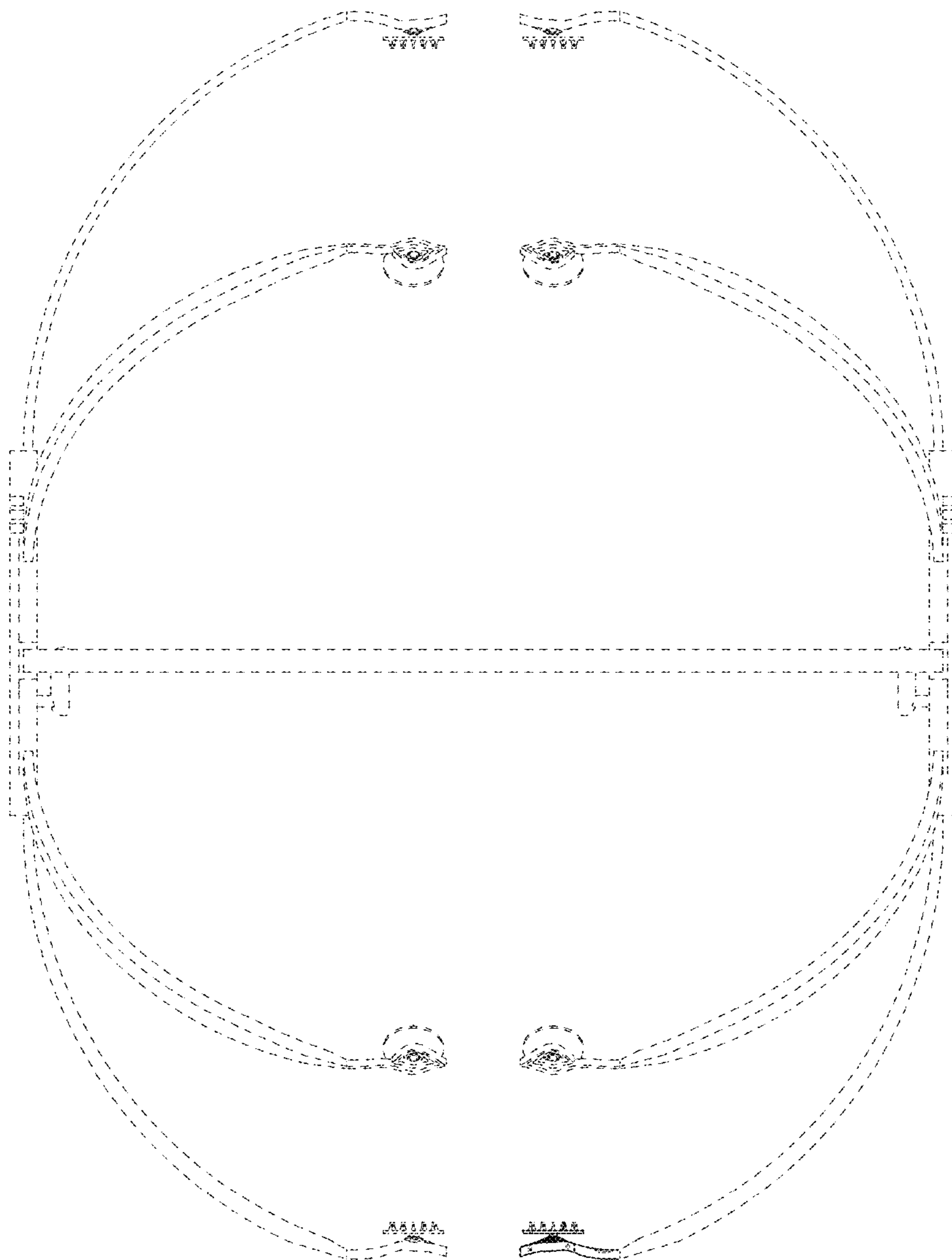


FIG. 7

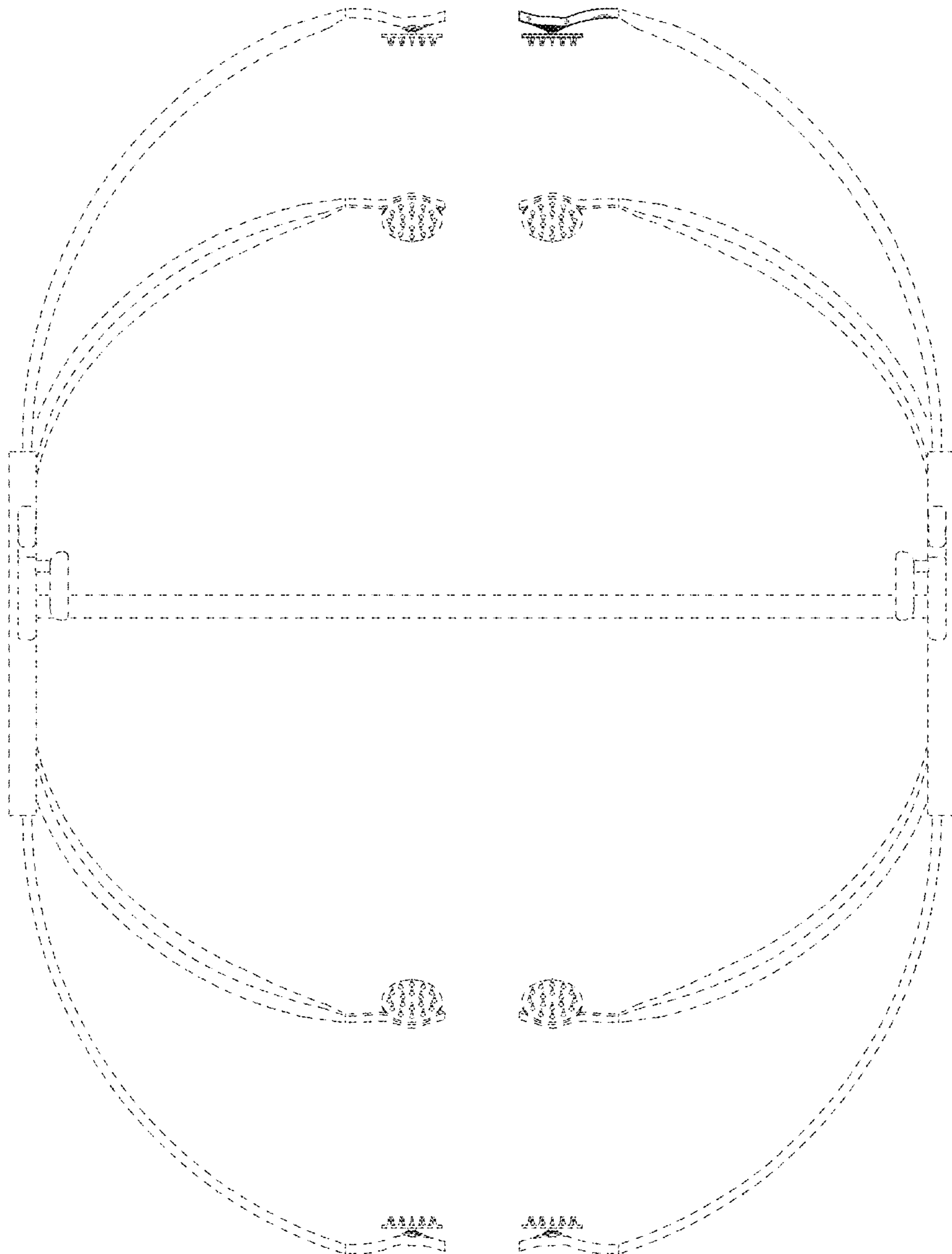


FIG. 8

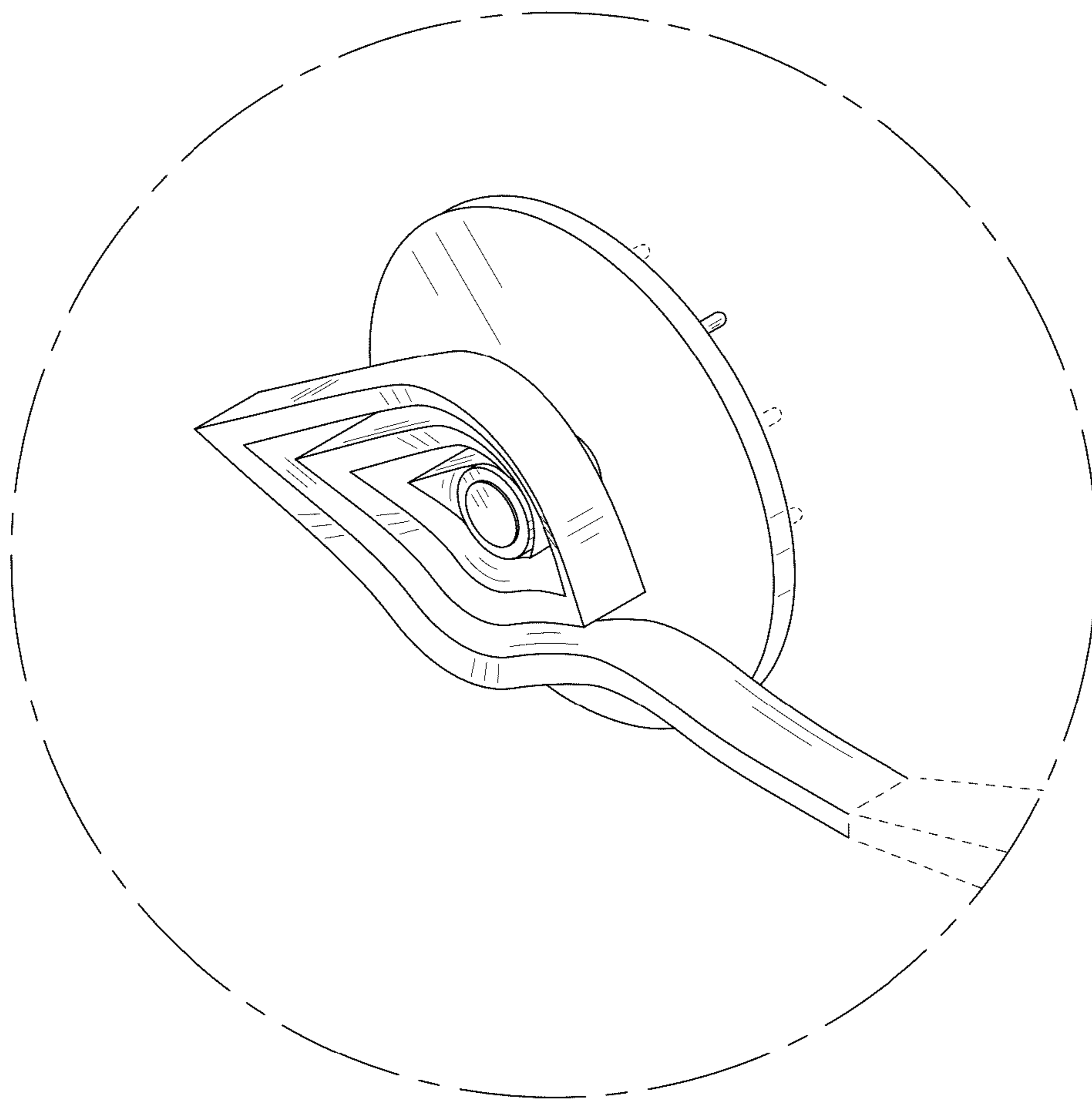


FIG. 9

