



US00D771258S

(12) **United States Design Patent**
Ballsieper

(10) **Patent No.:** **US D771,258 S**

(45) **Date of Patent:** **** Nov. 8, 2016**

(54) **DEVICE FOR PROTECTION AGAINST X-RAYS**

4,196,355 A 4/1980 Maine
D259,139 S 5/1981 Johnson
4,286,170 A 8/1981 Moti
4,581,538 A * 4/1986 Lenhart G21F 3/00
250/515.1

(71) Applicant: **MAVIG GmbH**, München (DE)

4,715,366 A 12/1987 Teeple

(72) Inventor: **Barbara Ballsieper**, München (DE)

(Continued)

(73) Assignee: **MAVIG GmbH**, Munich (DE)

FOREIGN PATENT DOCUMENTS

(**) Term: **15 Years**

DE 33 26 880 A1 2/1985
FR 1164093 10/1958
WO WO 2015/018240 A1 2/2015

(21) Appl. No.: **29/552,218**

(22) Filed: **Jan. 21, 2016**

OTHER PUBLICATIONS

Related U.S. Application Data

Radiation Protection Shields & Drapes of the company Radpad, USA (www.radpad.com), 3 pages.

(62) Division of application No. 29/502,311, filed on Sep. 15, 2014, now Pat. No. Des. 748,265, which is a division of application No. 29/466,485, filed on Sep. 9, 2013, now Pat. No. Des. 716,449.

(Continued)

Primary Examiner — Anhdao Doan

(30) **Foreign Application Priority Data**

(74) *Attorney, Agent, or Firm* — Nixon & Vanderhye P.C.

Mar. 12, 2013 (EM) 2201202-0001-0005

(51) **LOC (10) Cl.** **24-01**

(57) **CLAIM**

(52) **U.S. Cl.**
USPC **D24/158**

The ornamental design for a device for protection against X-rays, as shown and described.

(58) **Field of Classification Search**

DESCRIPTION

USPC D24/158-161, 231; D29/100, 101.1;
D2/860, 861

FIG. 1 is a top perspective view of a device for protection against X-rays according to my design;

CPC A61B 6/107; G21F 3/00; G21F 3/02;
G21Y 2004/30; A61N 2005/1094

FIG. 2 is a bottom perspective view thereof;

See application file for complete search history.

FIG. 3 is a front view thereof;

(56) **References Cited**

FIG. 4 is a rear view thereof;

U.S. PATENT DOCUMENTS

FIG. 5 is a top view thereof;

3,909,847 A 10/1975 Holt
D238,615 S 1/1976 Maler
D241,378 S 9/1976 Burger
D249,278 S 9/1978 Milligan

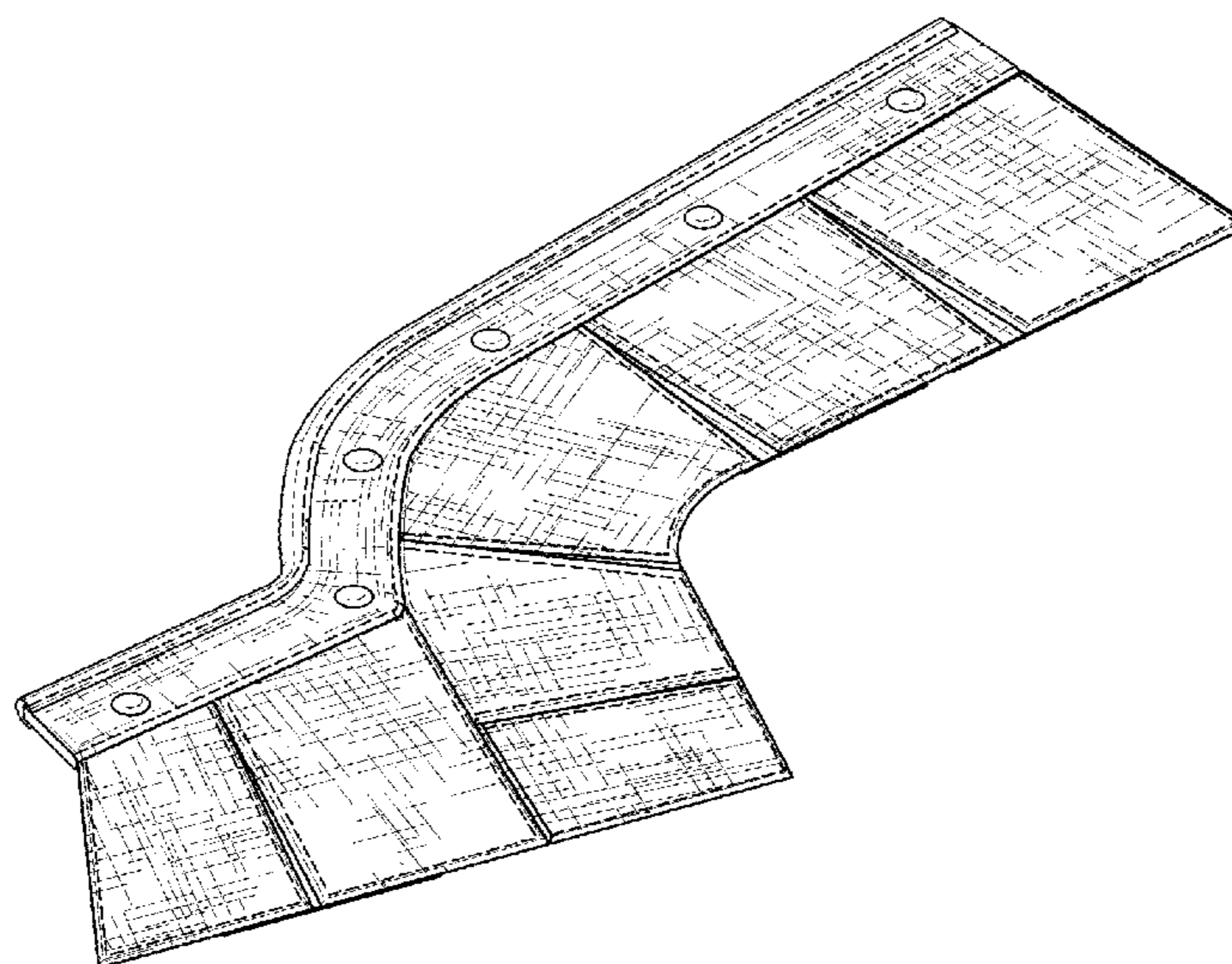
FIG. 6 is a bottom view thereof;

FIG. 7 is a right side view thereof; and,

FIG. 8 is a left side view thereof.

The broken lines depicting stitching are directed to environment and are for illustrative purpose only. The broken lines form no part of the claimed design.

1 Claim, 3 Drawing Sheets



(56)

References Cited

U.S. PATENT DOCUMENTS

D300,945 S 5/1989 Fleming et al.
 4,923,162 A 5/1990 Fleming et al.
 D310,905 S 10/1990 Marchione
 D358,473 S 5/1995 Taylor
 D424,198 S 5/2000 Shepherd et al.
 D457,689 S 5/2002 Griffiths
 6,481,888 B1 * 11/2002 Morgan A61B 6/107
 250/515.1
 D480,868 S * 10/2003 Fulbright D3/228
 6,779,767 B2 8/2004 Kuhn
 7,099,427 B2 * 8/2006 Cadwalader A61B 6/107
 250/515.1
 D556,324 S 11/2007 Oddsdottir et al.
 7,294,845 B2 11/2007 Ballsieper
 7,608,847 B2 10/2009 Rees
 D629,109 S 12/2010 Phillips
 D629,110 S 12/2010 Brettle et al.

D716,449 S 10/2014 Ballsieper
 D751,256 S 3/2016 Pizarro
 D751,710 S 3/2016 Ballsieper
 2010/0296618 A1 * 11/2010 Sejvar G21F 3/00
 376/293
 2014/0048730 A1 * 2/2014 Niedzielski A61B 6/107
 250/519.1
 2014/0151584 A1 6/2014 Khandkar et al.

OTHER PUBLICATIONS

Radiation Protection Covers, Kenex, Great Britain, www.kenex.co.uk.
 Radiation Protection Covers, Aadco, U.S.A., www.aadcomed.com.
 Radiation Protection Covers, Beijing Huaren, China, bjuaren.com.
 Radiation Protection Covers, Mavig, USA.
 U.S. Appl. No. 29/466,485, filed Sep. 9, 2013, Ballsieper.
 U.S. Appl. No. 29/502,311, filed Sep. 15, 2015, Ballsieper.

* cited by examiner

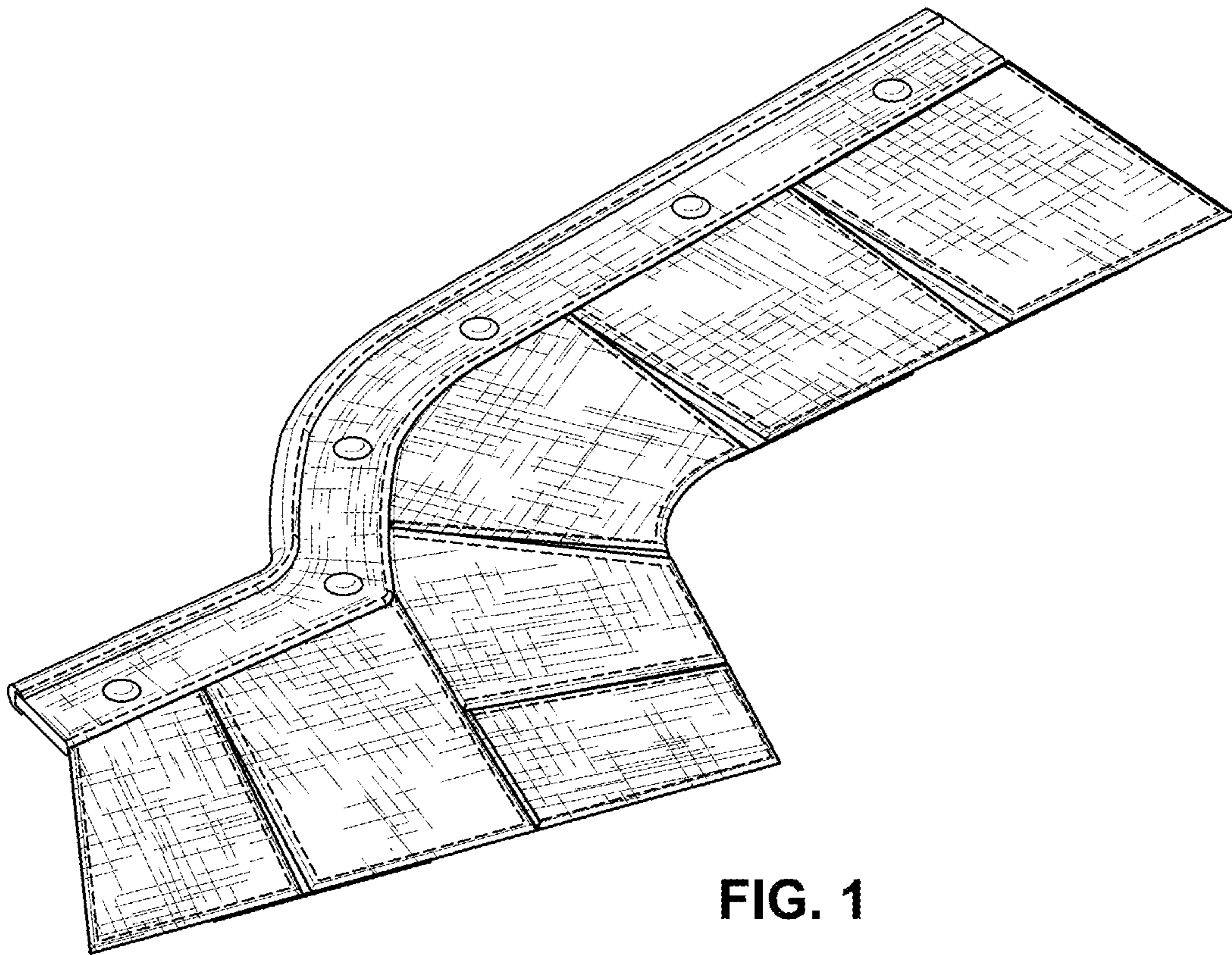


FIG. 1

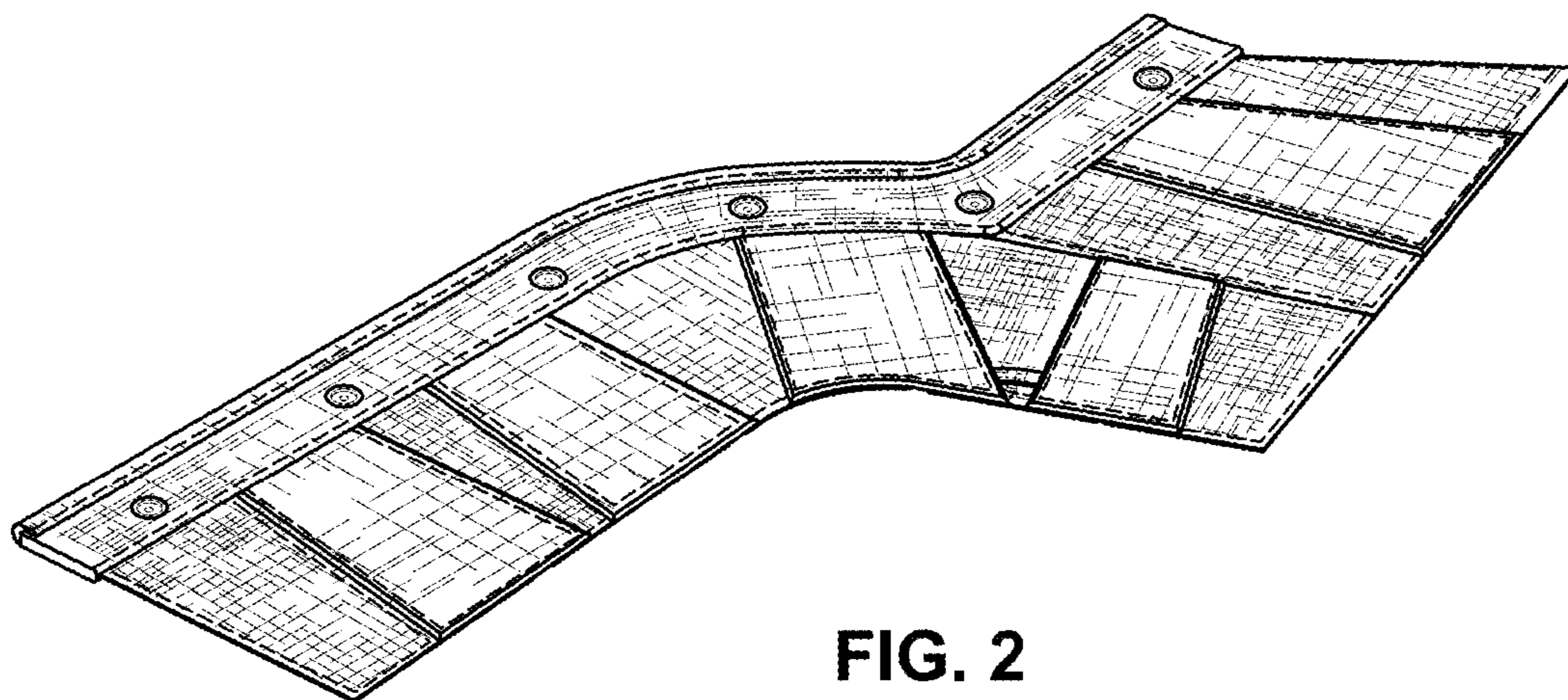


FIG. 2



FIG. 3

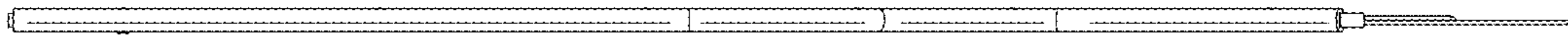


FIG. 4

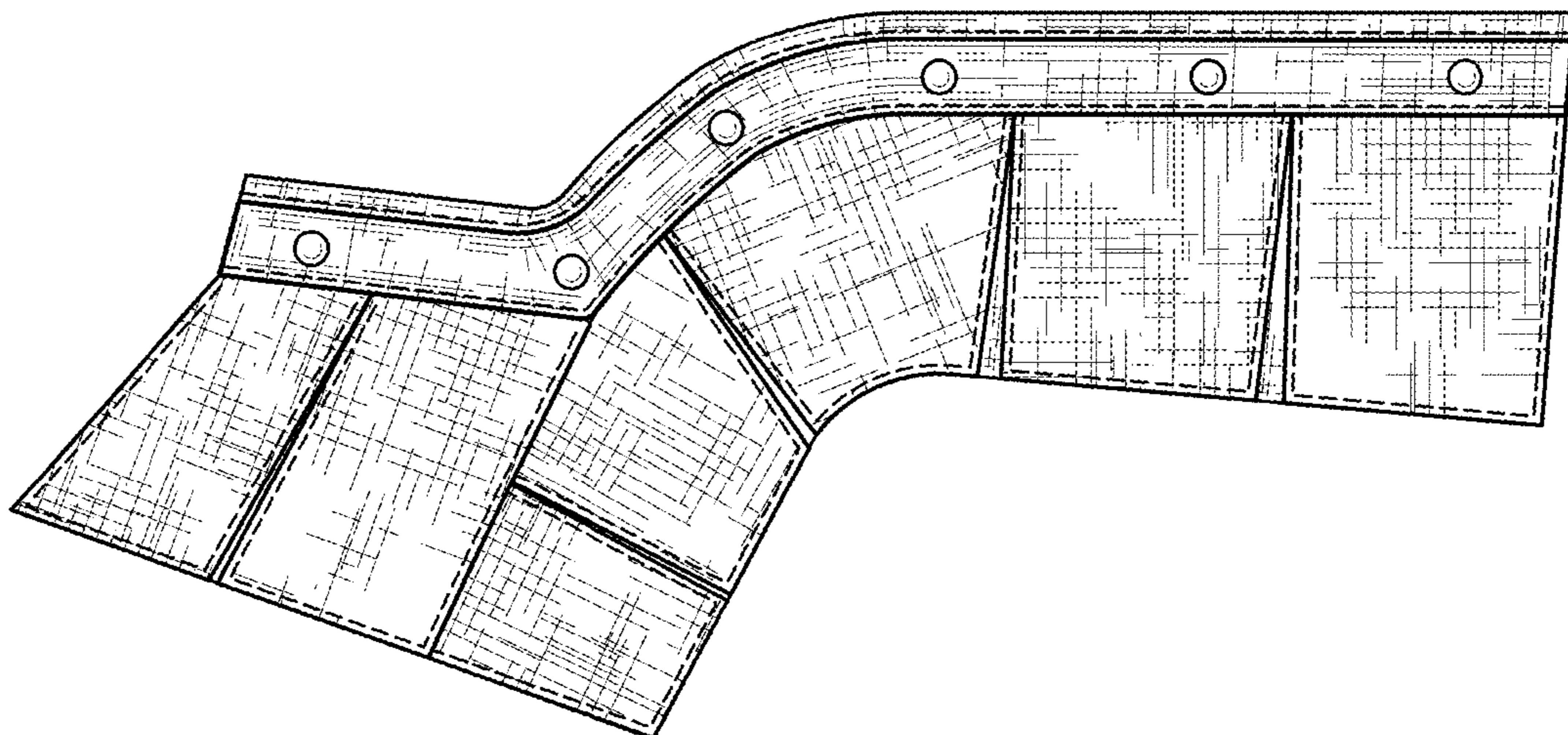


FIG. 5

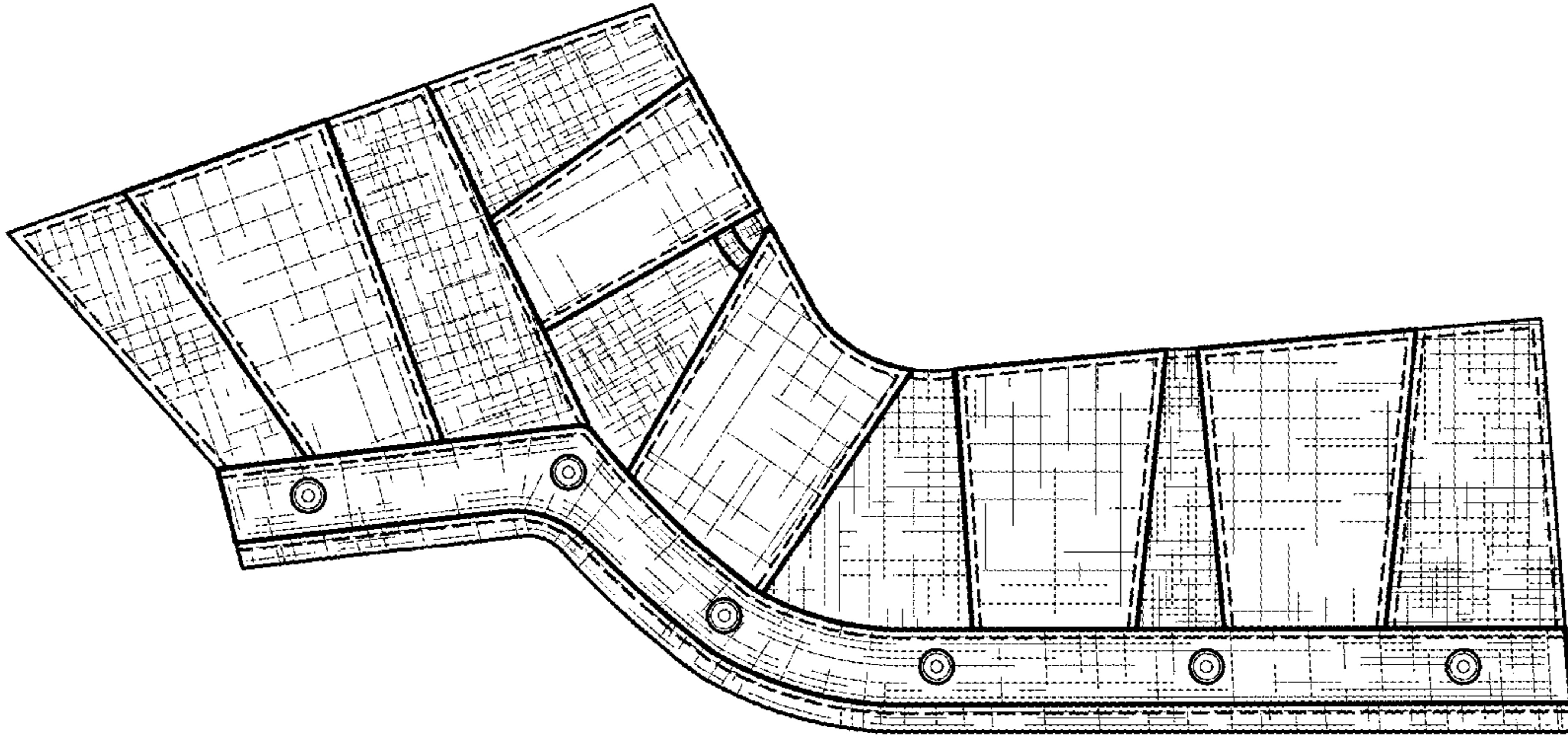


FIG. 6

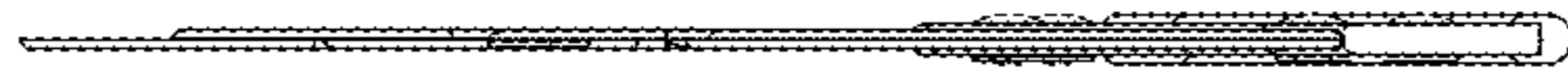


FIG. 7

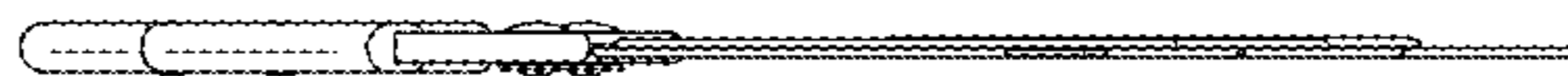


FIG. 8