



US00D771257S

(12) **United States Design Patent** (10) **Patent No.:** **US D771,257 S**
Spycher et al. (45) **Date of Patent:** **** Nov. 8, 2016**

(54) **SHAVER HANDPIECE**
(71) Applicant: **KARL STORZ GmbH & Co. KG**,
Tuttlingen (DE)
(72) Inventors: **Raphael Spycher**, Eschenz (CH);
Fabian Zimmerli, Zurich (CH)
(73) Assignee: **KARL STORZ GmbH & Co. KG**,
Tuttlingen (DE)

8,591,509 B2 * 11/2013 Fry A61B 18/1402
606/42
D737,217 S * 8/2015 Leidolt D13/153
D753,822 S * 4/2016 Teufel D24/138
D757,262 S * 5/2016 Barki D24/138
D757,263 S * 5/2016 Hofer D24/138
D757,264 S * 5/2016 Eisenlauer D24/138
D757,265 S * 5/2016 Eisenlauer D24/138
9,345,490 B2 * 5/2016 Ippisch A61B 17/1626

(**) Term: **15 Years**
(21) Appl. No.: **29/530,491**
(22) Filed: **Jun. 17, 2015**

(30) **Foreign Application Priority Data**

Dec. 18, 2014 (EM) 002601047-0001

(51) **LOC (10) Cl.** **24-02**

(52) **U.S. Cl.**
USPC **D24/146**

(58) **Field of Classification Search**
USPC D24/108, 111, 112, 113, 129, 130, 133,
D24/146, 147; 606/1, 27, 67, 80, 169, 170,
606/171, 172, 174; 200/302.2, 512, 516
See application file for complete search history.

(56) **References Cited**

U.S. PATENT DOCUMENTS

6,500,169 B1 12/2002 Deng
7,156,842 B2 * 1/2007 Sartor A61B 18/1402
606/37
7,503,917 B2 * 3/2009 Sartor A61B 18/1402
606/34
8,115,126 B2 2/2012 Deng et al.
D674,082 S * 1/2013 Efinger D24/108
8,460,289 B2 * 6/2013 Sartor A61B 18/1402
606/45
8,506,565 B2 * 8/2013 DeCarlo A61B 18/1402
606/42

OTHER PUBLICATIONS

Karl Storz, "Unidrive S III Arthro: Your Complete Solution to Arthroscopy," pp. 1-16 (Jul. 2012).

* cited by examiner

Primary Examiner — Ian Simmons

Assistant Examiner — Samantha Q Lawrence

(74) *Attorney, Agent, or Firm* — Muncy, Geissler, Olds & Lowe, P.C.

(57) **CLAIM**

The ornamental design for a shaver handpiece, as shown and described.

DESCRIPTION

FIG. 1 is a front perspective view of a shaver handpiece according to the present invention.

FIG. 2 is a side perspective view of the shaver handpiece of FIG. 1.

FIG. 3 is a left side view of the shaver handpiece of FIG. 1.

FIG. 4 is a right side view of the shaver handpiece of FIG. 1.

FIG. 5 is a front view of the shaver handpiece of FIG. 1.

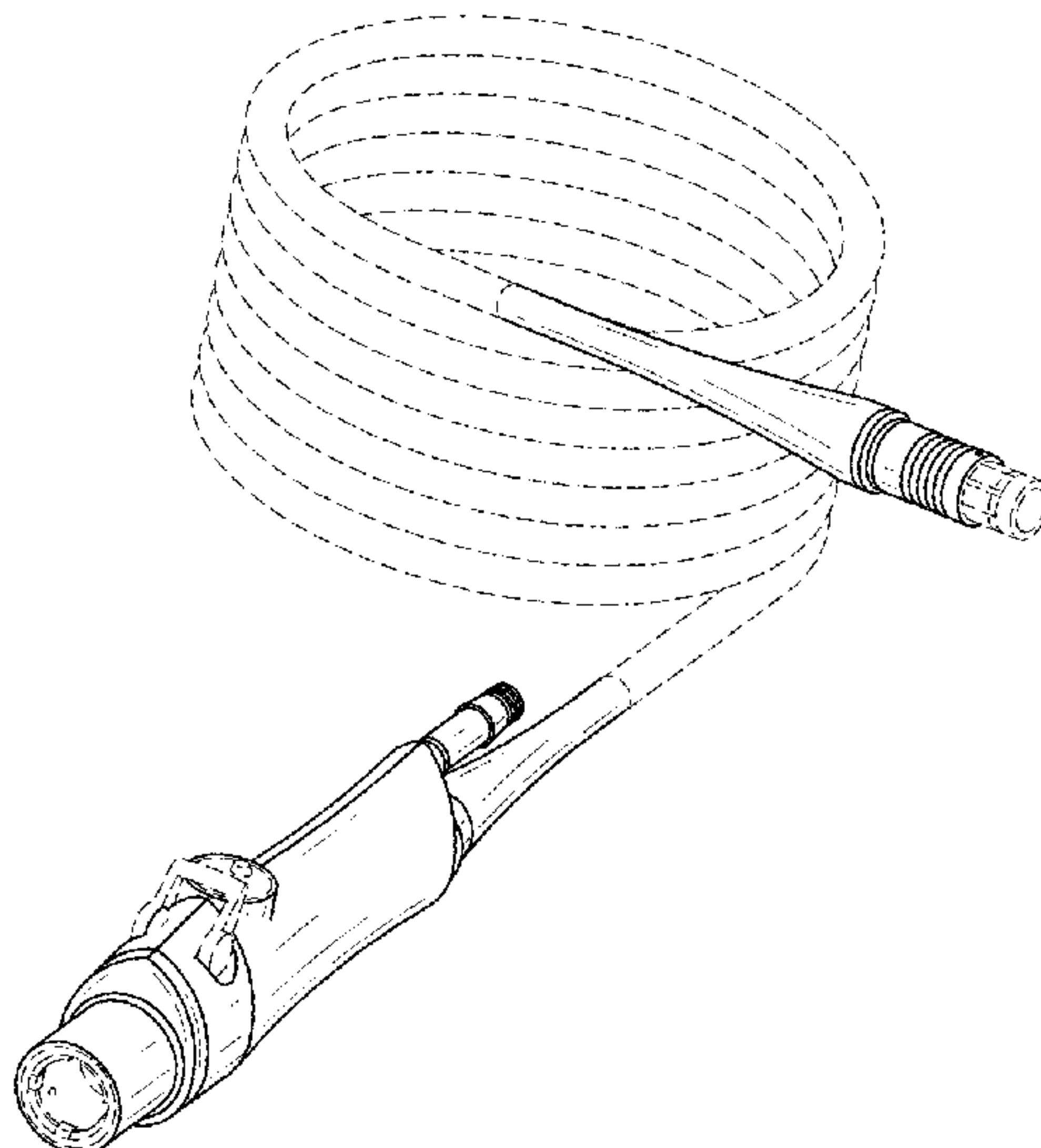
FIG. 6 is a rear view of the shaver handpiece of FIG. 1.

FIG. 7 is a top view of the shaver handpiece of FIG. 1; and,

FIG. 8 is a bottom view of the shaver handpiece of FIG. 1.

The broken lines shown in FIGS. 1-8 illustrate portions of the shaver handpiece that form no part of the claimed design.

1 Claim, 8 Drawing Sheets



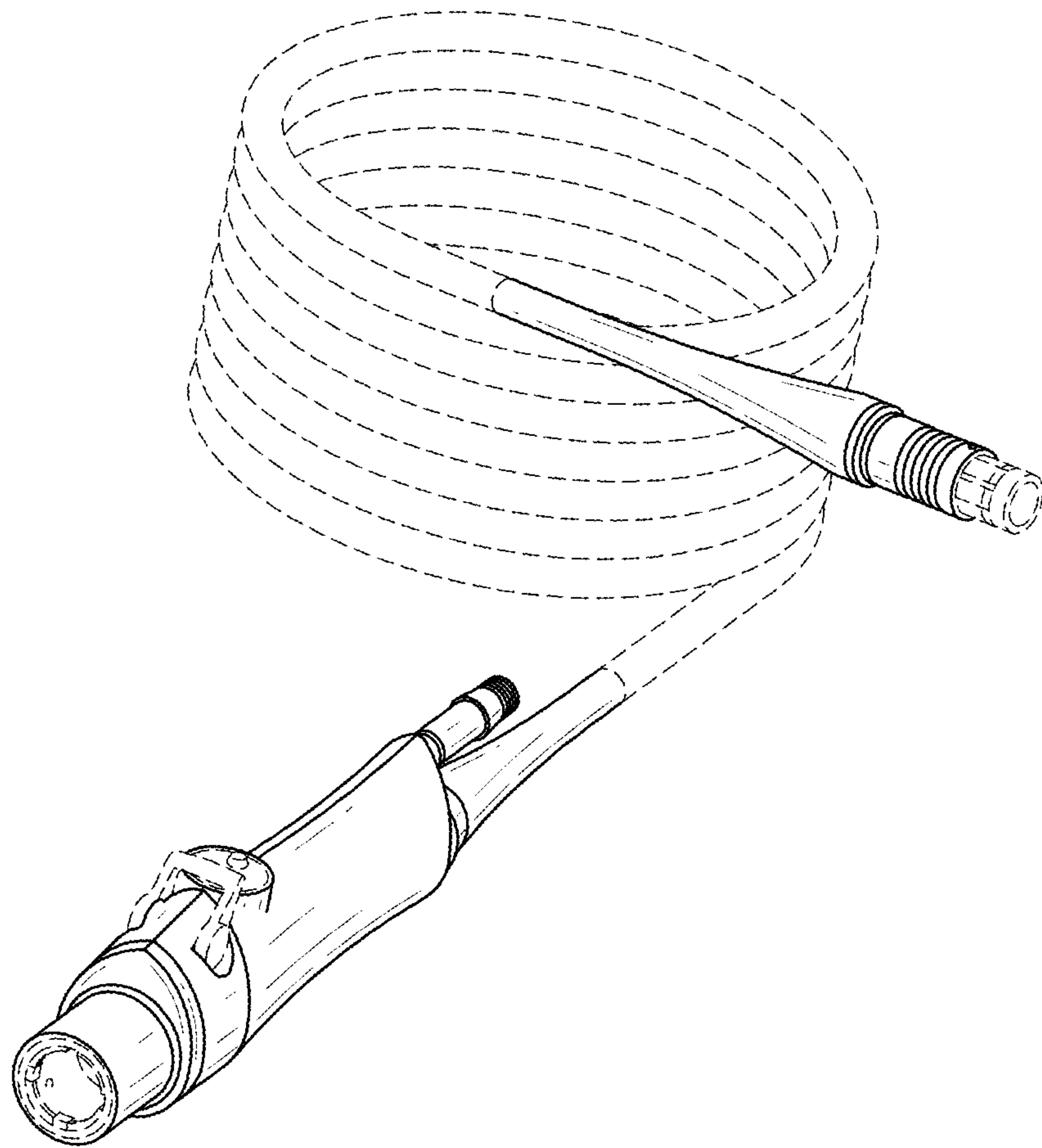


FIG.1

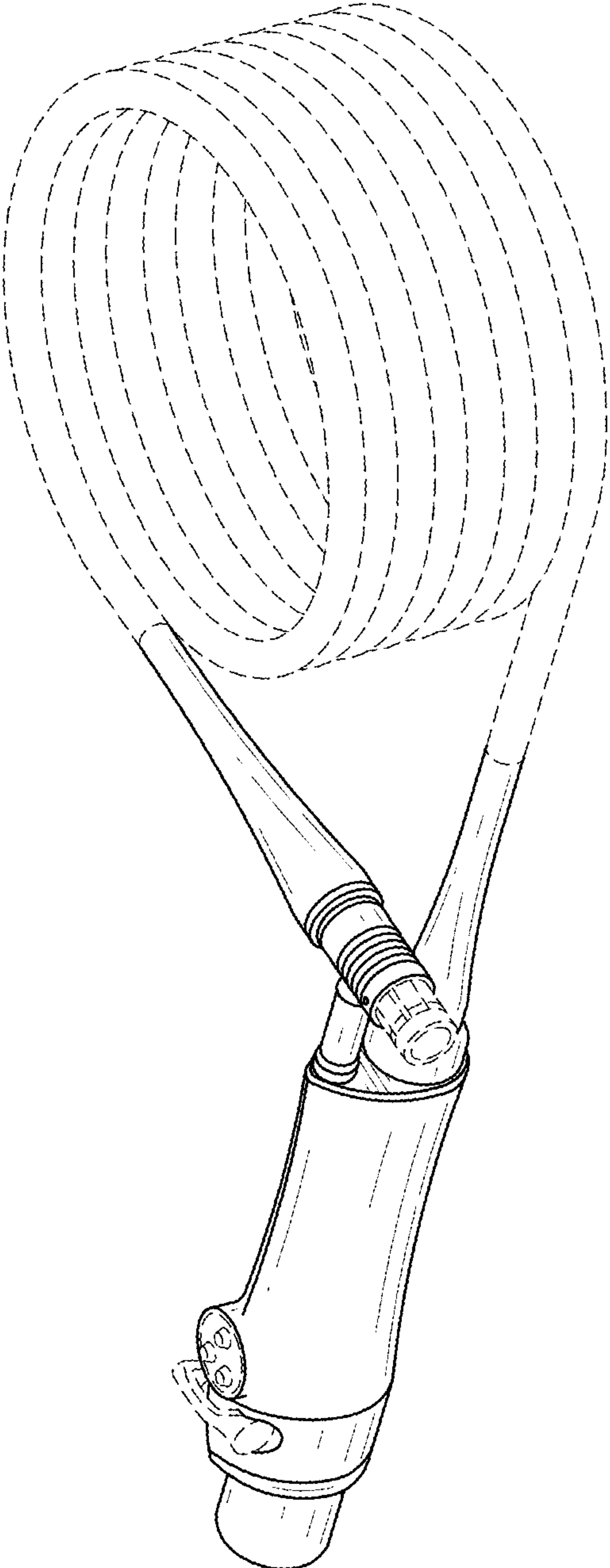


FIG. 2

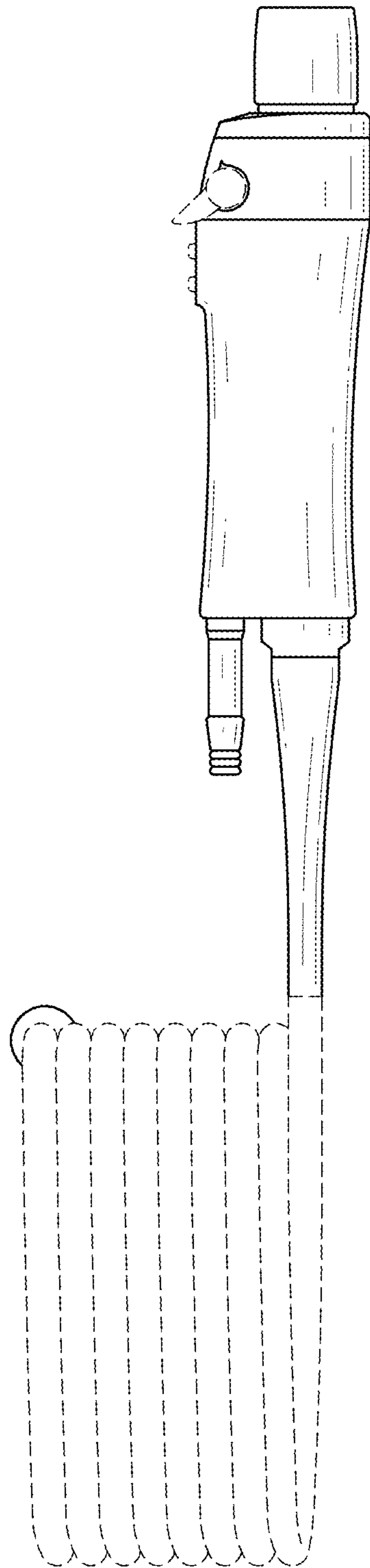


FIG.3

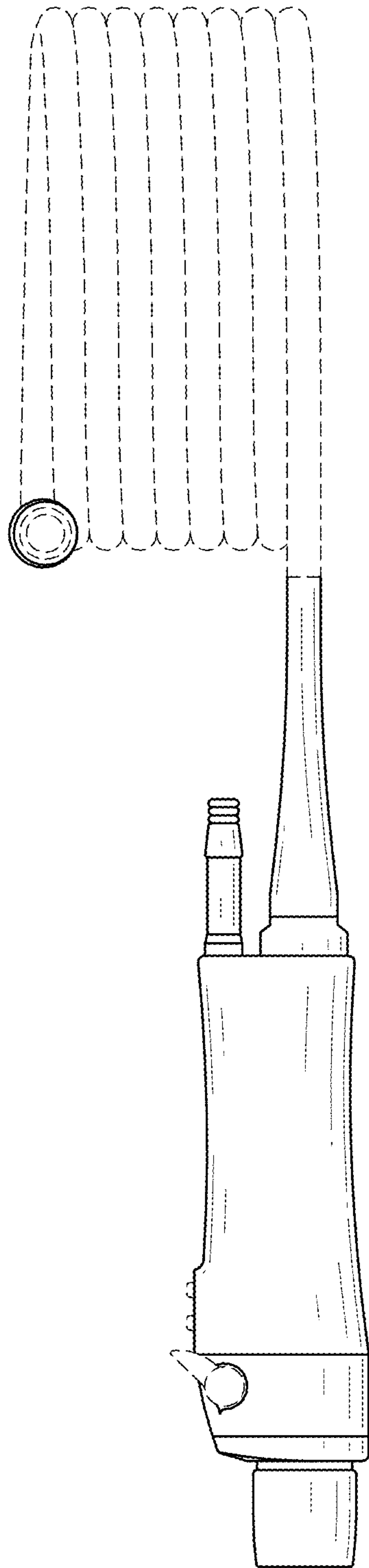


FIG.4

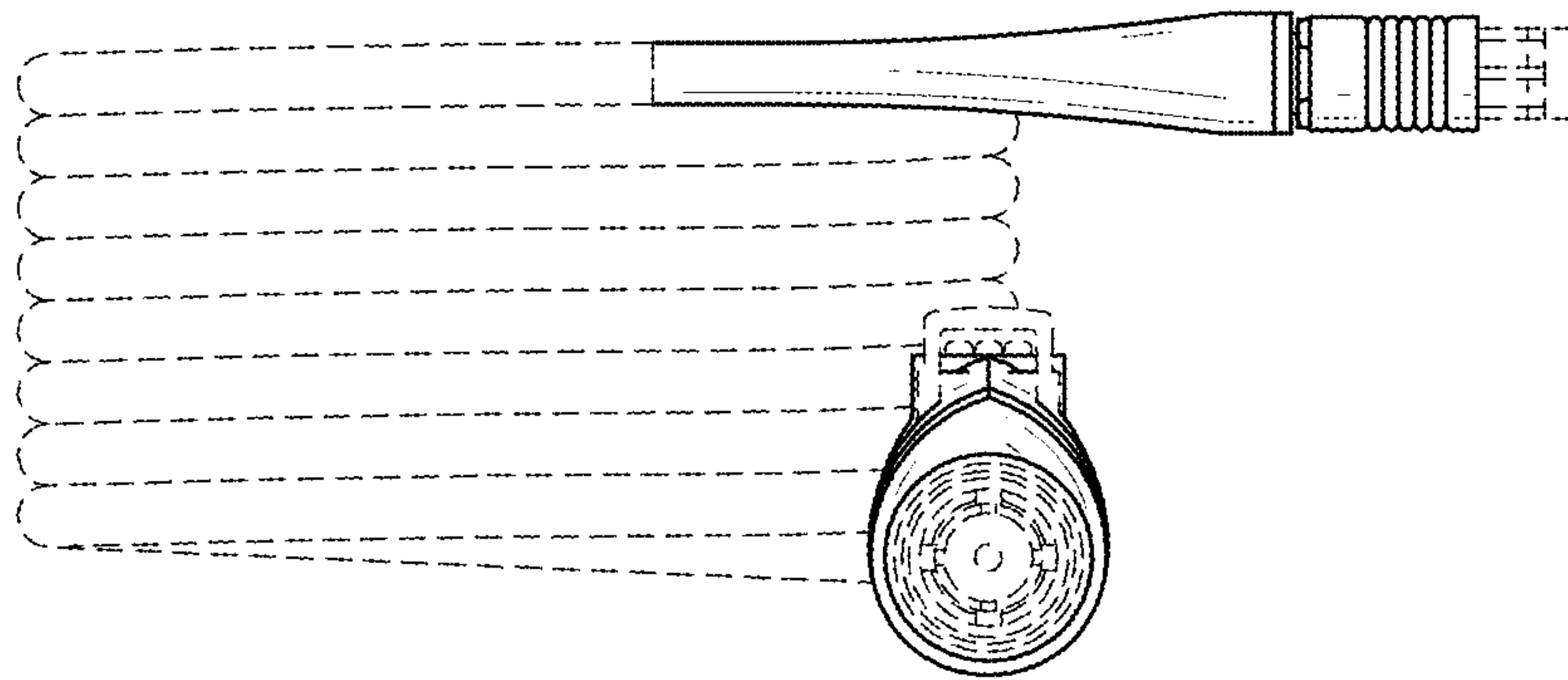


FIG.5

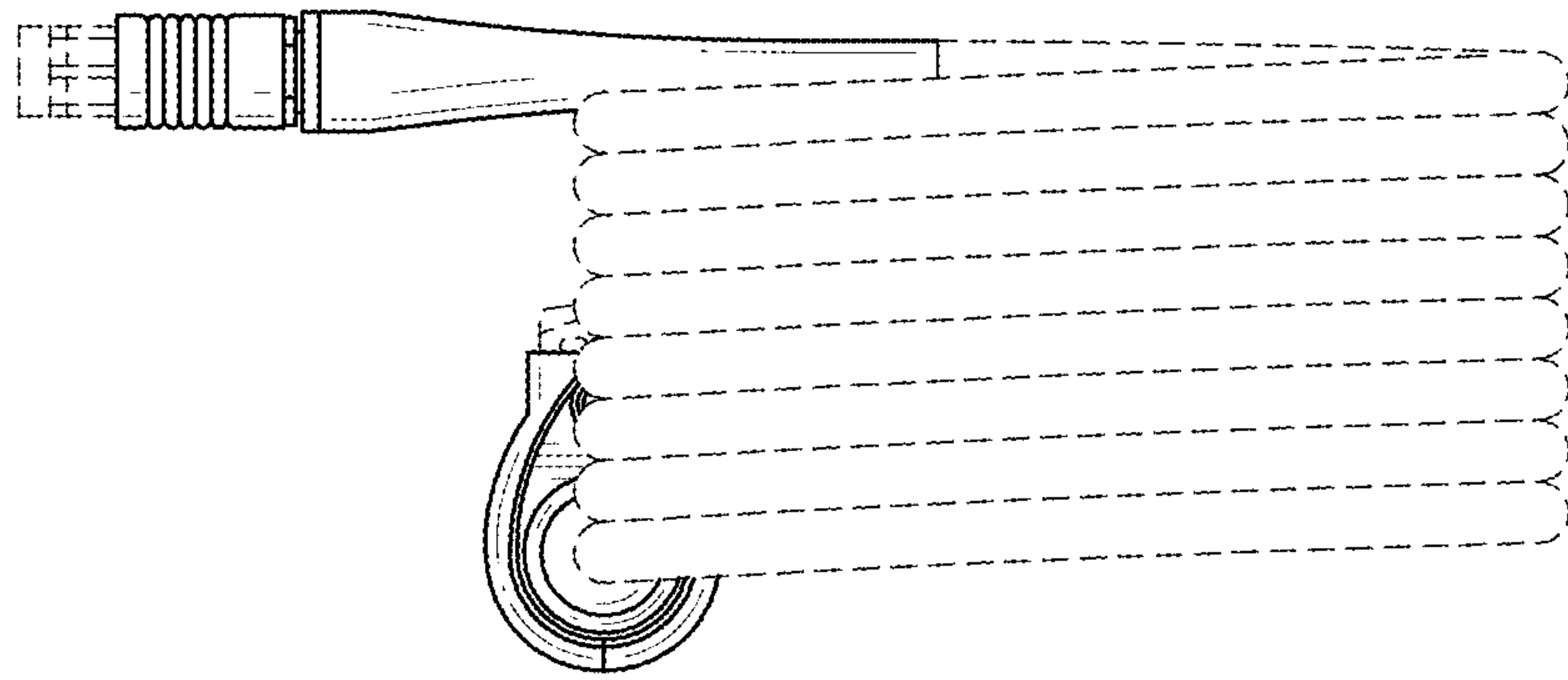


FIG.6

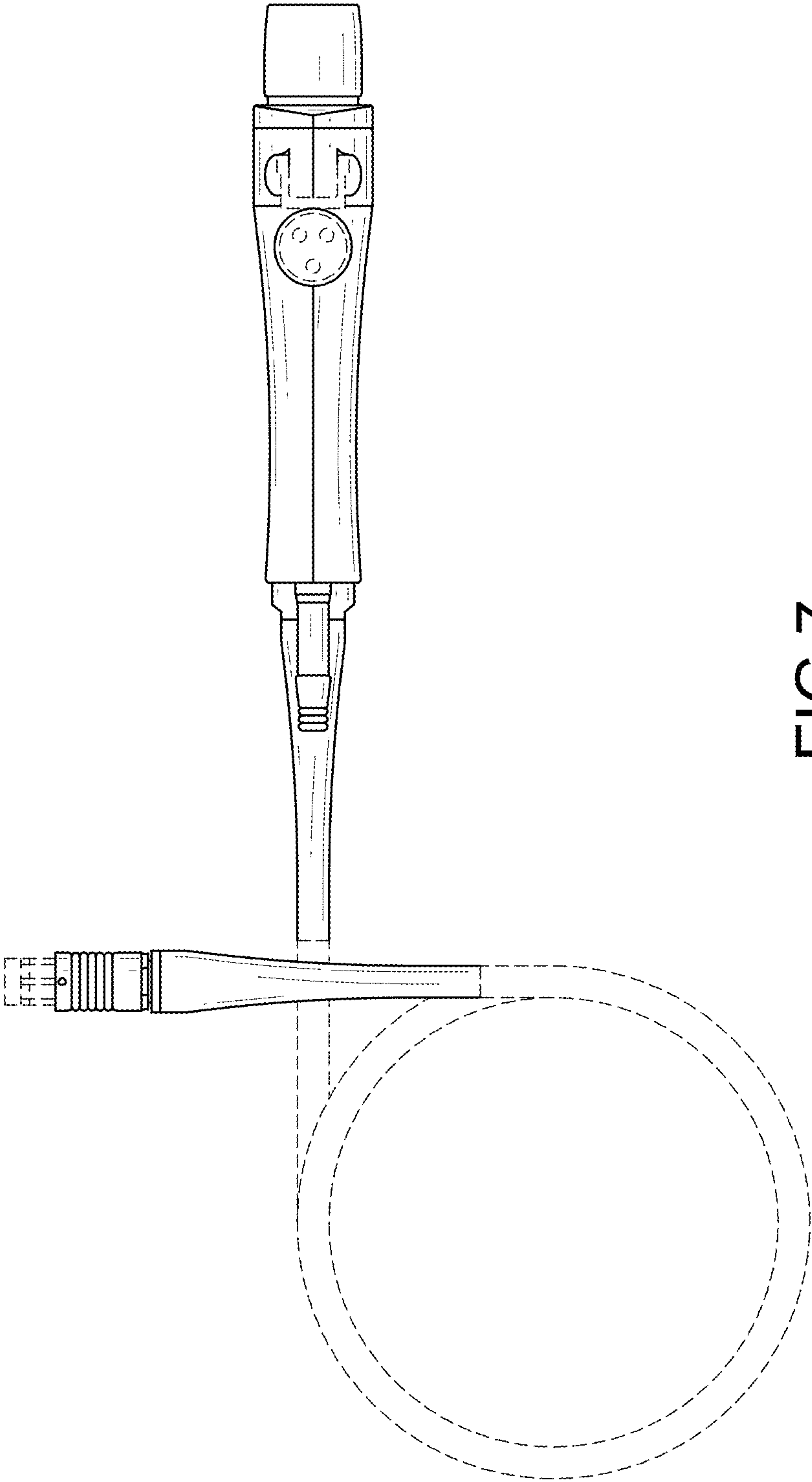


FIG.7

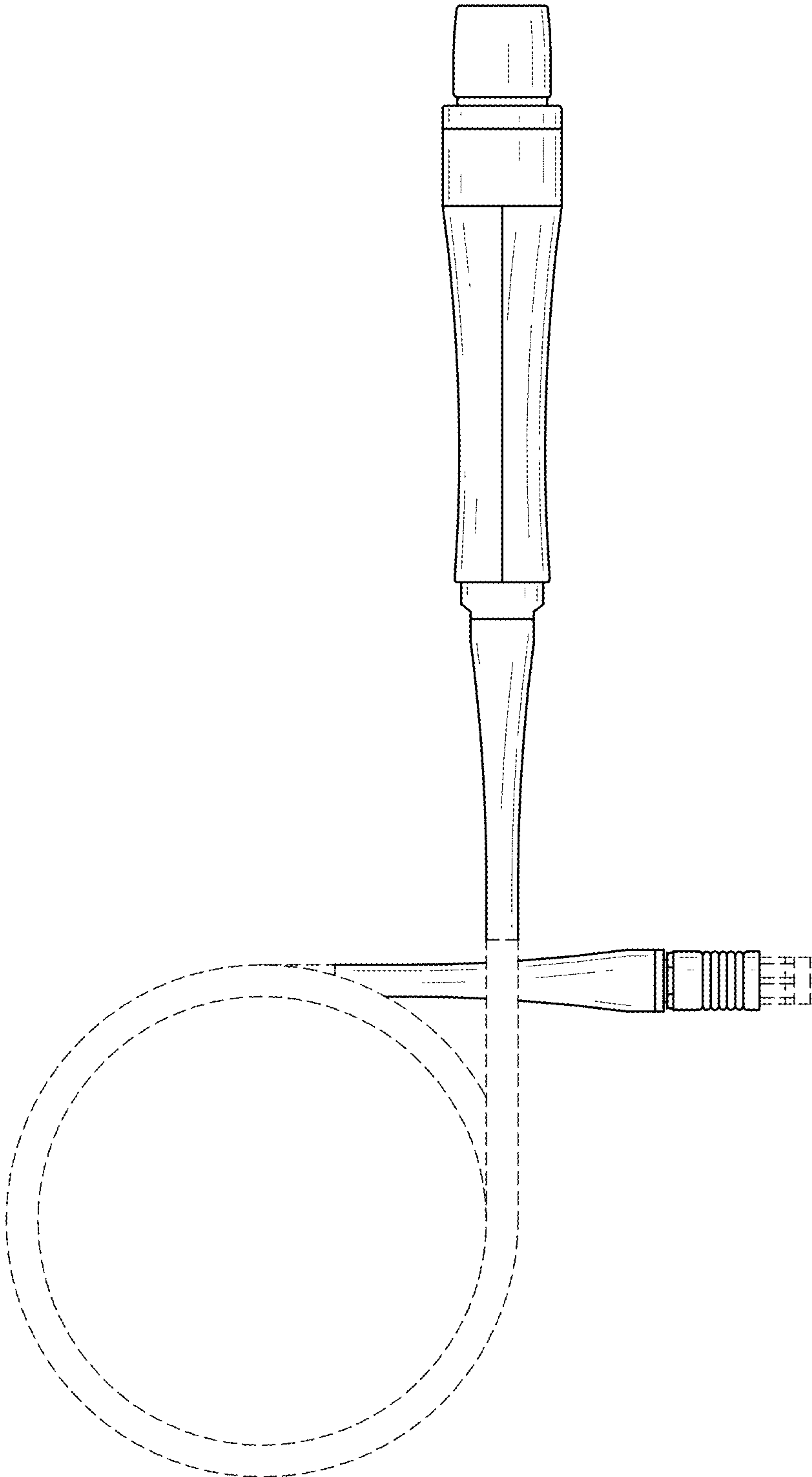


FIG.8