



US00D771253S

(12) **United States Design Patent** (10) **Patent No.:** **US D771,253 S**
Osada (45) **Date of Patent:** **** Nov. 8, 2016**

(54) **BODY OF A CAMERA FOR MEDICAL USE**

(71) Applicant: **OLYMPUS CORPORATION**, Tokyo (JP)

(72) Inventor: **Reisuke Osada**, Tokyo (JP)

(73) Assignee: **OLYMPUS CORPORATION**, Tokyo (JP)

(**) Term: **15 Years**

(21) Appl. No.: **29/531,120**

(22) Filed: **Jun. 23, 2015**

(30) **Foreign Application Priority Data**

Dec. 25, 2014 (JP) 2014-028972
Dec. 25, 2014 (JP) 2014-028973

(51) **LOC (10) Cl.** **24-02**

(52) **U.S. Cl.**
USPC **D24/138**

(58) **Field of Classification Search**
USPC D24/133, 137, 138, 222, 141, 108, 111,
D24/113, 127, 143, 148, 179, 216, 152, 153,
D24/154, 176; D8/4, 29.1, 29.2, 30, 31, 39
CPC A61B 1/00128; A61B 1/018; A61B
17/320016; A61B 17/3423; A61B 1/00135;
A61B 1/12; A61B 2017/00477; A61B
2017/347; A61B 17/00234; A61B 17/00491;
A61B 1/00066; A61B 1/00133; A61B
1/00147
See application file for complete search history.

(56) **References Cited**

U.S. PATENT DOCUMENTS

D474,276 S * 5/2003 Greise D16/202
D523,455 S * 6/2006 Greise D16/202
D598,545 S * 8/2009 Haines, III D24/137

D607,032 S * 12/2009 Halleck D16/202
D639,428 S * 6/2011 Yasue D24/137
D643,534 S * 8/2011 Halleck D16/202
D651,312 S * 12/2011 Halleck D16/202
D663,344 S * 7/2012 Yasue D16/219
D670,383 S * 11/2012 Eisenkolb D24/137
D672,462 S * 12/2012 Campo D24/138
D716,942 S * 11/2014 Eisenkolb D24/138
D717,432 S * 11/2014 Leroy D24/138

* cited by examiner

Primary Examiner — Robert M Spear

Assistant Examiner — Eliza Bennett-Hattan

(74) *Attorney, Agent, or Firm* — Scully, Scott, Murphy & Presser, P.C.

(57) **CLAIM**

The ornamental design for a body of a camera for medical use, as shown and described.

DESCRIPTION

FIG. 1 is a perspective view of a body of a camera for medical use, showing my new design;
FIG. 2 is a front view thereof;
FIG. 3 is a rear view thereof;
FIG. 4 is a top view thereof;
FIG. 5 is a bottom view thereof;
FIG. 6 is a left side view thereof;
FIG. 7 is a right side view thereof;
FIG. 8 is an enlarged end view thereof, taken along line 8-8 in FIG. 4 with its internal mechanisms omitted;
FIG. 9 is an enlarged view of a portion 9 of FIG. 2; and,
FIG. 10 is an end view taken along lines 10-10 of FIG. 9 with its internal mechanisms omitted, to better illustrate the contour thereof.

The evenly segmented broken lines indicate portions of the article that from no part of the claimed design. The dash dot dash broken lines indicate cutoff boundaries for enlarged detailed portion views.

1 Claim, 9 Drawing Sheets

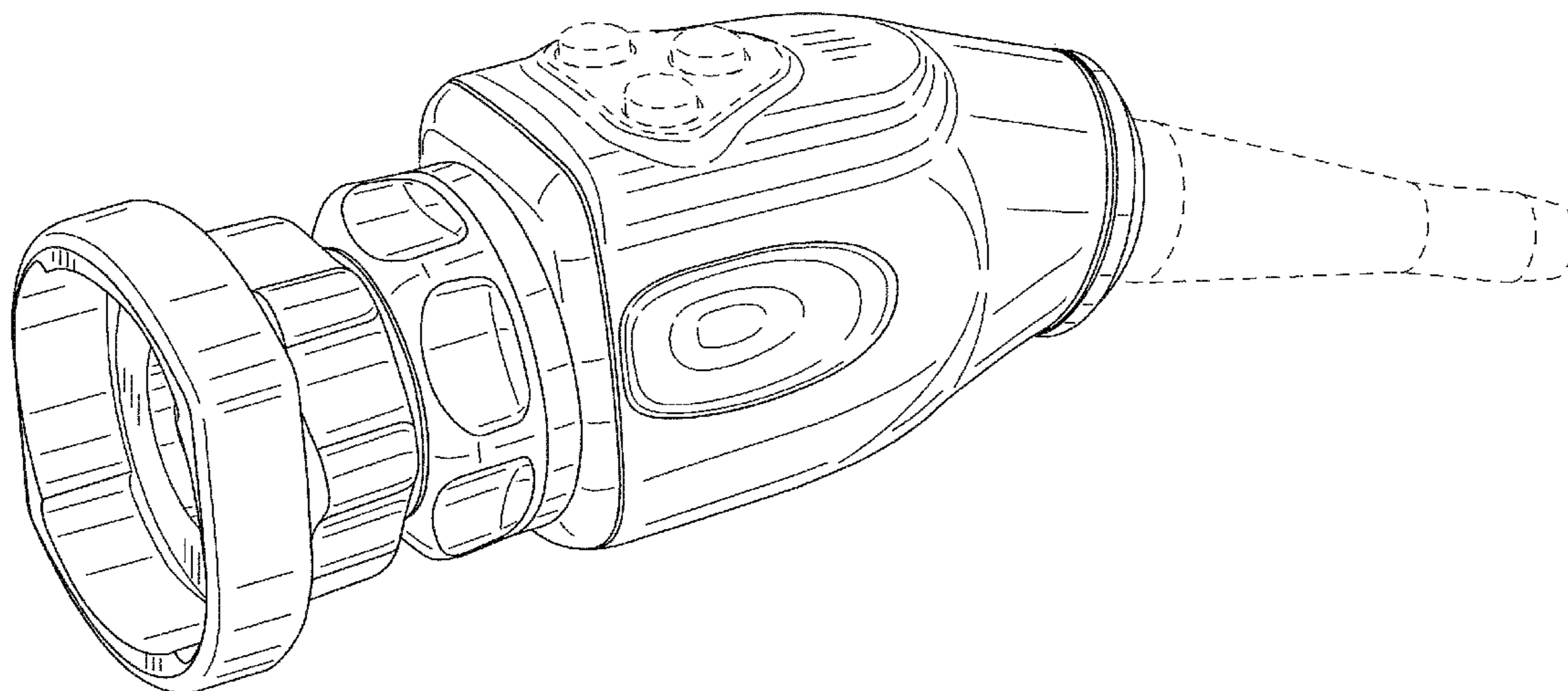




Fig. 1

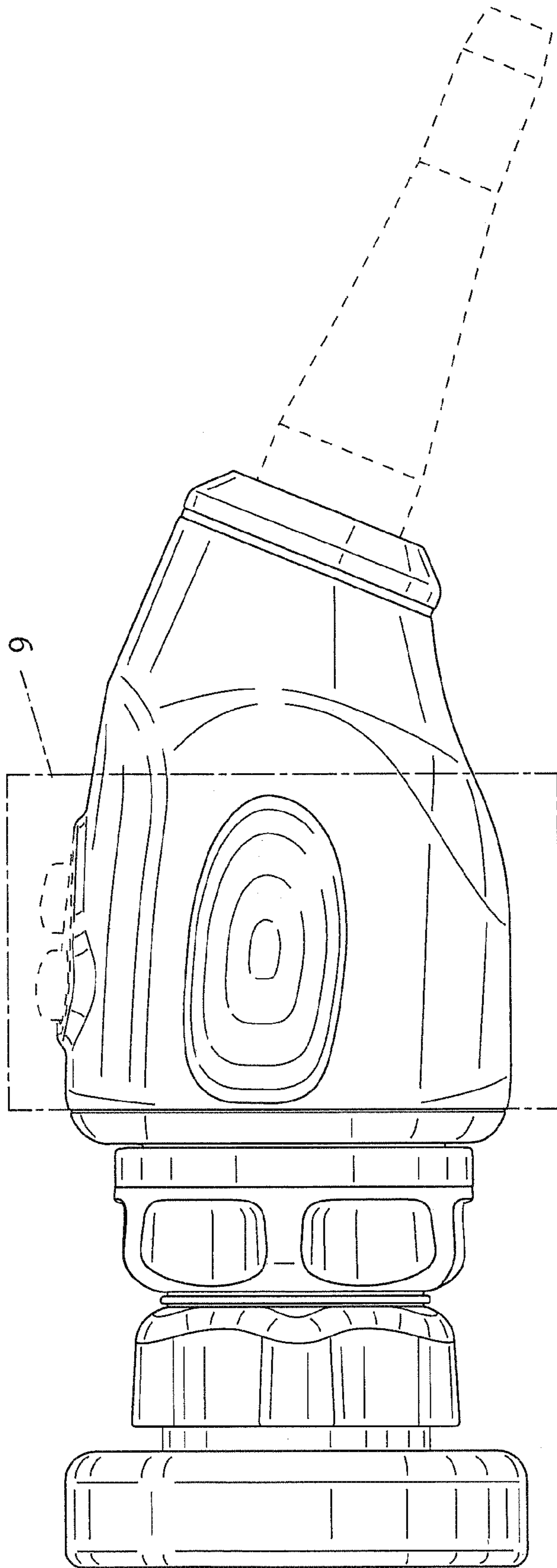


Fig. 2

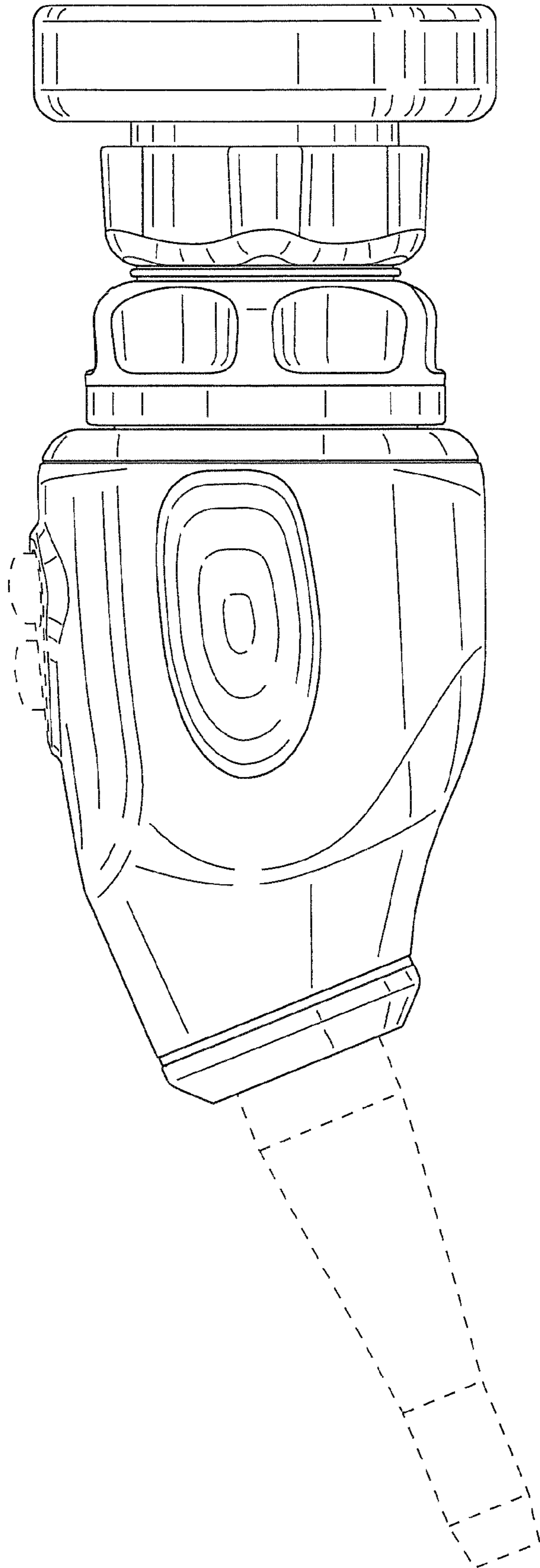


Fig. 3

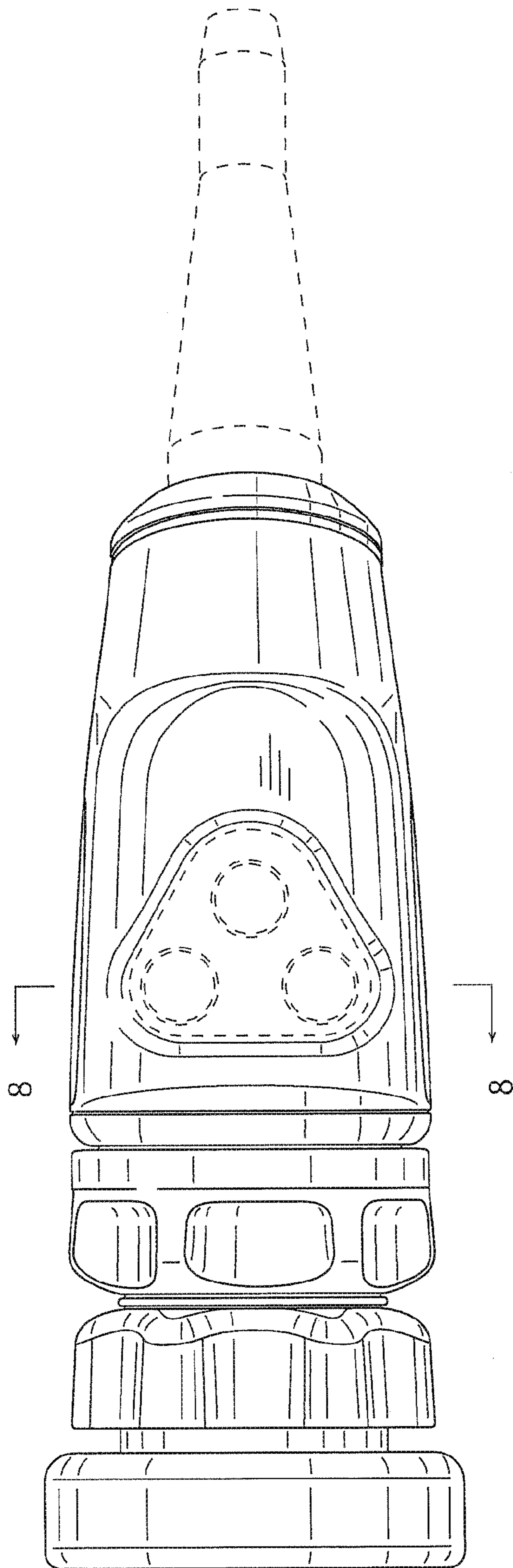


Fig. 4

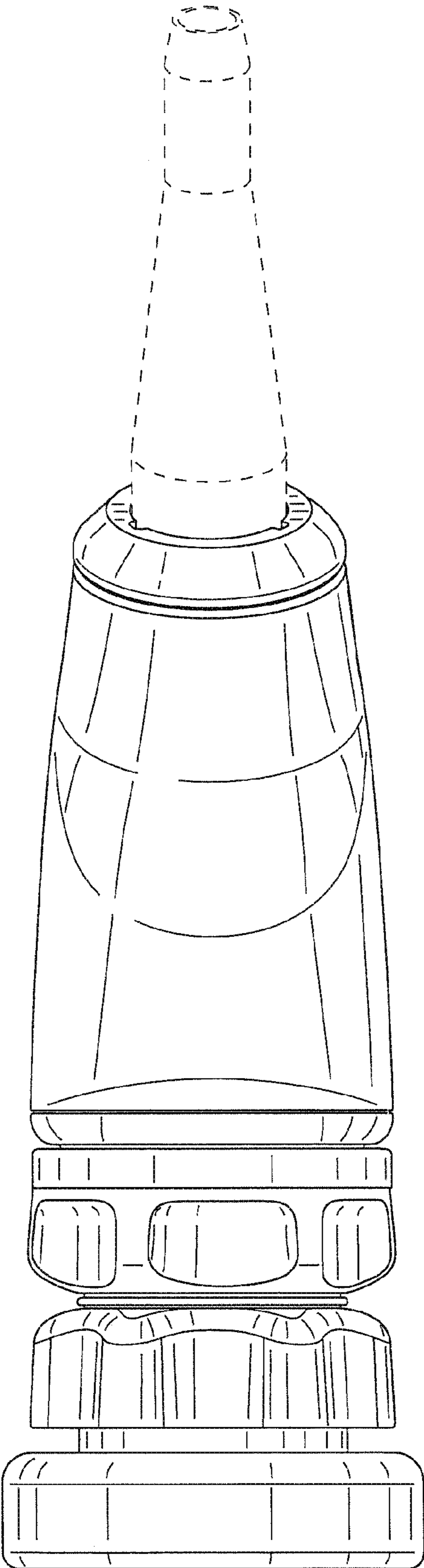


Fig. 5

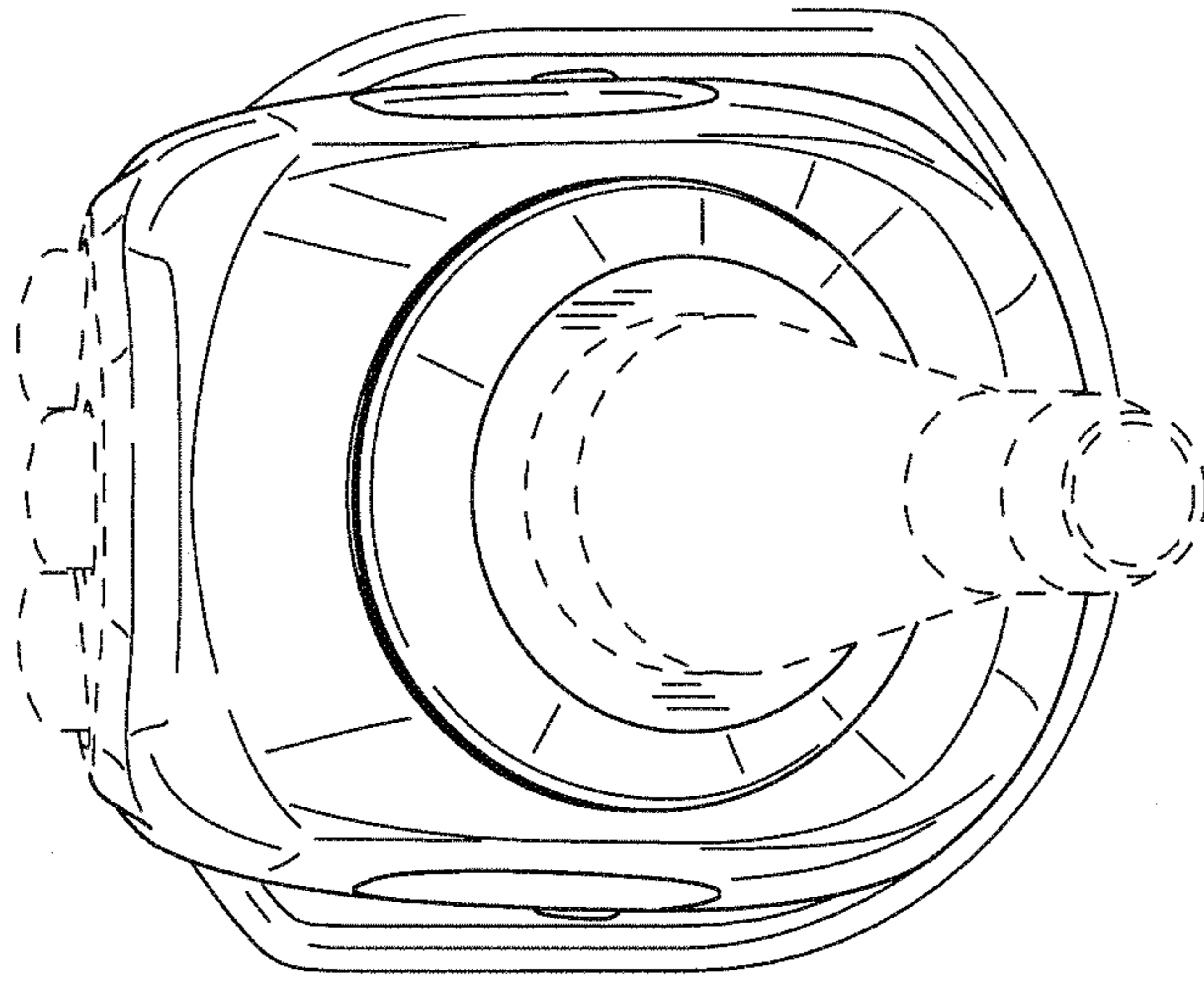


Fig. 7

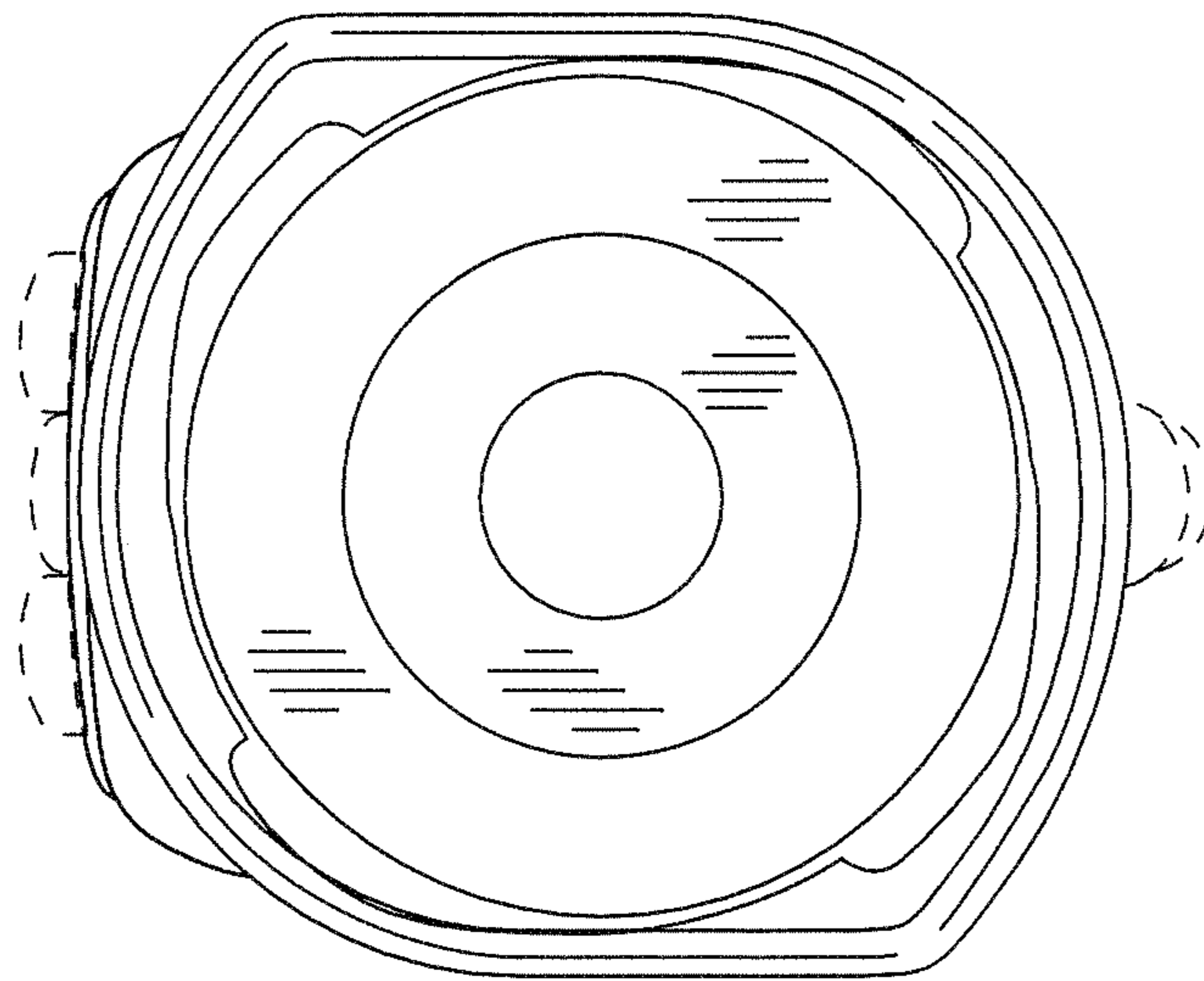


Fig. 6

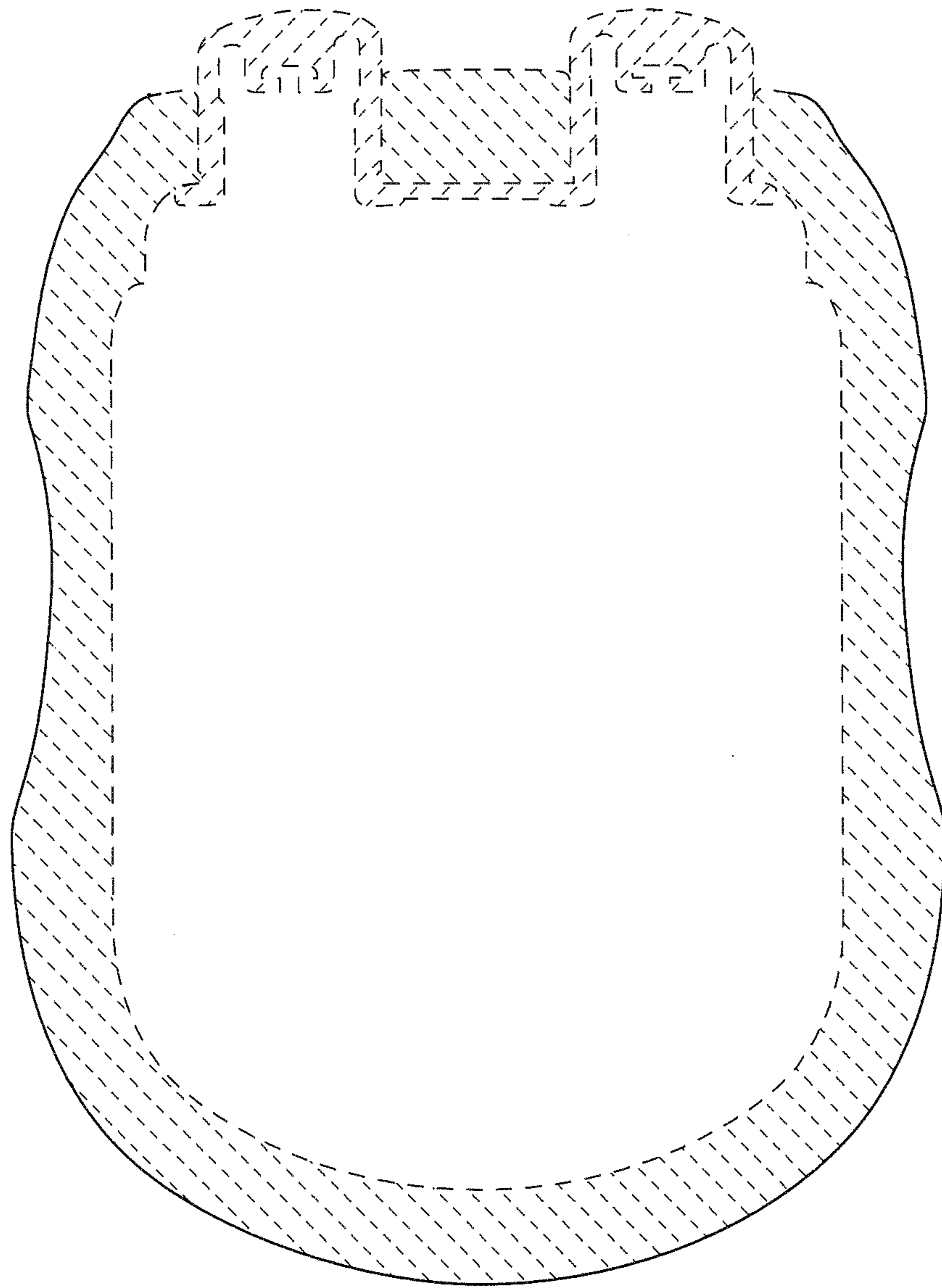


Fig. 8

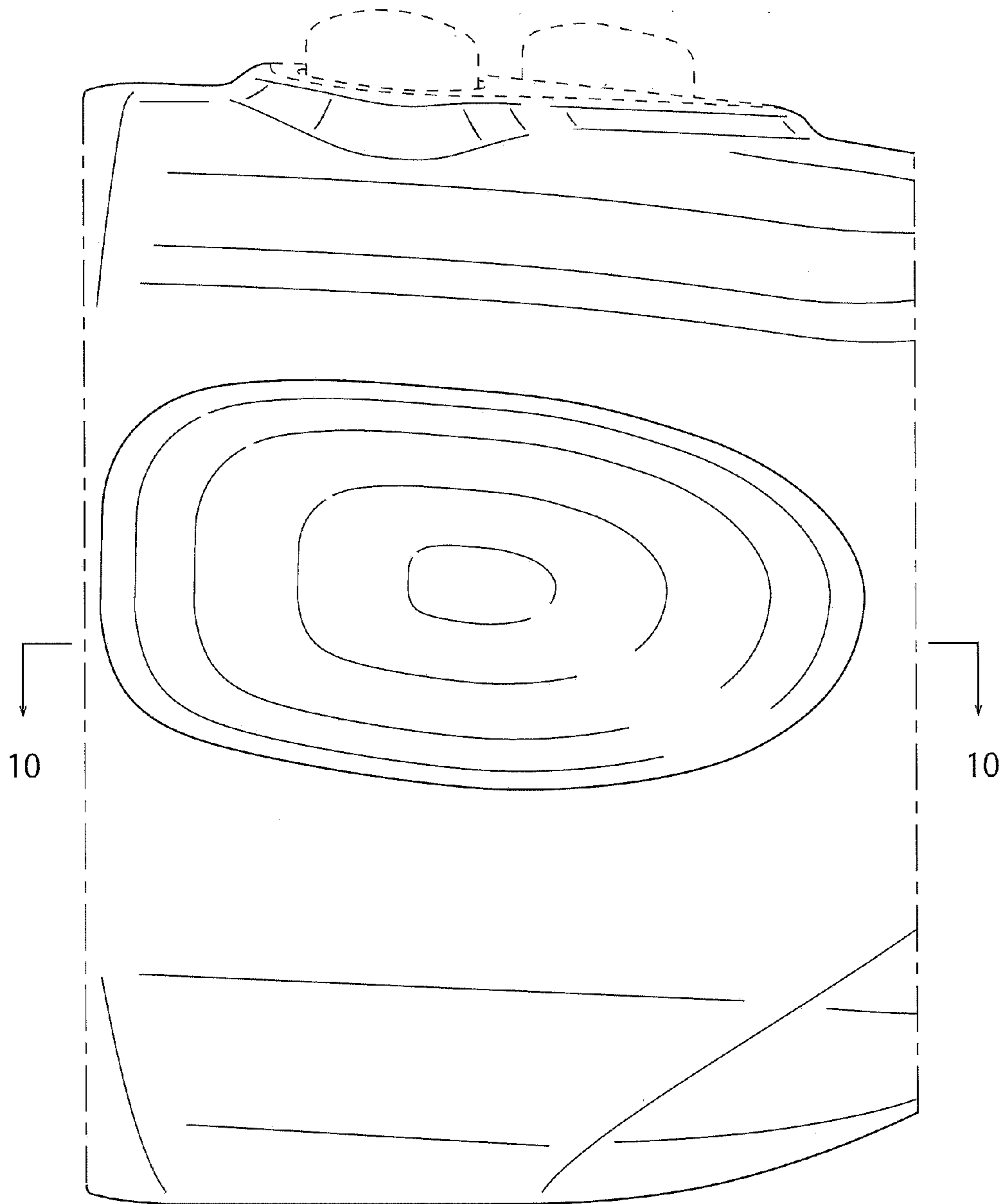


Fig. 9

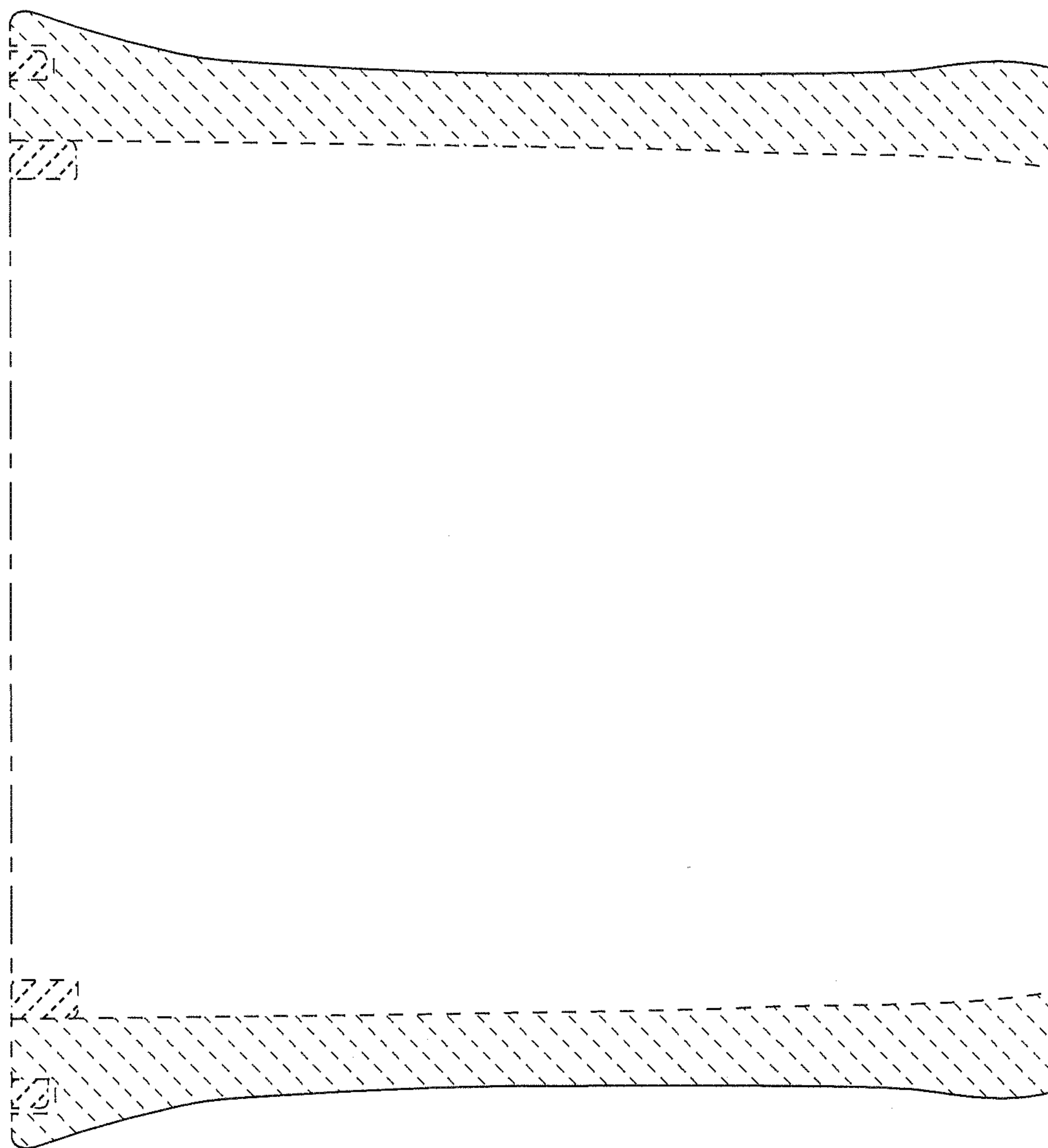


Fig. 10