



US00D771251S

(12) **United States Design Patent** (10) **Patent No.:** **US D771,251 S**  
**Oberlaender et al.** (45) **Date of Patent:** **\*\* Nov. 8, 2016**

(54) **OPERATING SHEATH**

(71) Applicant: **KARL STORZ GmbH & Co. KG**,  
Tuttlingen (DE)

(72) Inventors: **Martin Oberlaender**, Engen (DE);  
**Felix Teufel**, Tuttlingen (DE)

(73) Assignee: **KARL STORZ GmbH & Co. KG**,  
Tuttlingen (DE)

(\*\*) Term: **14 Years**

(21) Appl. No.: **29/521,745**

(22) Filed: **Mar. 26, 2015**

(30) **Foreign Application Priority Data**

Sep. 26, 2014 (EM) ..... 002545954-0001

(51) **LOC (10) Cl.** ..... **24-02**

(52) **U.S. Cl.**  
USPC ..... **D24/138**

(58) **Field of Classification Search**  
USPC ..... D24/108, 112, 117, 118, 133, 135, 137,  
D24/138, 222, 141, 111, 113, 127, 143, 144,  
D24/148, 179, 216, 152, 153, 154, 176,  
D24/170; D8/30

CPC ..... A61B 18/1445; A61B 18/1402; A61B  
18/14; A61B 2018/147; A61C 1/14  
See application file for complete search history.

(56) **References Cited**

**U.S. PATENT DOCUMENTS**

3,368,552 A \* 2/1968 Bottcher ..... A61B 1/00098  
600/107  
D264,824 S \* 6/1982 Sandel ..... D10/71

D617,458 S *	6/2010	Frey	.....	D24/138
D620,107 S *	7/2010	Bartlett	.....	D24/112
D622,846 S *	8/2010	Frey	.....	D24/138
D639,429 S *	6/2011	Speiser	.....	D24/138
D639,943 S *	6/2011	Bettocchi	.....	D24/137
D667,544 S *	9/2012	Bettocchi	.....	D24/137
D672,462 S *	12/2012	Campo	.....	D24/138
D674,090 S *	1/2013	Campo	.....	D24/138
D696,401 S *	12/2013	Campo	.....	D24/138
D729,384 S *	5/2015	Renner	.....	D24/138

\* cited by examiner

*Primary Examiner* — Robert M Spear

*Assistant Examiner* — Eliza Bennett-Hattan

(74) *Attorney, Agent, or Firm* — Muncy, Geissler, Olds & Lowe, P.C.

(57) **CLAIM**

The ornamental design for an operating sheath, as shown and described.

**DESCRIPTION**

FIG. 1 is a front perspective view of an operating sheath according to the present invention.

FIG. 2 is a left side view of the operating sheath of FIG. 1.

FIG. 3 is a right side view of the operating sheath of FIG. 1.

FIG. 4 is a top view of the operating sheath of FIG. 1.

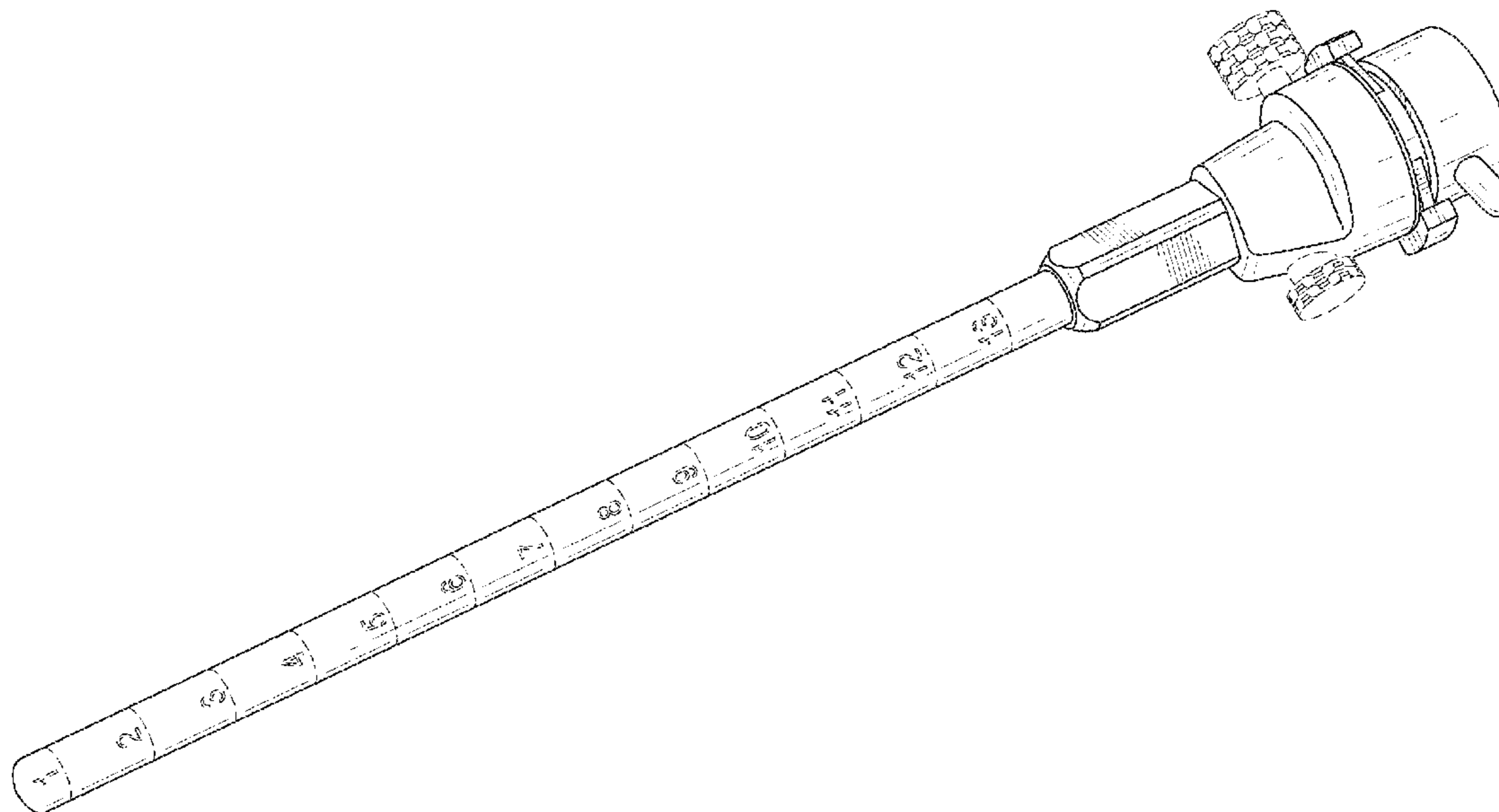
FIG. 5 is a bottom view of the operating sheath of FIG. 1.

FIG. 6 is a front view of the operating sheath of FIG. 1; and,

FIG. 7 is a rear view of the operating sheath of FIG. 1.

The dashed lines illustrate environment that does not form a part of the present invention, and no claim is made to the material illustrated with dashed lines.

**1 Claim, 6 Drawing Sheets**



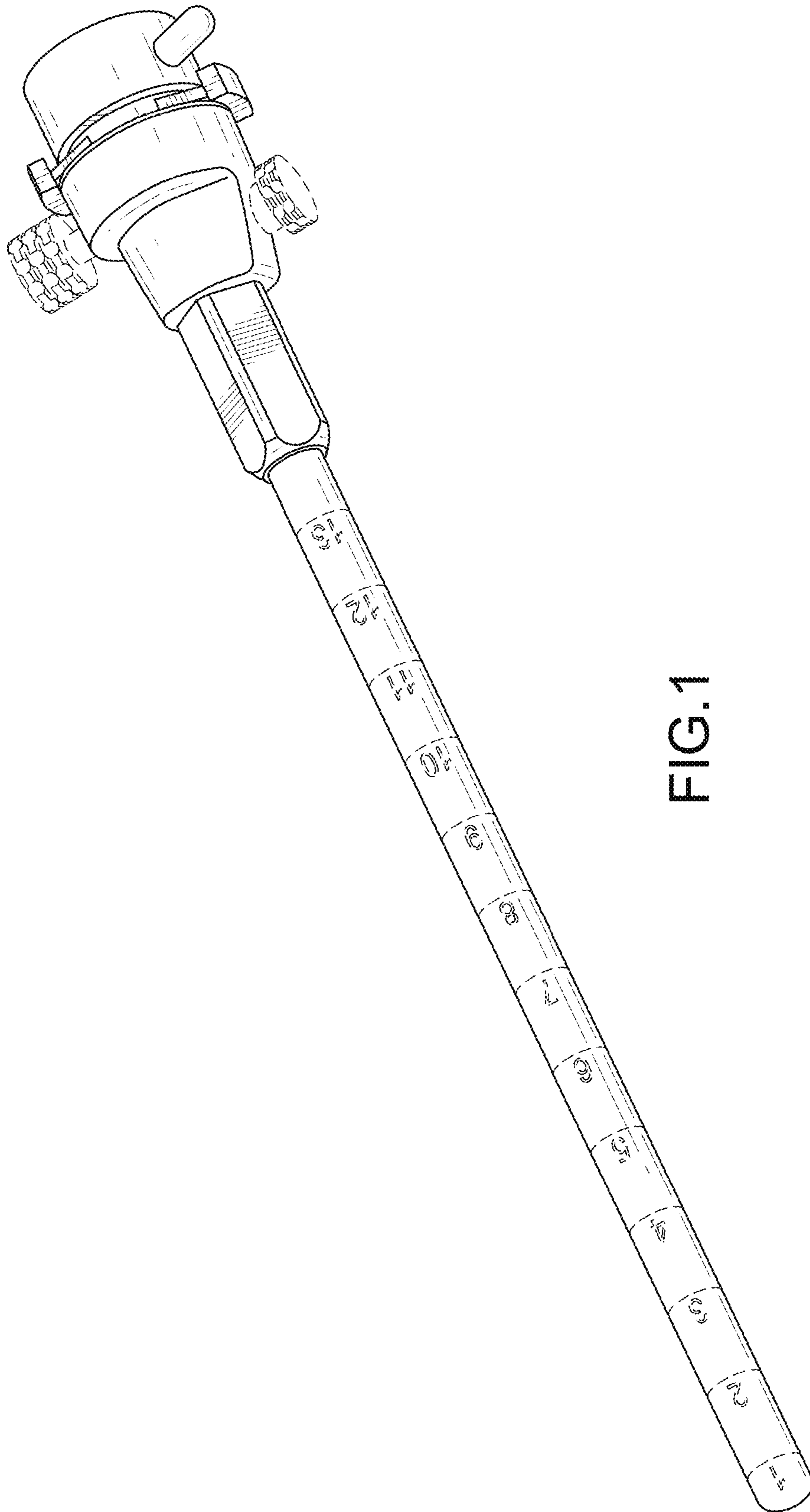


FIG.1

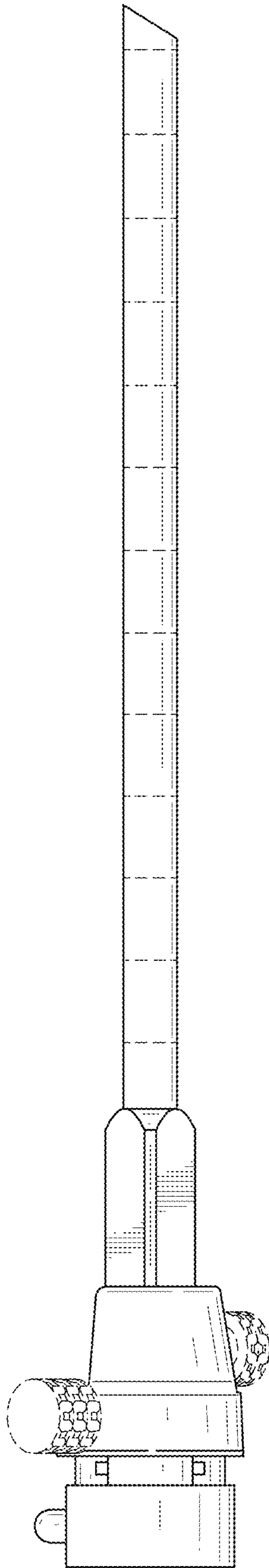


FIG.2

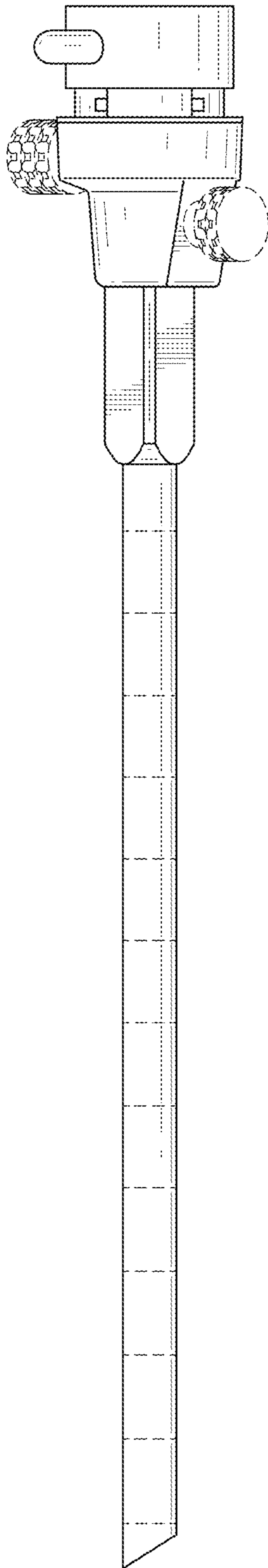


FIG.3

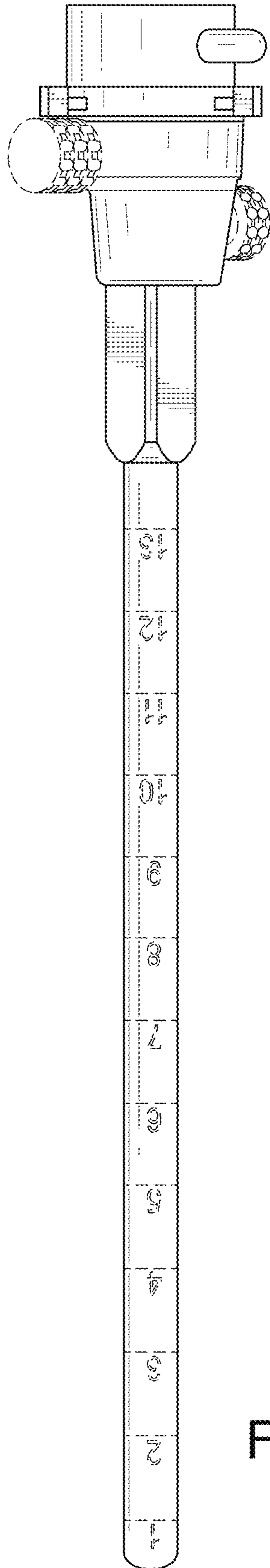


FIG.4

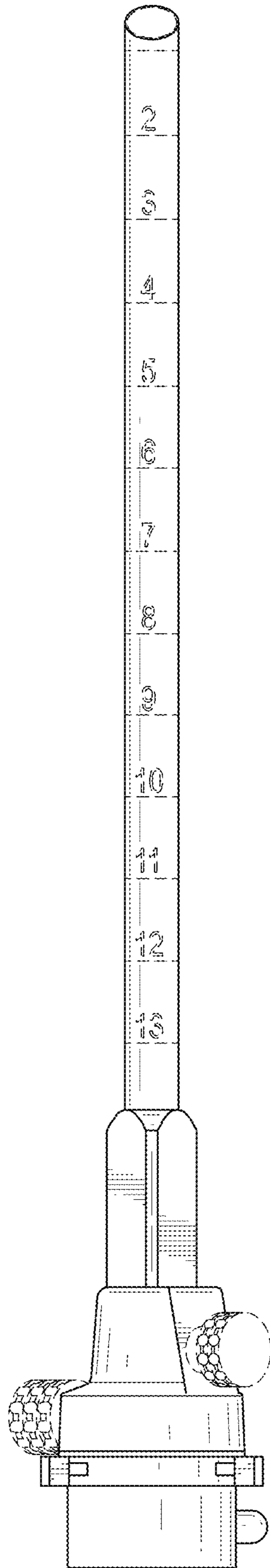


FIG.5

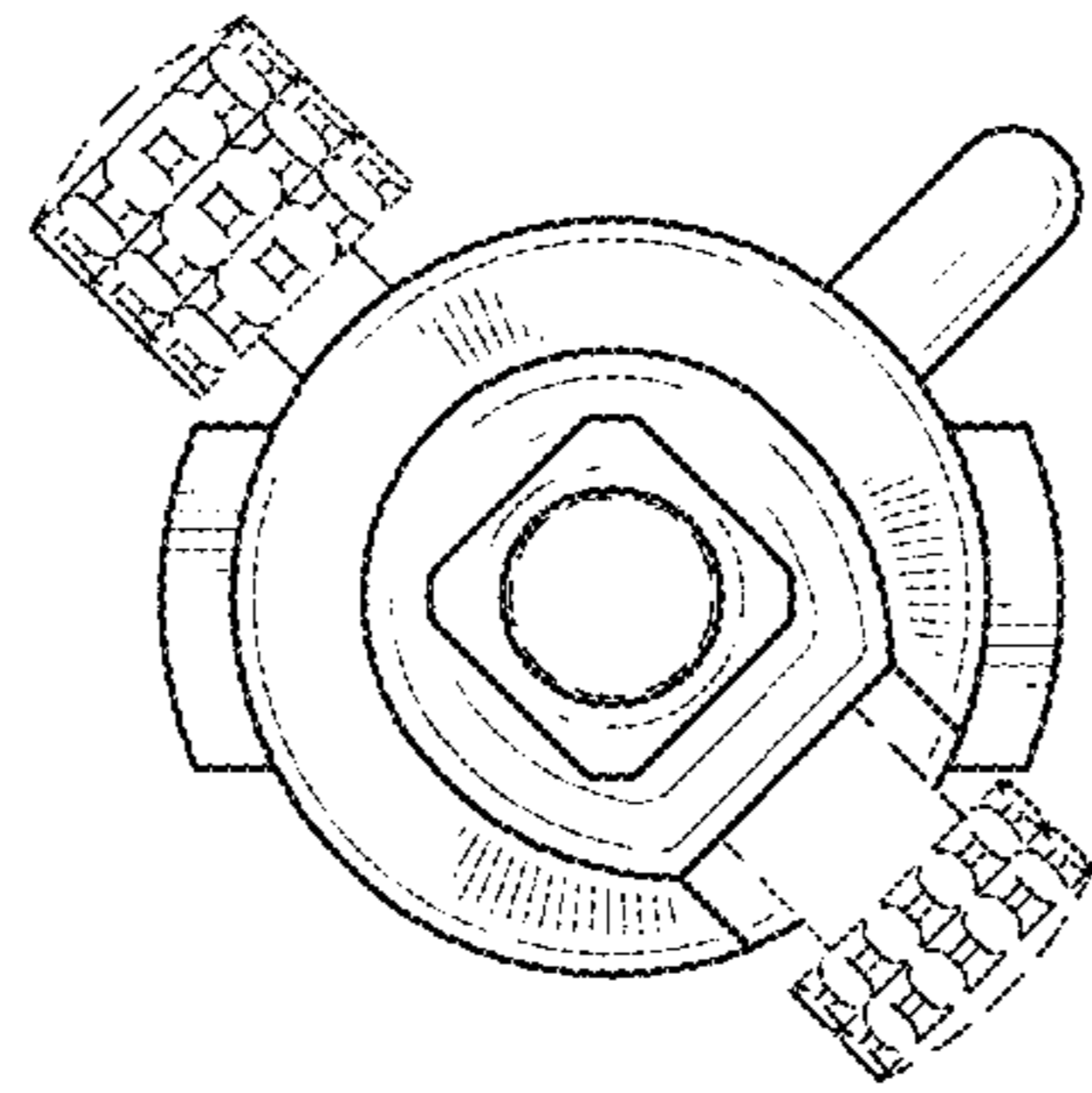


FIG. 6

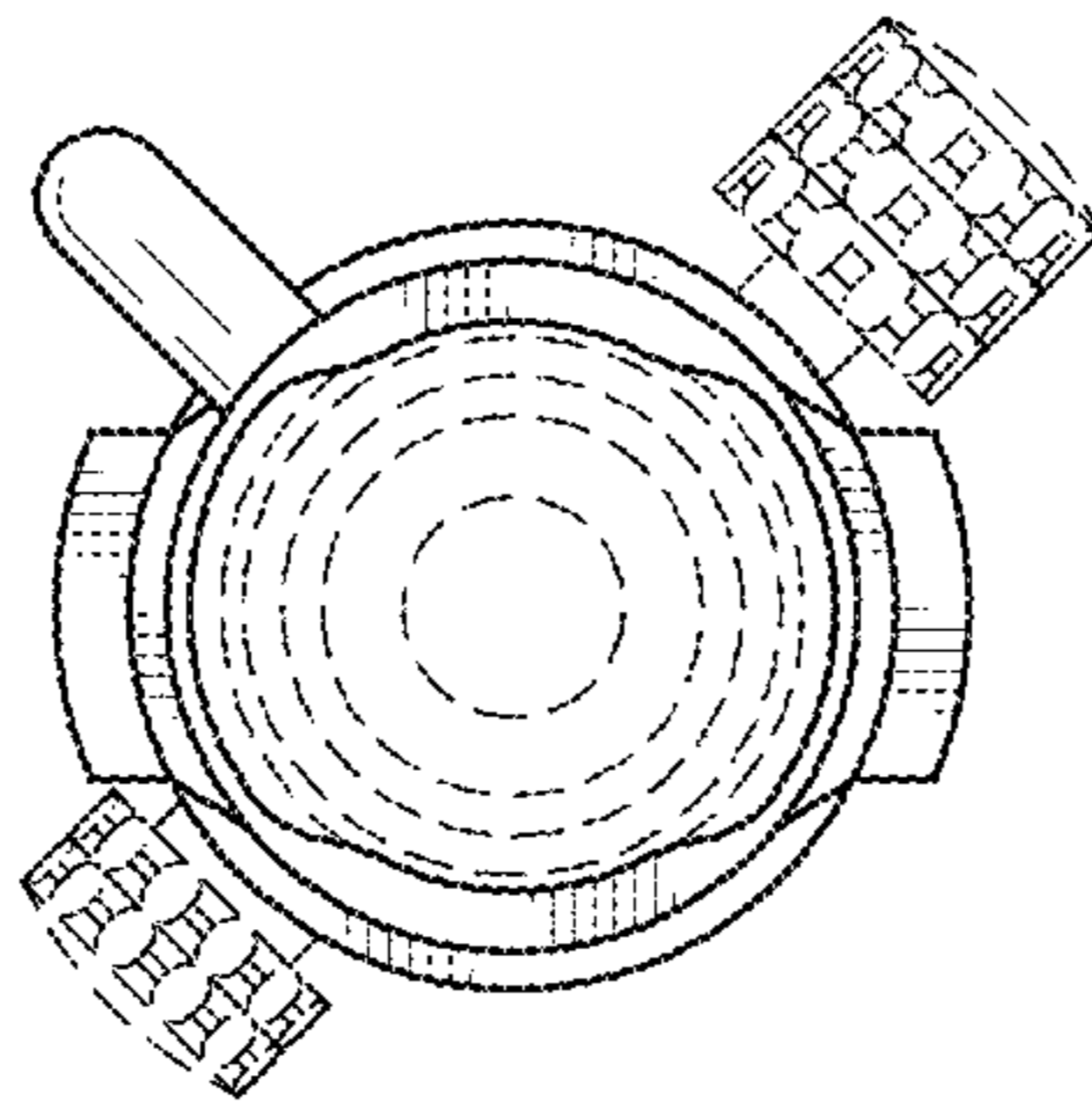


FIG. 7