



US00D771250S

(12) **United States Design Patent** (10) **Patent No.:** **US D771,250 S**
Zhang et al. (45) **Date of Patent:** **** Nov. 8, 2016**

(54) **LIQUID DISPENSER WITH AN EXTENDED TIP**

(71) Applicant: **Adhezion Biomedical, LLC**,
Wyomissing, PA (US)

(72) Inventors: **Sheng Zhang**, Hickory, NC (US);
Rafael Ruiz, Sr., Hudson, NC (US);
Amanda Guido, Granite Falls, NC (US)

(73) Assignee: **Adhezion Biomedical, LLC**,
Wyomissing, PA (US)

(**) Term: **15 Years**

(21) Appl. No.: **29/549,452**

(22) Filed: **Dec. 22, 2015**

(51) **LOC (10) Cl.** **24-02**

(52) **U.S. Cl.**
USPC **D24/133**

(58) **Field of Classification Search**
USPC D24/214, 137, 138, 177, 147, 222, 119,
D24/141, 133, 111; D8/16, 17, 19, 45, 21,
D8/24, 25, 29.1, 57, 69, 80, 82, 83, 88, 94,
D8/97, 107, 300, 303; D6/328; D10/61, 62
CPC A61C 17/0202; A61C 19/063; A61C 3/025;
A61C 19/002; A61L 2300/00; A61L 31/10;
A61L 31/16; A61L 2202/24; A61L 2/22;
A61M 39/10; A61M 5/30; A61M 16/0666;
A61M 3/0279; A61B 17/8808
See application file for complete search history.

(56) **References Cited**

U.S. PATENT DOCUMENTS

D246,380 S *	11/1977	Boothby	D24/222
D293,821 S *	1/1988	Vaillancourt	D24/130
D373,827 S *	9/1996	Polaniec	D24/112
D436,661 S *	1/2001	Berry	D24/114
D565,192 S *	3/2008	Tajima	D24/222
D758,579 S *	6/2016	Keckstein	D24/133

* cited by examiner

Primary Examiner — Robert M Spear

Assistant Examiner — Eliza Bennett-Hattan

(74) *Attorney, Agent, or Firm* — Stradley Ronon
Stevens & Young, LLP

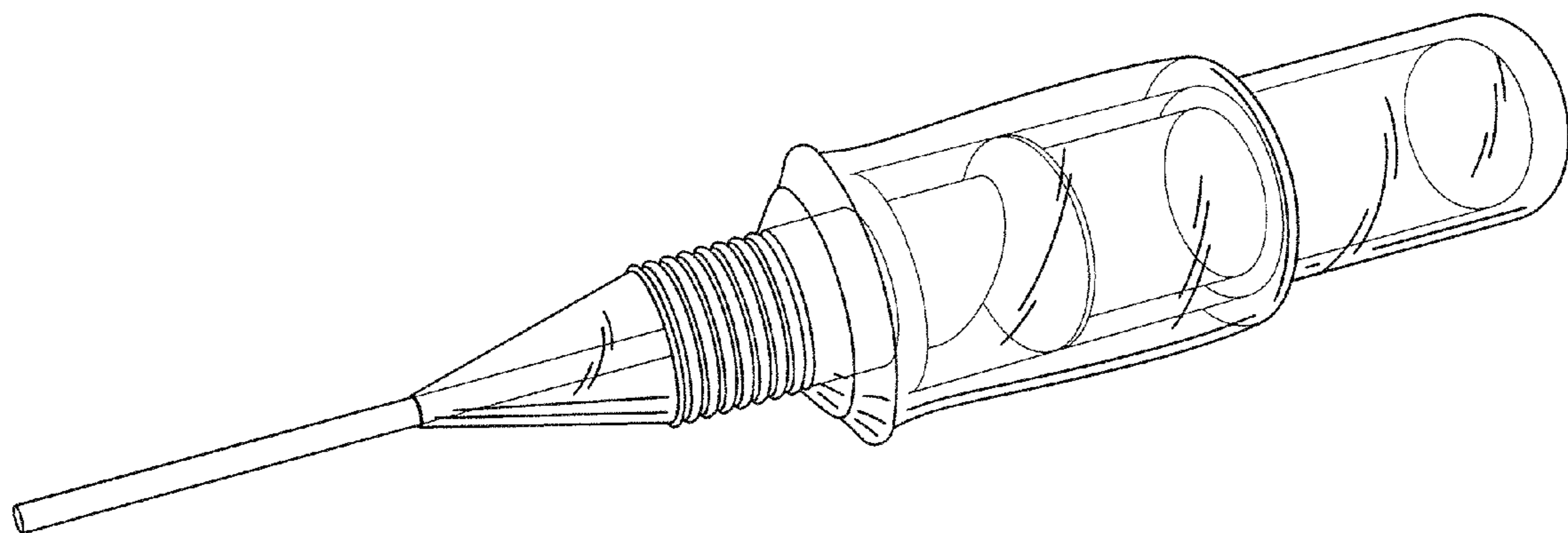
(57) **CLAIM**

The ornamental design for a liquid dispenser with an extended tip, substantially as shown and described.

DESCRIPTION

FIG. 1 shows a perspective view of the dispenser;
FIG. 2 shows a side view of the dispenser;
FIG. 3 shows a top view of the dispenser;
FIG. 4 shows a bottom view of the dispenser;
FIG. 5 shows a front view of the dispenser; and,
FIG. 6 shows a rear view of the dispenser.

1 Claim, 2 Drawing Sheets



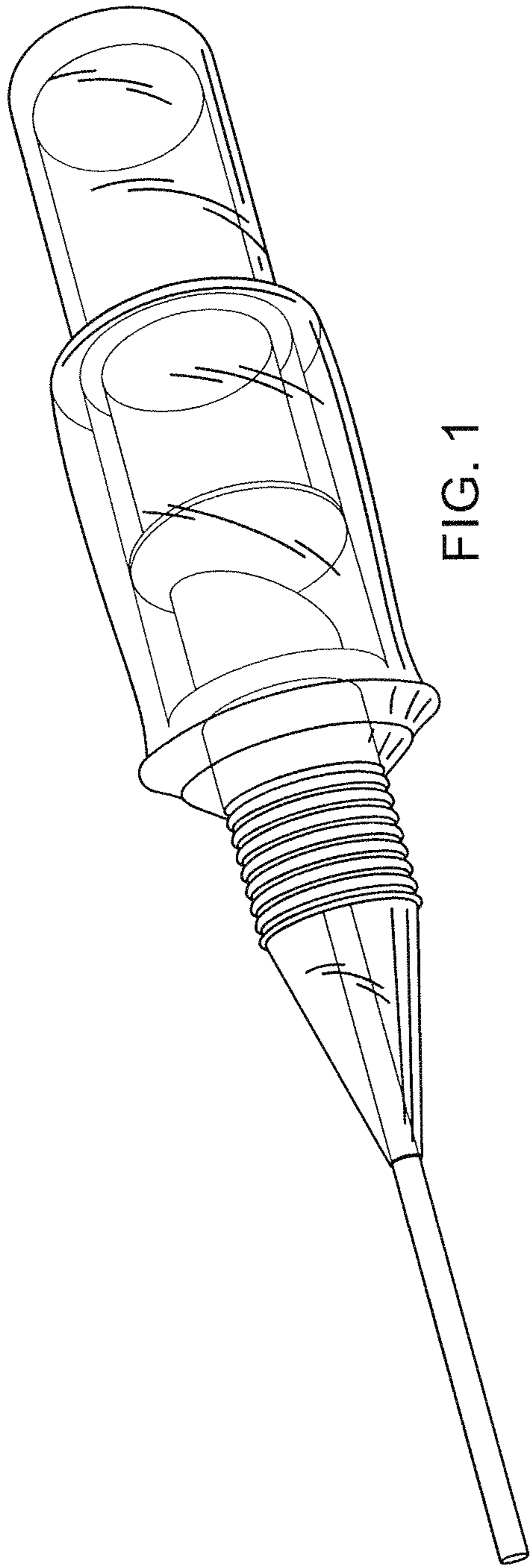


FIG. 1

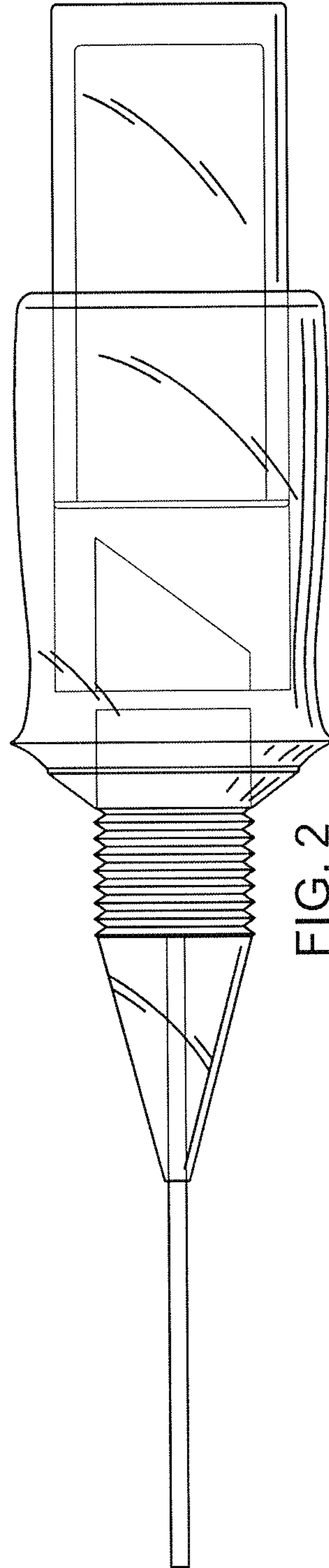


FIG. 2

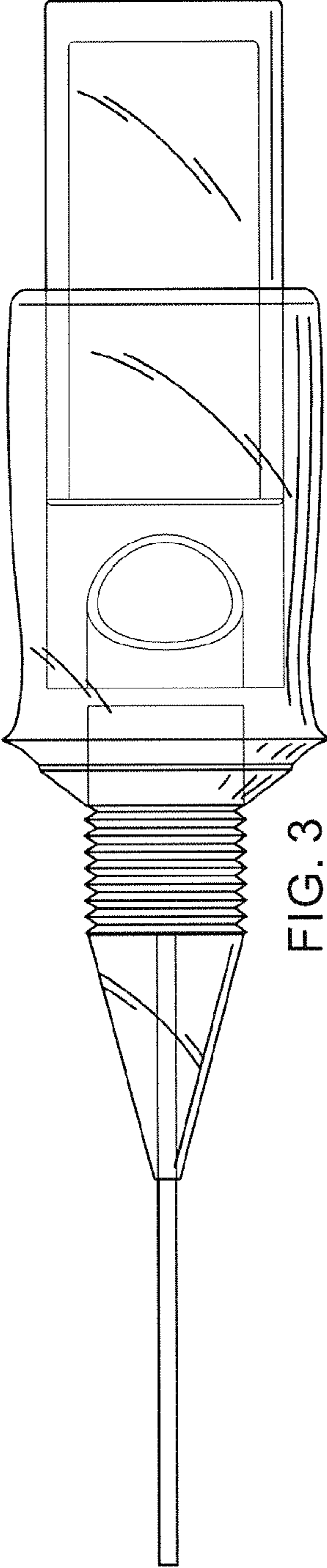


FIG. 3

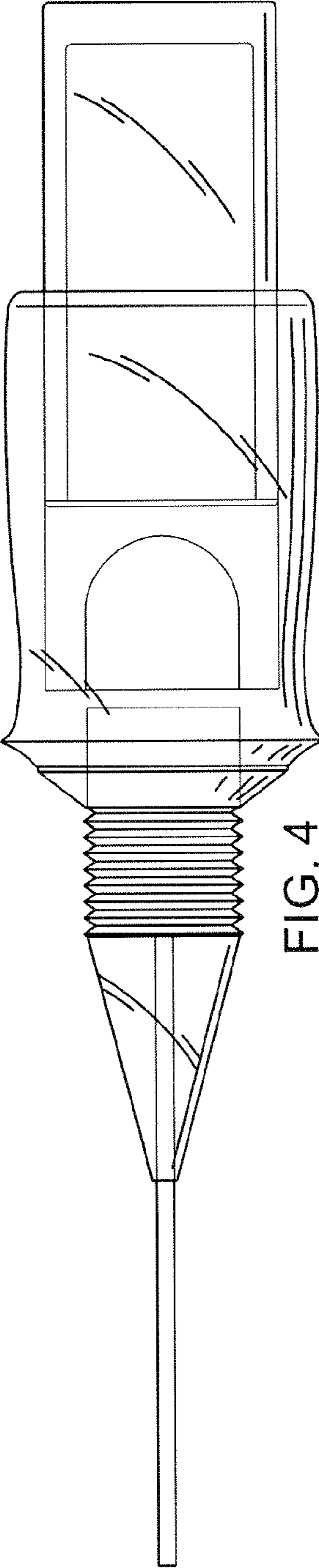


FIG. 4

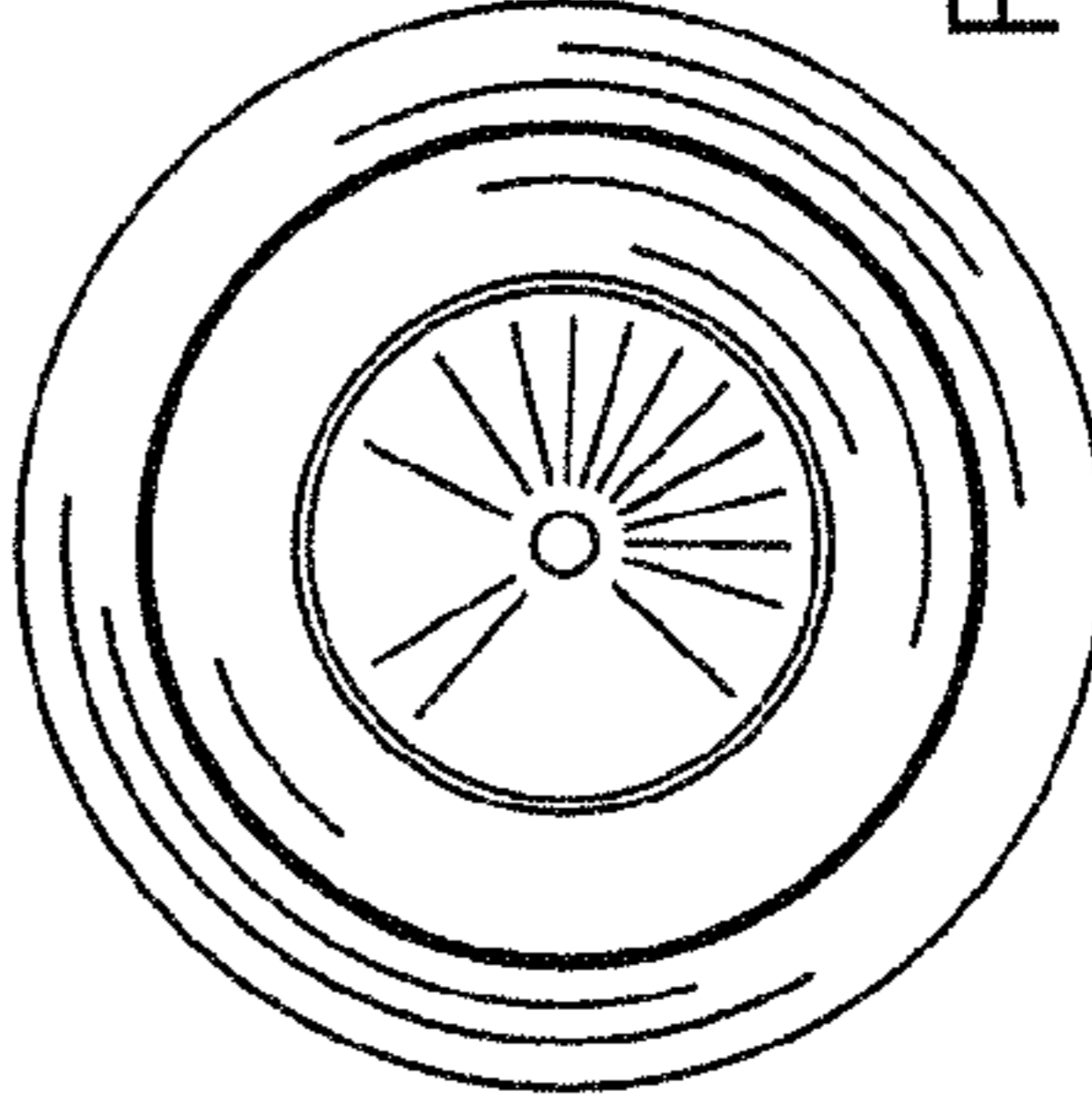


FIG. 5

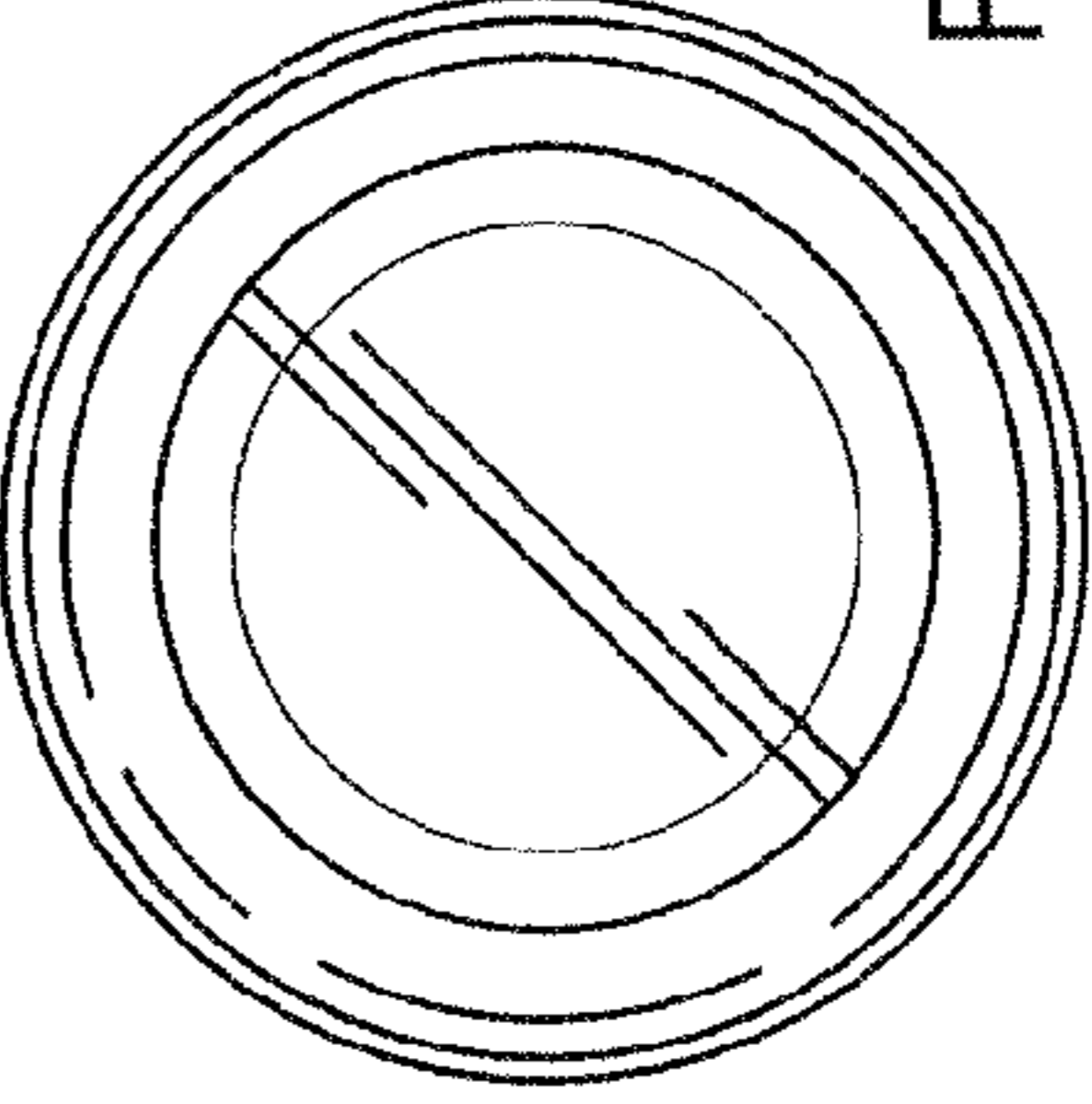


FIG. 6