



US00D771248S

(12) **United States Design Patent** (10) **Patent No.:** **US D771,248 S**
Ruiz, Sr. et al. (45) **Date of Patent:** **** Nov. 8, 2016**

(54) **DISPENSING APPLICATOR HAVING A CURVED ELONGATED NOZZLE**

D373,827 S * 9/1996 Polaniec D24/112
D436,661 S * 1/2001 Berry D24/114
D565,192 S * 3/2008 Tajima D24/222
D758,579 S * 6/2016 Keckstein D24/133

(71) Applicant: **Adhezion Biomedical, LLC**,
Wyomissing, PA (US)

* cited by examiner

(72) Inventors: **Rafael Ruiz, Sr.**, Hudson, NC (US);
Sheng Zhang, Hickory, NC (US);
Melissa Brent Hill, Granite Falls, NC (US)

Primary Examiner — Robert M Spear
Assistant Examiner — Eliza Bennett-Hattan
(74) *Attorney, Agent, or Firm* — Stradley Ronon Stevens & Young, LLP

(73) Assignee: **Adhezion Biomedical, LLC**,
Wyomissing, PA (US)

(**) Term: **14 Years**

(57) **CLAIM**
The ornamental design for a dispensing applicator having a curved elongated nozzle, substantially as shown and described.

(21) Appl. No.: **29/503,972**

(22) Filed: **Oct. 1, 2014**

(51) **LOC (10) Cl.** **24-02**

(52) **U.S. Cl.**
USPC **D24/133**

(58) **Field of Classification Search**
USPC D24/214, 137, 138, 177, 147, 222, 119,
D24/141, 133, 111; D8/16, 17, 19, 45, 21,
D8/24, 25, 29.1, 57, 69, 80, 82, 83, 88, 94,
D8/97, 107, 300, 303; D6/328; D10/61, 62
CPC A61C 17/0202; A61C 19/063; A61C 3/025;
A61C 19/002; A61L 2300/00; A61L 31/10;
A61L 31/16; A61L 2202/24; A61L 2/22;
A61M 39/10; A61M 5/30; A61M 16/0666;
A61M 3/0279; A61B 17/8808
See application file for complete search history.

DESCRIPTION

FIG. 1 is a perspective view of the ornamental design for the dispensing applicator;
FIG. 2 is another perspective view of the ornamental design for the dispensing applicator;
FIG. 3 is a bottom view of the ornamental design for the dispensing applicator;
FIG. 4 is a top view of the ornamental design for the dispensing applicator;
FIG. 5 is a side view of the ornamental design for the dispensing applicator;
FIG. 6 is an opposing side view of the ornamental design for the dispensing applicator;
FIG. 7 is a rear view of the ornamental design for the dispensing applicator; and,
FIG. 8 is a front view of the ornamental design for the dispensing applicator.

(56) **References Cited**

U.S. PATENT DOCUMENTS

D246,380 S * 11/1977 Boothby D24/222
D293,821 S * 1/1988 Vaillancourt D24/130

1 Claim, 4 Drawing Sheets

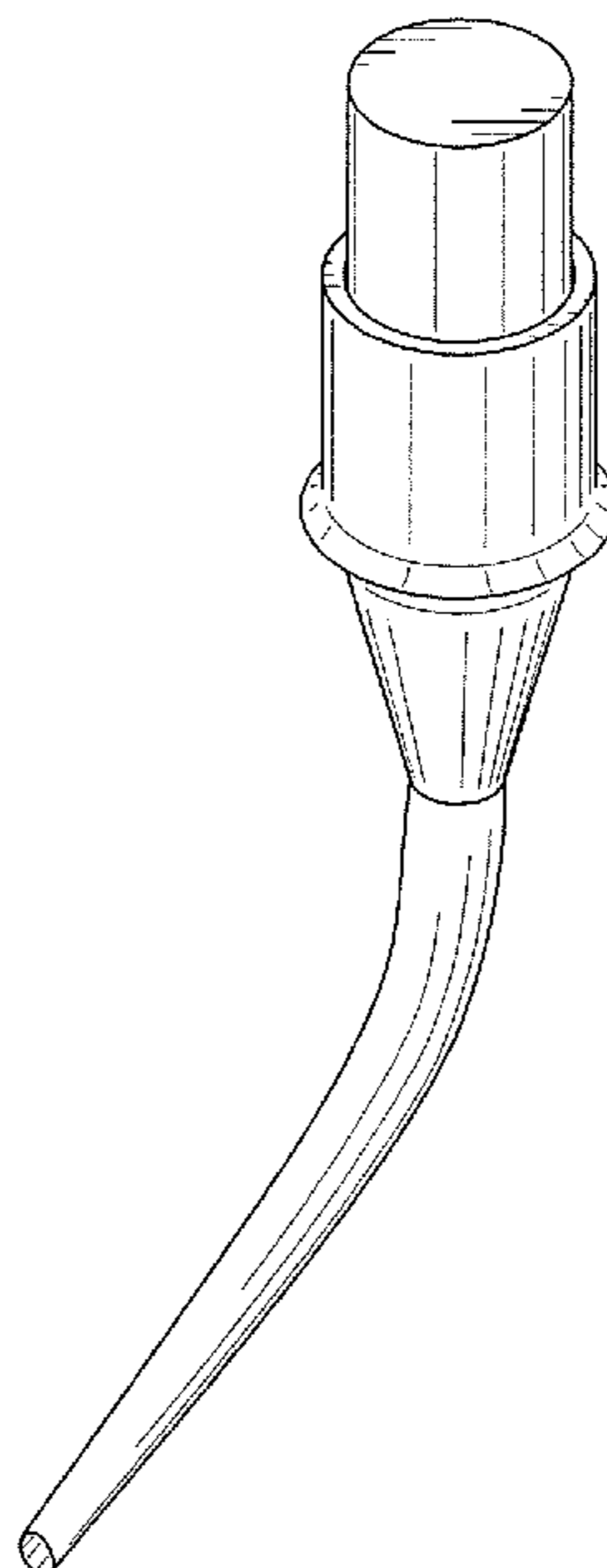


FIG. 1

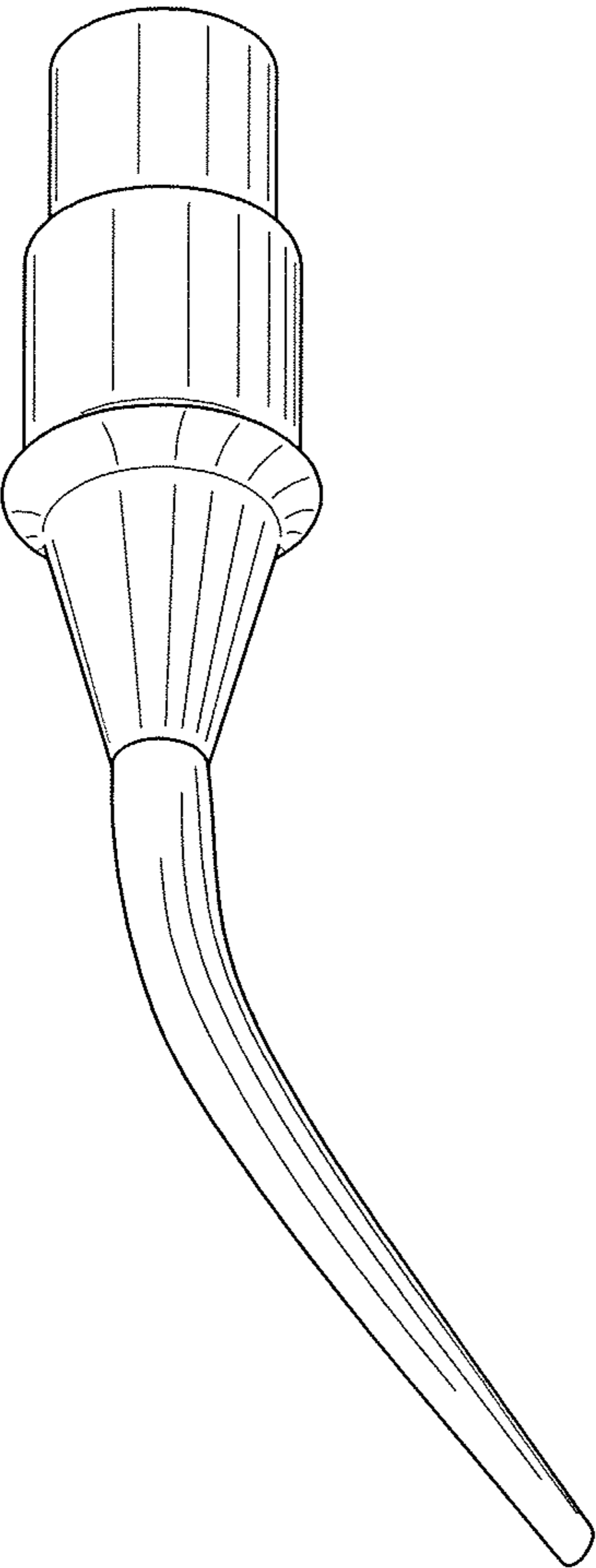
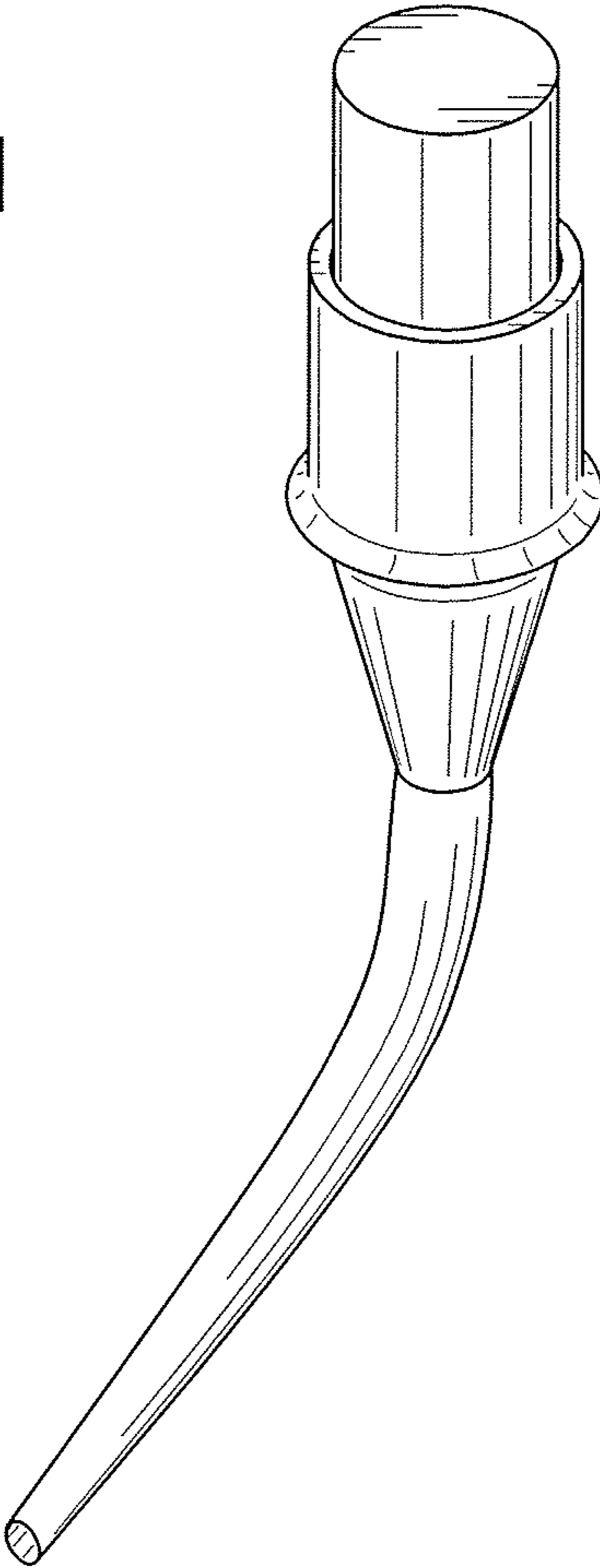


FIG. 2

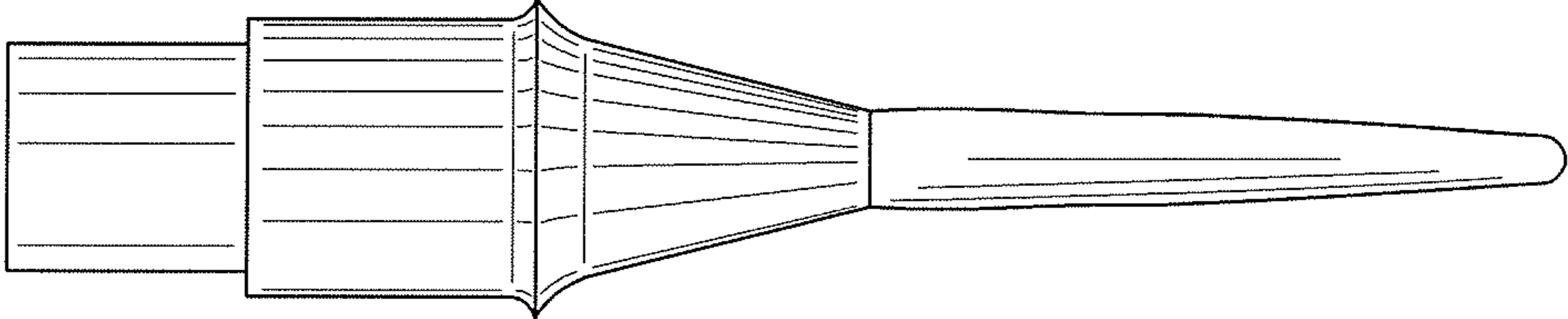


FIG. 4

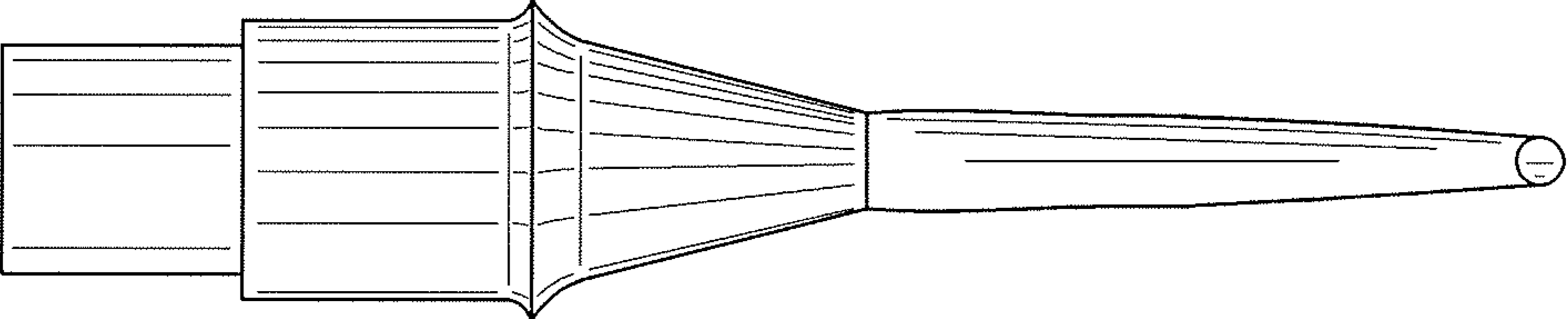


FIG. 3

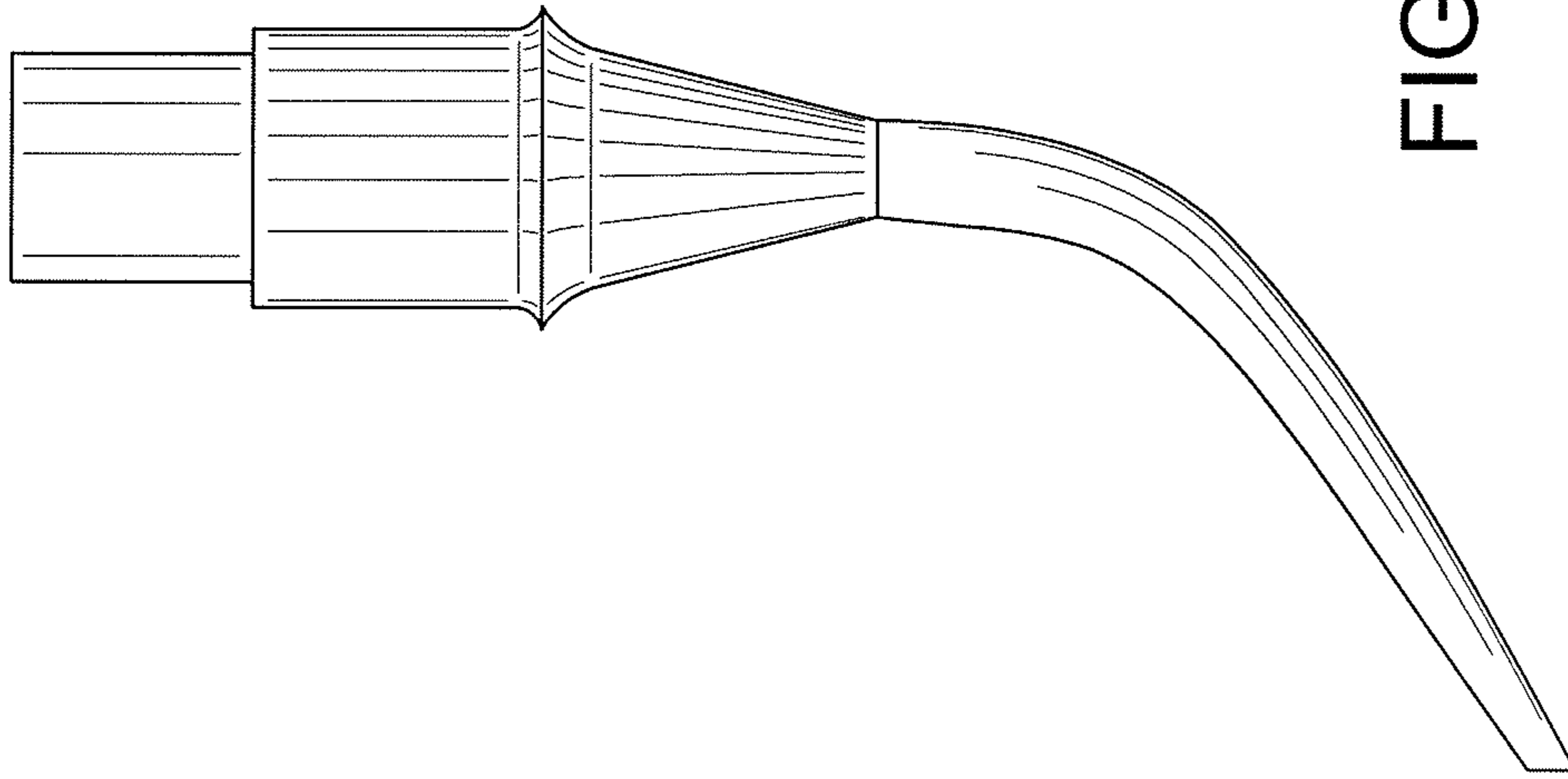


FIG. 6

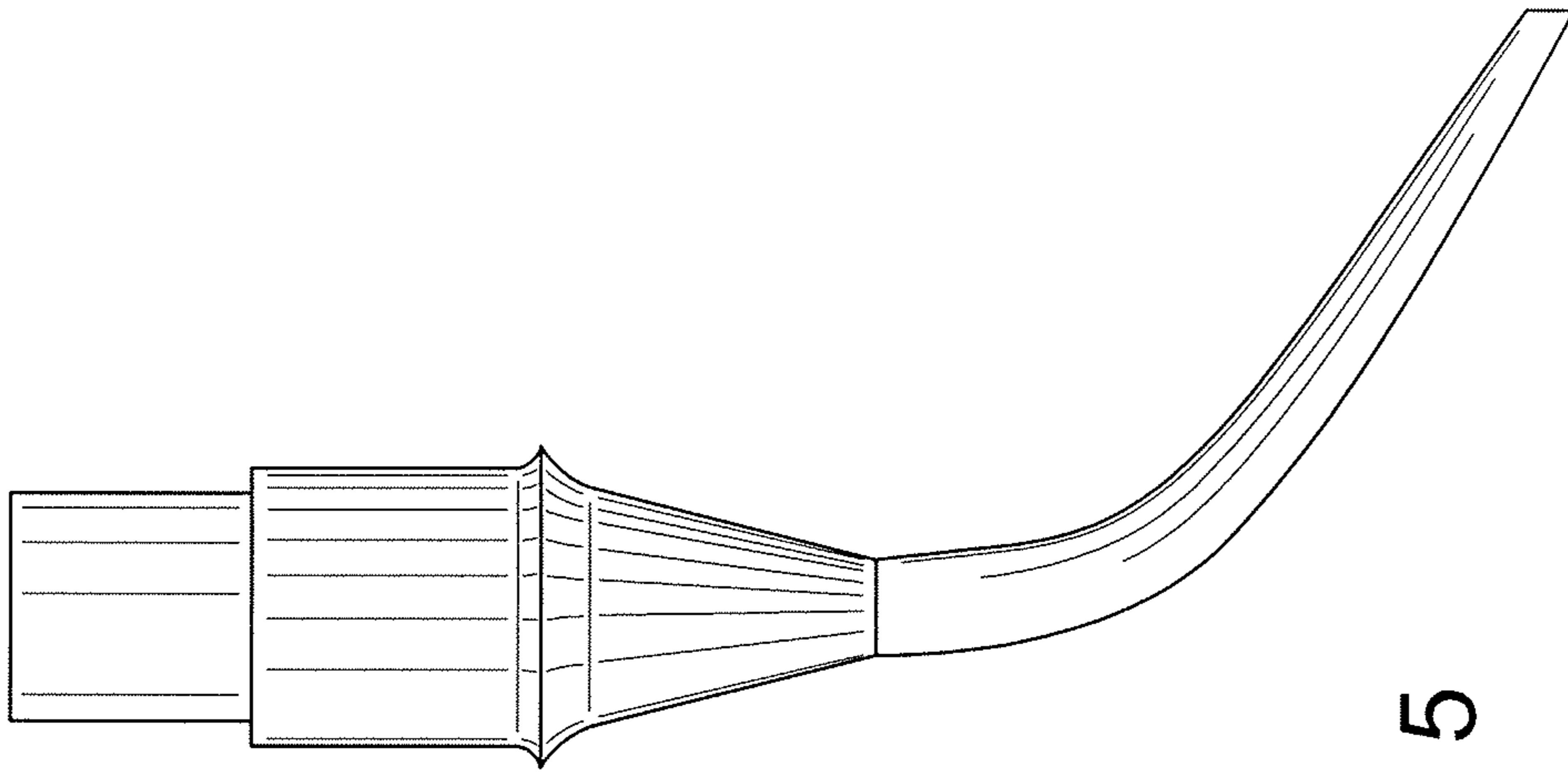


FIG. 5

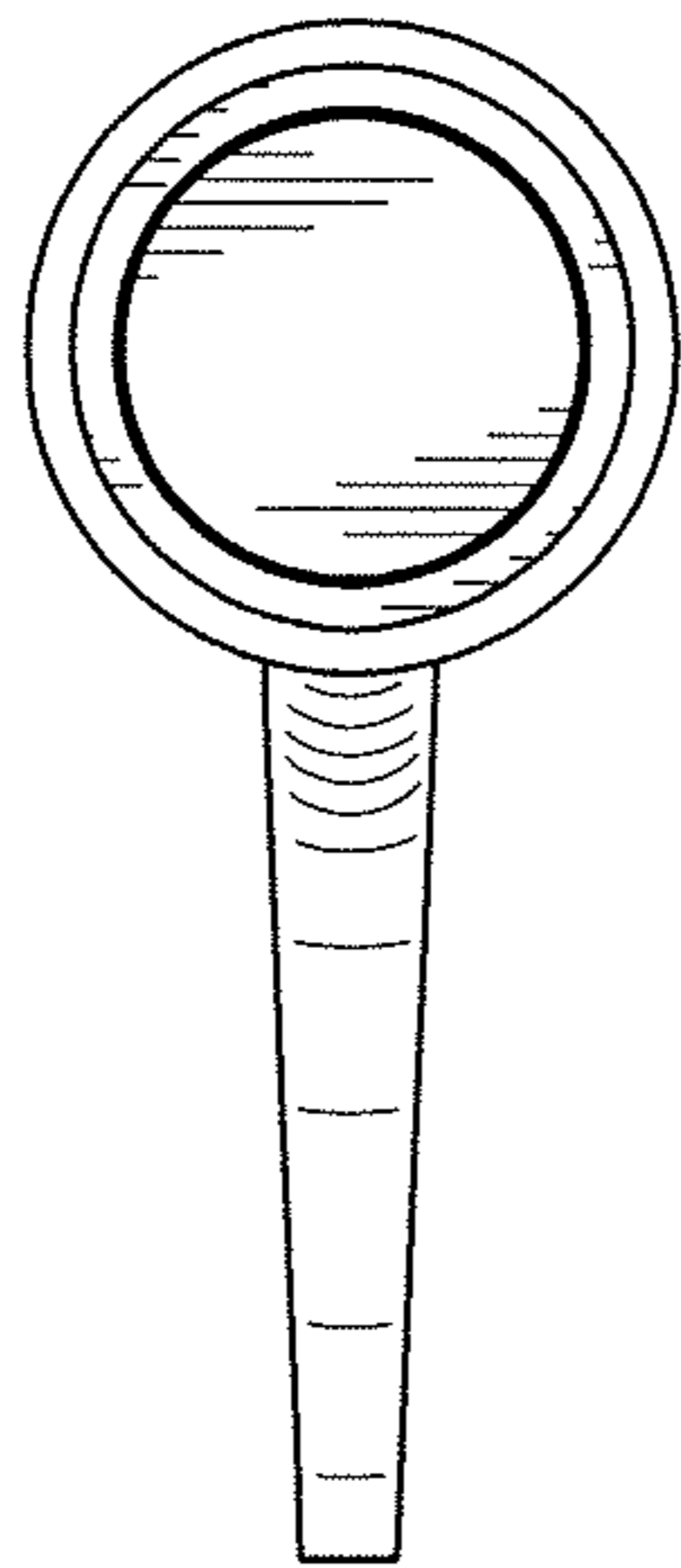


FIG. 7

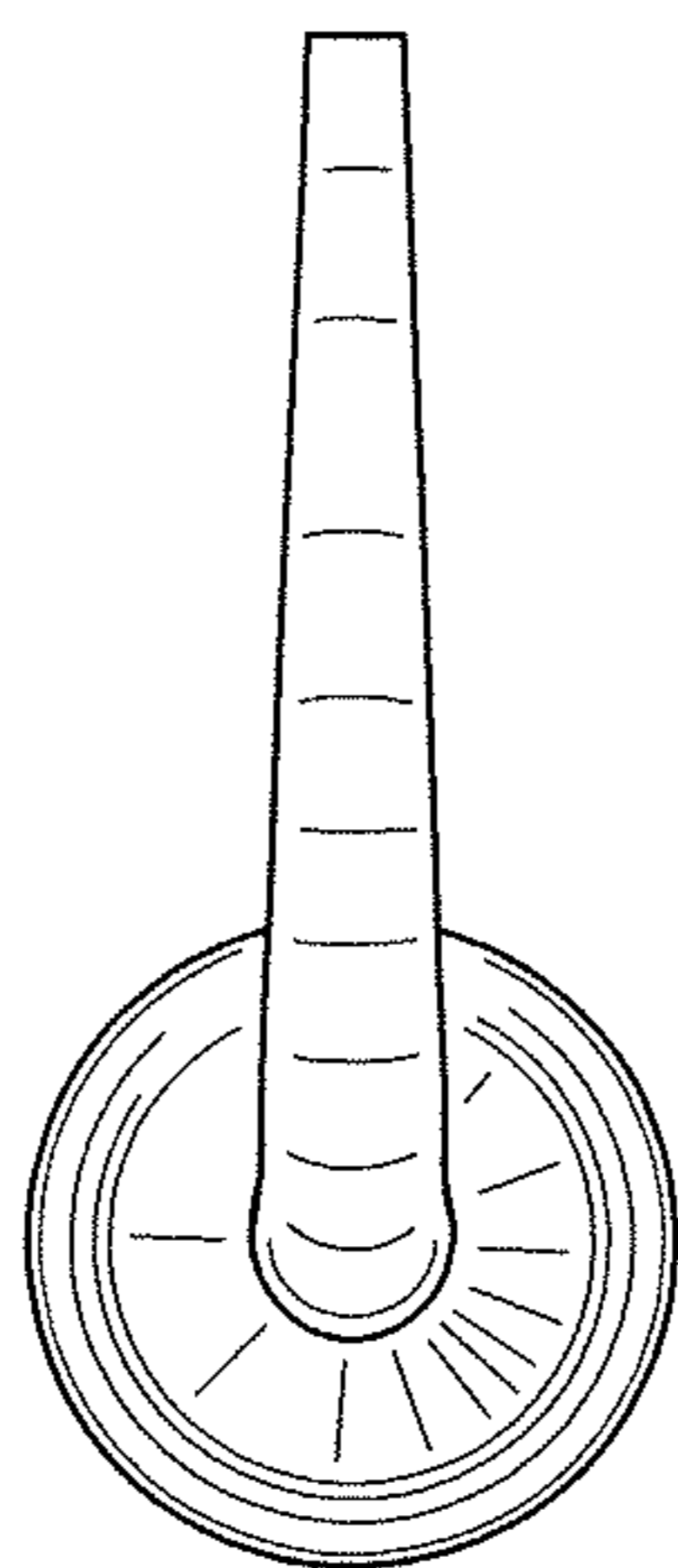


FIG. 8