



US00D771244S

(12) **United States Design Patent** (10) **Patent No.:** **US D771,244 S**
Takemoto et al. (45) **Date of Patent:** **** Nov. 8, 2016**

(54) **SYRINGE**

(71) Applicant: **Panasonic Healthcare Holdings Co., Ltd.**, Tokyo (JP)

(72) Inventors: **Masaki Takemoto**, Ehime (JP);
Noriyuki Shinohara, Ehime (JP);
Ryosuke Tani, Ehime (JP)

(73) Assignee: **PANASONIC HEALTHCARE HOLDINGS CO., LTD.**, Tokyo (JP)

(**) Term: **15 Years**

(21) Appl. No.: **29/531,258**

(22) Filed: **Jun. 24, 2015**

D695,391 S 12/2013 Takemoto et al.
D695,392 S 12/2013 Tani
D695,393 S 12/2013 Tani et al.
D695,394 S 12/2013 Takemoto et al.
D695,395 S 12/2013 Tani et al.
D700,319 S 2/2014 Tani et al.
D732,410 S * 6/2015 Waaler D10/81
D741,497 S * 10/2015 Aber D24/167
D741,995 S * 10/2015 Prasser D24/113
D745,167 S * 12/2015 Canas D10/78
D745,173 S * 12/2015 Marzynski D24/186
D748,807 S * 2/2016 Wawro D24/186
D749,724 S * 2/2016 Shi D24/130
D751,706 S * 3/2016 Chambers D13/167
D752,763 S * 3/2016 Rondoni D24/186
D753,810 S * 4/2016 Chang D24/108
D756,505 S * 5/2016 Park D24/112
D759,254 S * 6/2016 Knieriem D24/186

(30) **Foreign Application Priority Data**

Dec. 26, 2014 (JP) 2014-029399

(51) **LOC (10) Cl.** **24-02**

(52) **U.S. Cl.**
USPC **D24/113**

(58) **Field of Classification Search**
USPC D24/112–114, 108, 133, 130, 127, 186;
606/181, 185; 604/264, 272, 187, 181,
604/184, 227
CPC A61M 5/178; A61M 3/00; A61M 5/20;
A61M 5/31; A61M 5/3146; A61M 5/3129;
A61M 5/3148; A61M 5/315
See application file for complete search history.

(56) **References Cited**

U.S. PATENT DOCUMENTS

D428,493 S * 7/2000 Radwanski D10/81
D471,976 S 3/2003 Pavlu et al.
D476,078 S 6/2003 Pavlu et al.
D476,734 S 7/2003 Pavlu et al.
D479,325 S 9/2003 Tyce
D479,598 S 9/2003 Tyce
D479,746 S 9/2003 Tyce
D554,753 S 11/2007 Prasser et al.

OTHER PUBLICATIONS

Decision to Grant and Notice in corresponding Japanese Application No. 2014-029399, dated Jun. 30, 2015, 2 pages.

* cited by examiner

Primary Examiner — David Muller
(74) *Attorney, Agent, or Firm* — Brinks Gilson & Lione

(57) **CLAIM**
We claim the ornamental design for a syringe, as shown and described.

DESCRIPTION

FIG. 1 is a front and top perspective view of a syringe of the present invention;
FIG. 2 is a rear and bottom perspective view thereof;
FIG. 3 is a front view thereof;
FIG. 4 is a rear view thereof;
FIG. 5 is a first side view thereof;
FIG. 6 is a second side view thereof;
FIG. 7 is a top view thereof; and,
FIG. 8 is a bottom view thereof.

1 Claim, 8 Drawing Sheets

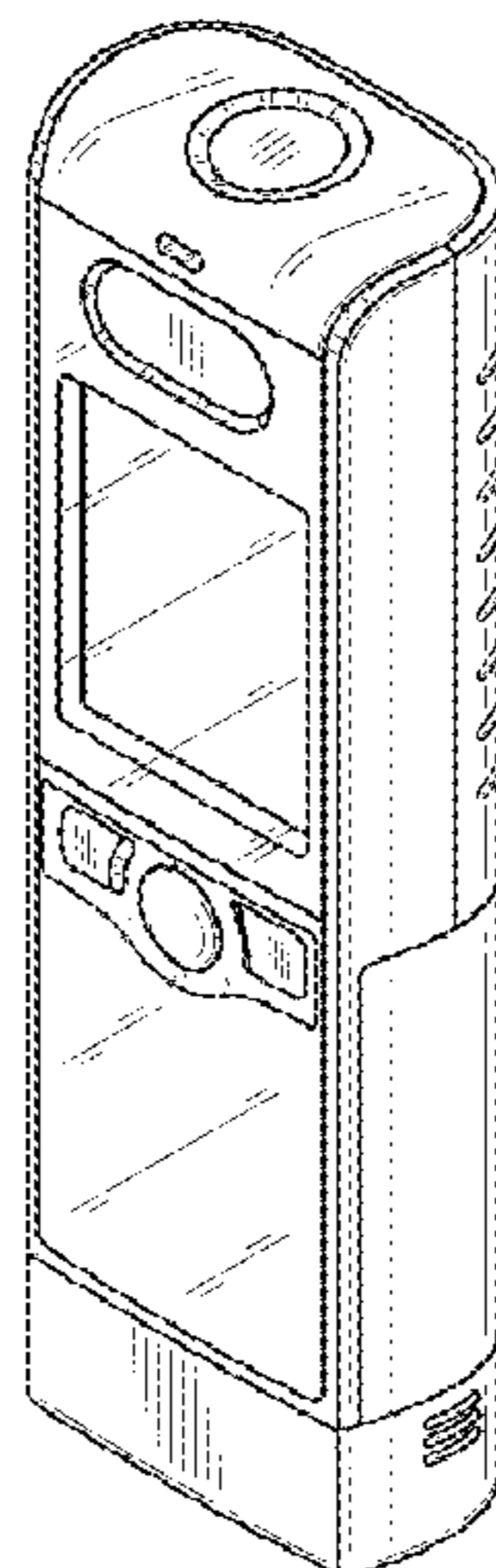


FIG. 1

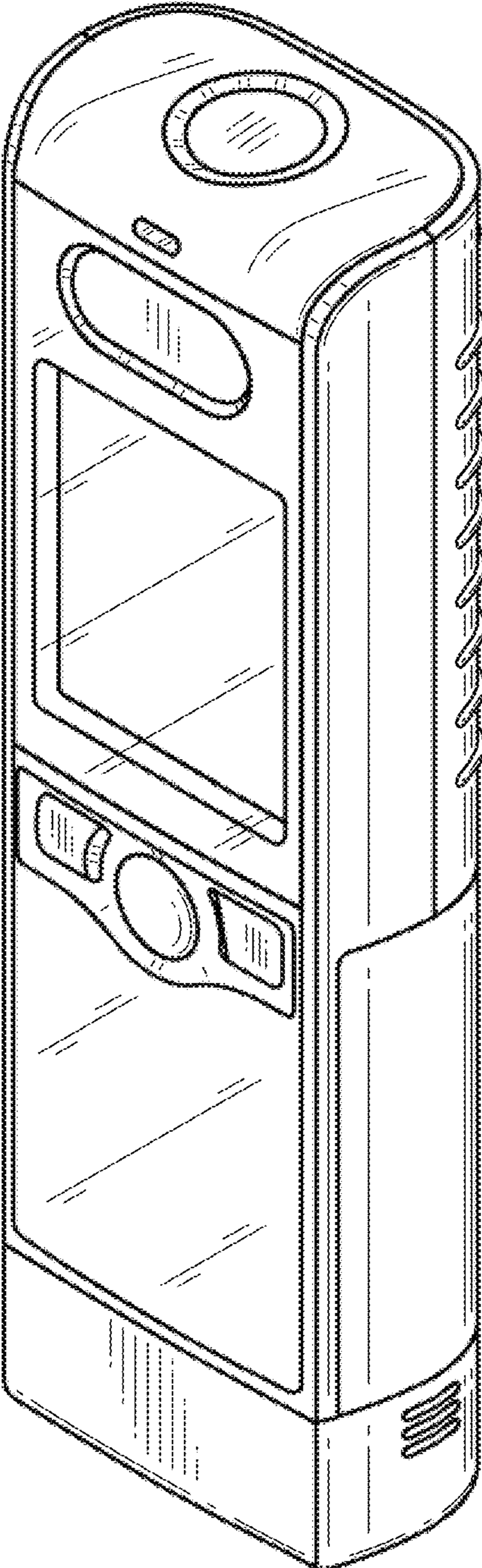


FIG. 2

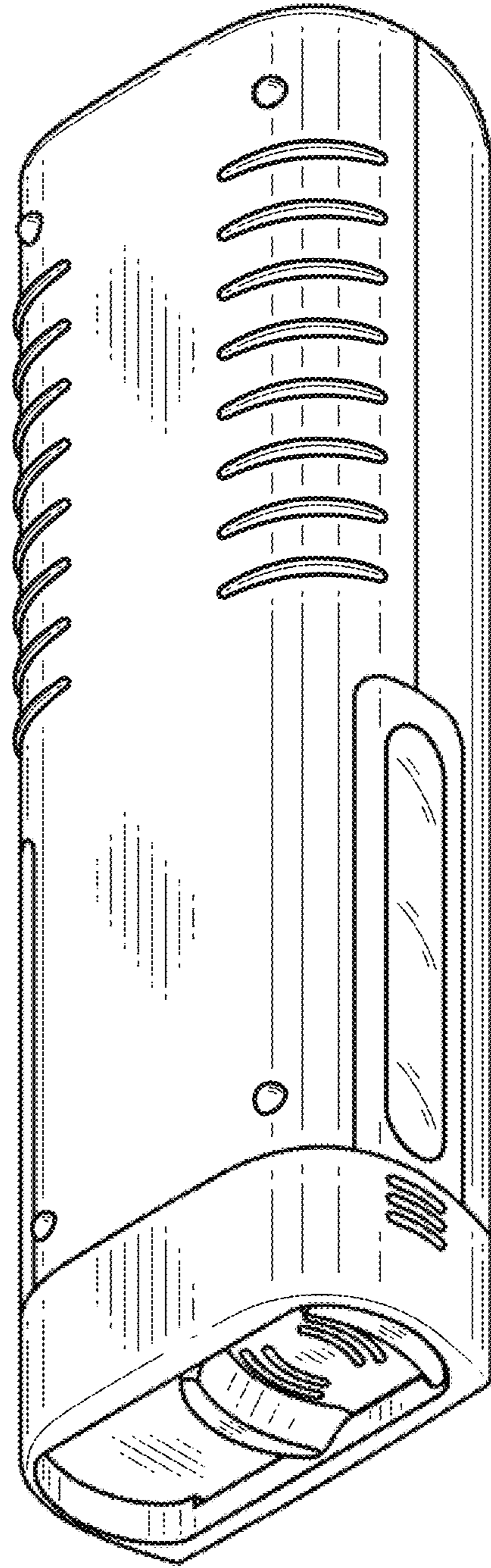


FIG. 3

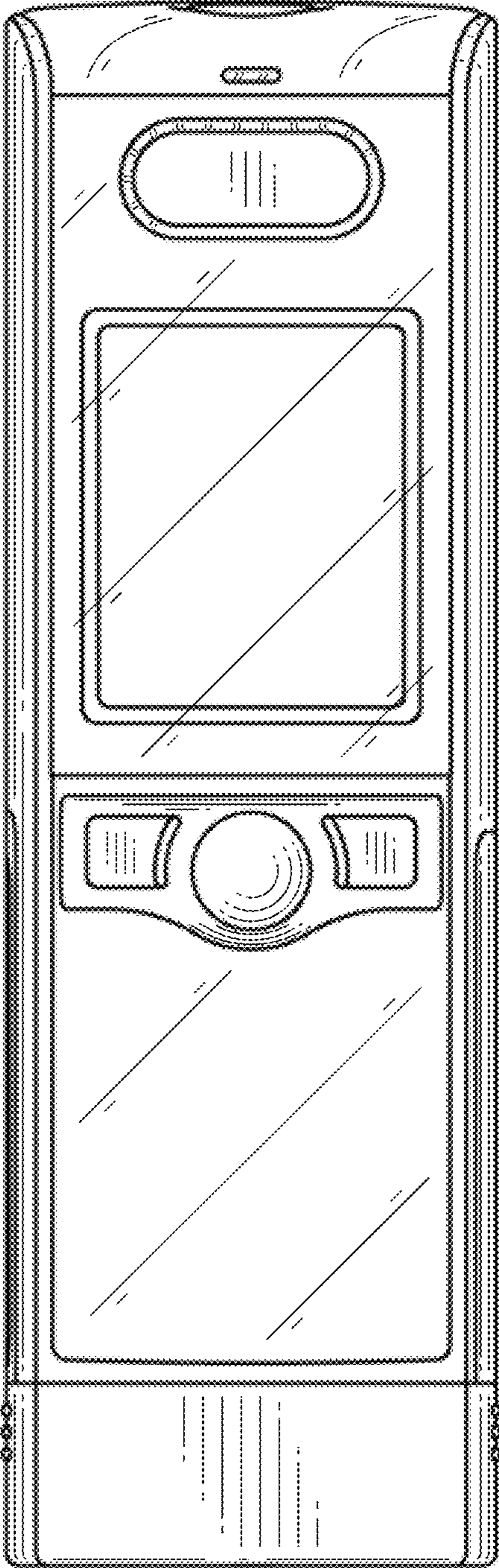


FIG. 4

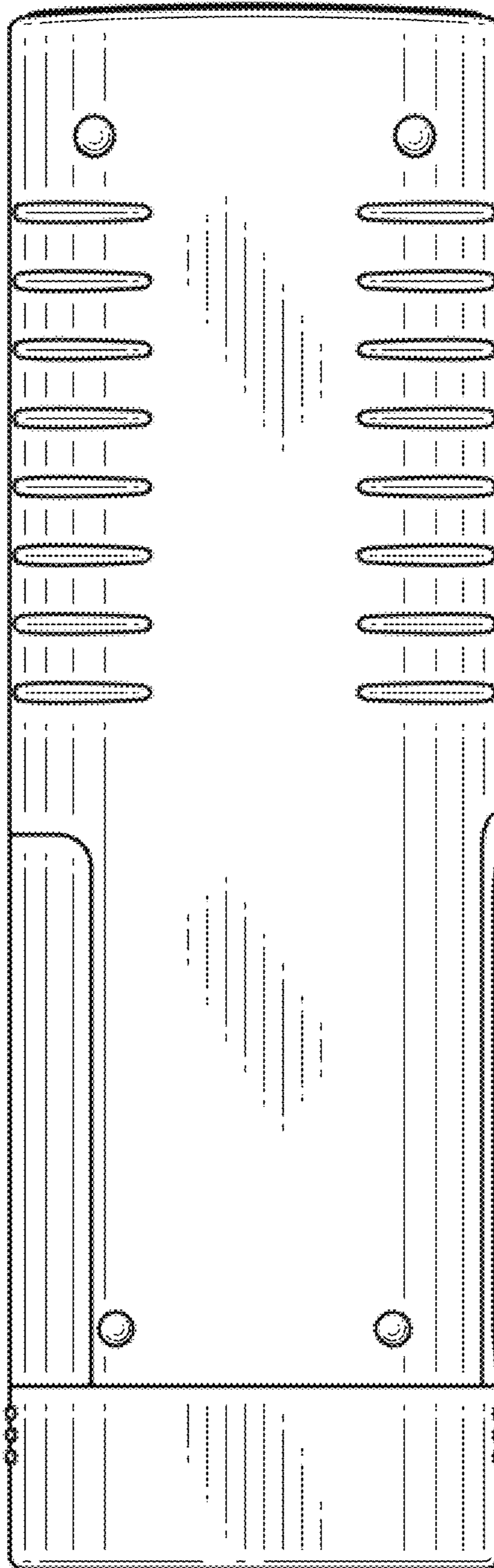


FIG. 5

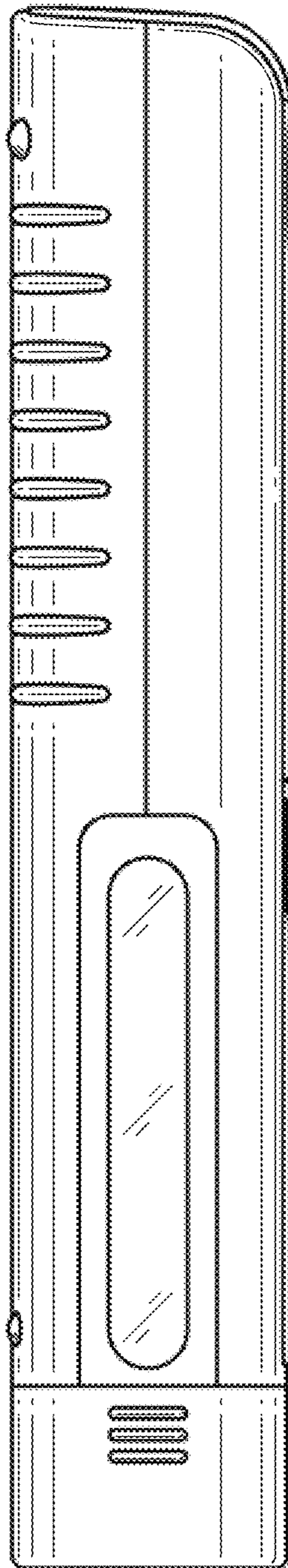


FIG. 6

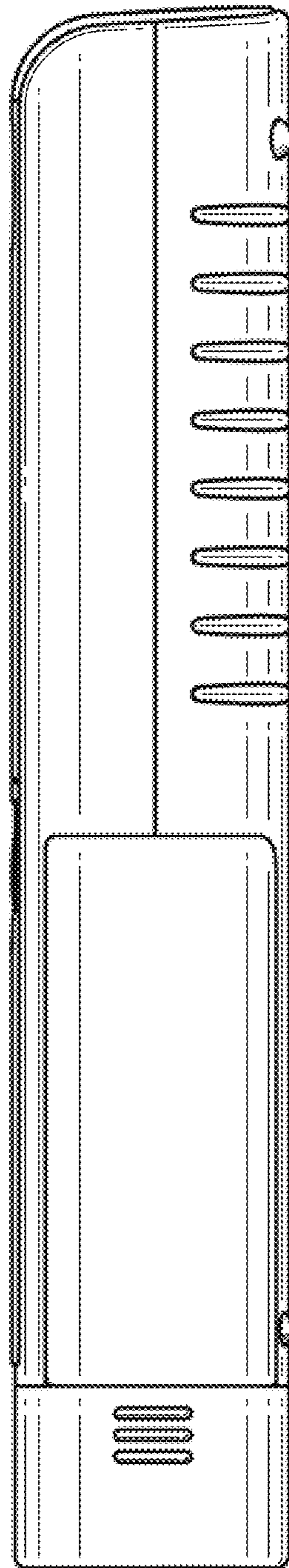


FIG. 7

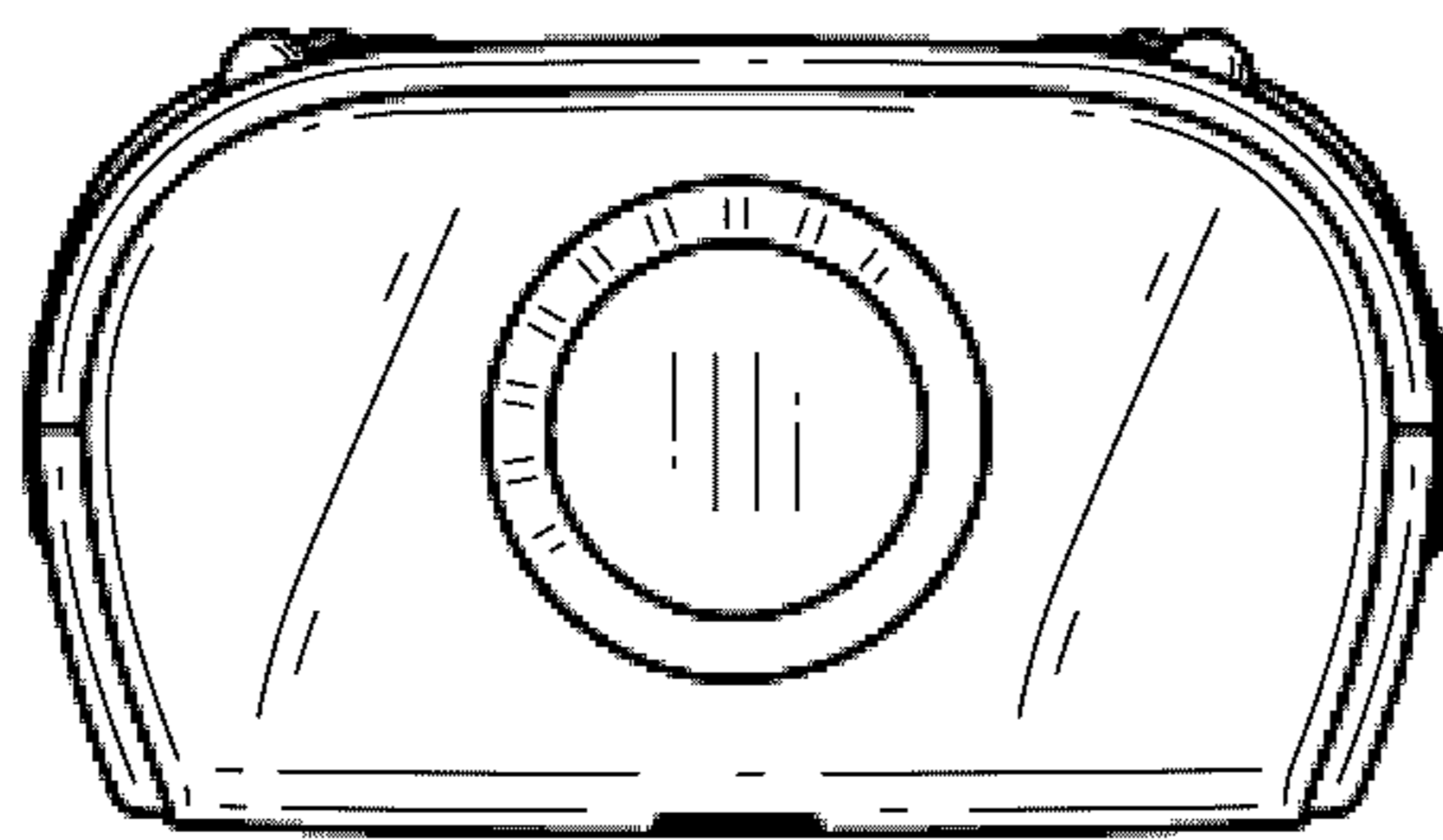


FIG. 8

