



US00D771243S

(12) **United States Design Patent**
DiMino et al.

(10) **Patent No.:** **US D771,243 S**

(45) **Date of Patent:** **** Nov. 8, 2016**

(54) **APPLICATOR**

(71) Applicant: **ORIGIN, INC.**, Princeton, NJ (US)

(72) Inventors: **Andre DiMino**, Woodcliff Lake, NJ (US); **Matthew Drummer**, Fort Lee, NJ (US); **Mikolaj Mlynek**, West New York, NJ (US); **Howard A. Nelson, III**, Lawrenceville, NJ (US); **Michael D. Preston**, Orangeburg, NY (US)

(73) Assignee: **Origin, Inc.**, Princeton, NJ (US)

(**) Term: **14 Years**

(21) Appl. No.: **29/495,119**

(22) Filed: **Jun. 27, 2014**

(51) **LOC (10) Cl.** **24-02**

(52) **U.S. Cl.**
USPC **D24/113**

(58) **Field of Classification Search**
USPC D24/112-114, 133, 186, 104, 130, 127, D24/119; D28/7, 8, 20-22, 30-31, 76, 85, D28/99; 606/181, 185; 604/264, 272, 115, 604/232, 187, 158, 164.08, 192, 263, 163, 604/181, 184, 198, 227; 132/108, 202, 208, 132/317, 320; 401/202-207, 261-267
CPC A61K 2300/00; A61K 45/06; A61K 9/0014; A61L 31/16
See application file for complete search history.

(56) **References Cited**

U.S. PATENT DOCUMENTS

D253,073 S * 10/1979 Anderson D28/13
D263,635 S * 3/1982 Wendt D24/114

D281,535 S * 11/1985 Atkinson D24/113
D363,777 S * 10/1995 Rees D24/113
5,725,722 A * 3/1998 Eshleman A47G 27/0443
156/304.6
D398,418 S * 9/1998 Garrett D28/13
D545,427 S * 6/2007 Gibson D24/113
D545,428 S * 6/2007 Stammberger D24/113
D568,992 S * 5/2008 Bacher D24/133
D593,677 S * 6/2009 Mudd D24/113
D681,275 S * 4/2013 Huang D28/13
D721,805 S * 1/2015 Hilliard D24/128

* cited by examiner

Primary Examiner — David Muller
Assistant Examiner — Nathan Johnston

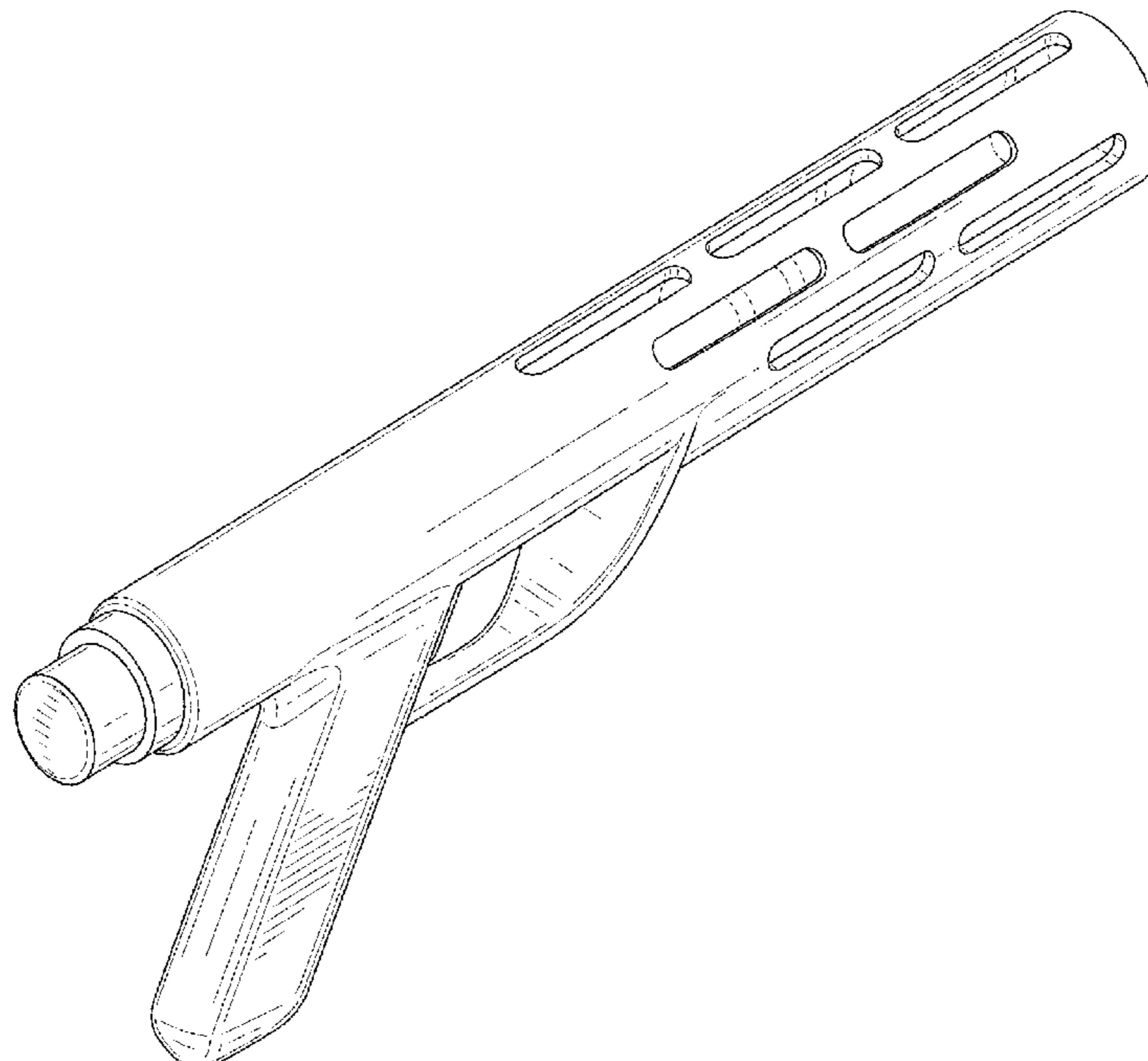
(57) **CLAIM**

The ornamental design for an applicator, substantially as shown and described.

DESCRIPTION

FIG. 1 is a perspective view of our new design;
FIG. 2 is a front elevation view thereof;
FIG. 3 is a rear elevation view thereof;
FIG. 4 is a right side elevation view thereof;
FIG. 5 is a left side elevation view thereof;
FIG. 6 is a top plan view thereof; and,
FIG. 7 is a bottom plan view thereof.
The broken lines in the figures illustrate the portions of the design that form no part of the claimed design.

1 Claim, 5 Drawing Sheets



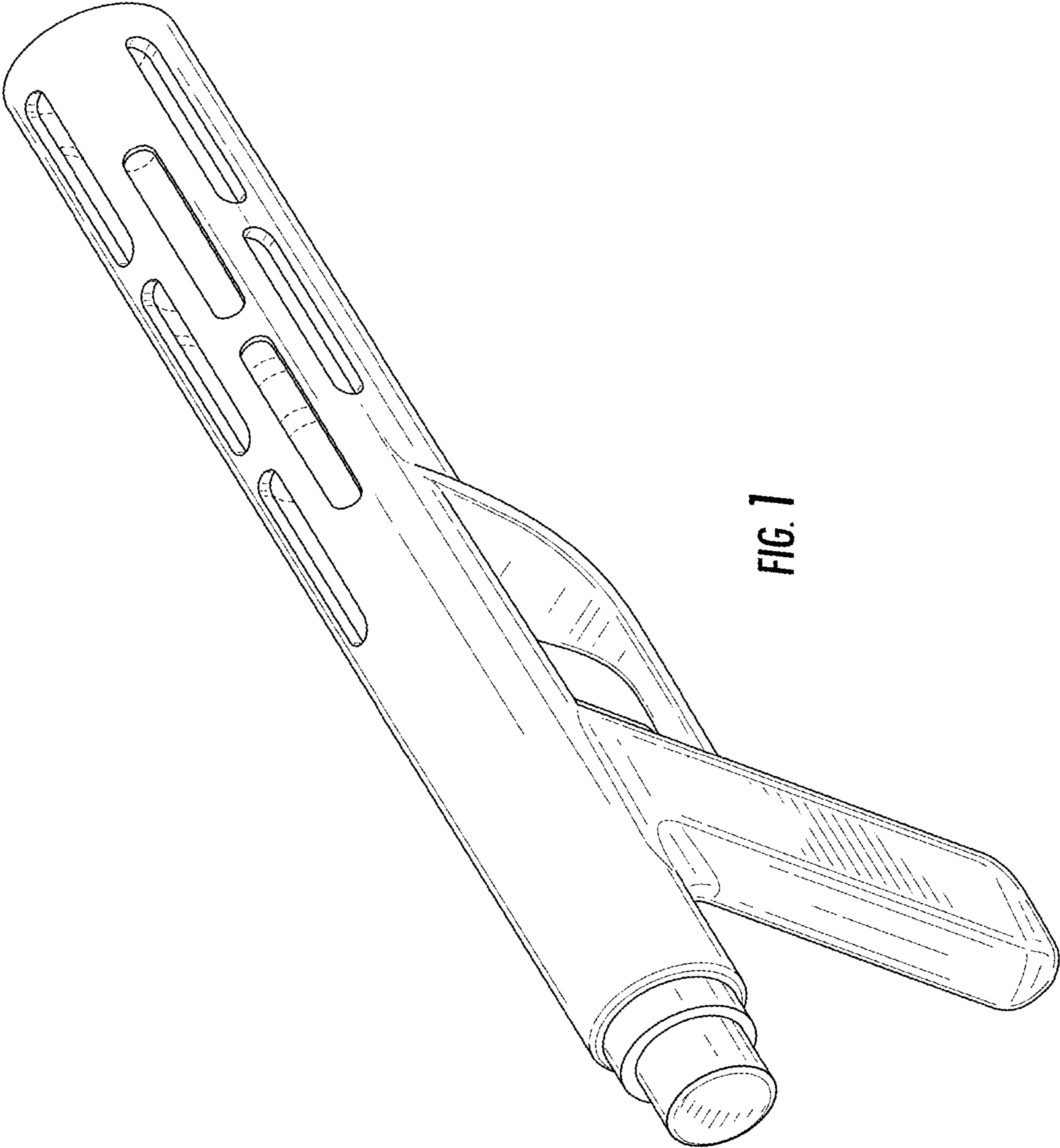


FIG. 1

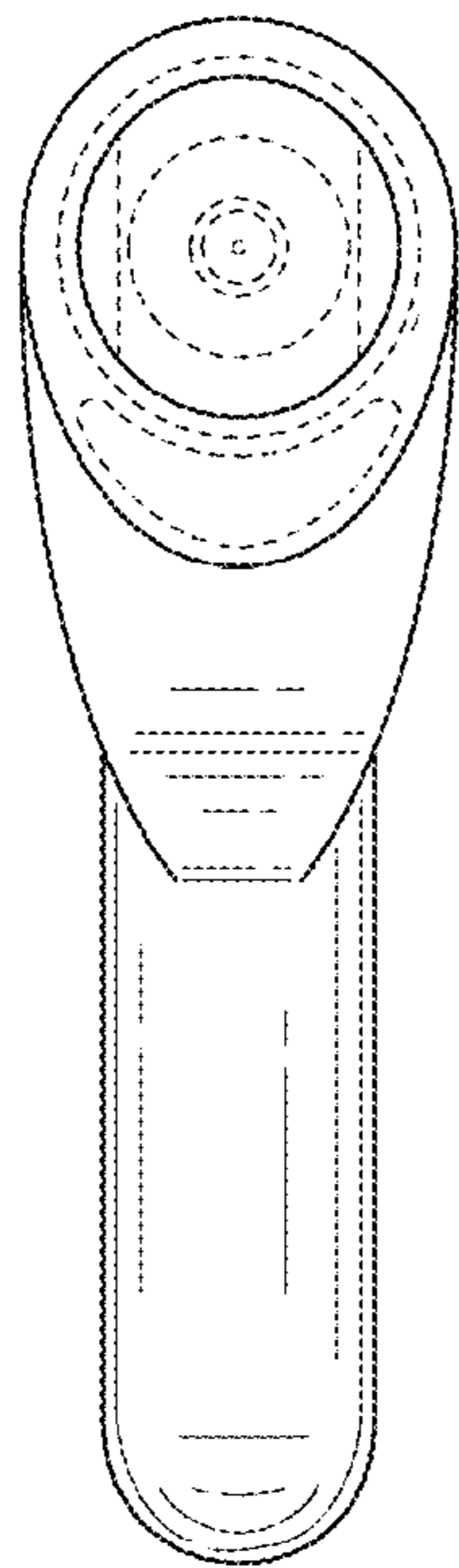


FIG. 2

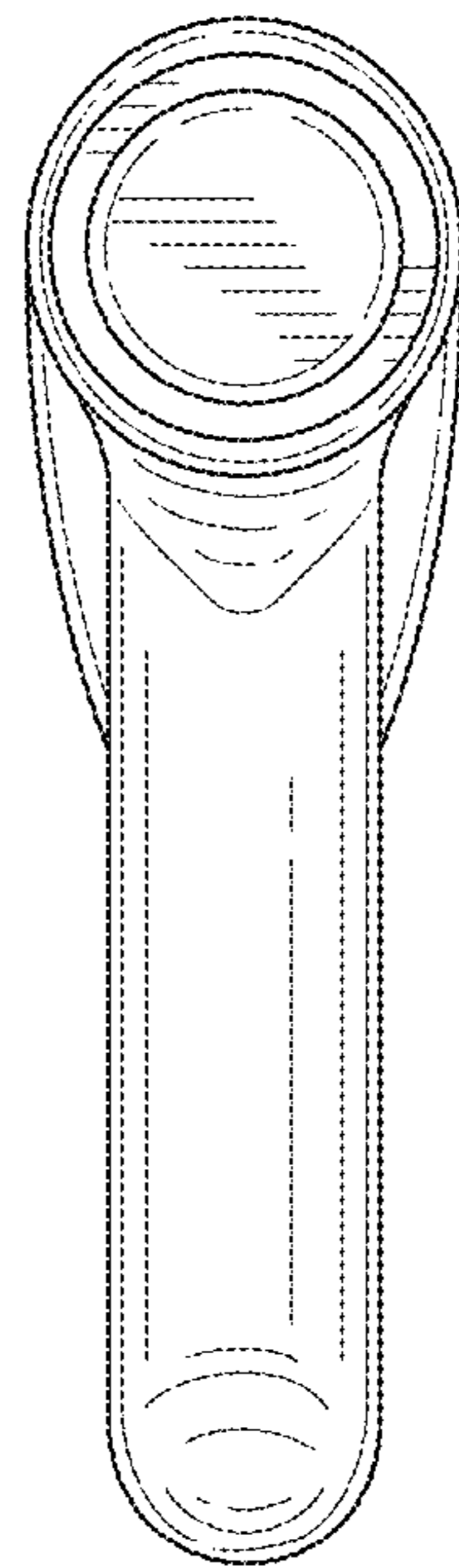


FIG. 3

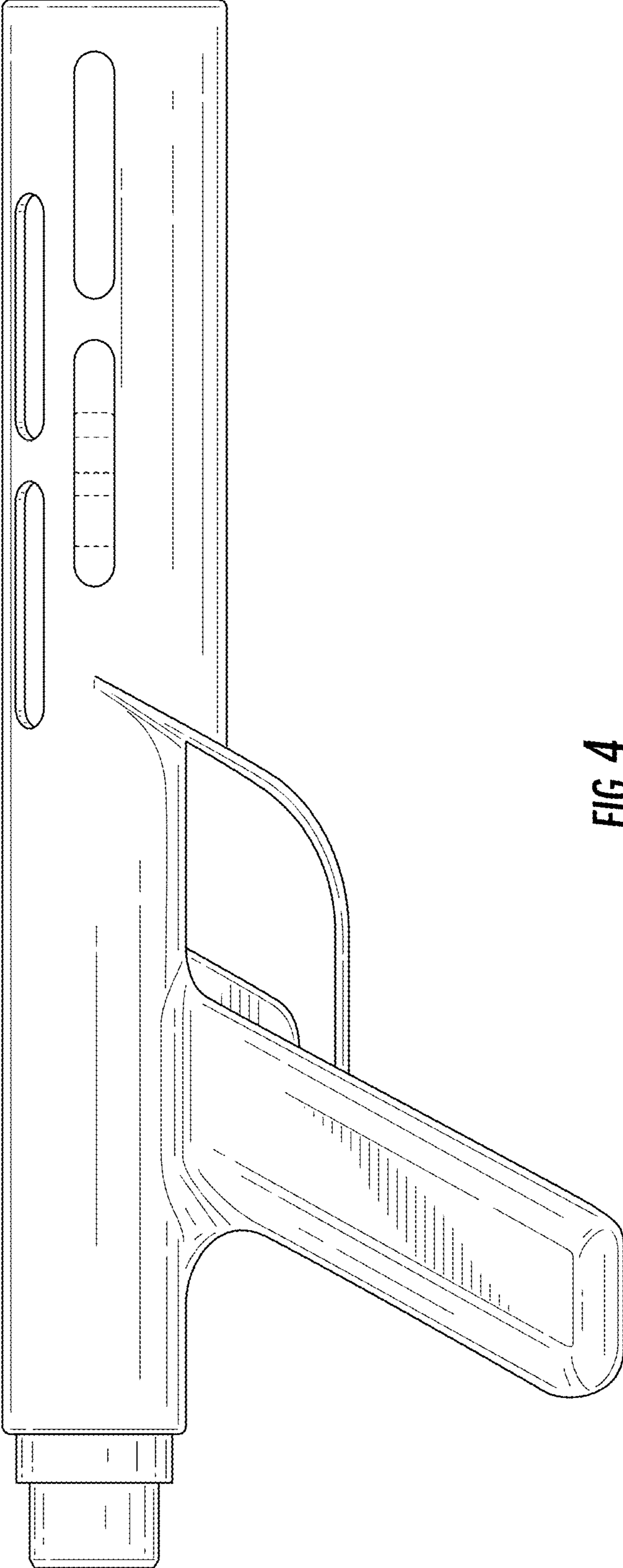


FIG. 4

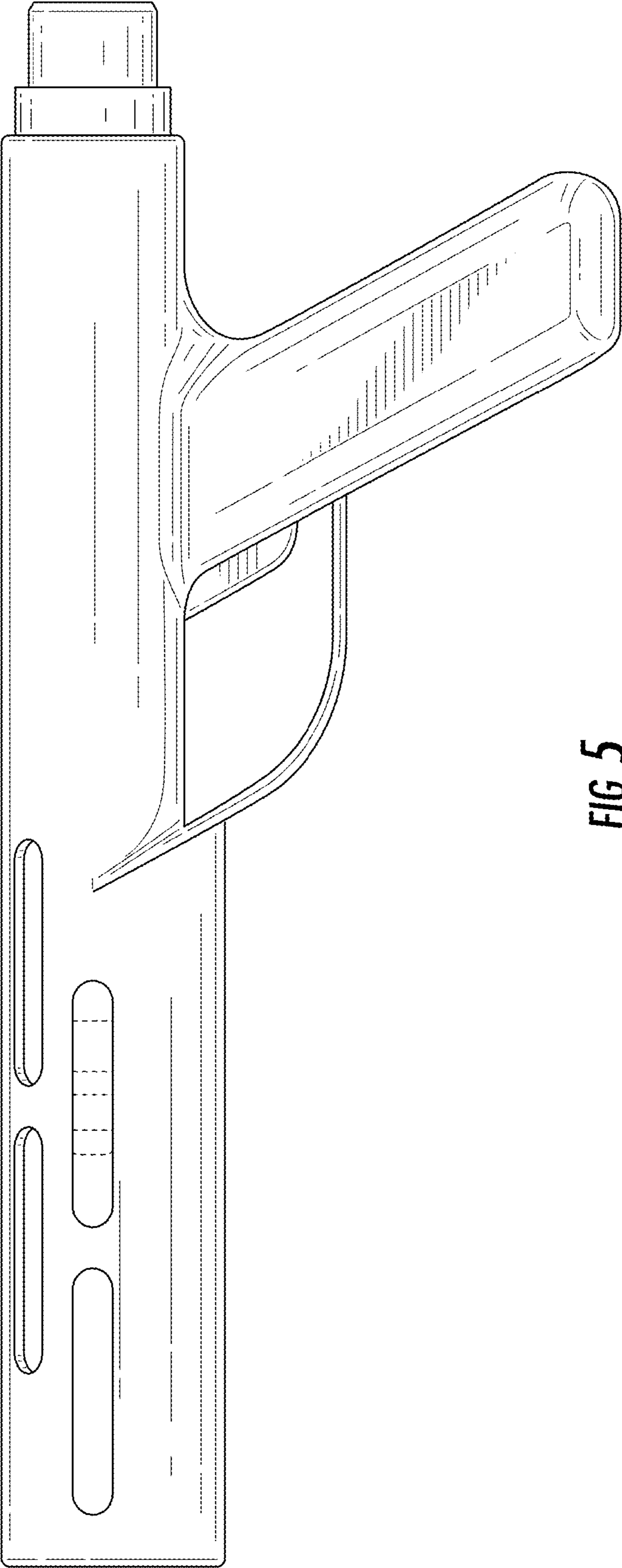


FIG. 5

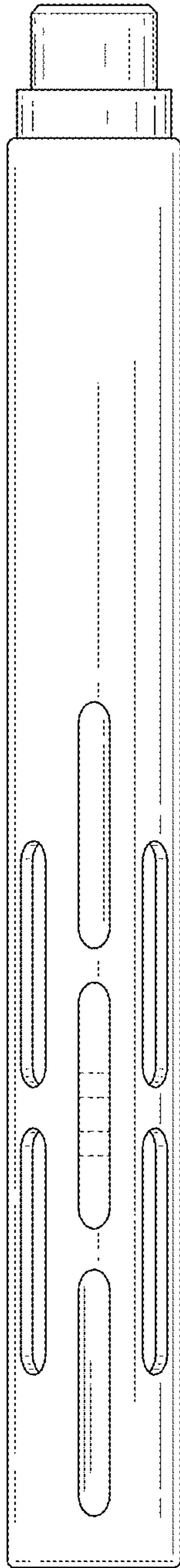


FIG. 6

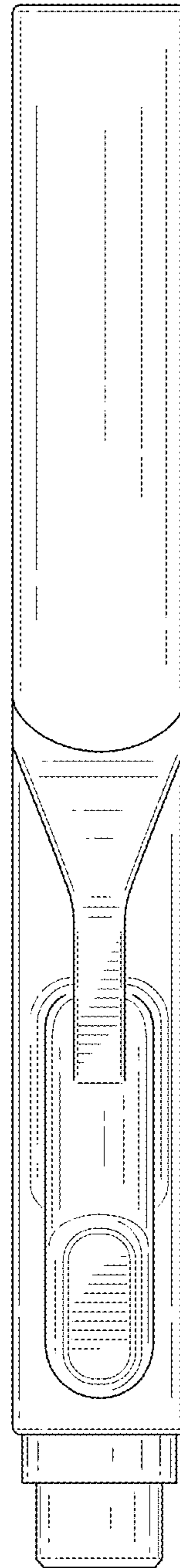


FIG. 7