



US00D771242S

(12) **United States Design Patent**  
**Kaufmann et al.**

(10) **Patent No.:** **US D771,242 S**

(45) **Date of Patent:** **\*\* Nov. 8, 2016**

- (54) **CANNULA**
- (71) Applicant: **enmodes GmbH**, Aachen (DE)
- (72) Inventors: **Tim Kaufmann**, Aachen (DE); **Ralf Borchardt**, Aachen (DE)
- (73) Assignee: **enmodes GmbH**, Aachen (DE)
- (\*\*) Term: **15 Years**
- (21) Appl. No.: **29/538,308**
- (22) Filed: **Sep. 2, 2015**
- (30) **Foreign Application Priority Data**  
Apr. 10, 2015 (DE) ..... 40 2015 000 612
- (51) **LOC (10) Cl.** ..... **24-02**
- (52) **U.S. Cl.**  
USPC ..... **D24/112**
- (58) **Field of Classification Search**  
USPC ..... D24/112-114, 108, 133, 130, 127, 186;  
606/181, 185; 604/264, 272, 187, 181,  
604/184, 227; 600/101, 139, 143;  
128/200.24, 207.14, 207.15  
CPC ..... A61M 5/178; A61M 3/00; A61M 5/20;  
A61M 5/31; A61M 5/3146; A61M 5/3129;  
A61M 5/3148; A61M 5/315  
See application file for complete search history.

- 5,609,149 A \* 3/1997 Takach ..... A61M 1/0009  
128/200.24
- 5,769,073 A \* 6/1998 Eason ..... A61M 15/0045  
128/200.21
- 6,135,111 A \* 10/2000 Mongeon ..... A61M 16/04  
128/200.21
- 6,517,477 B1 \* 2/2003 Wendlandt ..... A61B 1/00156  
600/114
- 6,568,388 B2 \* 5/2003 Christopher ..... A61M 16/0488  
128/200.26
- D594,553 S \* 6/2009 Stonehouse ..... D24/112
- 7,682,353 B2 \* 3/2010 Tanghoj ..... A61F 5/44  
604/163
- 8,001,964 B2 \* 8/2011 McDonald ..... A61M 16/0488  
128/200.26
- 8,220,462 B2 \* 7/2012 Coates ..... A61M 16/0465  
128/207.14
- D678,522 S \* 3/2013 Gustavsson ..... D24/130
- 8,408,210 B2 \* 4/2013 Curley ..... A61M 16/04  
128/207.15

\* cited by examiner

*Primary Examiner* — David Muller

(74) *Attorney, Agent, or Firm* — Andrew Wilford

(57) **CLAIM**

The ornamental design for a cannula, as shown and described.

**DESCRIPTION**

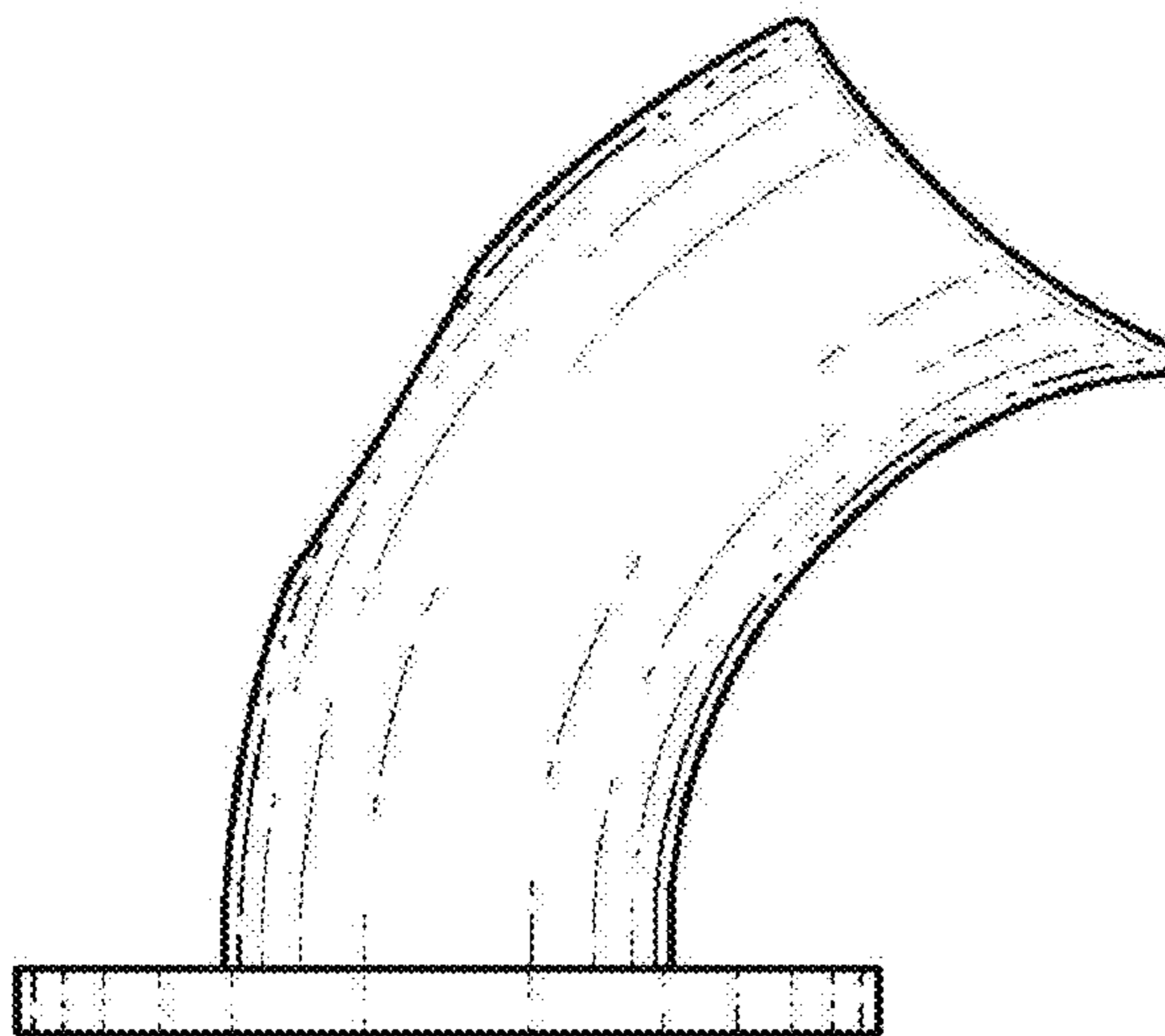
FIG. 1 is a top view of the invention;  
FIG. 2 is a bottom view of the invention;  
FIG. 3 is a left-side view of the invention, the right-side view being a mirror image thereof;  
FIG. 4 is a front view of the invention; and,  
FIG. 5 is a back view of the invention.

**1 Claim, 1 Drawing Sheet**

(56) **References Cited**

U.S. PATENT DOCUMENTS

- D287,165 S \* 12/1986 Lipsky ..... D24/112
- 4,919,126 A \* 4/1990 Baildon ..... A61M 16/0488  
128/200.26



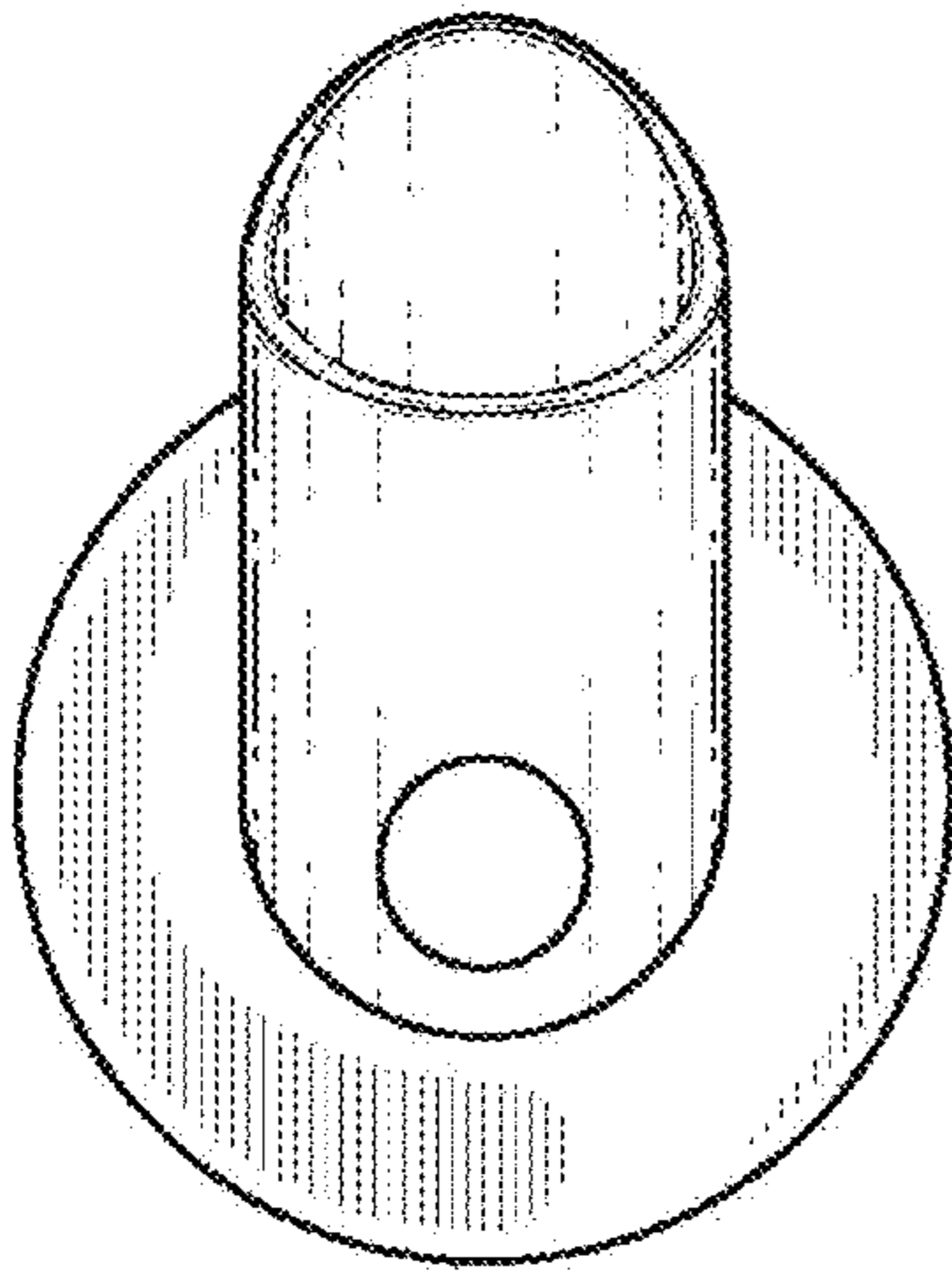


FIG. 1

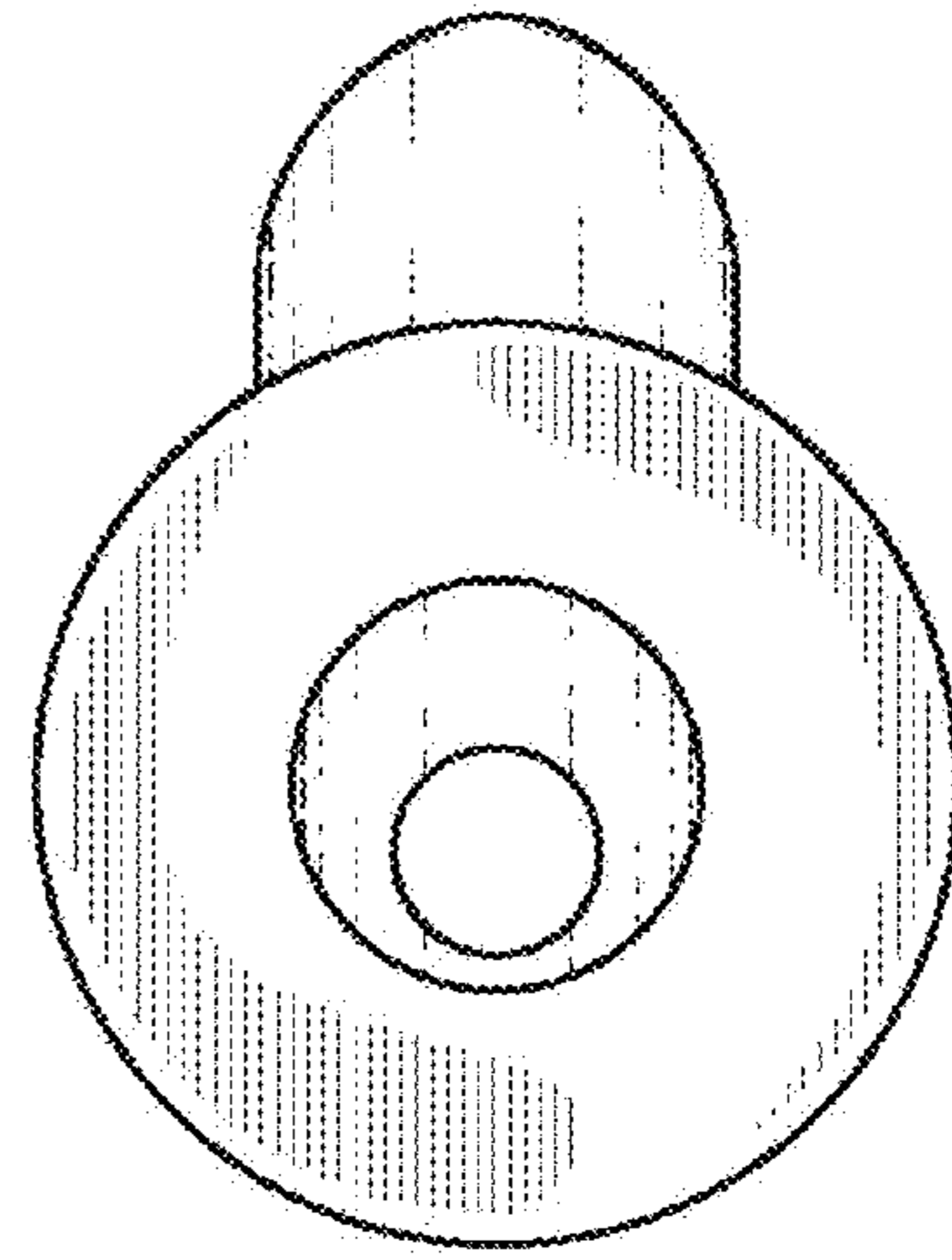


FIG. 2

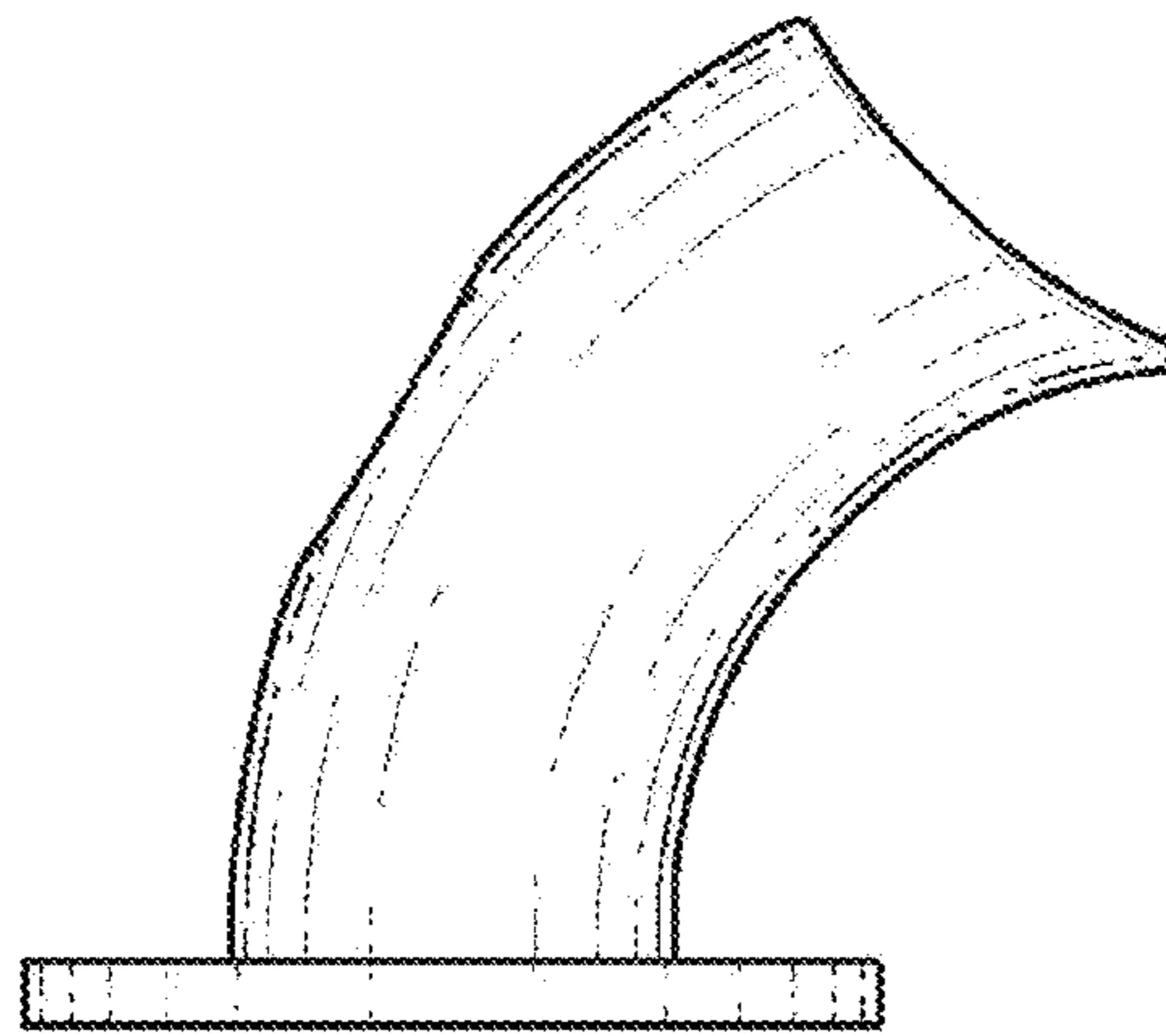


FIG. 3

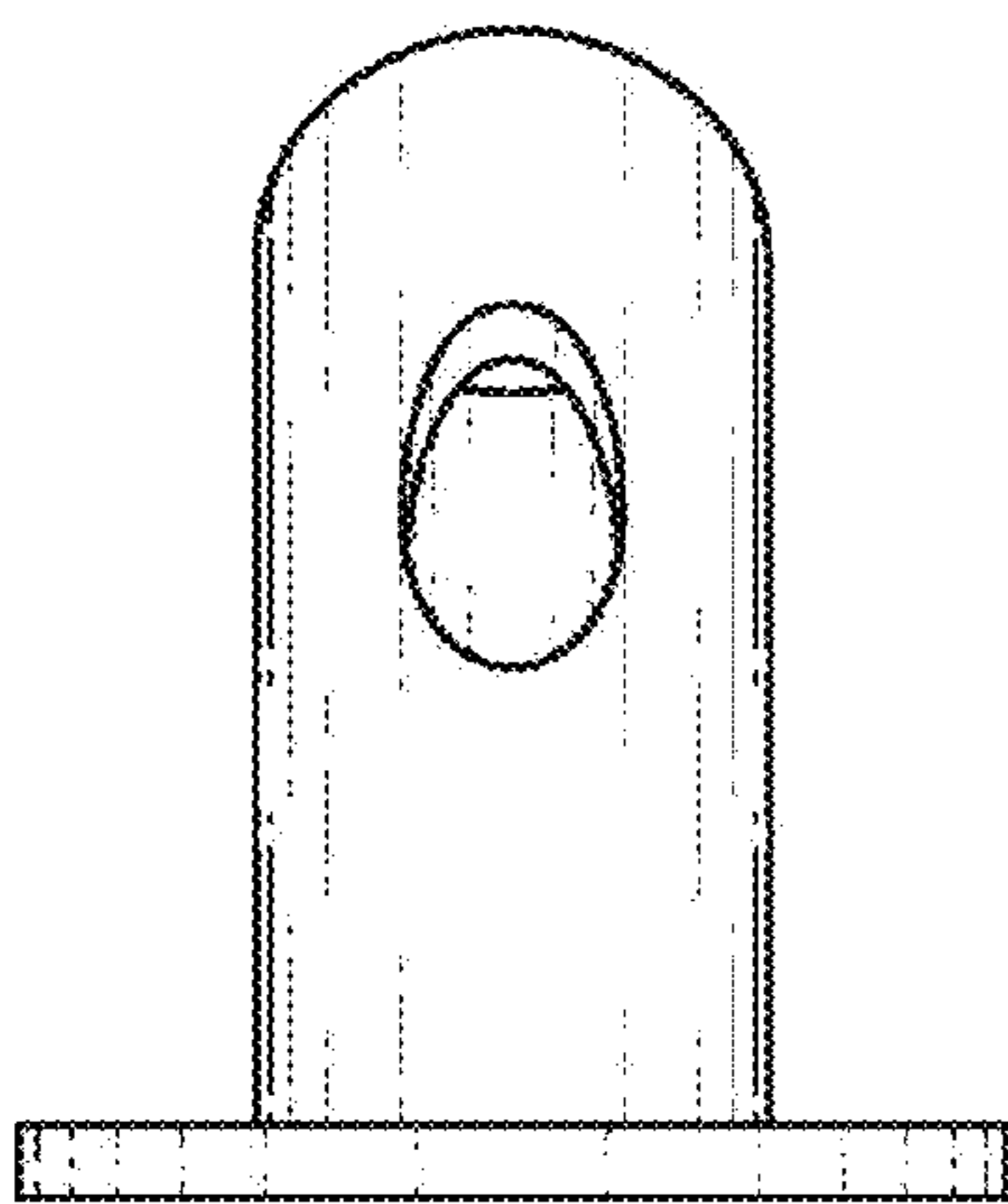


FIG. 4

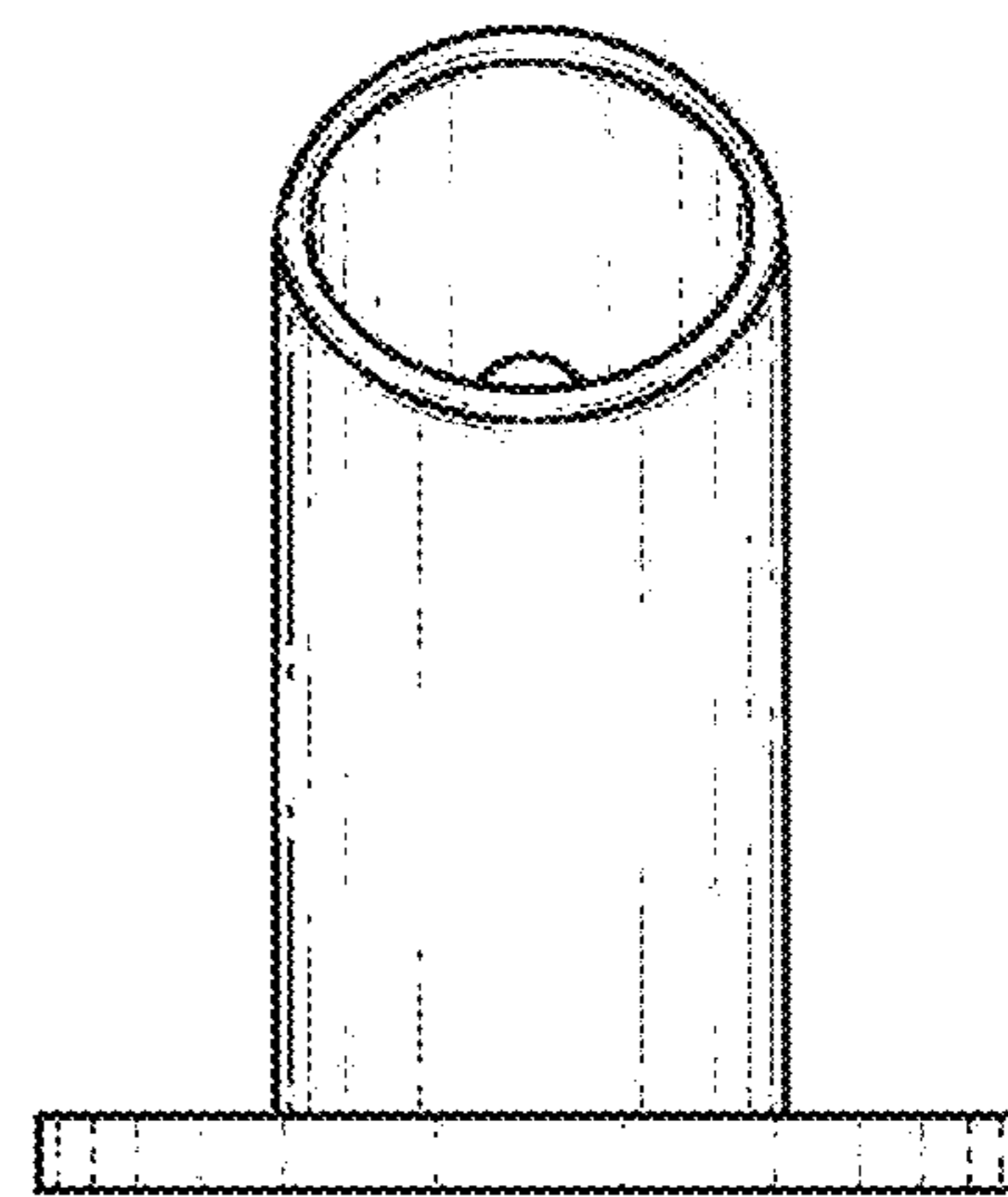


FIG. 5