



US00D771241S

(12) **United States Design Patent** (10) **Patent No.:** **US D771,241 S**
Skipper et al. (45) **Date of Patent:** **** Nov. 8, 2016**

(54) **COMBINED CUSHION AND FRAME MODULE FOR PATIENT INTERFACE**

- (71) Applicant: **ResMed Limited**, Bella Vista, New South Wales (AU)
- (72) Inventors: **Christopher Scott Skipper**, Sydney (AU); **Robert Thomas Burnham**, Sydney (AU); **Andrew Hung**, Sydney (AU)
- (73) Assignee: **ResMed Limited**, Bella Vista (AU)
- (**) Term: **15 Years**

- (21) Appl. No.: **29/538,127**
- (22) Filed: **Sep. 1, 2015**

Related U.S. Application Data

- (62) Division of application No. 29/451,049, filed on Mar. 27, 2013, now Pat. No. Des. 751,188.
- (51) **LOC (10) Cl.** **29-02**
- (52) **U.S. Cl.**
USPC **D24/110.4**
- (58) **Field of Classification Search**
USPC D24/110–110.6, 127
CPC A61M 16/0622; A61M 16/0616; A61M 16/0816; A61M 16/08; A61M 16/0633; A61M 16/06; A61M 16/0666; A61M 2210/0618; A61M 16/0683
See application file for complete search history.

(56) **References Cited**

U.S. PATENT DOCUMENTS

D434,141 S	*	11/2000	Randeberg	D24/110.1
D506,827 S	*	6/2005	Jones	D24/110.1
D557,411 S	*	12/2007	Smart	D24/110.1
D560,796 S	*	1/2008	Jones	D24/110.1
D582,546 S	*	12/2008	Fujiura	D24/110.1
D612,483 S	*	3/2010	Chang	D24/110.1

(Continued)

OTHER PUBLICATIONS

- Skipper et al., U.S. Appl. No. 29/451,049, filed Mar. 27, 2013 (parent application).
- Primary Examiner* — Barbara Fox
- Assistant Examiner* — Lilyana Bekic
- (74) *Attorney, Agent, or Firm* — Nixon & Vanderhye P.C.

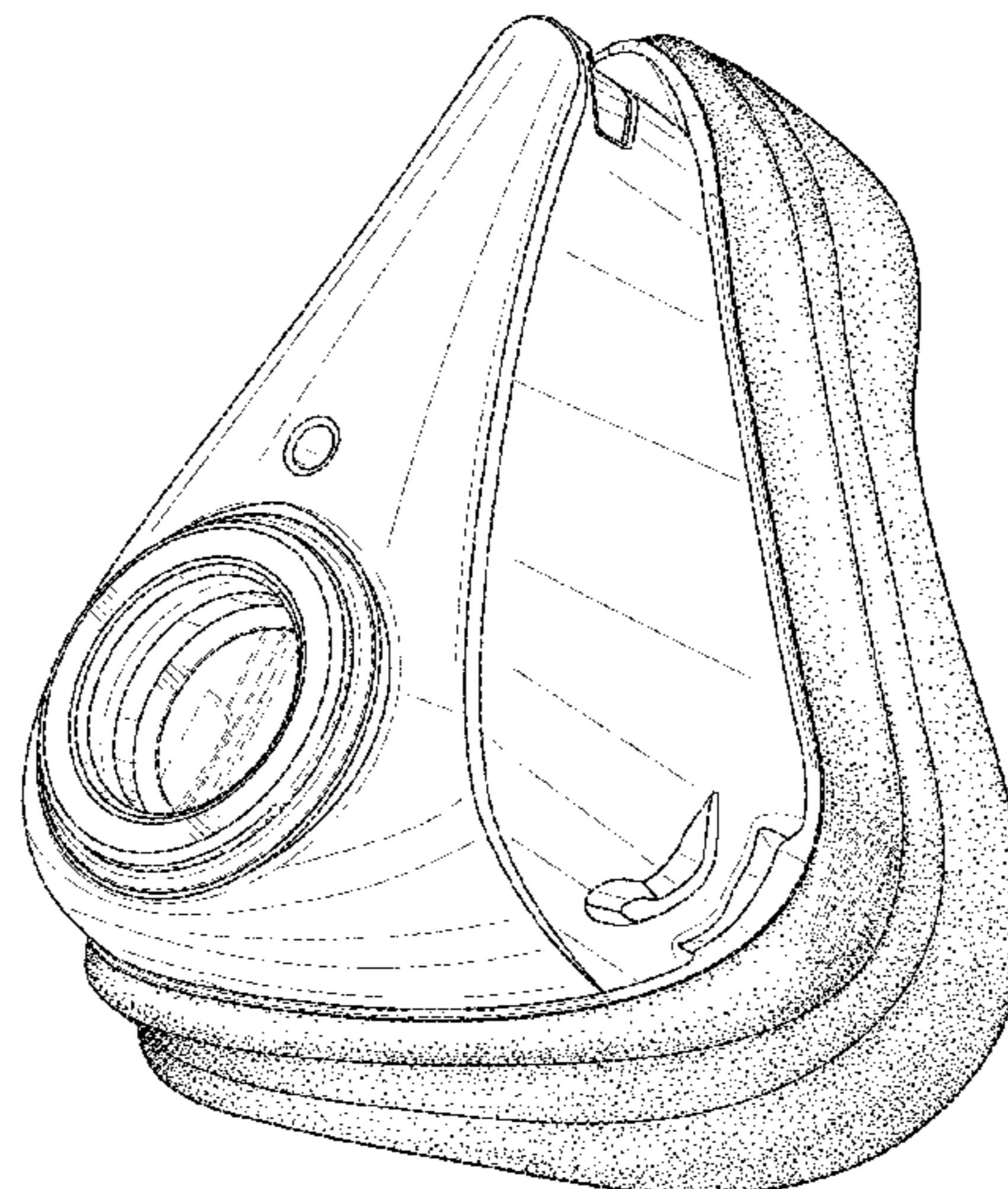
(57) **CLAIM**

The ornamental design for a combined cushion and frame module for patient interface, as shown and described.

DESCRIPTION

FIG. 1 is a front perspective view of a combined cushion and frame module for patient interface according to a first embodiment of our new design; FIG. 2 is a front view thereof; FIG. 3 is a rear view thereof; FIG. 4 is a top view thereof; FIG. 5 is a bottom view thereof; FIG. 6 is a right side view thereof; FIG. 7 is a left side view thereof; FIG. 8 is a rear perspective view thereof; FIG. 9 is a front perspective view of a combined cushion and frame module for patient interface according to a second embodiment of our new design; FIG. 10 is a front view thereof; FIG. 11 is a rear view thereof; FIG. 12 is a top view thereof; FIG. 13 is a bottom view thereof; FIG. 14 is a right side view thereof; FIG. 15 is a left side view thereof; and, FIG. 16 is a rear perspective view thereof. The broken lines in the drawings illustrate portions of the combined cushion and frame module for patient interface which form no part of the claimed design. Line shading and stippling have been used in the drawings to indicate a contrast in appearance.

1 Claim, 14 Drawing Sheets



(56)

References Cited

U.S. PATENT DOCUMENTS

D619,701 S *	7/2010	Edwards	D24/110.1	2006/0225740 A1	10/2006	Eaton et al.	
D692,127 S *	10/2013	Lee	D24/110.4	2009/0126739 A1*	5/2009	Ng	A61M 16/06 128/205.25
D693,459 S	11/2013	Prentice et al.		2010/0236559 A1*	9/2010	Lithgow	A61M 16/06 128/207.11
D693,460 S	11/2013	Rothermel et al.		2013/0008448 A1	1/2013	Todd	
D693,462 S	11/2013	Rothermel et al.		2013/0228173 A1	9/2013	Busch	
D695,887 S	12/2013	Ozolins et al.		2013/0324788 A1	12/2013	Holley et al.	
D706,413 S	6/2014	Veliss et al.		2014/0026888 A1	1/2014	Matula et al.	
8,944,061 B2*	2/2015	D'Souza	A61M 16/06 128/206.21	2014/0083429 A1	3/2014	Rothermel et al.	
2004/0211428 A1*	10/2004	Jones, Jr.	A61M 16/06 128/206.27	2014/0150800 A1	6/2014	Zeijlstra et al.	
2005/0172969 A1*	8/2005	Ging	A61M 16/06 128/206.24	2014/0261427 A1	9/2014	Foote	
				2014/0261435 A1	9/2014	Rothermel	
				2014/0290663 A1	10/2014	Rothermel	
				2014/0311496 A1	10/2014	Rothermel	
				2015/0000671 A1	1/2015	Frerichs et al.	

* cited by examiner

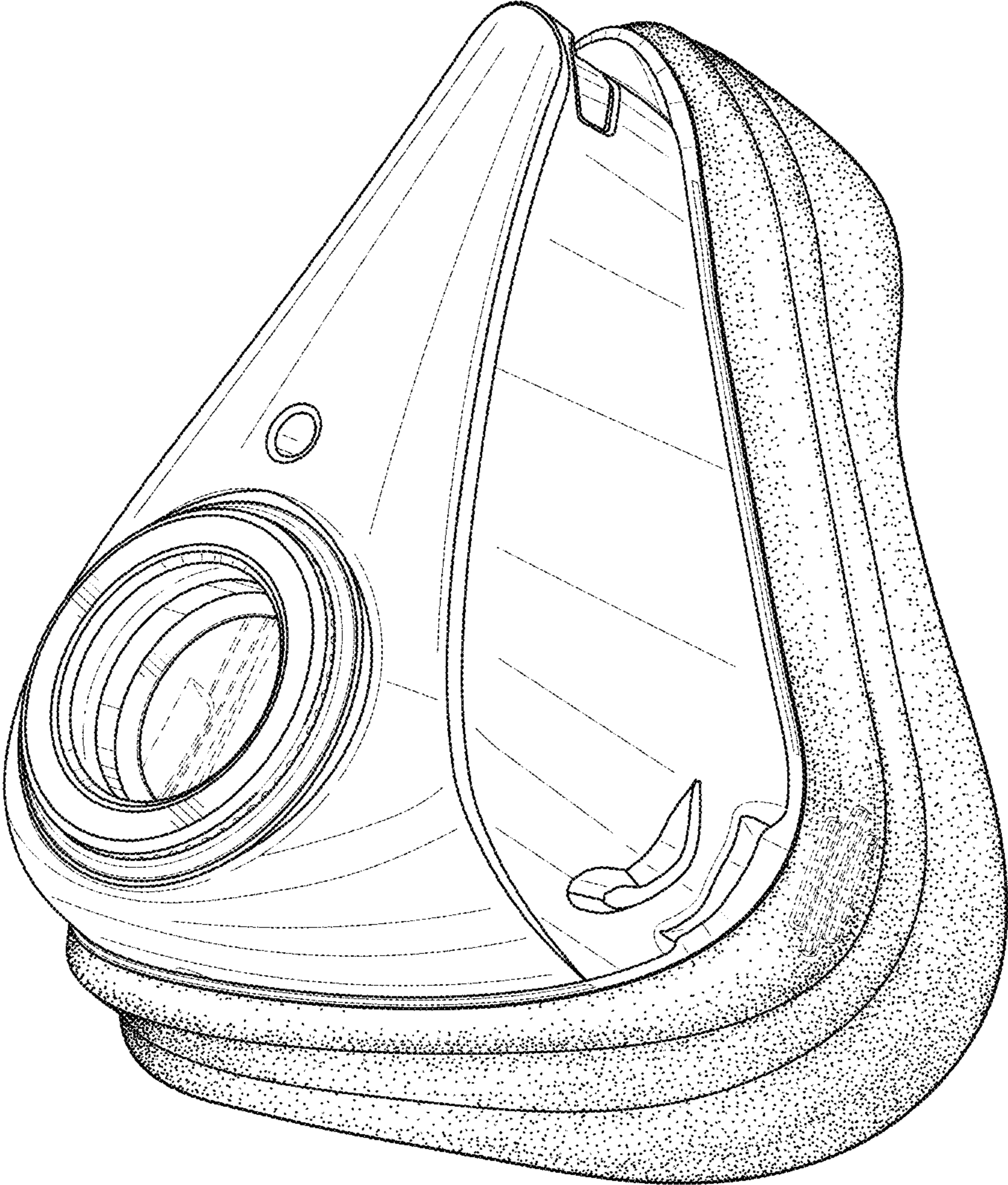


FIG. 1

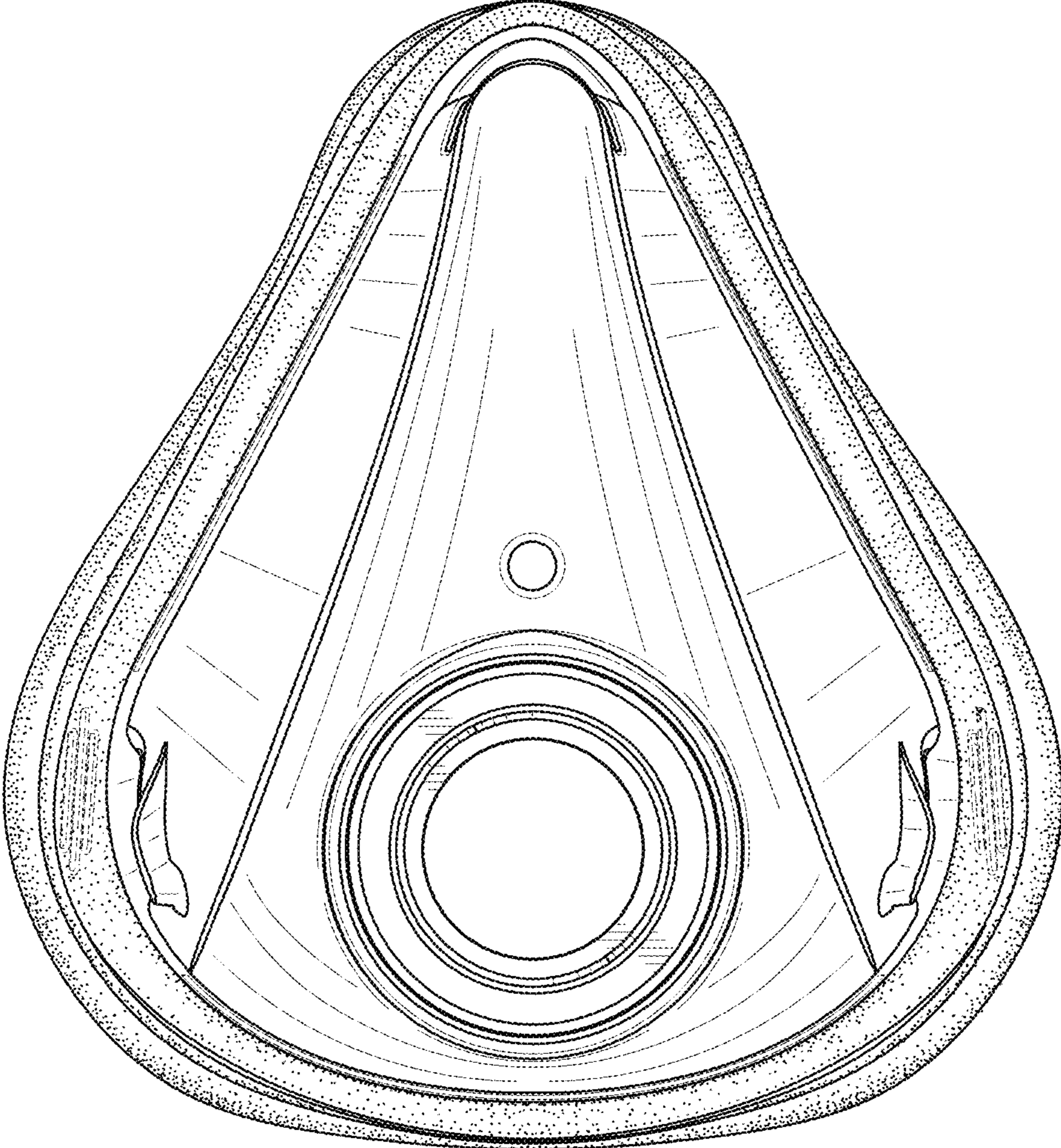


FIG. 2

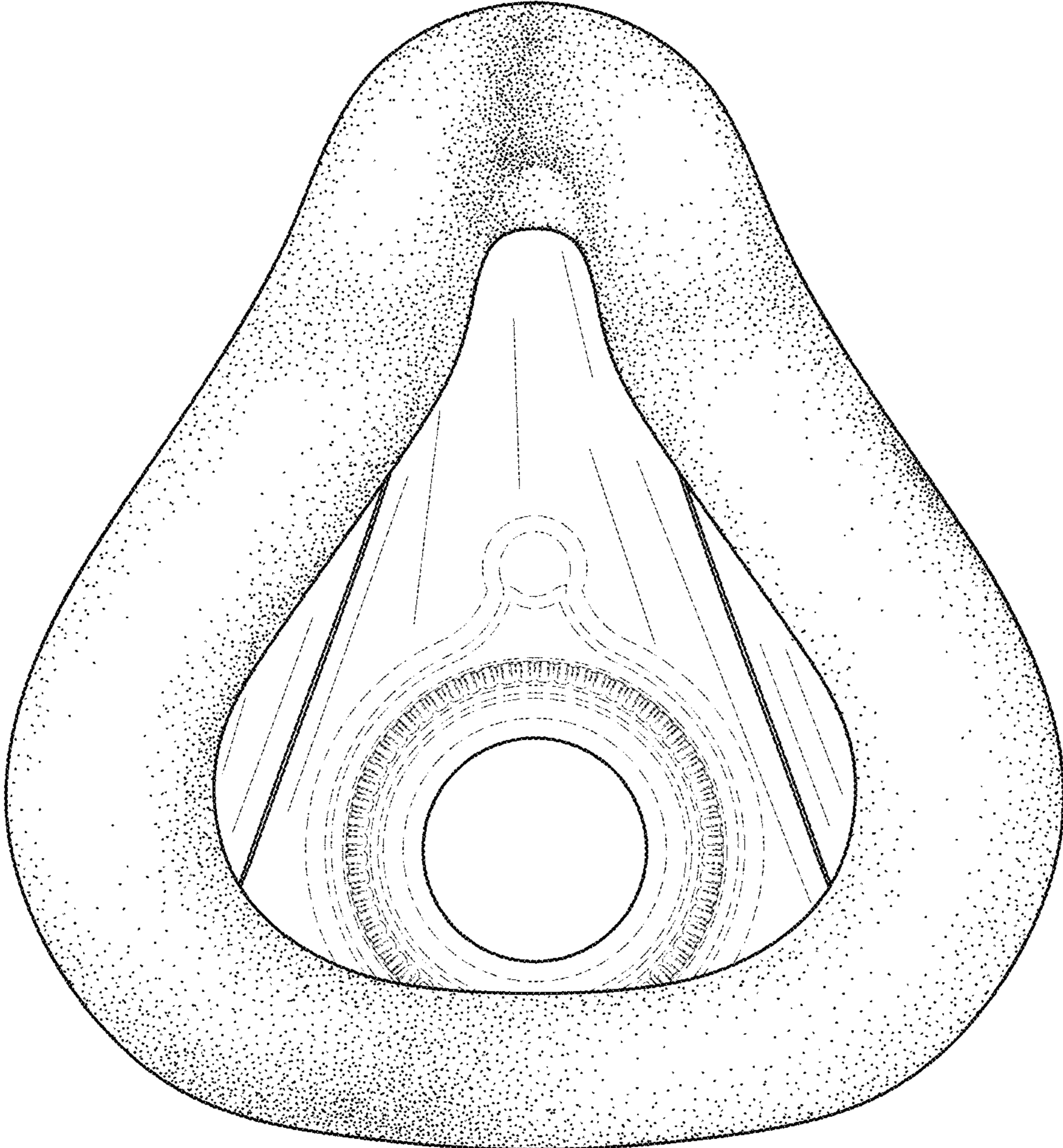


FIG. 3

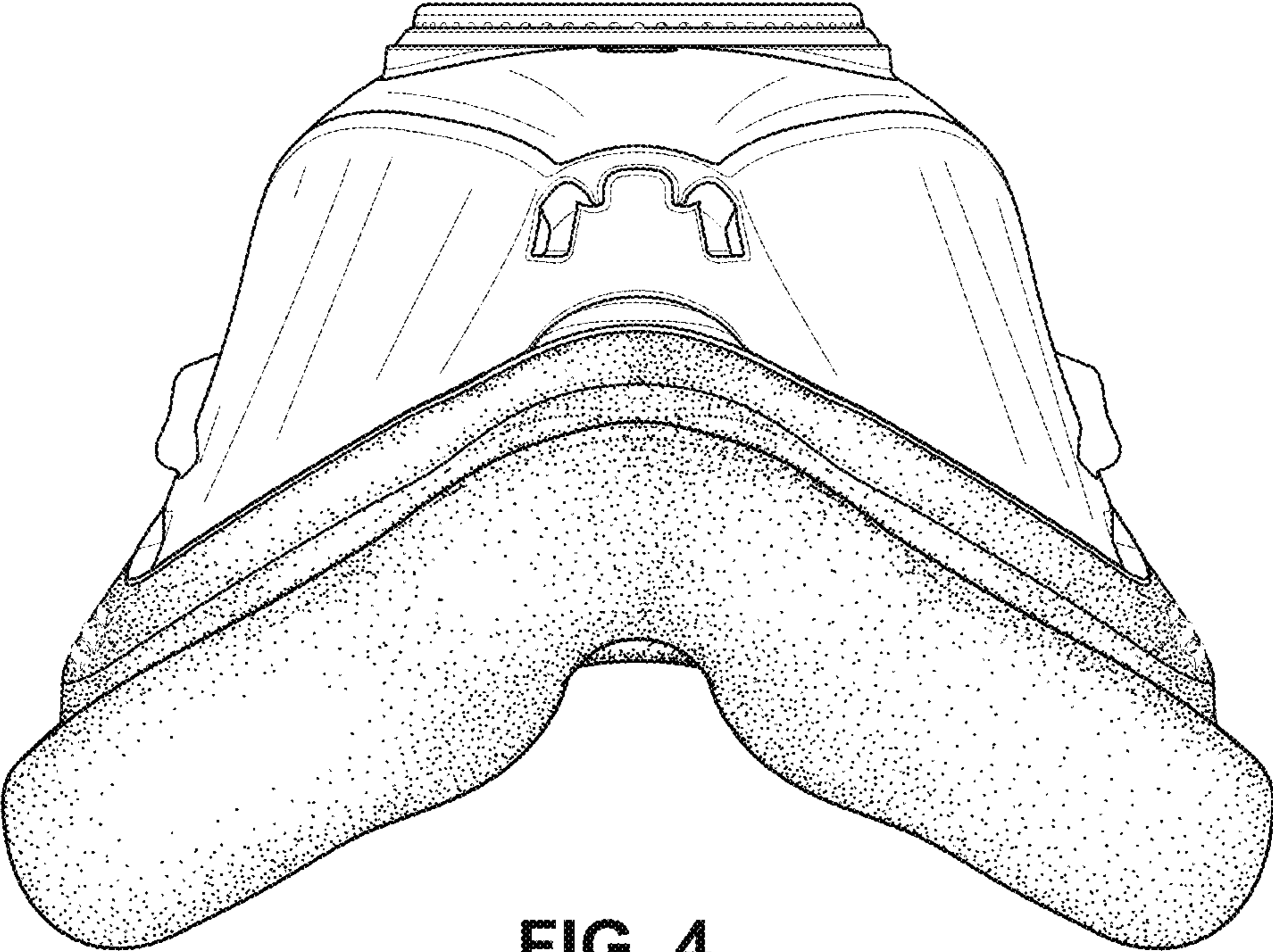


FIG. 4

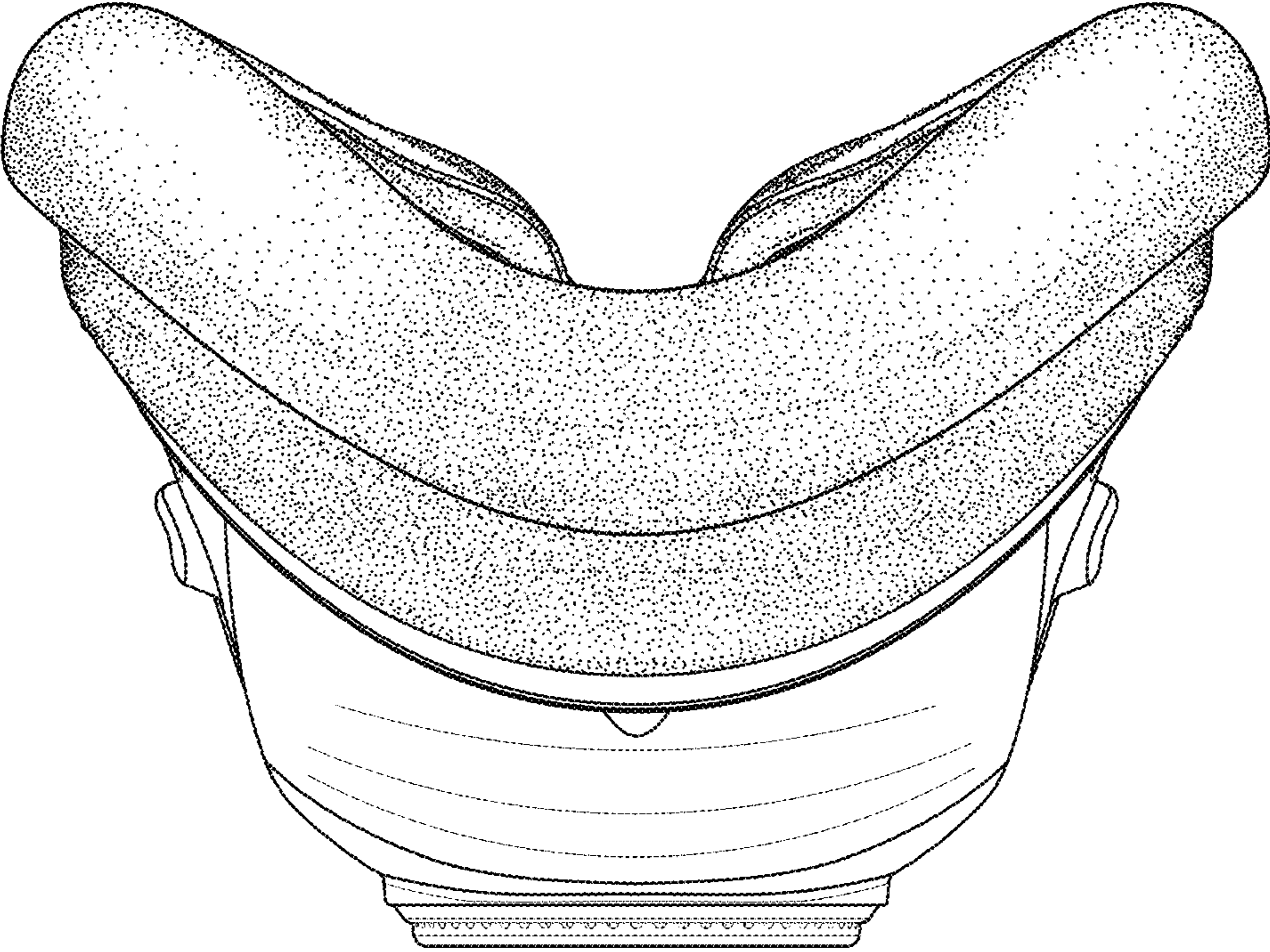


FIG. 5

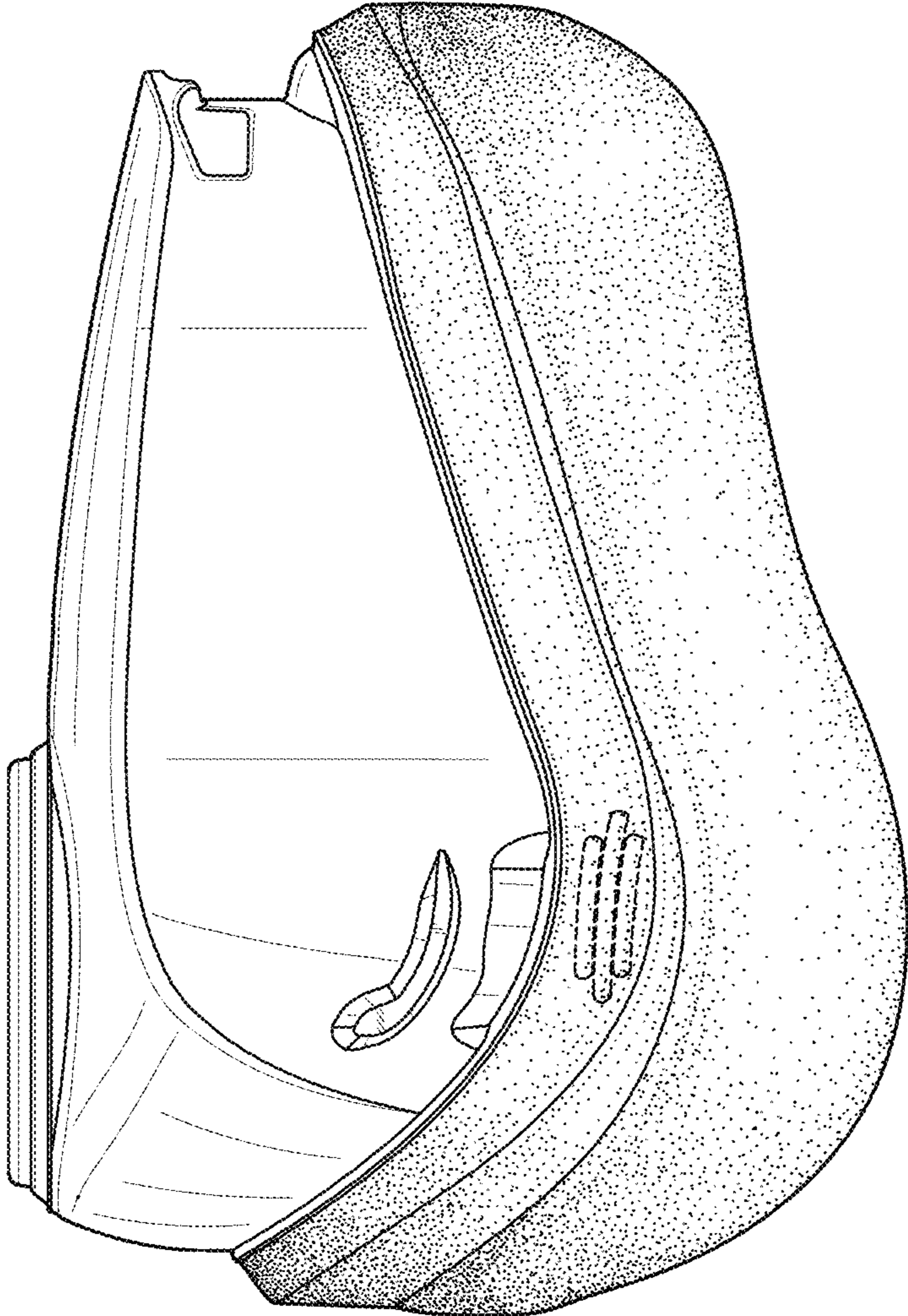


FIG. 6

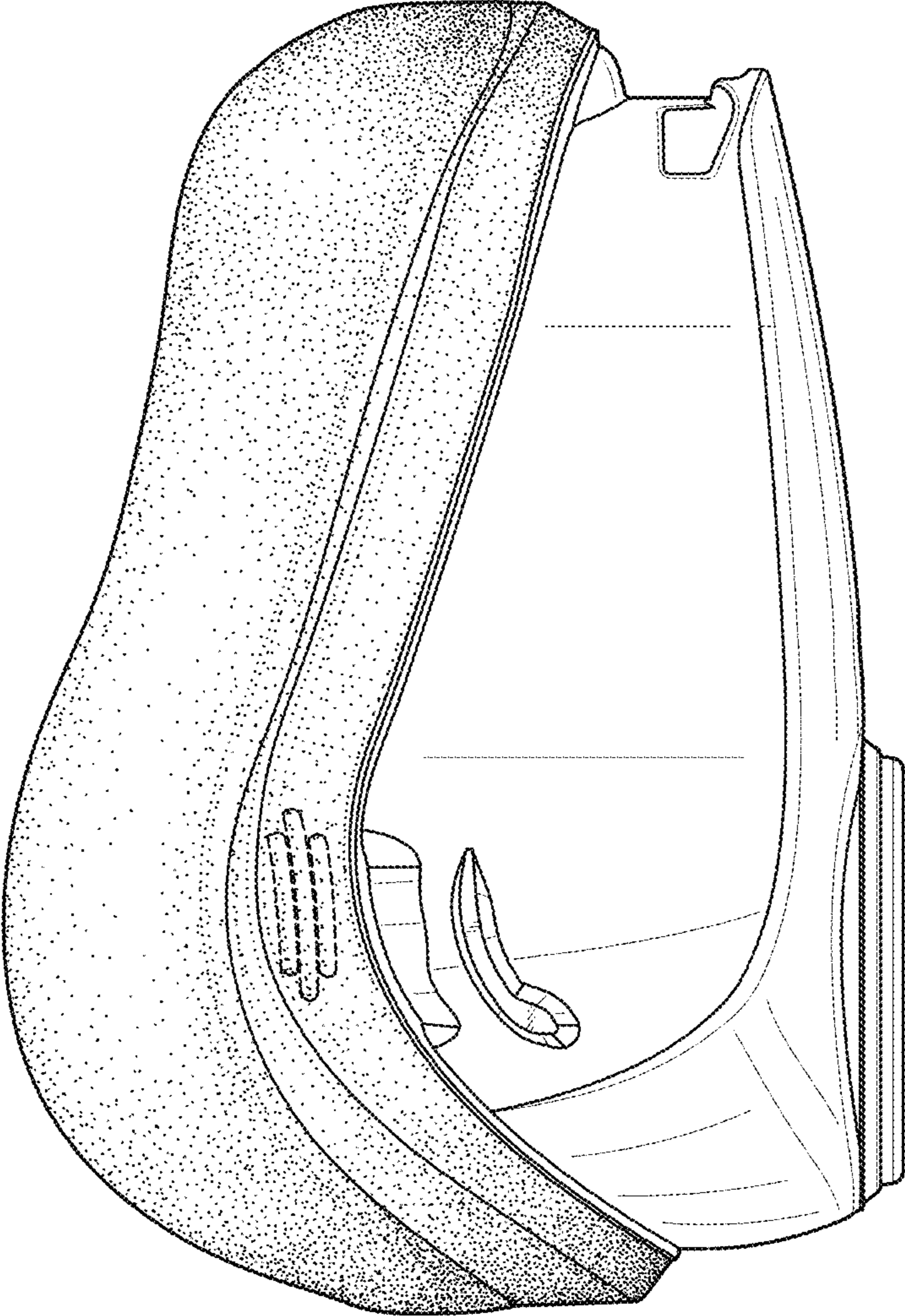


FIG. 7

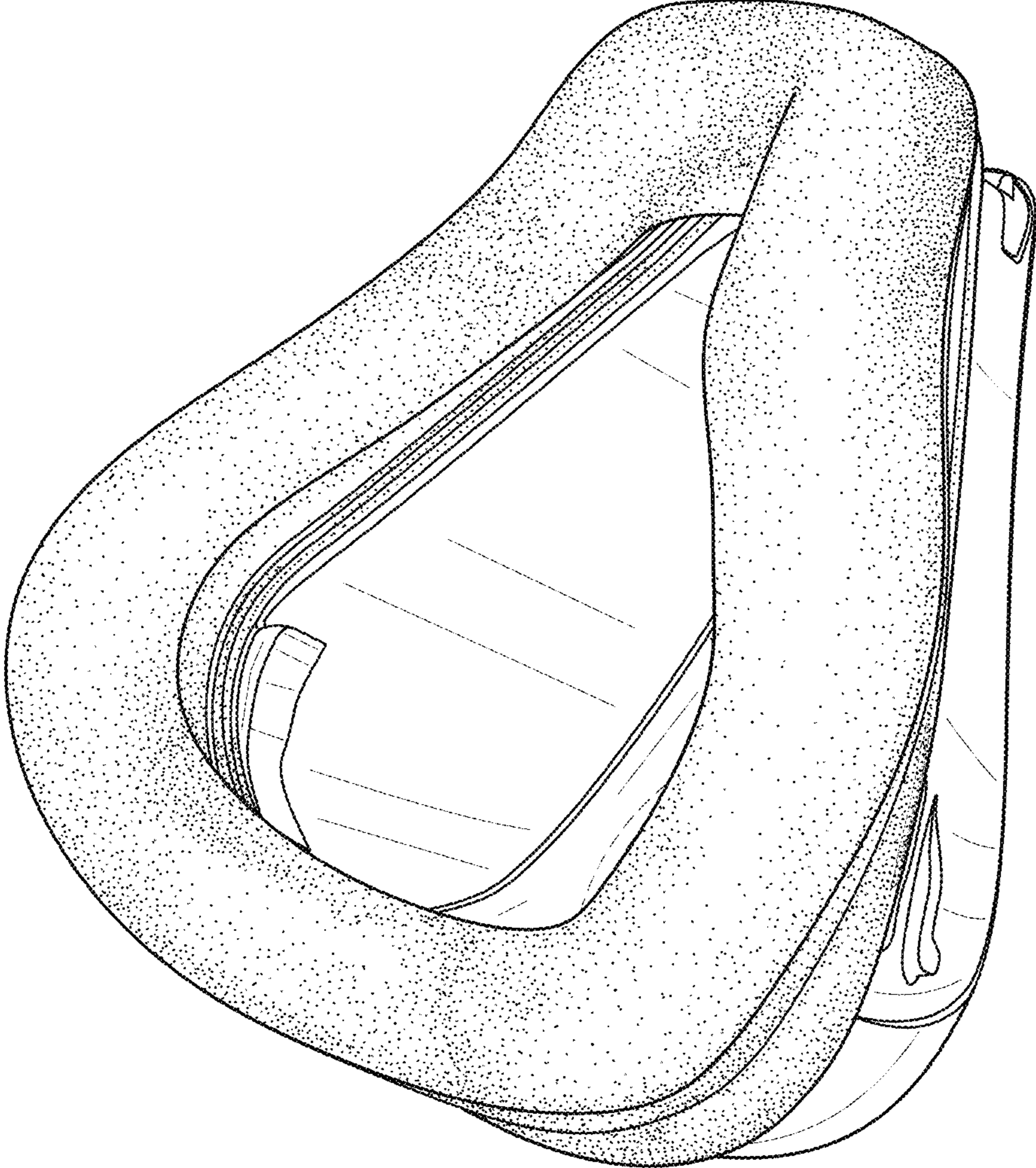


FIG. 8

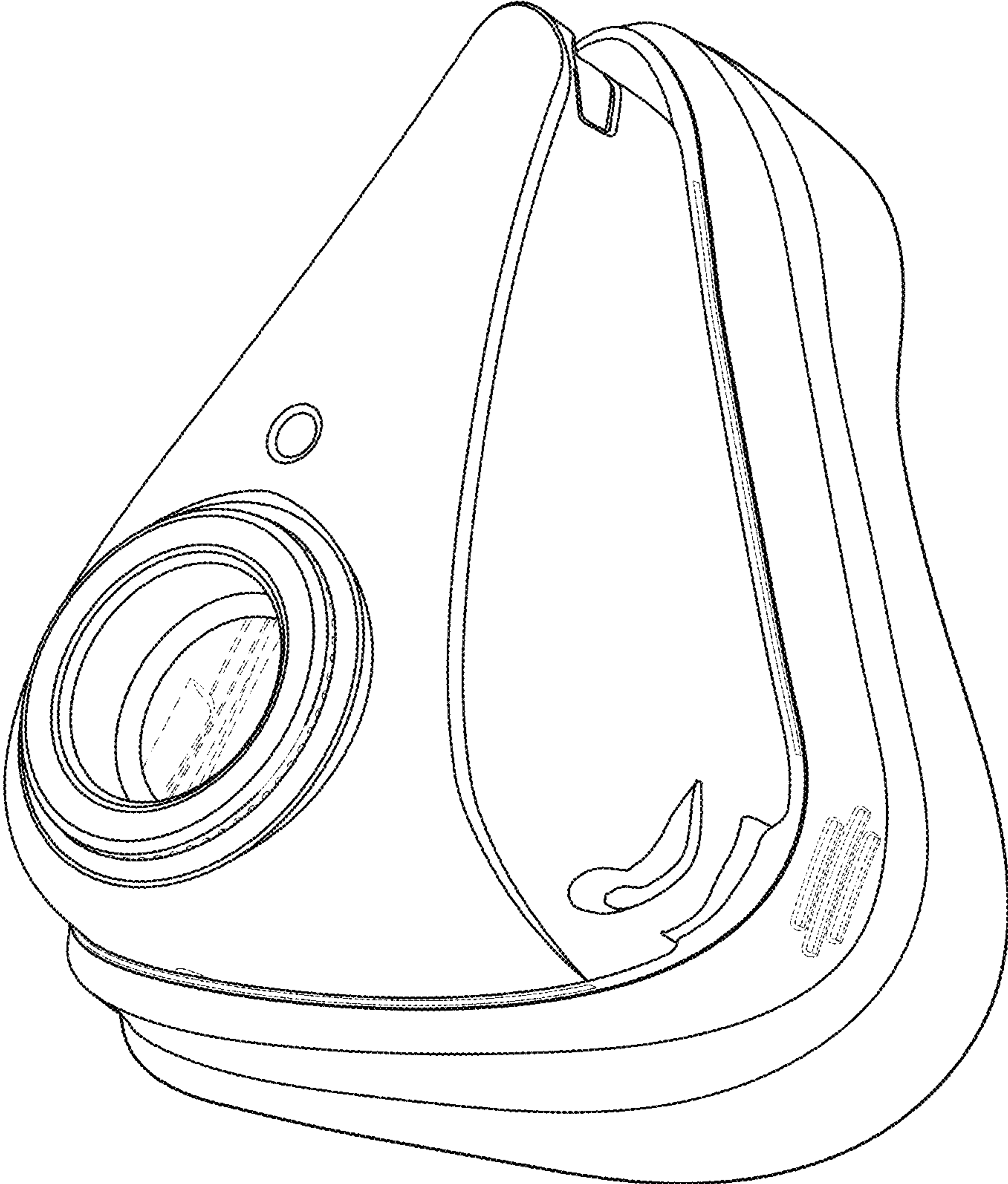


FIG. 9

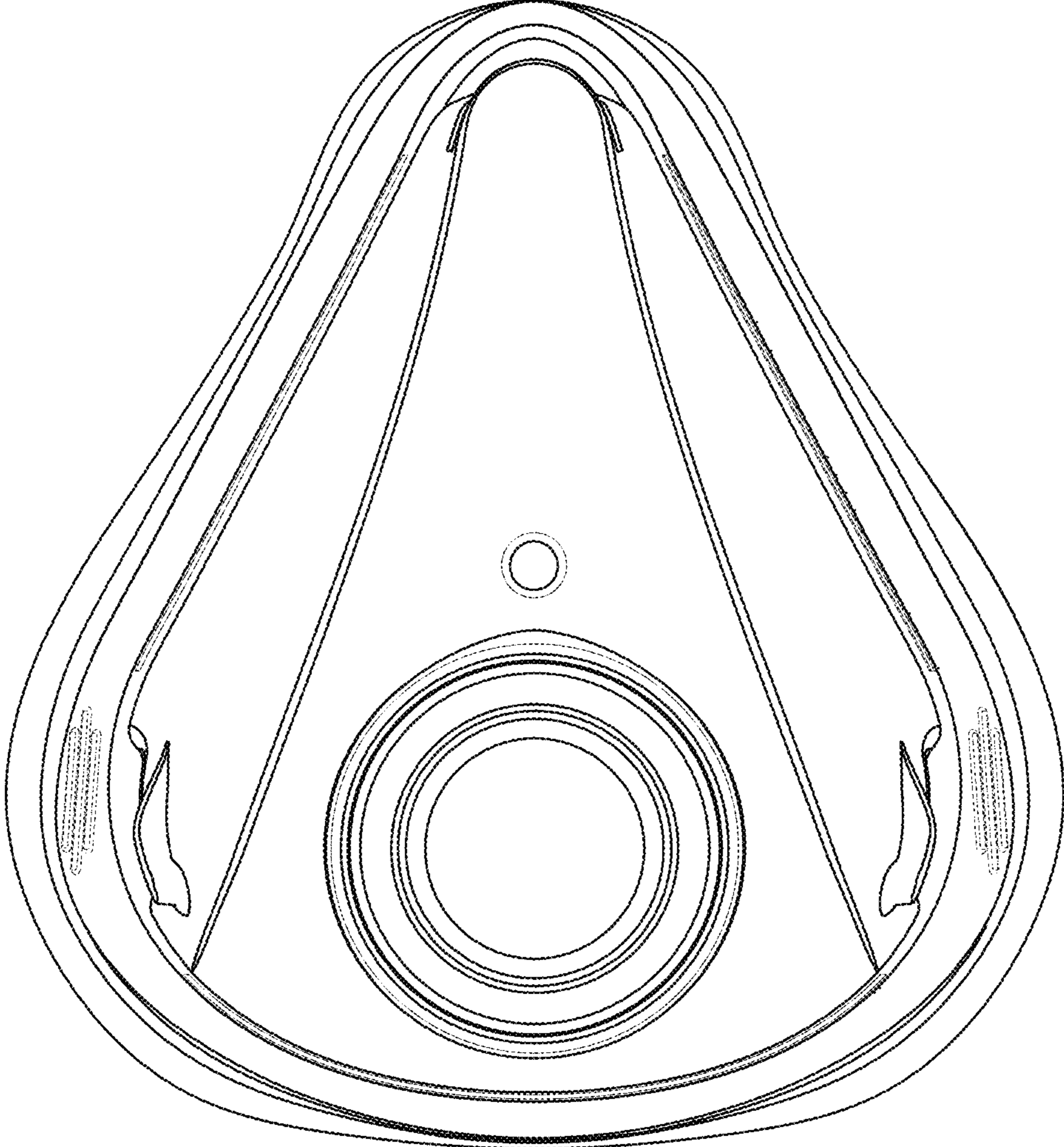


FIG. 10

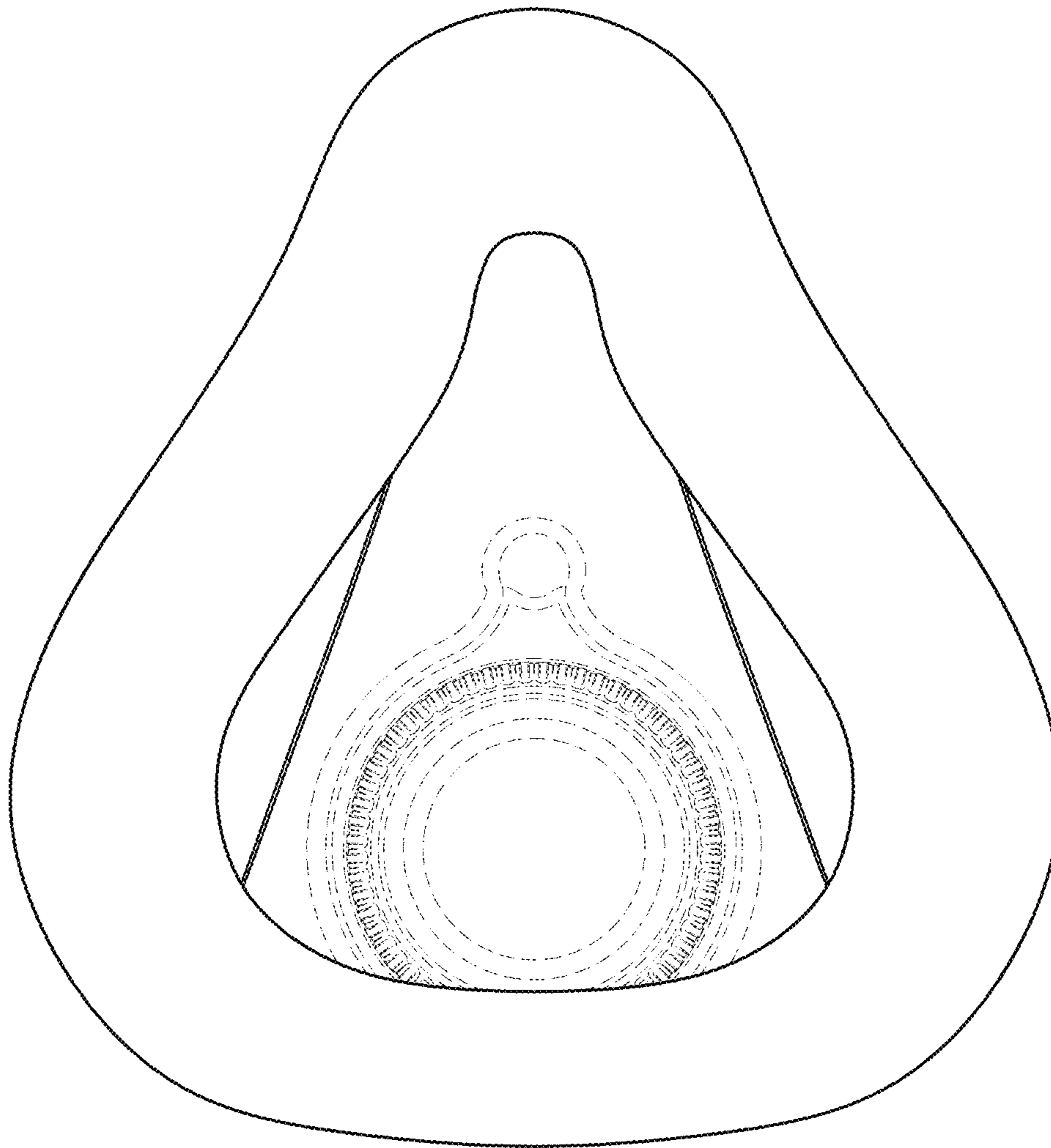


FIG. 11

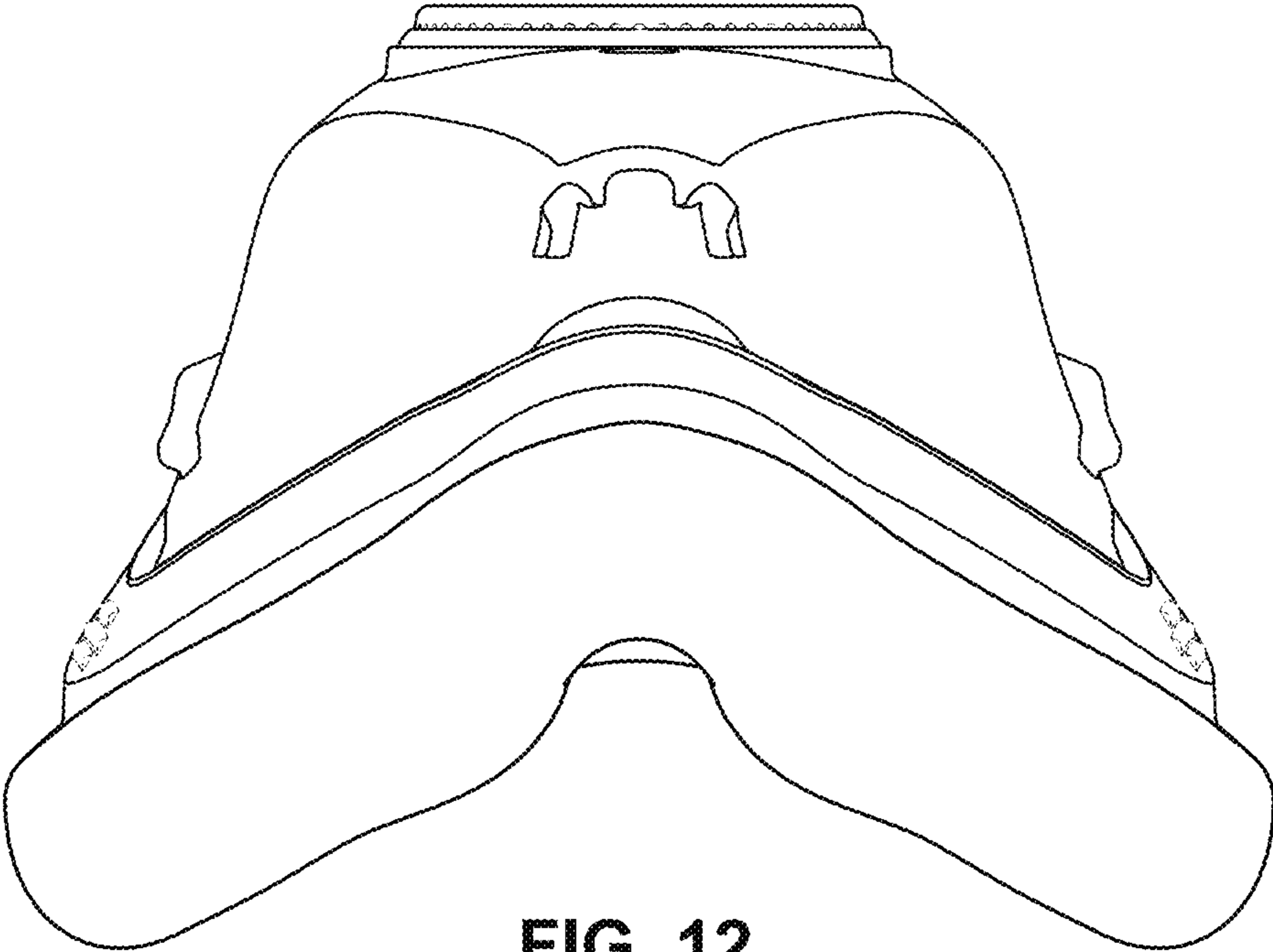


FIG. 12

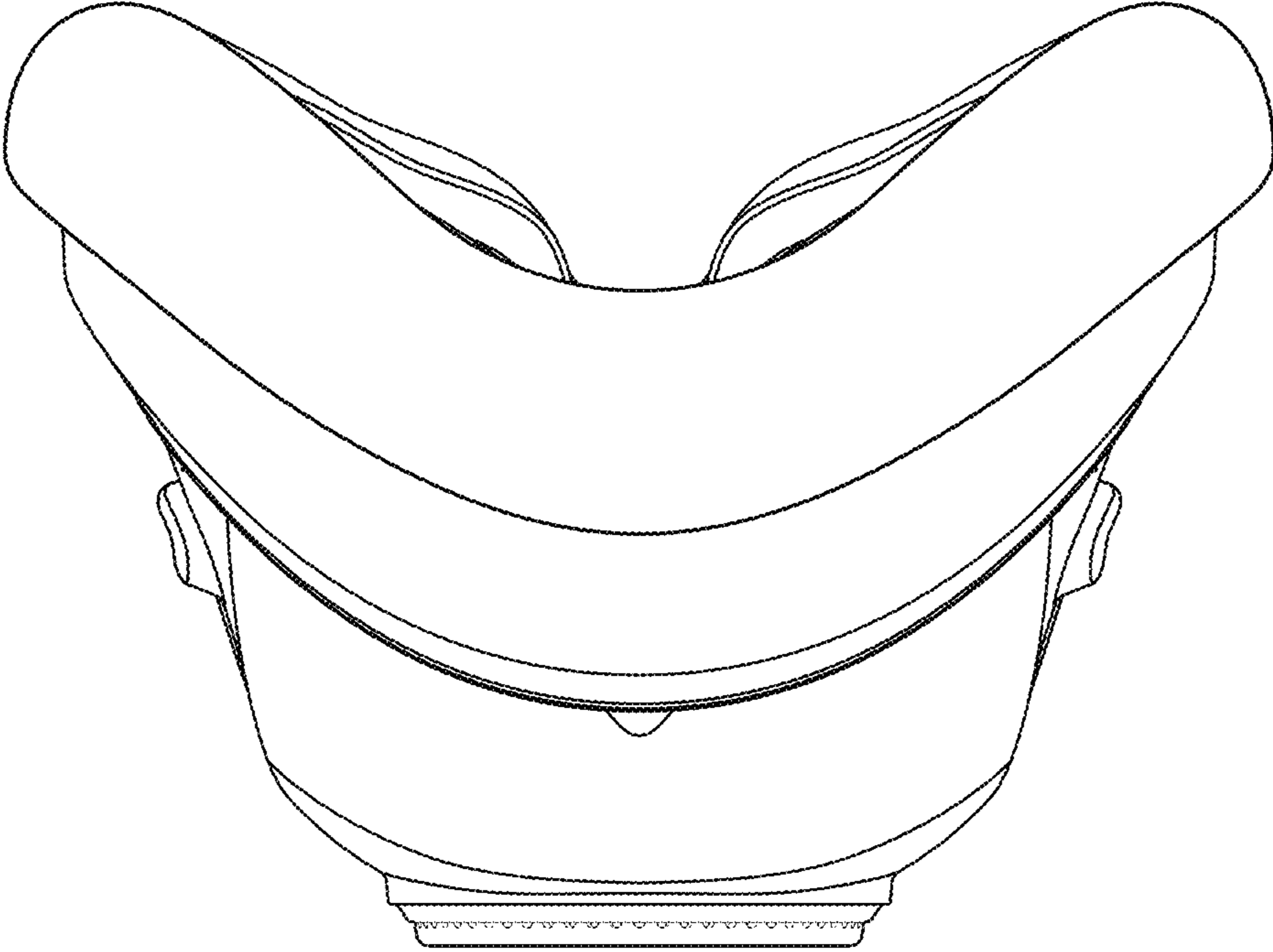


FIG. 13

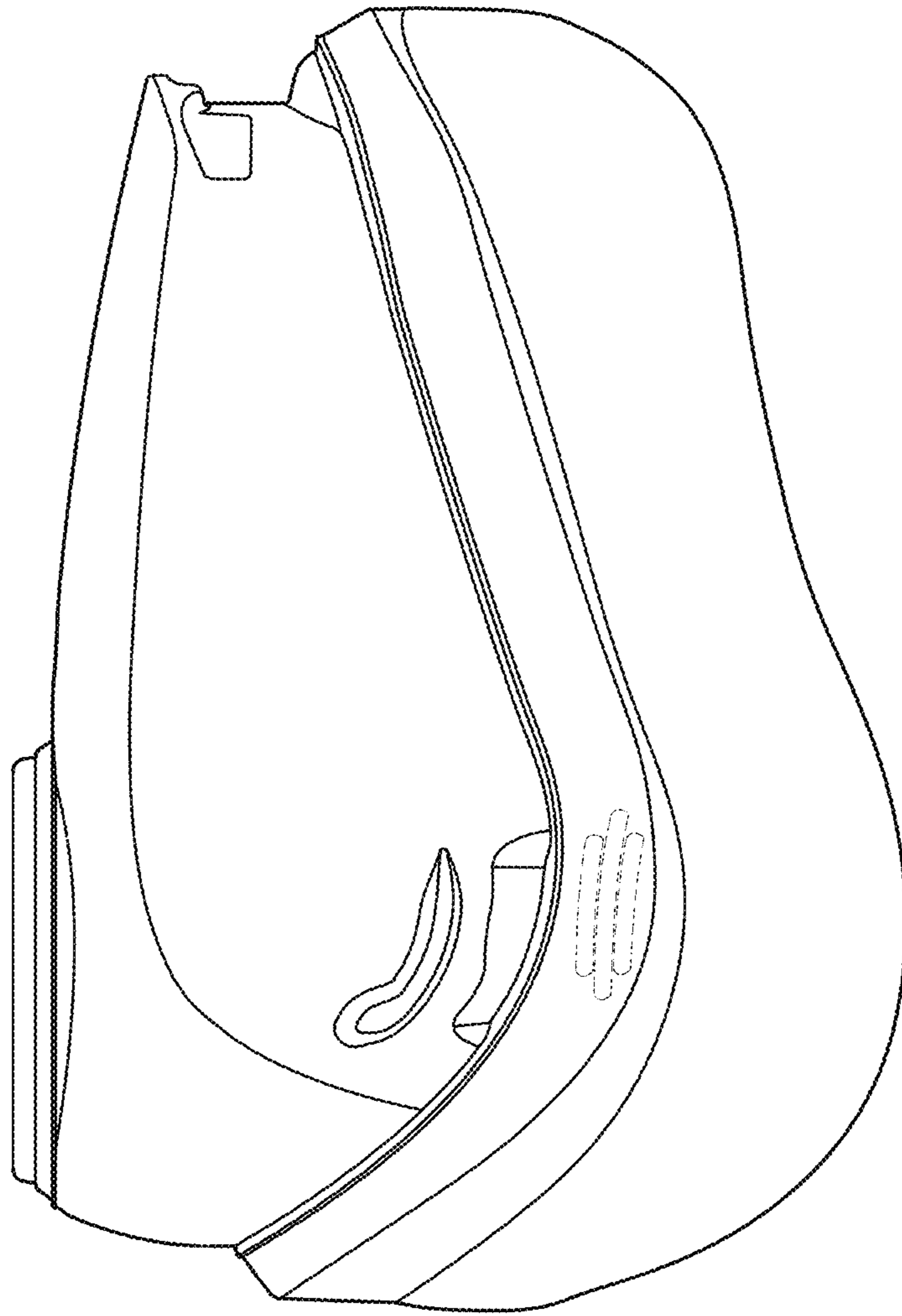


FIG. 14

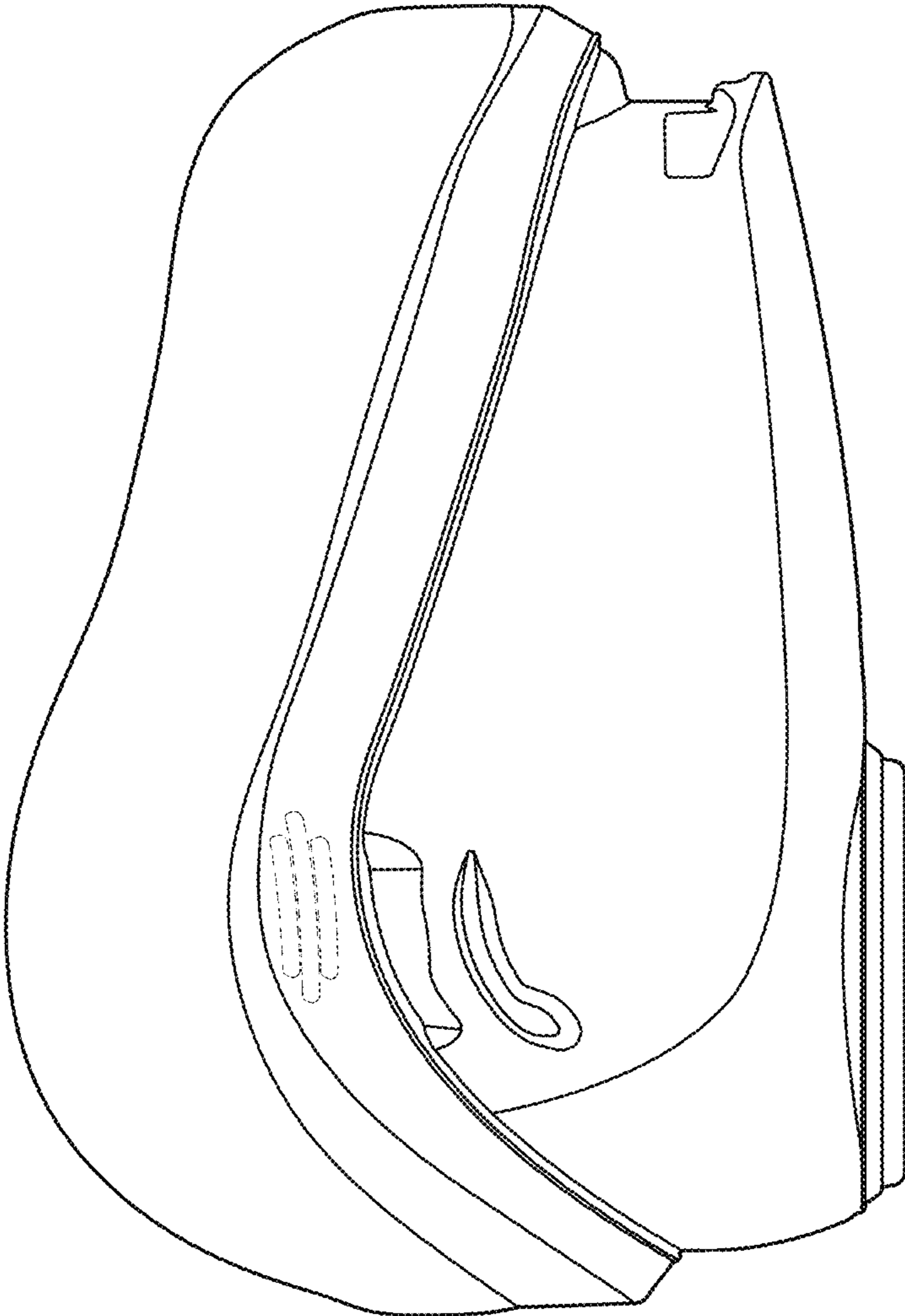


FIG. 15

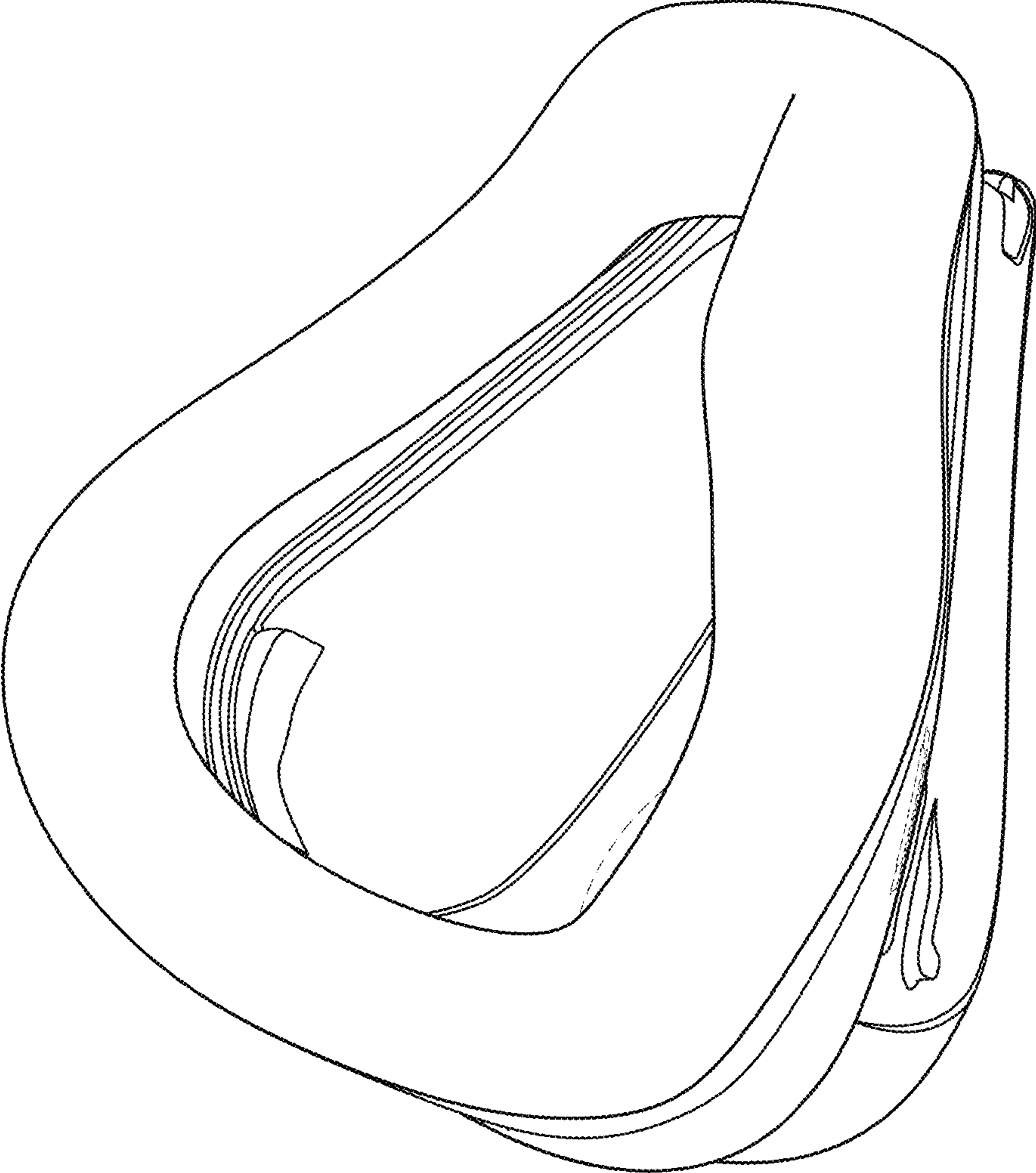


FIG. 16