



US00D771240S

(12) **United States Design Patent** (10) **Patent No.:** **US D771,240 S**
Angert et al. (45) **Date of Patent:** **** Nov. 8, 2016**

(54) **FRAME FOR A PATIENT INTERFACE DEVICE**

(71) Applicant: **KONINKLIJKE PHILIPS N.V.**,
Eindhoven (NL)

(72) Inventors: **Justin Eric Angert**, Gibsonia, PA (US);
Stephen George Hlopick, Murrysville,
PA (US); **Dave Ignaczak**, New
Kensington, PA (US)

(73) Assignee: **KONINKLIJKE PHILIPS N.V.**,
Eindhoven (NL)

(**) Term: **14 Years**

(21) Appl. No.: **29/512,289**

(22) Filed: **Dec. 18, 2014**

(30) **Foreign Application Priority Data**

Jun. 18, 2014 (EM) 002485151-0003
Jun. 19, 2014 (CN) 2014 3 0191594

(51) **LOC (10) Cl.** **29-02**

(52) **U.S. Cl.**
USPC **D24/110.4**

(58) **Field of Classification Search**
USPC D24/110.1-110.4, 110.6, 127;
D29/105, 107, 108, 110
CPC A62B 18/00; A62B 18/02; A62B 18/025;
A62B 18/08; A62B 18/10; A62B 23/00;
A62B 23/02; A62B 23/025; A62B 23/06;
A41D 13/11; A61M 16/0622; A61M
16/0616; A61M 16/0816; A61M 16/08;
A61M 16/0633; A61M 16/0666; A61M
2210/0618; A61M 16/0683
See application file for complete search history.

(56) **References Cited**

U.S. PATENT DOCUMENTS

6,631,718 B1 * 10/2003 Lovell A61M 16/06
128/206.24
D550,836 S * 9/2007 Chandran D24/110.1

D564,089 S * 3/2008 Chandran D24/110.1
7,353,827 B2 * 4/2008 Geist A61M 16/06
128/206.21
D583,047 S * 12/2008 Chandran D24/110.1
D586,910 S * 2/2009 Chandran D24/110.1
D597,199 S * 7/2009 Smart D24/110.1
D639,420 S * 6/2011 D'Souza D24/110.1
D645,558 S * 9/2011 Matula, Jr. D24/110.1
D652,914 S * 1/2012 D'Souza D24/110.1
D669,576 S * 10/2012 Smart D24/110.1
8,757,157 B2 * 6/2014 Price A61M 16/06
128/206.21
D716,440 S * 10/2014 D'Souza D24/110.1
2006/0124131 A1 * 6/2006 Chandran A61M 16/06
128/206.28
2006/0174887 A1 * 8/2006 Chandran A61M 16/06
128/206.11

(Continued)

OTHER PUBLICATIONS

Philips Respironics Amara View Fitting Guide. Philips Respironics.
YouTube. Jun. 3, 2015. <https://www.youtube.com/watch?v=as_SiYwFQTw>.*

Primary Examiner — Barbara Fox

Assistant Examiner — Lilyana Bekic

(74) *Attorney, Agent, or Firm* — Michael W. Haas

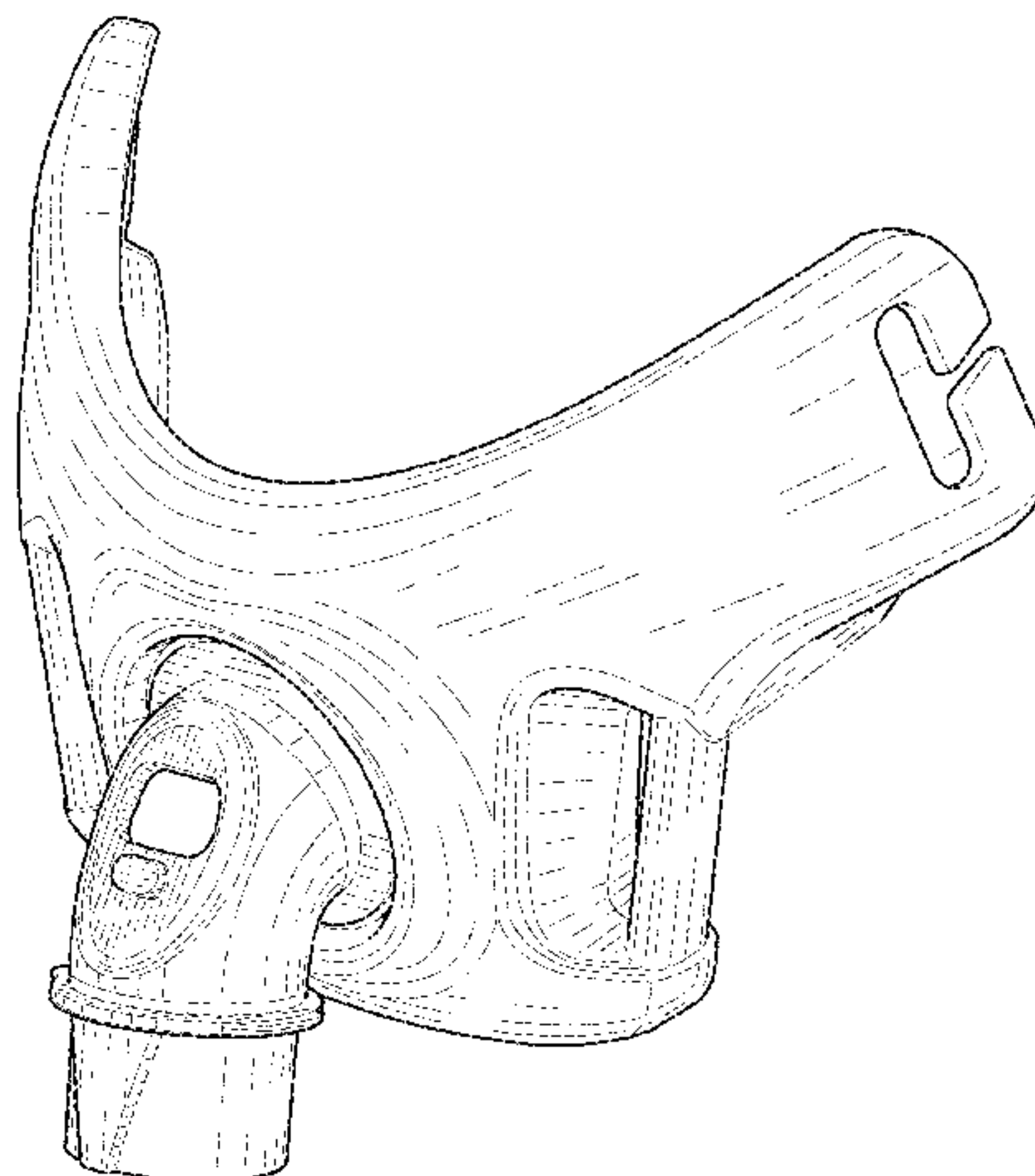
(57) **CLAIM**

We claim the ornamental design for a frame for a patient interface device, as shown and described.

DESCRIPTION

FIG. 1 is a perspective view of a frame for a patient interface device showing our design;
FIG. 2 is a front elevational view thereof;
FIG. 3 is a rear elevational view thereof;
FIG. 4 is a right side elevational view thereof;
FIG. 5 is a left side elevational view thereof;
FIG. 6 is a top plan view thereof; and,
FIG. 7 is a bottom plan view thereof.
The broken lines in the drawings illustrate portions of the frame for a patient interface device that form no part of the claimed design.

1 Claim, 5 Drawing Sheets



US D771,240 S

Page 2

(56)

References Cited

U.S. PATENT DOCUMENTS

2007/0272249	A1*	11/2007	Chandran	A61M 16/06 128/206.28	2014/0366886	A1*	12/2014	Chodkowski	A61M 16/06 128/206.24
2011/0056497	A1*	3/2011	Scheiner	A61M 16/06 128/206.24	2015/0250972	A1*	9/2015	Haibach	A61M 16/0683 128/202.27
2014/0326246	A1*	11/2014	Chodkowski	A61M 16/06 128/206.24	2016/0015922	A1*	1/2016	Chodkowski	A61M 16/06 128/206.24
					2016/0022944	A1*	1/2016	Chodkowski	A61M 16/0616 128/206.24

* cited by examiner

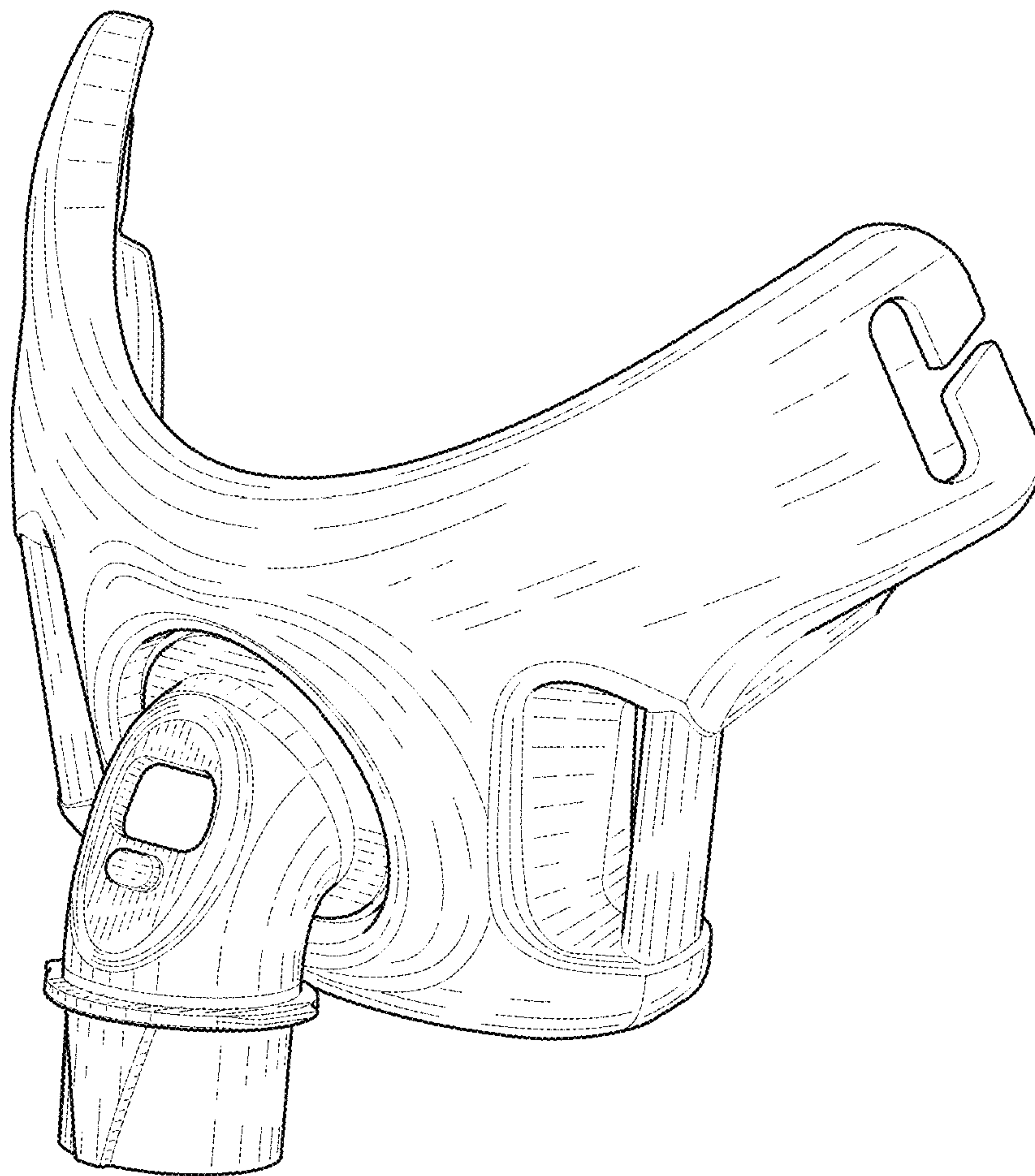


FIG. 1

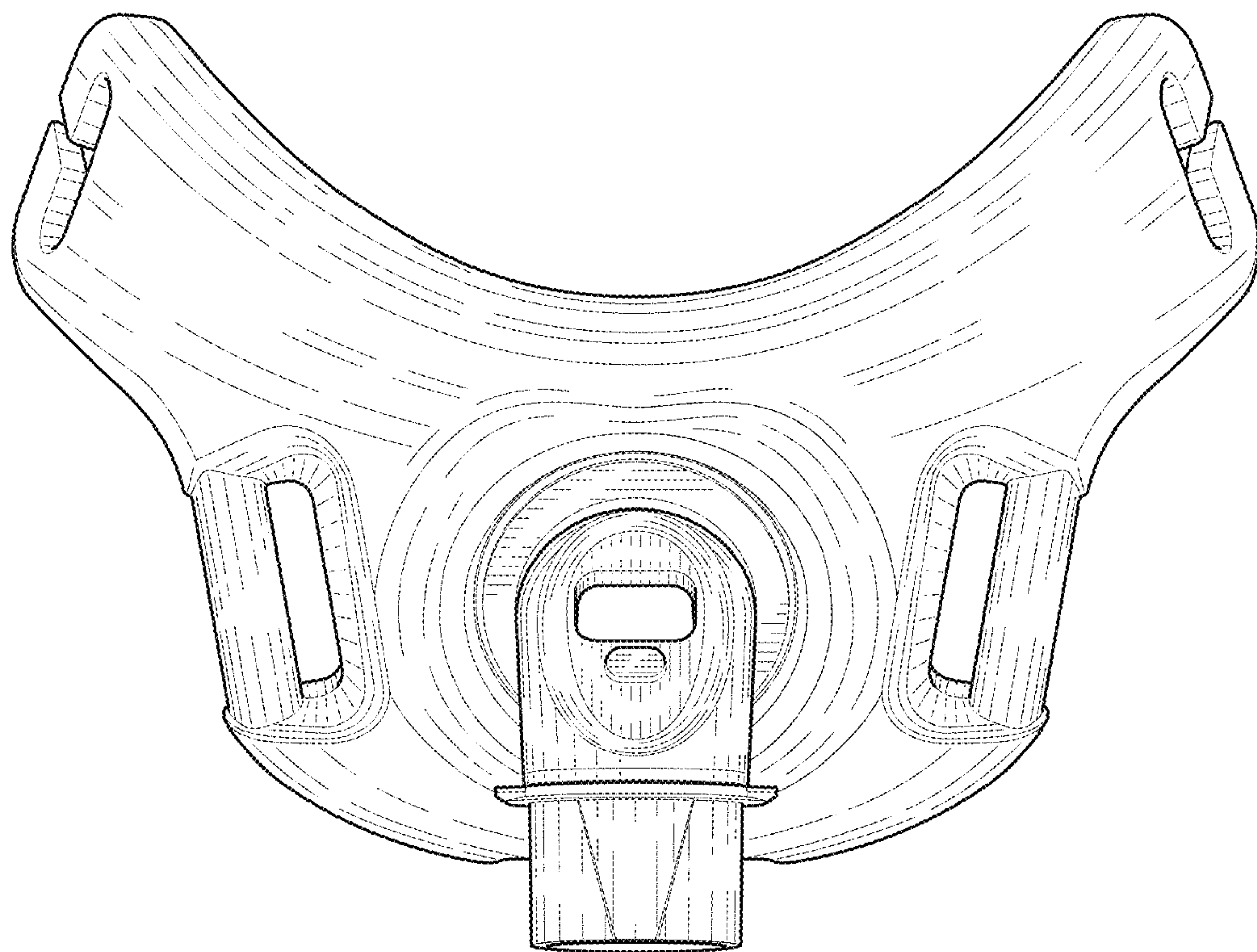


FIG. 2

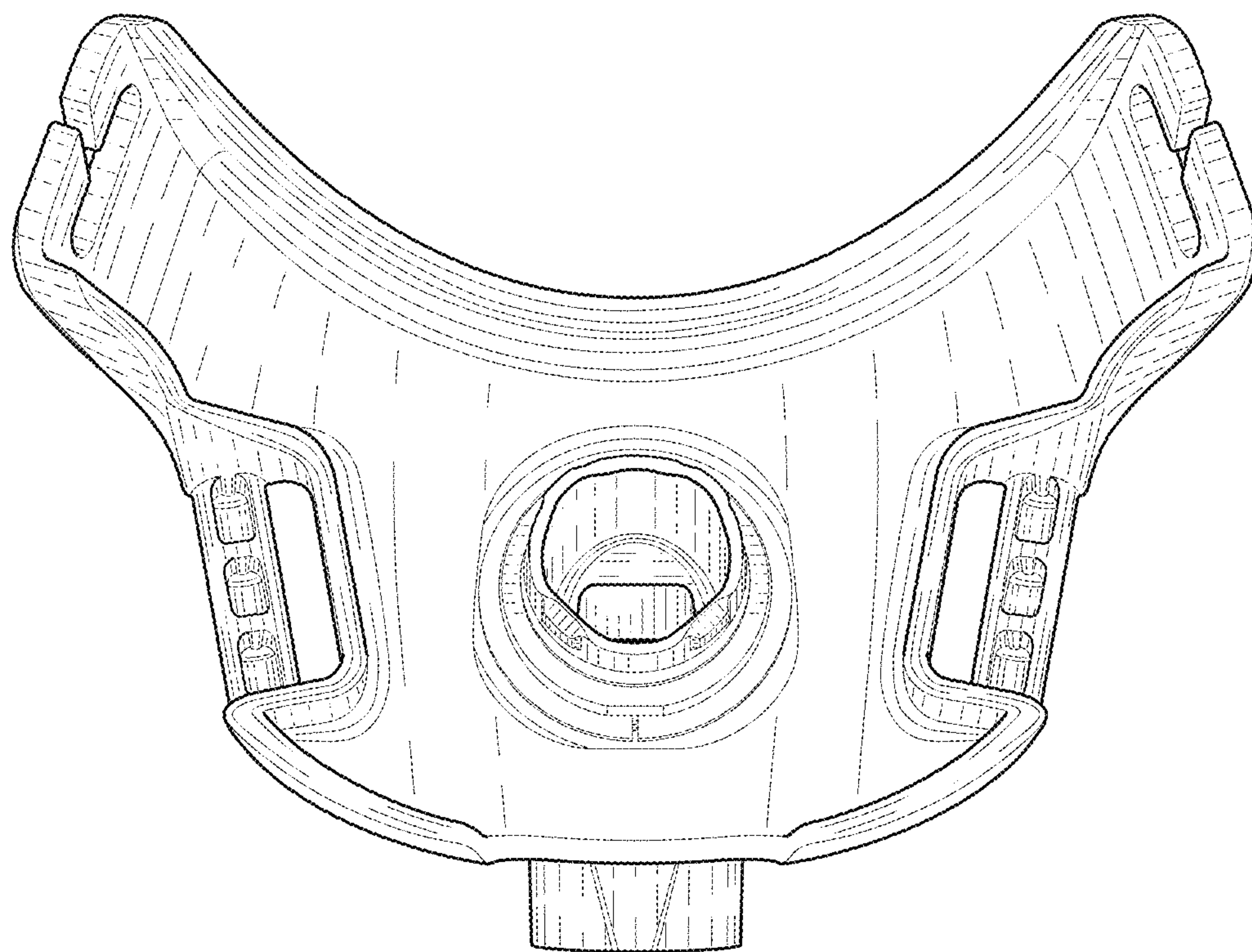


FIG. 3

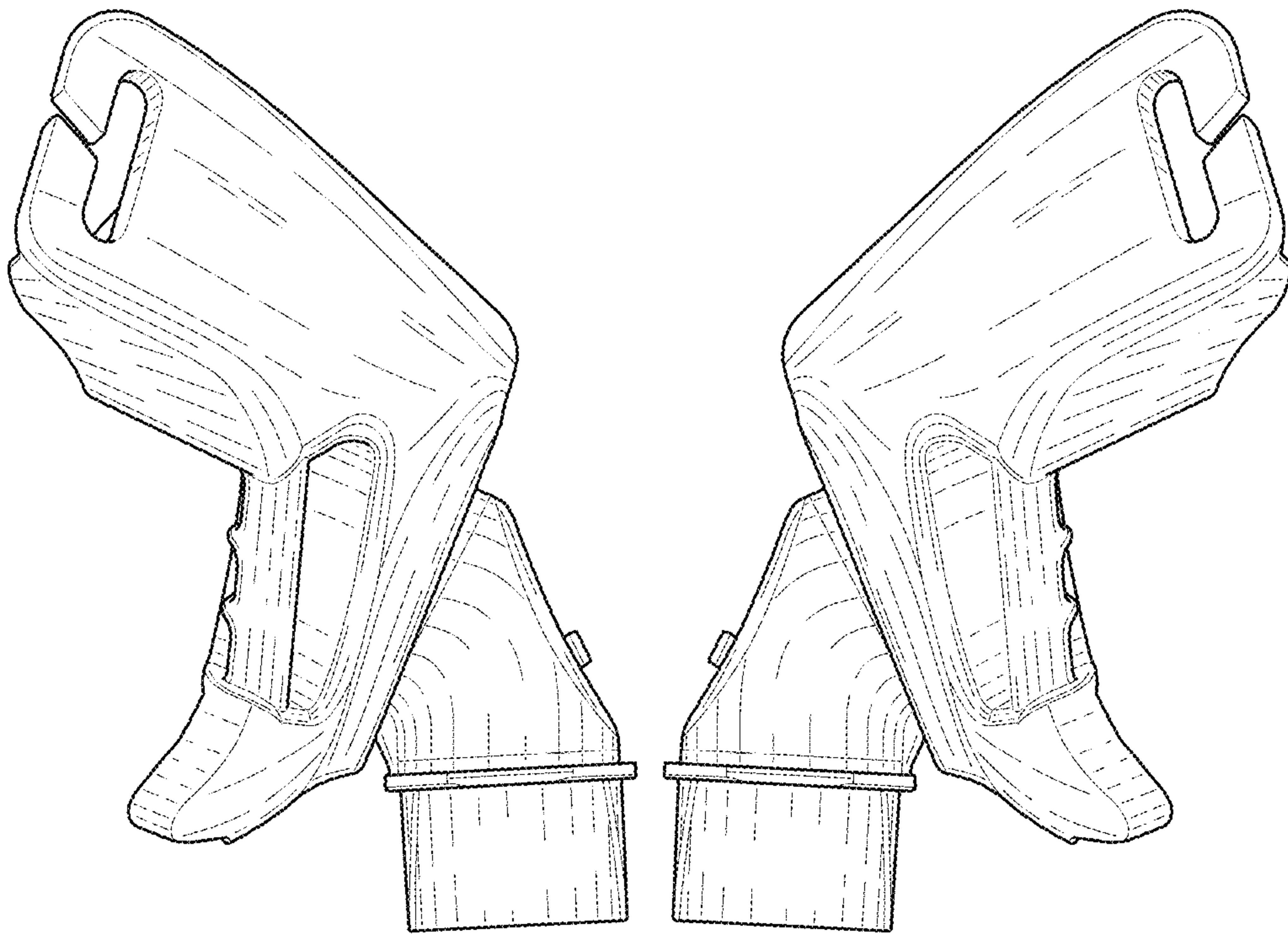


FIG. 4

FIG. 5

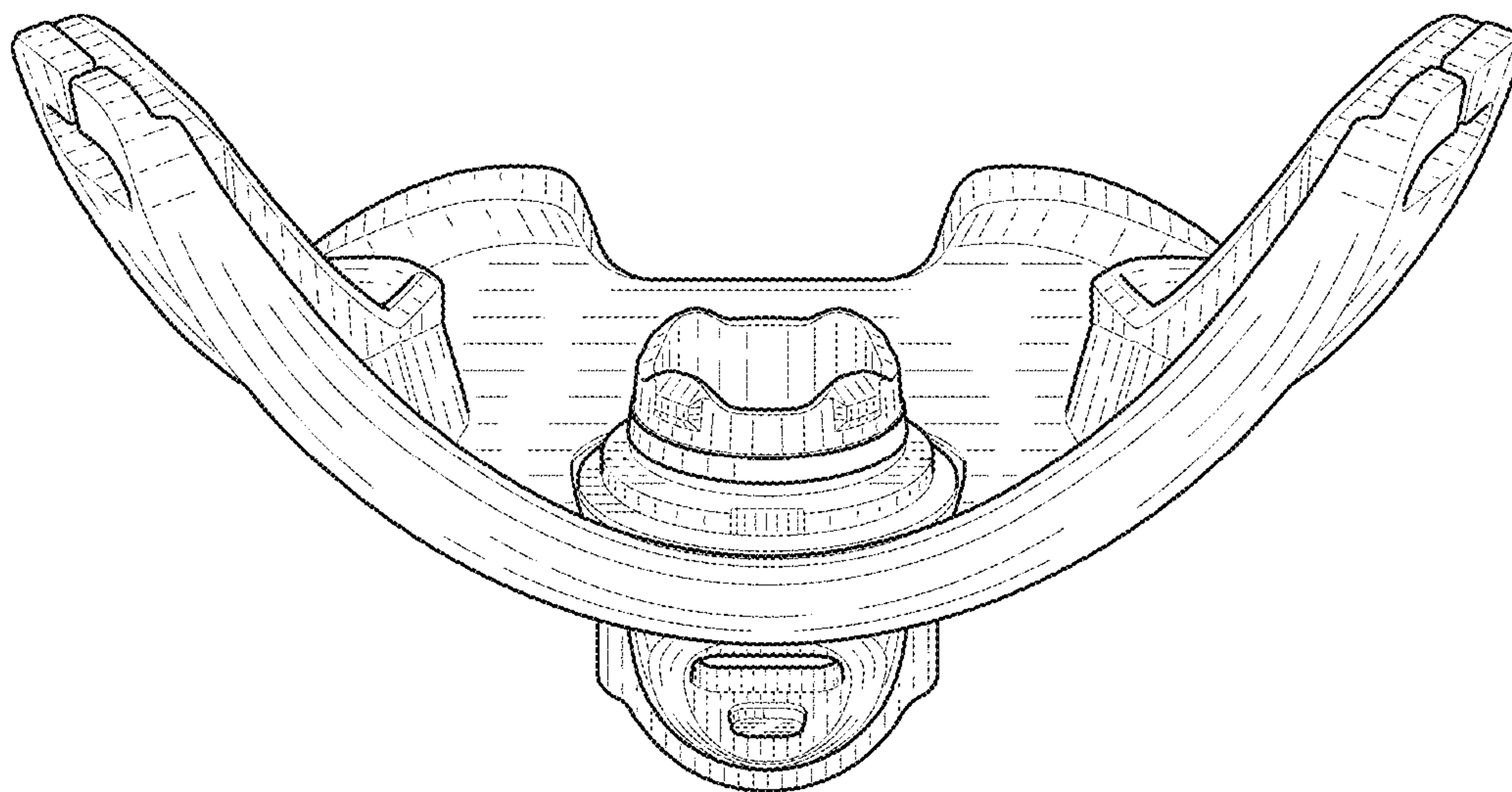


FIG. 6

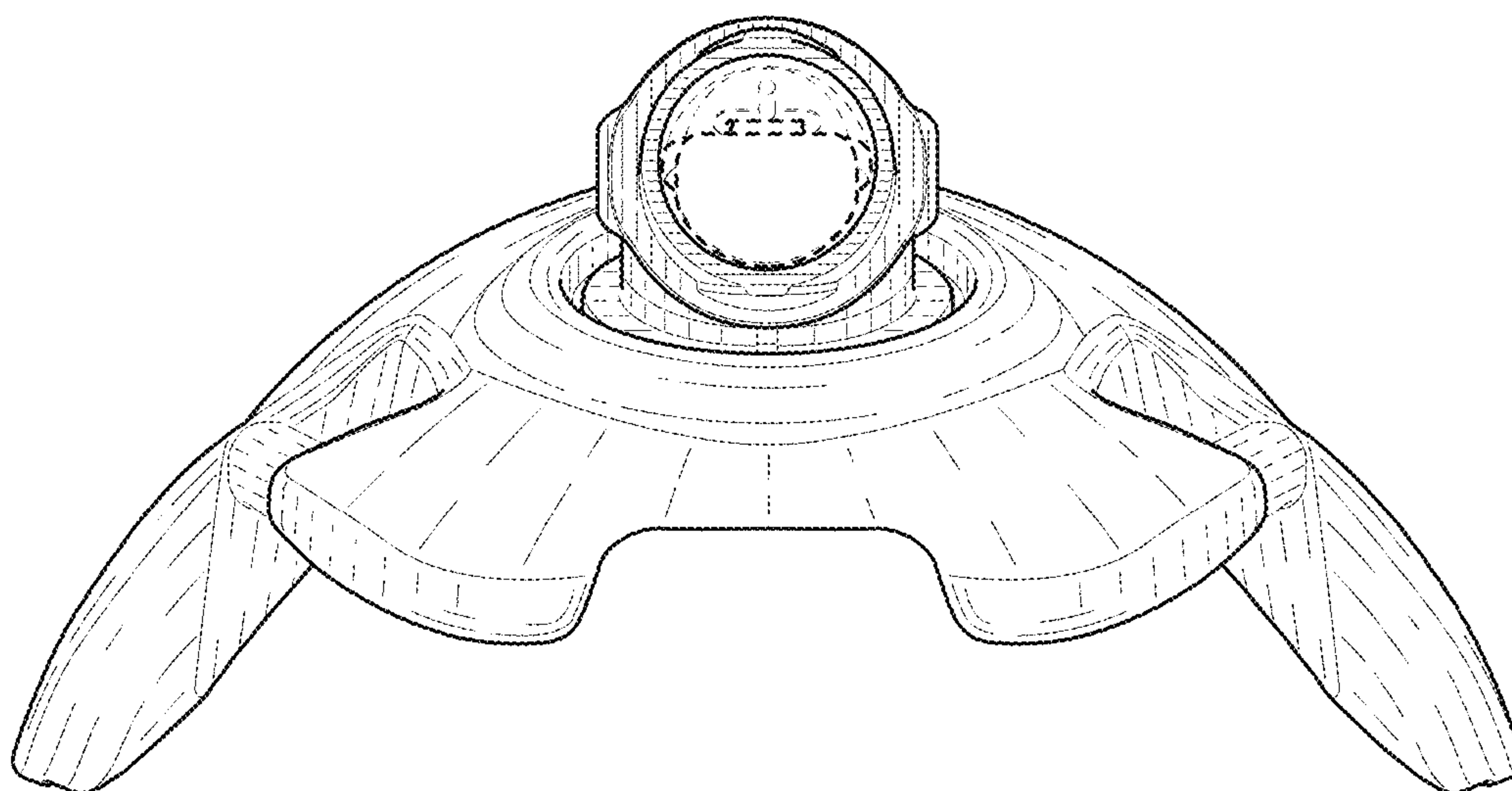


FIG. 7