



US00D771239S

(12) **United States Design Patent** (10) **Patent No.:** **US D771,239 S**  
**Walls et al.** (45) **Date of Patent:** **\*\* Nov. 8, 2016**

(54) **CROWN STRAP OF A HEADGEAR ASSEMBLY FOR A BREATHING INTERFACE**

(71) Applicant: **Fisher & Paykel Healthcare Limited, Auckland (NZ)**

(72) Inventors: **Bruce Michael Walls, Auckland (NZ); Rex Gordon Faithfull, Auckland (NZ); Arvin San Jose Gardiola, Auckland (NZ); Wen Dong Huang, Auckland (NZ)**

(73) Assignee: **Fisher & Paykel Healthcare Limited, Auckland (NZ)**

(\*\*) Term: **14 Years**

(21) Appl. No.: **29/490,331**

(22) Filed: **May 8, 2014**

(51) **LOC (10) Cl.** ..... **29-02**

(52) **U.S. Cl.**  
USPC ..... **D24/110.1; D24/127**

(58) **Field of Classification Search**  
USPC ..... D24/110-110.6, 127  
CPC ..... A61M 16/0622; A61M 16/0616; A61M 16/0816; A61M 16/08; A61M 16/0633; A61M 16/06; A61M 16/0666; A61M 2210/0618; A61M 16/0683  
See application file for complete search history.

(56) **References Cited**

**U.S. PATENT DOCUMENTS**

- D189,112 S \* 10/1960 Klinger ..... D16/339
- 3,047,876 A \* 8/1962 Malcom, Jr. .... A42B 3/145  
2/9
- 3,457,564 A 7/1969 Holloway
- 5,517,986 A 5/1996 Starr et al.
- D383,204 S \* 9/1997 Lomas ..... D24/110
- 6,119,694 A \* 9/2000 Correa ..... A61M 16/0666  
128/207.13
- D542,912 S \* 5/2007 Gunaratnam ..... D24/110.5
- D653,748 S \* 2/2012 Henry ..... D24/110.1
- D668,328 S \* 10/2012 Hill ..... D24/110.1
- D685,463 S \* 7/2013 Veliss ..... D24/110.1

- D693,459 S \* 11/2013 Prentice ..... D24/110.1
- D696,767 S \* 12/2013 Scheiner ..... D24/110.1
- D706,413 S \* 6/2014 Veliss ..... D24/110.1
- 8,839,785 B2 \* 9/2014 Castiglione ..... A62B 18/084  
128/201.24
- 8,875,318 B2 \* 11/2014 Huh ..... A42B 3/145  
2/416
- 2006/0196511 A1 \* 9/2006 Lau ..... A61M 16/0666  
128/207.11
- 2006/0237017 A1 \* 10/2006 Davidson ..... A61M 16/06  
128/205.25
- 2007/0245466 A1 \* 10/2007 Lilenthal ..... A42B 3/14  
2/416
- 2009/0044808 A1 \* 2/2009 Guney ..... A61M 16/0666  
128/206.24
- 2009/0183739 A1 \* 7/2009 Wondka ..... A61M 16/06  
128/207.18

(Continued)

*Primary Examiner* — Barbara Fox

*Assistant Examiner* — Lilyana Bekic

(74) *Attorney, Agent, or Firm* — Knobbe Martens Olson & Bear LLP

(57) **CLAIM**

The ornamental design for a crown strap of a headgear assembly for a breathing interface, as shown and described.

**DESCRIPTION**

FIG. 1 is a first perspective view showing a rear, right side of a crown strap of a headgear assembly for a breathing interface showing the new design.

FIG. 2 is a top view of the crown strap of a headgear assembly for a breathing interface of FIG. 1.

FIG. 3 is a rear view of the crown strap of a headgear assembly for a breathing interface of FIG. 1.

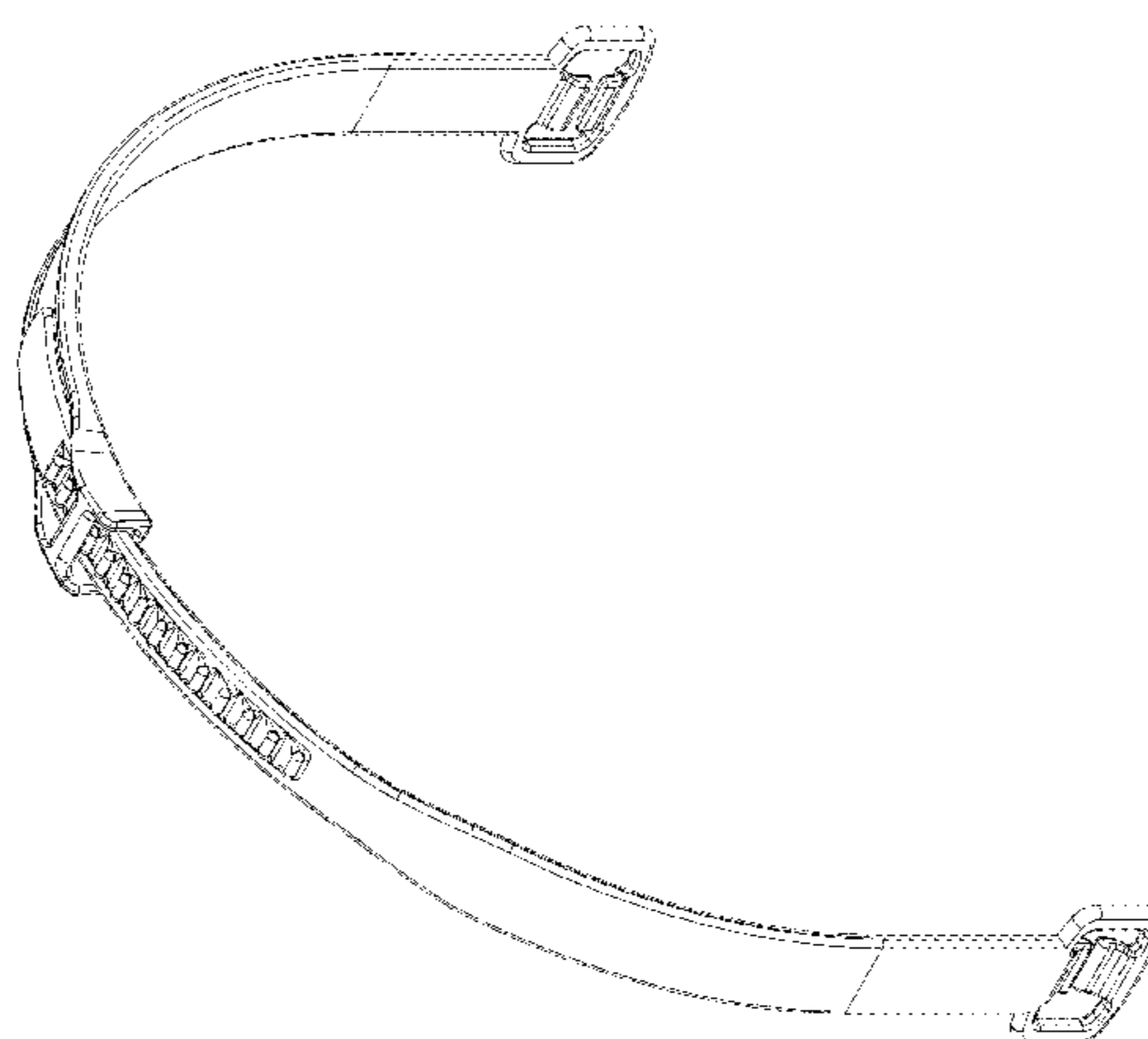
FIG. 4 is a left side view of the crown strap of a headgear assembly for a breathing interface of FIG. 1.

FIG. 5 is a top view of the crown strap of a headgear assembly for a breathing interface of FIG. 1.

FIG. 6 is a front view of the crown strap of a headgear assembly for a breathing interface of FIG. 1; and,

FIG. 7 is a bottom view of the crown strap of a headgear assembly for a breathing interface of FIG. 1.

**1 Claim, 7 Drawing Sheets**



# US D771,239 S

Page 2

---

(56)

## References Cited

### U.S. PATENT DOCUMENTS

2010/0258136 A1\* 10/2010 Doherty ..... A61M 16/0666  
128/207.17

2011/0000492 A1\* 1/2011 Veliss ..... A61M 16/0666  
128/207.13

2013/0220327 A1 8/2013 Barlow et al.

\* cited by examiner

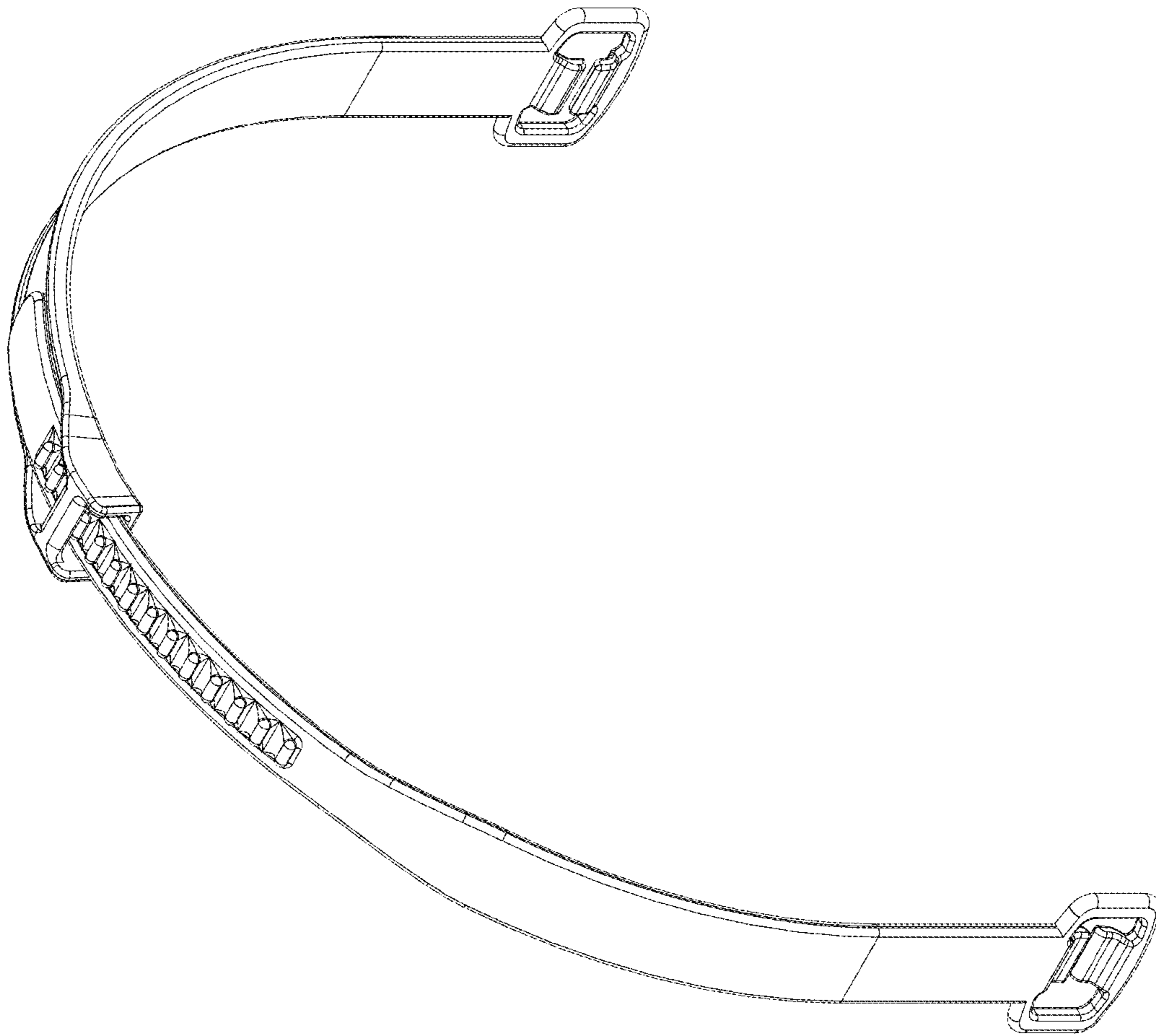


Figure 1

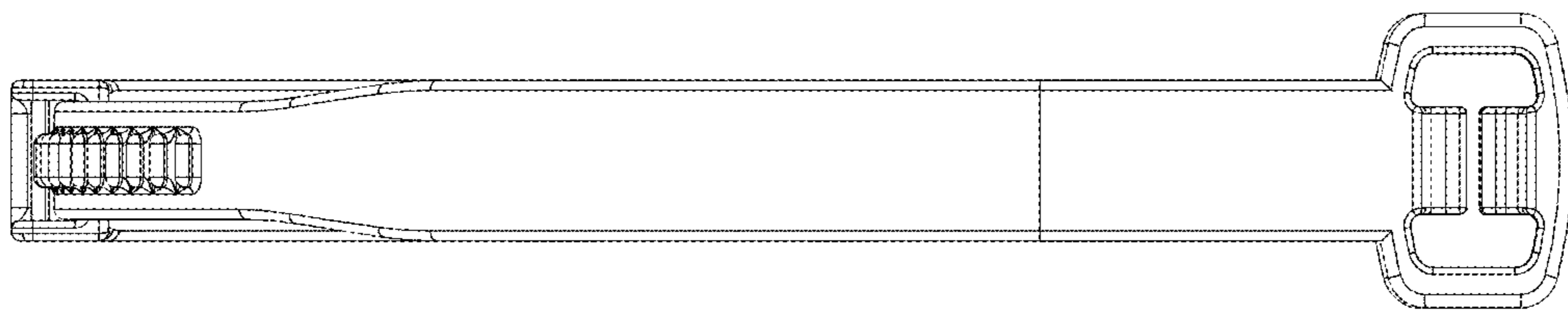


Figure 2

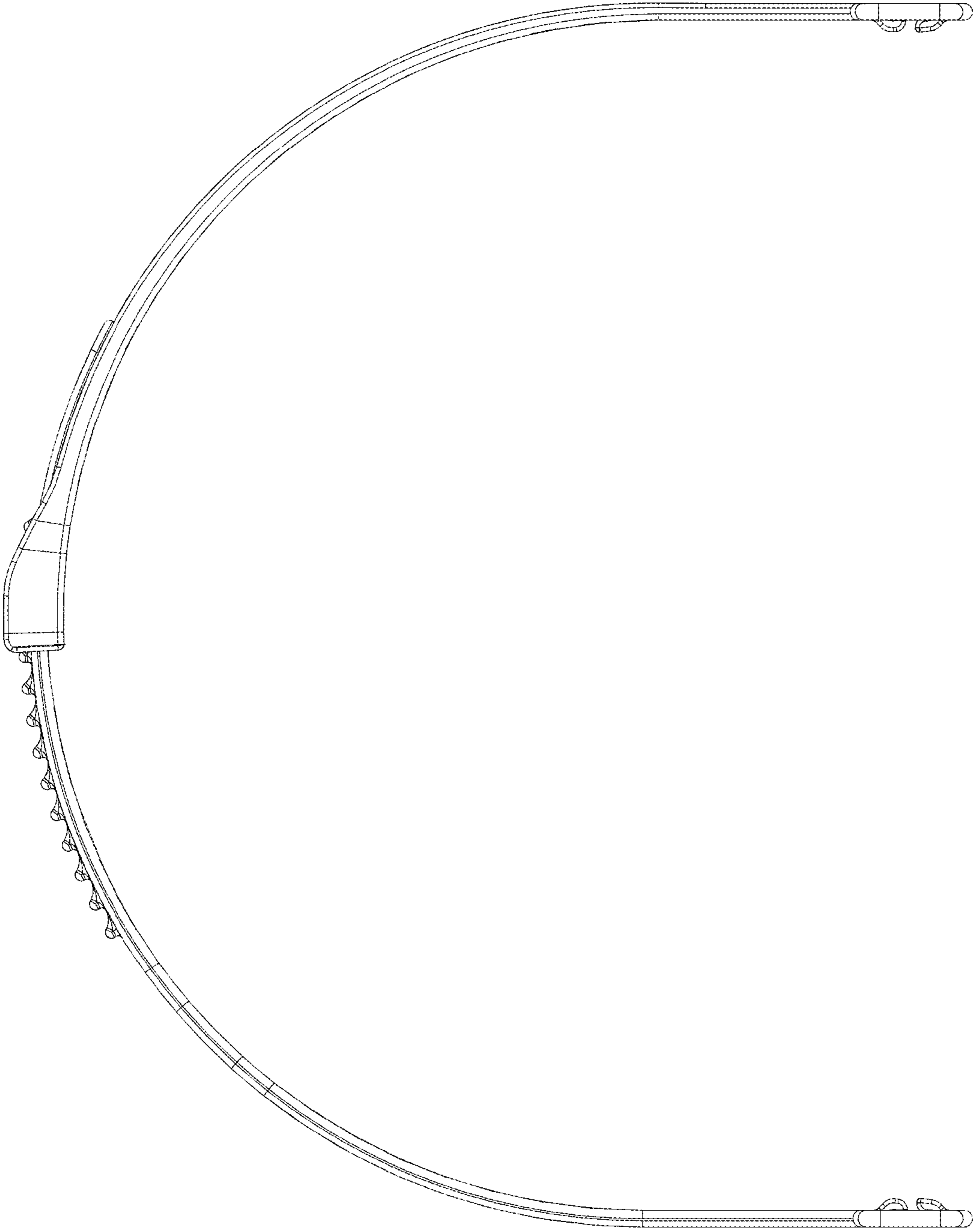


Figure 3

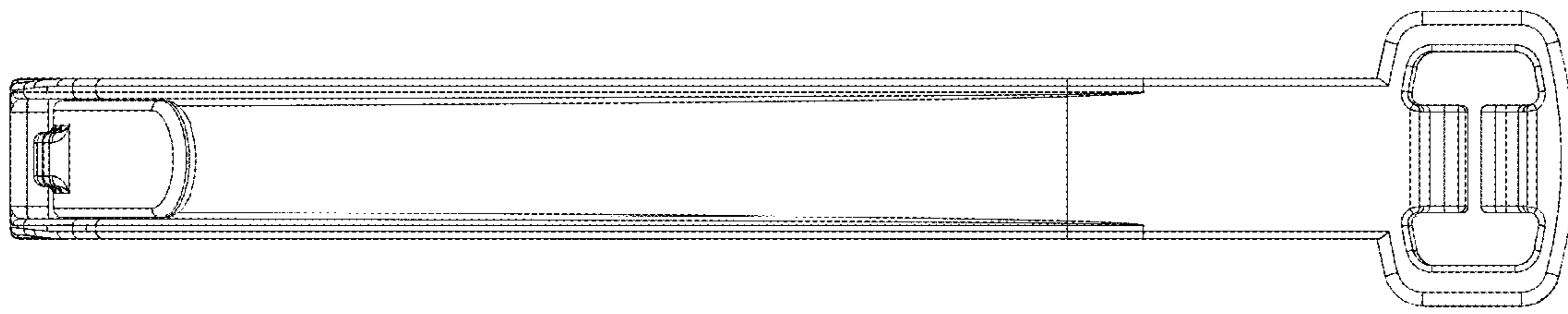


Figure 4

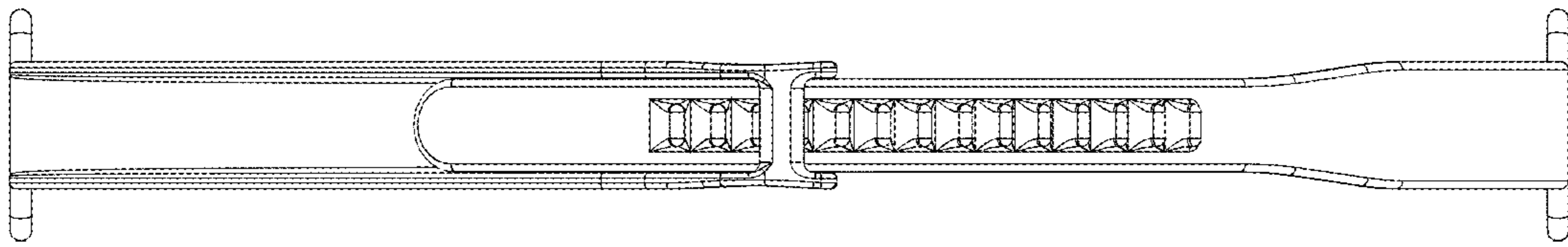


Figure 5



Figure 6



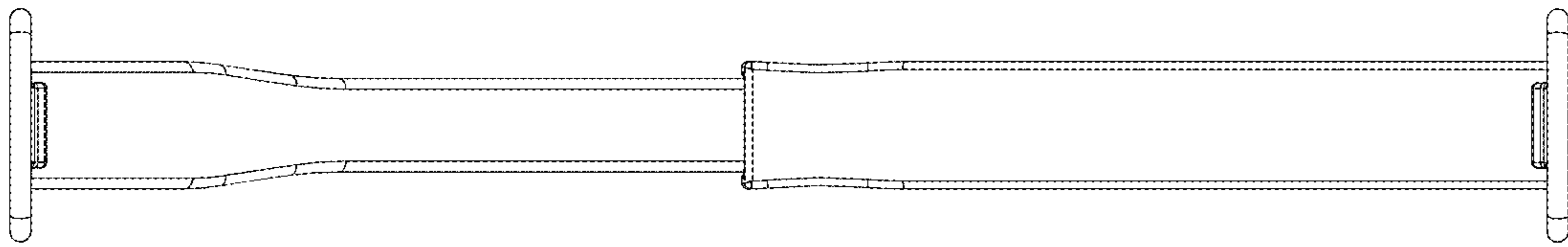


Figure 7