



US00D771238S

(12) **United States Design Patent** (10) **Patent No.:** **US D771,238 S**
Scheiner et al. (45) **Date of Patent:** **** Nov. 8, 2016**

(54) **COMBINED PLENUM, SEAL AND CLIP MODULE FOR PATIENT INTERFACE**

D737,953 S * 9/2015 Wells D24/110
D739,009 S * 9/2015 Hogeia D24/110.1
D743,535 S * 11/2015 Wells D24/110

(71) Applicant: **ResMed Limited**, Bella Vista, New South Wales (AU)

(Continued)

(72) Inventors: **Rupert Christian Scheiner**, Sydney (AU); **William Laurence Hitchcock**, Sydney (AU); **Adam Francis Barlow**, Sydney (AU); **Gerard Michael Rummery**, Woodford (AU)

Primary Examiner — Barbara Fox

Assistant Examiner — Lilyana Bekic

(74) *Attorney, Agent, or Firm* — Nixon & Vanderhye P.C.

(73) Assignee: **ResMed Limited**, Bella Vista (AU)

(57) **CLAIM**

The ornamental design for a combined plenum, seal and clip module for patient interface, as shown and described.

(**) Term: **14 Years**

DESCRIPTION

(21) Appl. No.: **29/479,487**

FIG. 1 is a perspective view of a combined plenum, seal and clip module showing a first embodiment according to our new design;

(22) Filed: **Jan. 16, 2014**

FIG. 2 is an enlarged perspective view thereof in isolation;

(51) **LOC (10) Cl.** **29-02**

FIG. 3 is a front view thereof;

(52) **U.S. Cl.**

FIG. 4 is a rear view thereof;

USPC **D24/110.1; D24/110.4**

FIG. 5 is a top view thereof;

(58) **Field of Classification Search**

USPC **D24/110-110.6, 127**

FIG. 6 is a bottom view thereof;

CPC **A61M 16/0622; A61M 16/0616;**

FIG. 7 is a right side view thereof;

A61M 16/0816; A61M 16/08; A61M

FIG. 8 is a left side view thereof;

16/0633; A61M 16/06; A61M 16/0666;

FIG. 9 is another perspective view thereof;

A61M 2210/0618; A61M 16/0683

FIG. 10 is a perspective view of a combined plenum, seal and clip module showing a second embodiment according to our new design;

See application file for complete search history.

FIG. 11 is an enlarged perspective view thereof in isolation;

(56) **References Cited**

FIG. 12 is a front view thereof;

U.S. PATENT DOCUMENTS

FIG. 13 is a rear view thereof;

D464,426 S * 10/2002 Palkon D24/110.1

FIG. 14 is a top view thereof;

D487,510 S * 3/2004 Guney D24/110.1

FIG. 15 is a bottom view thereof;

D493,521 S * 7/2004 Guney D24/110.1

FIG. 16 is a right side view thereof;

D494,675 S * 8/2004 Guney D24/110.1

FIG. 17 is a left side view thereof; and,

D507,348 S * 7/2005 Moore D24/110.1

FIG. 18 is another perspective view thereof.

D530,007 S * 10/2006 Guney D24/110.1

The broken line showing of the patient interface in FIGS. 1 and 10 illustrates the environment of the claimed design and forms no part thereof.

D582,545 S * 12/2008 Omura D24/110.1

Line shading and stippling in FIGS. 1-9 have been used to indicate a contrast in appearance.

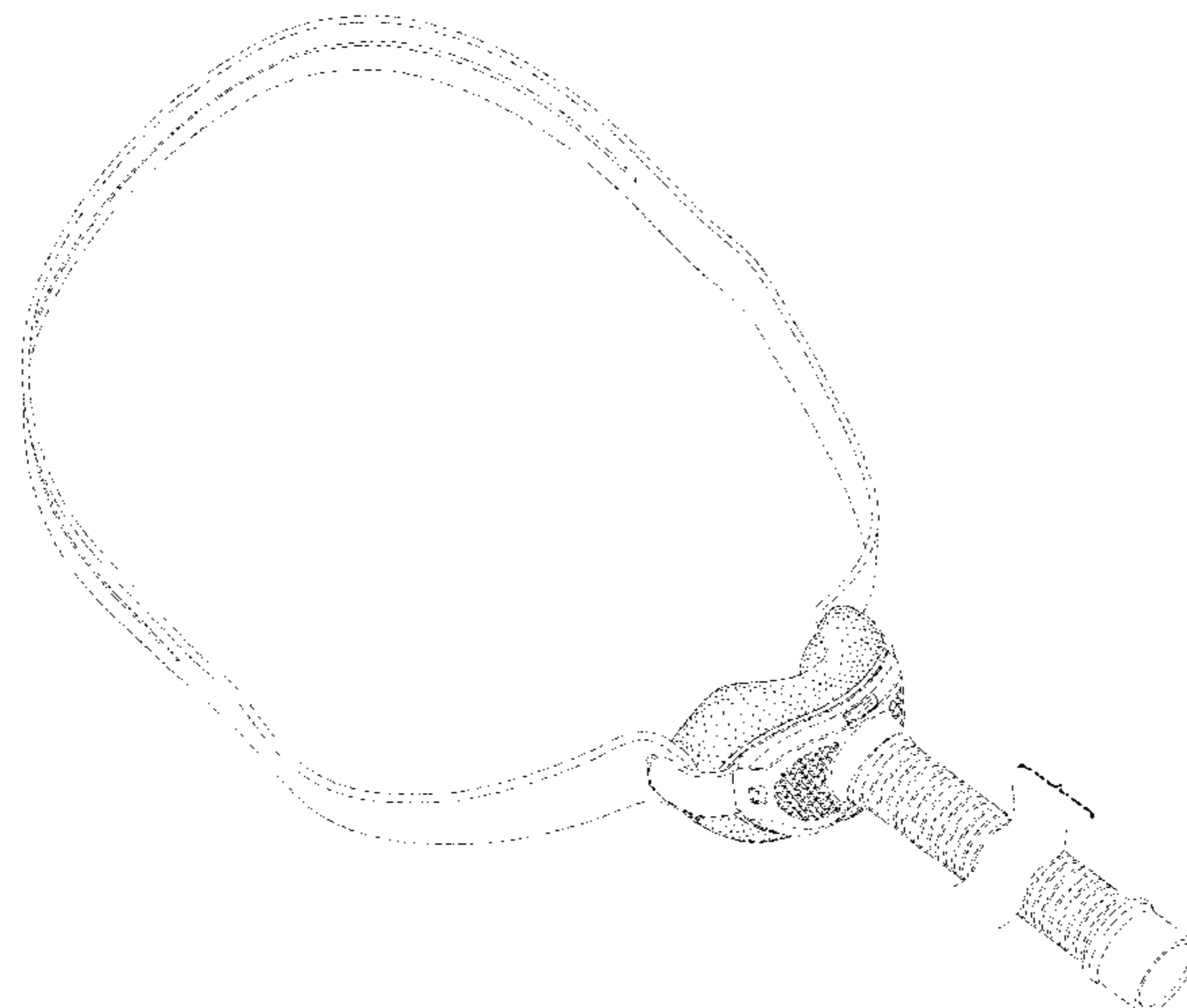
D585,981 S * 2/2009 Moore D24/110.1

1 Claim, 10 Drawing Sheets

D692,554 S * 10/2013 Siew D24/110.1

D706,412 S * 6/2014 Henry D24/110

D728,778 S * 5/2015 Huth D24/110.1



US D771,238 S

Page 2

(56)

References Cited

U.S. PATENT DOCUMENTS

2011/0259335 A1*	10/2011	Sullivan	A61M 16/0683 128/205.25	2014/0026890 A1*	1/2014	Haskard	A61M 16/0683 128/207.11
2013/0199537 A1*	8/2013	Formica	A61M 16/06 128/205.25	2015/0224274 A1*	8/2015	Siew	A61M 16/0683 128/206.24
				2015/0283349 A1*	10/2015	McLaren	A61M 16/06 128/206.21

* cited by examiner

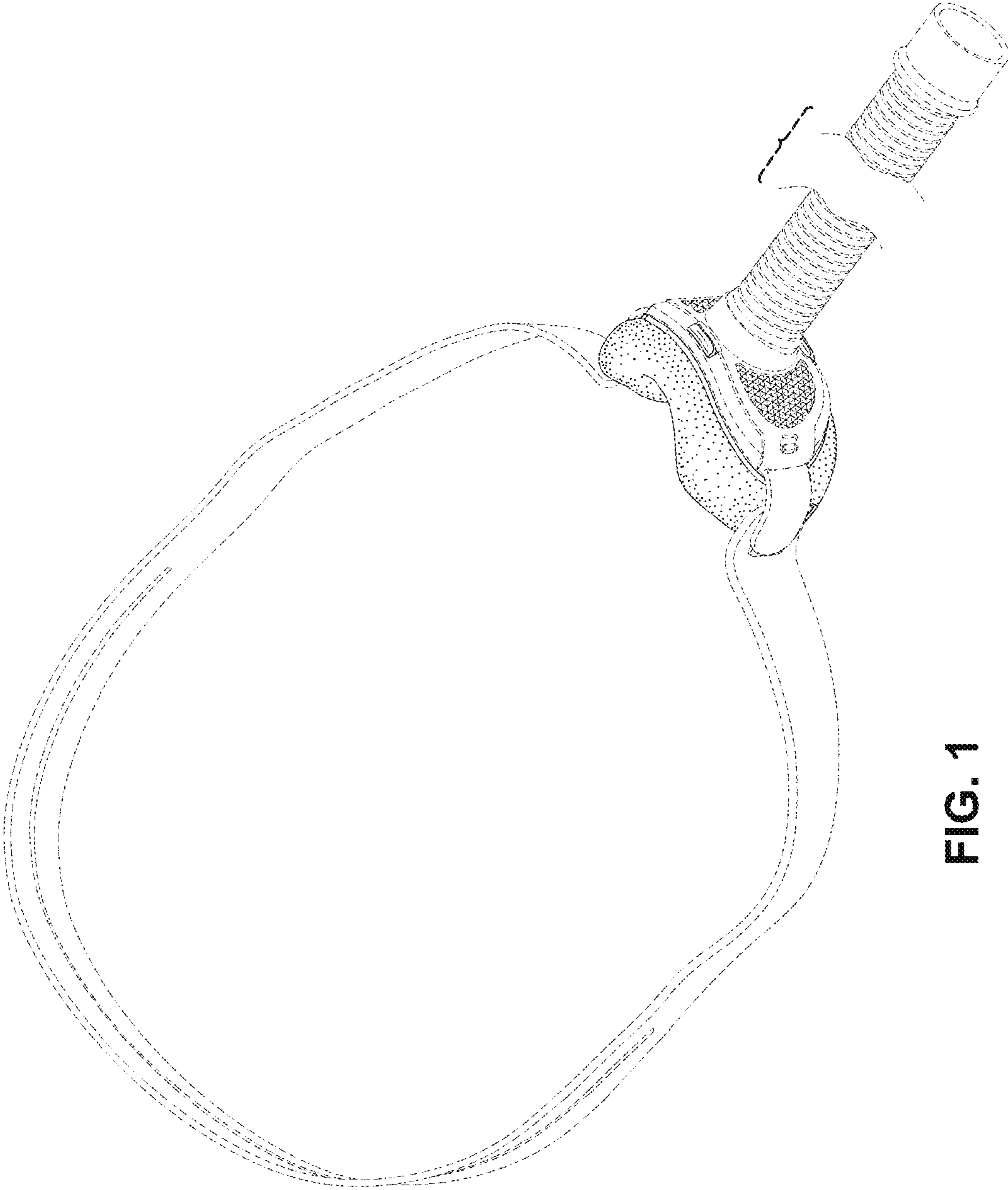


FIG. 1

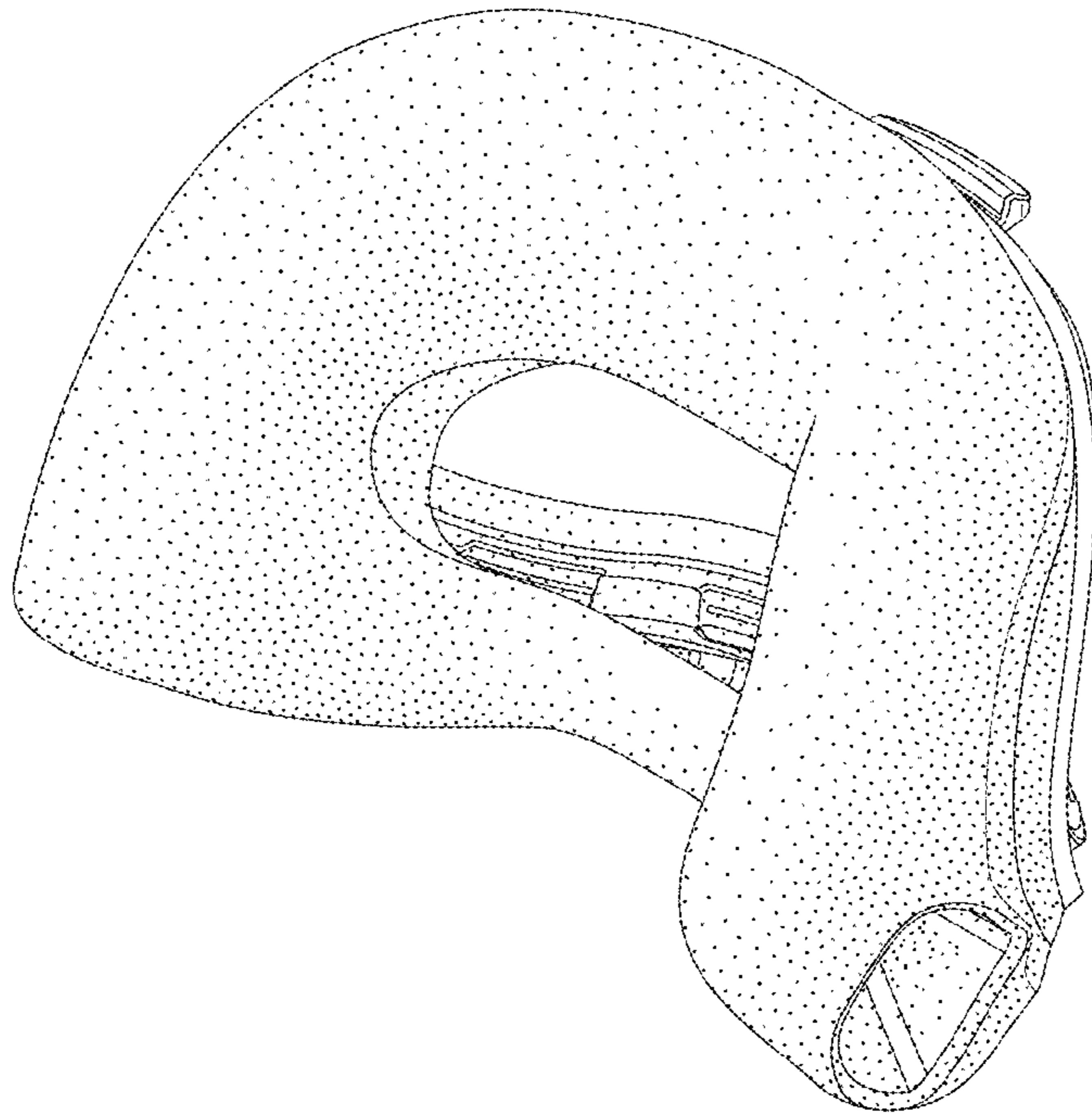


FIG. 2

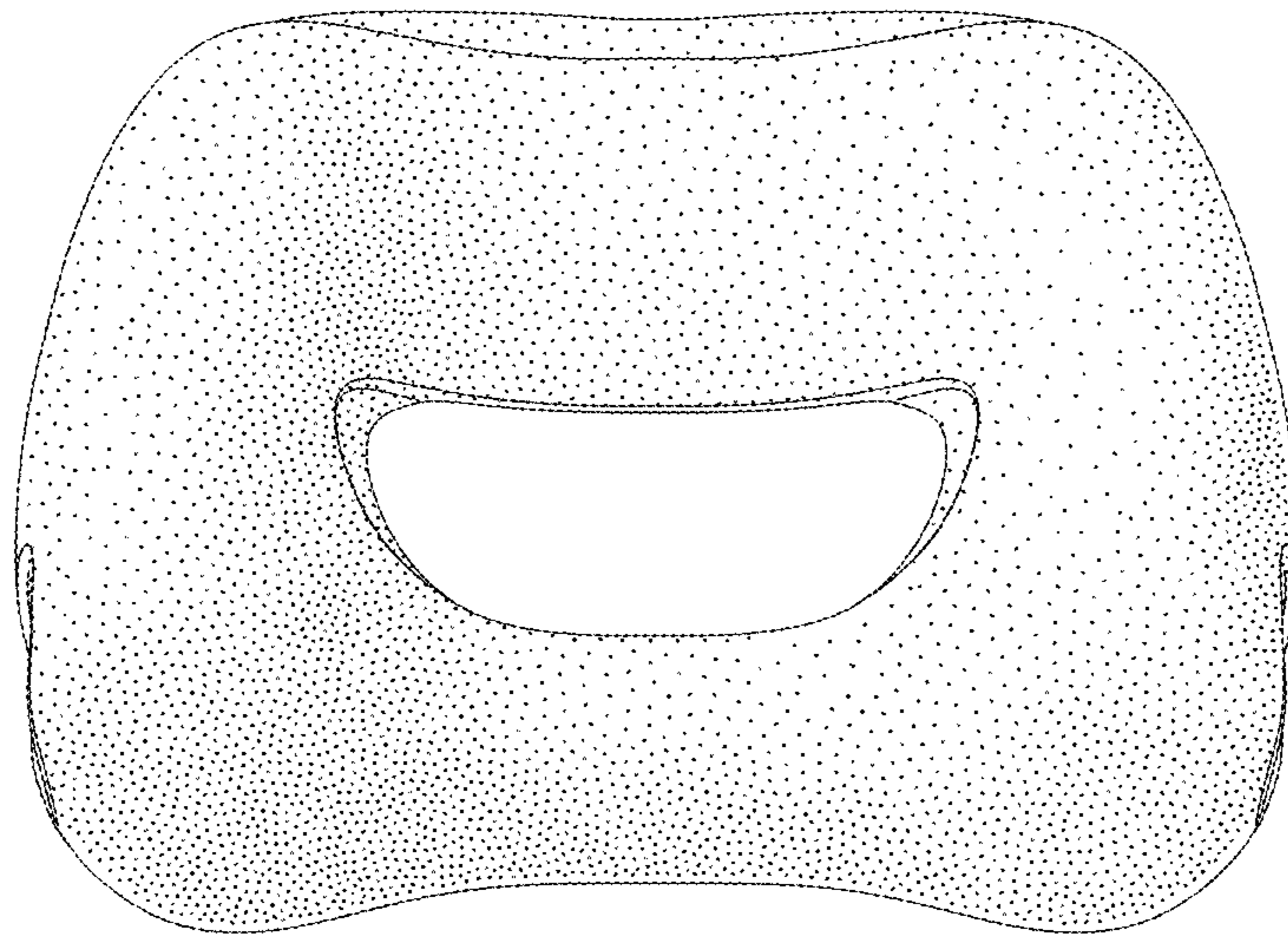


FIG. 3

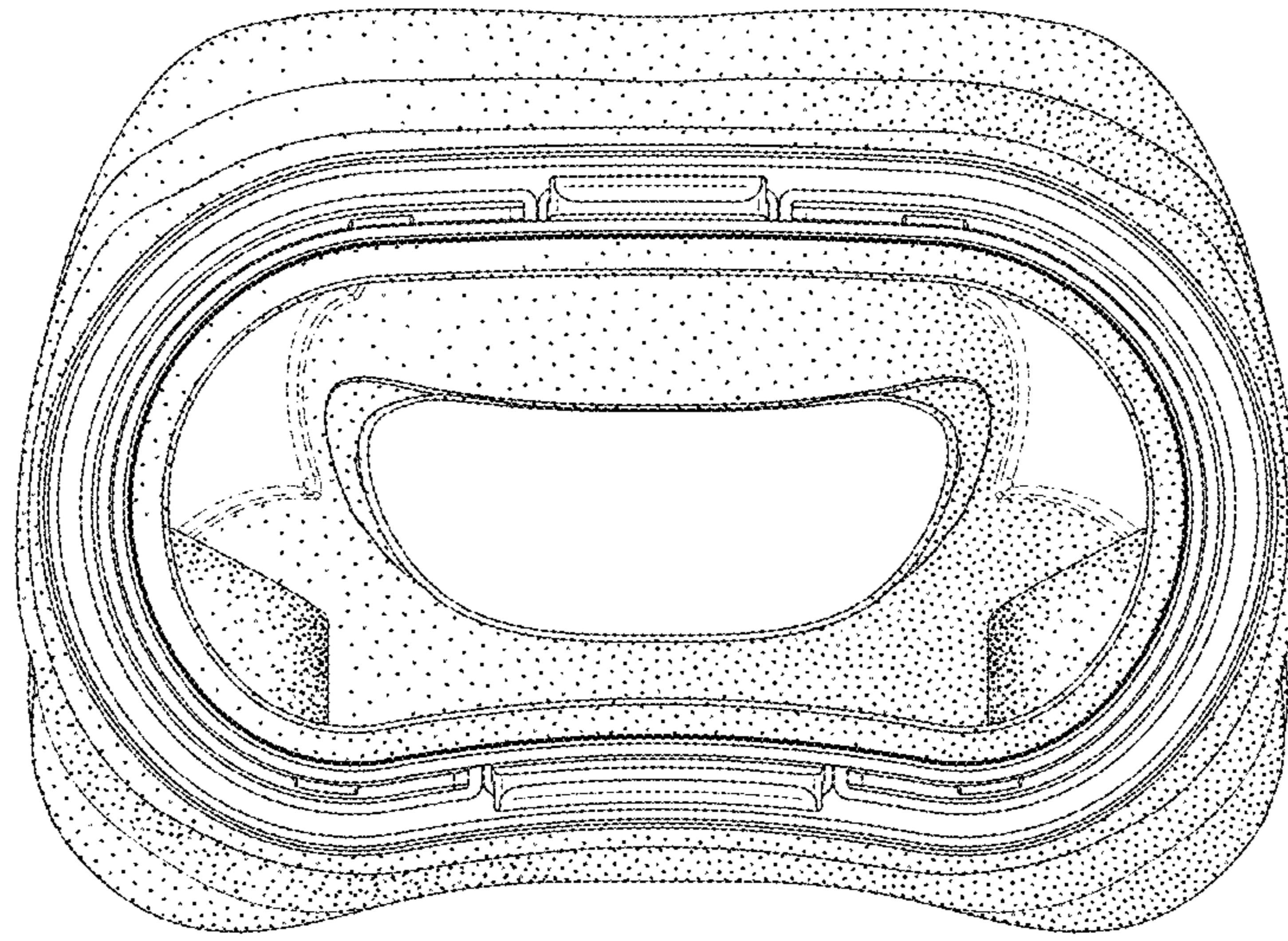


FIG. 4

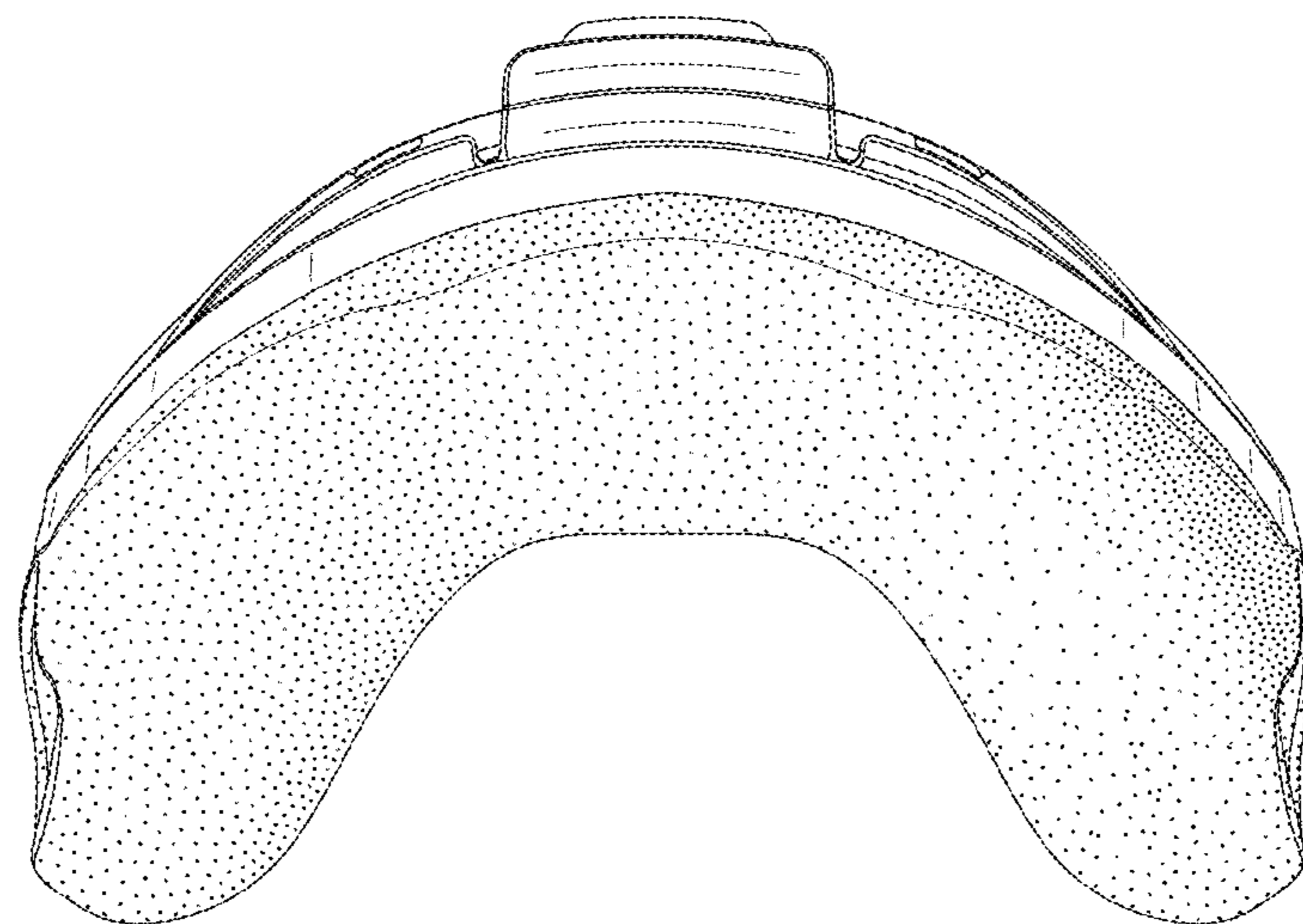


FIG. 5

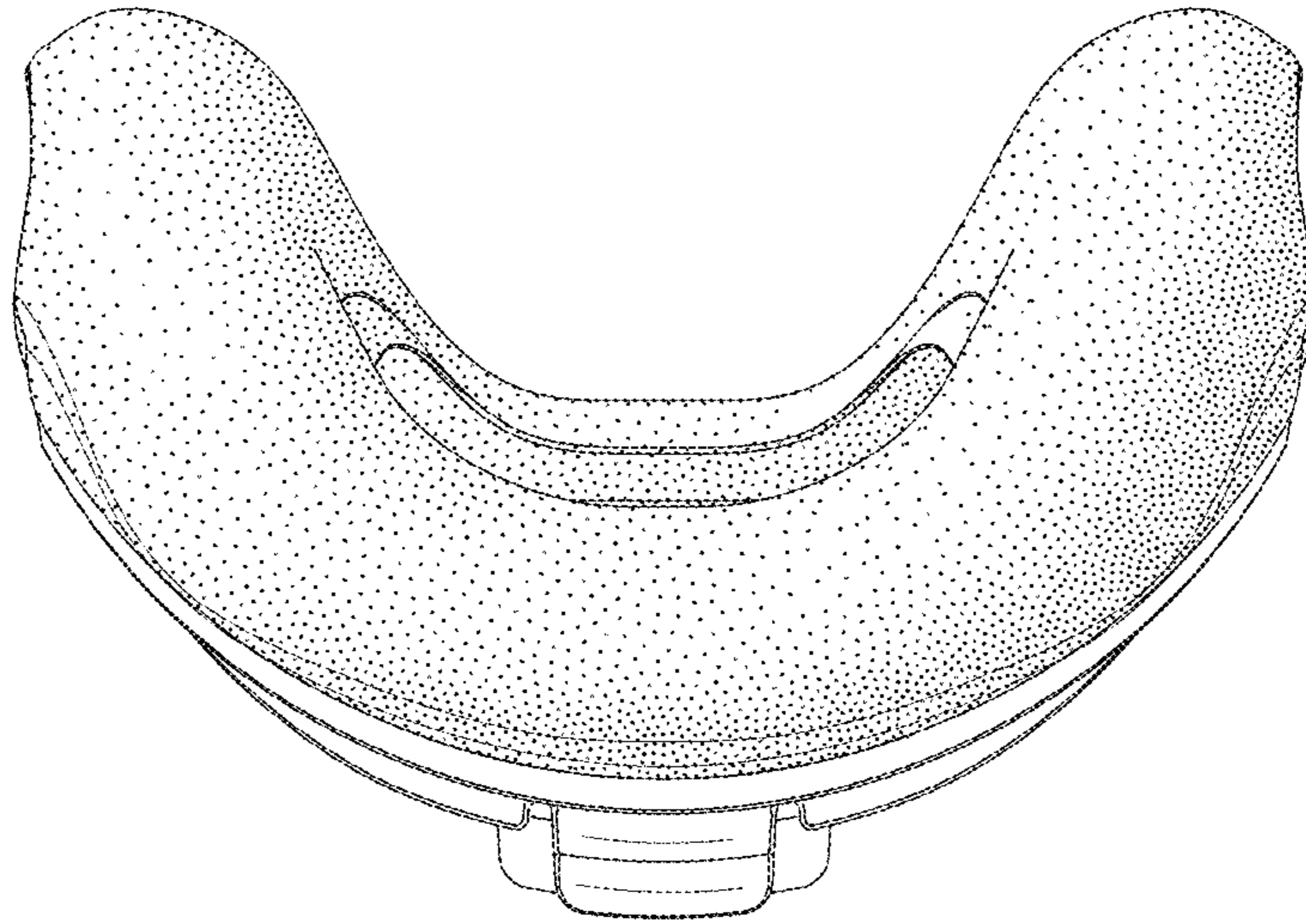


FIG. 6

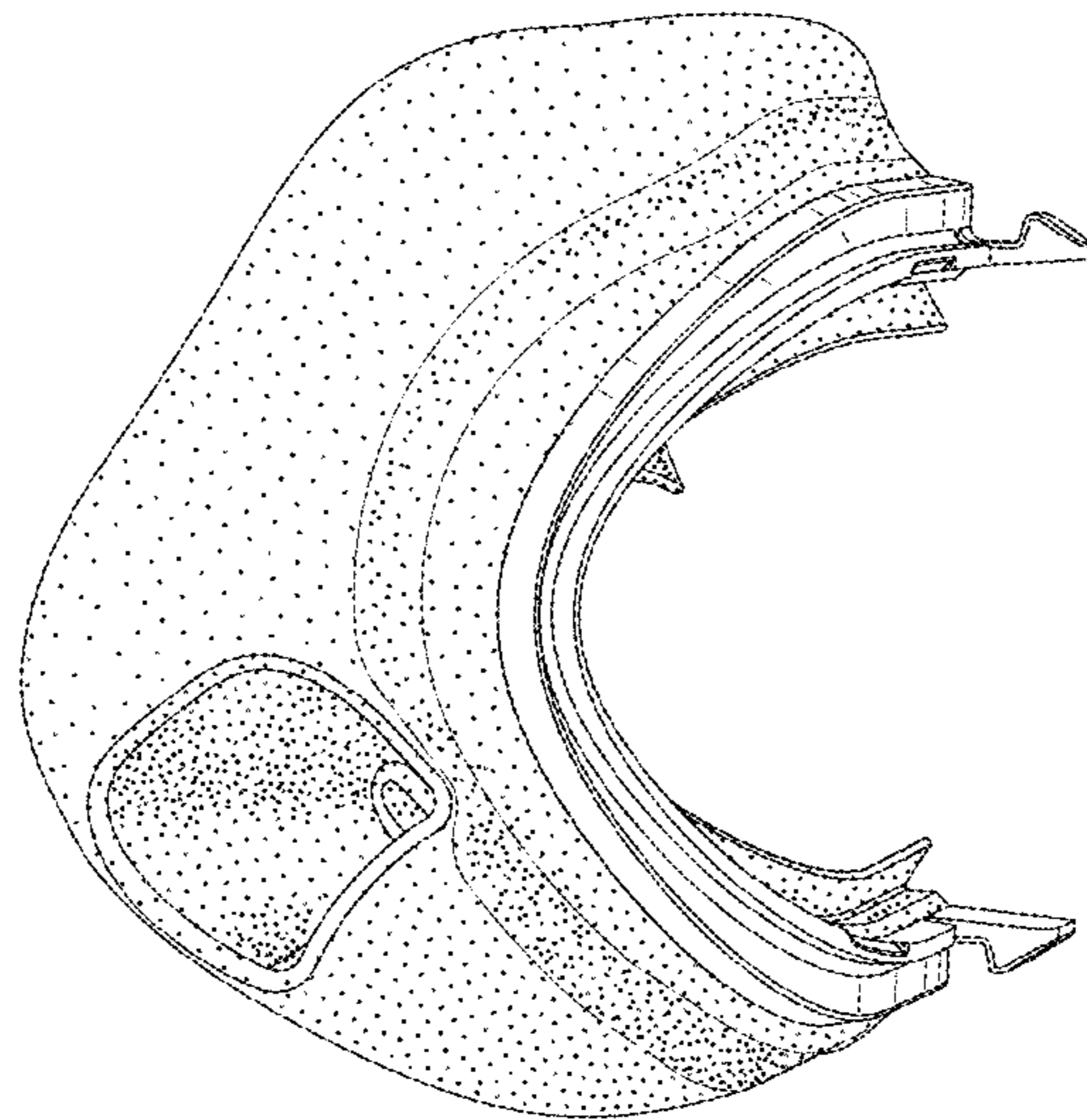


FIG. 7

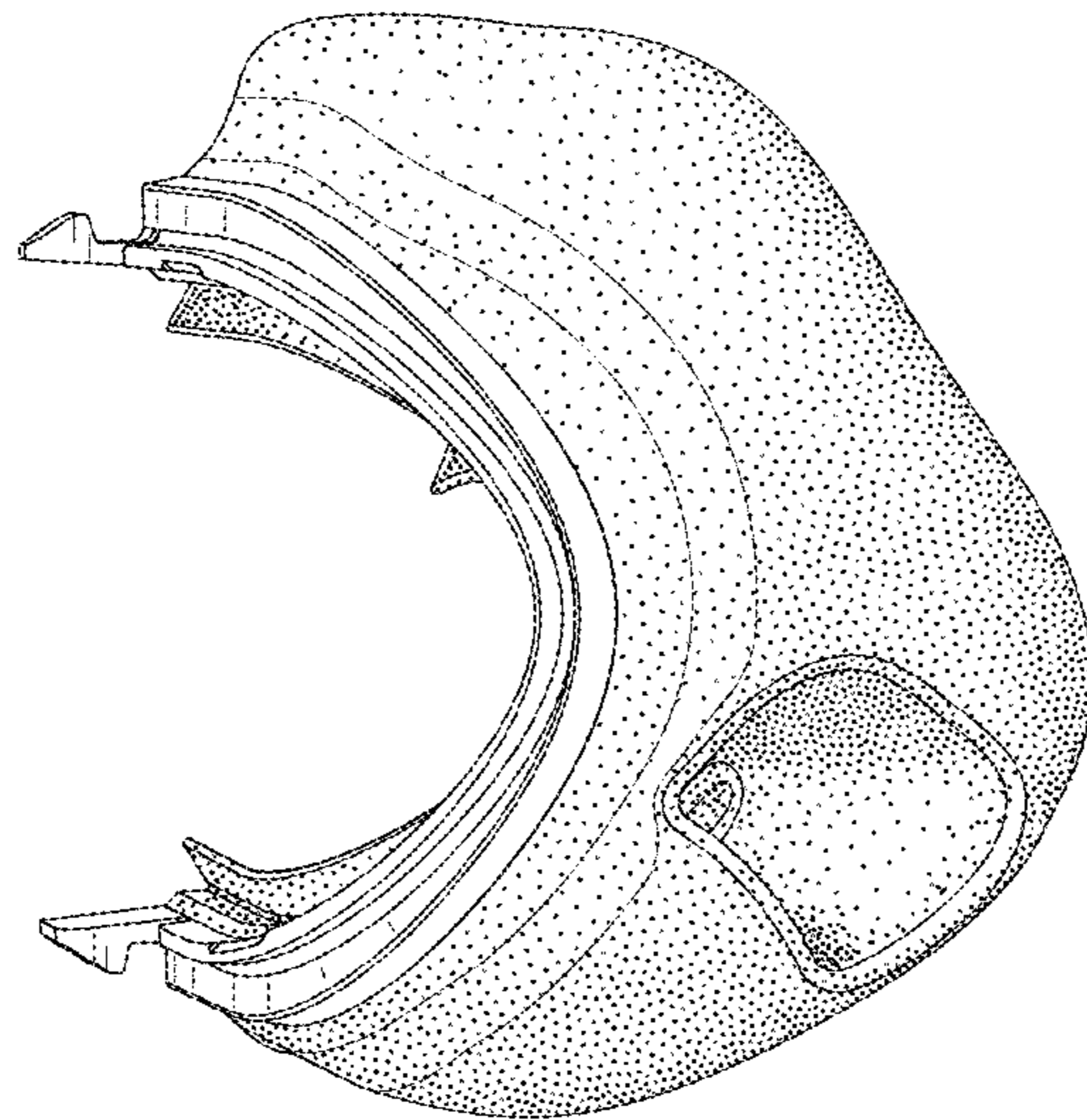


FIG. 8

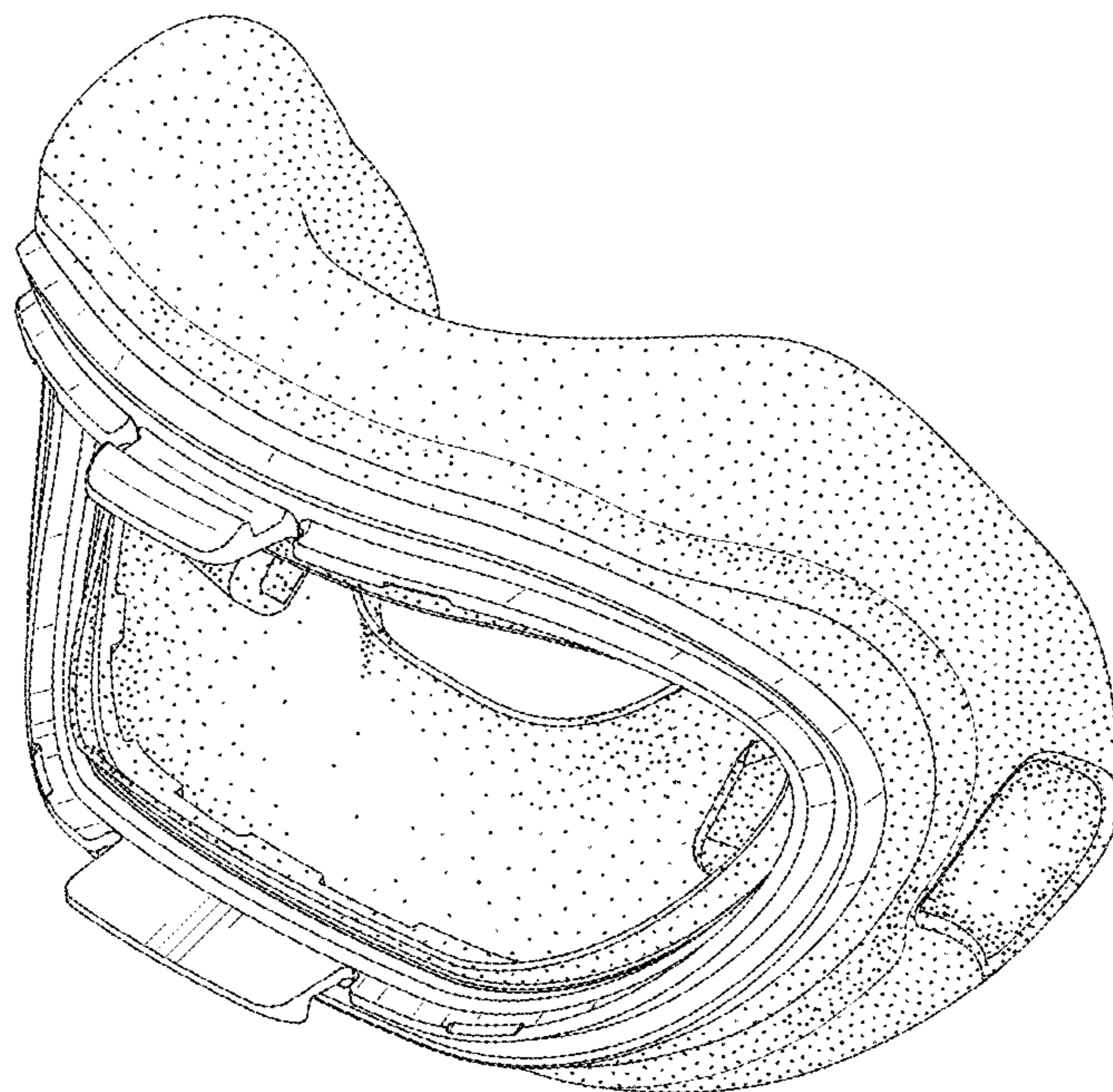


FIG. 9

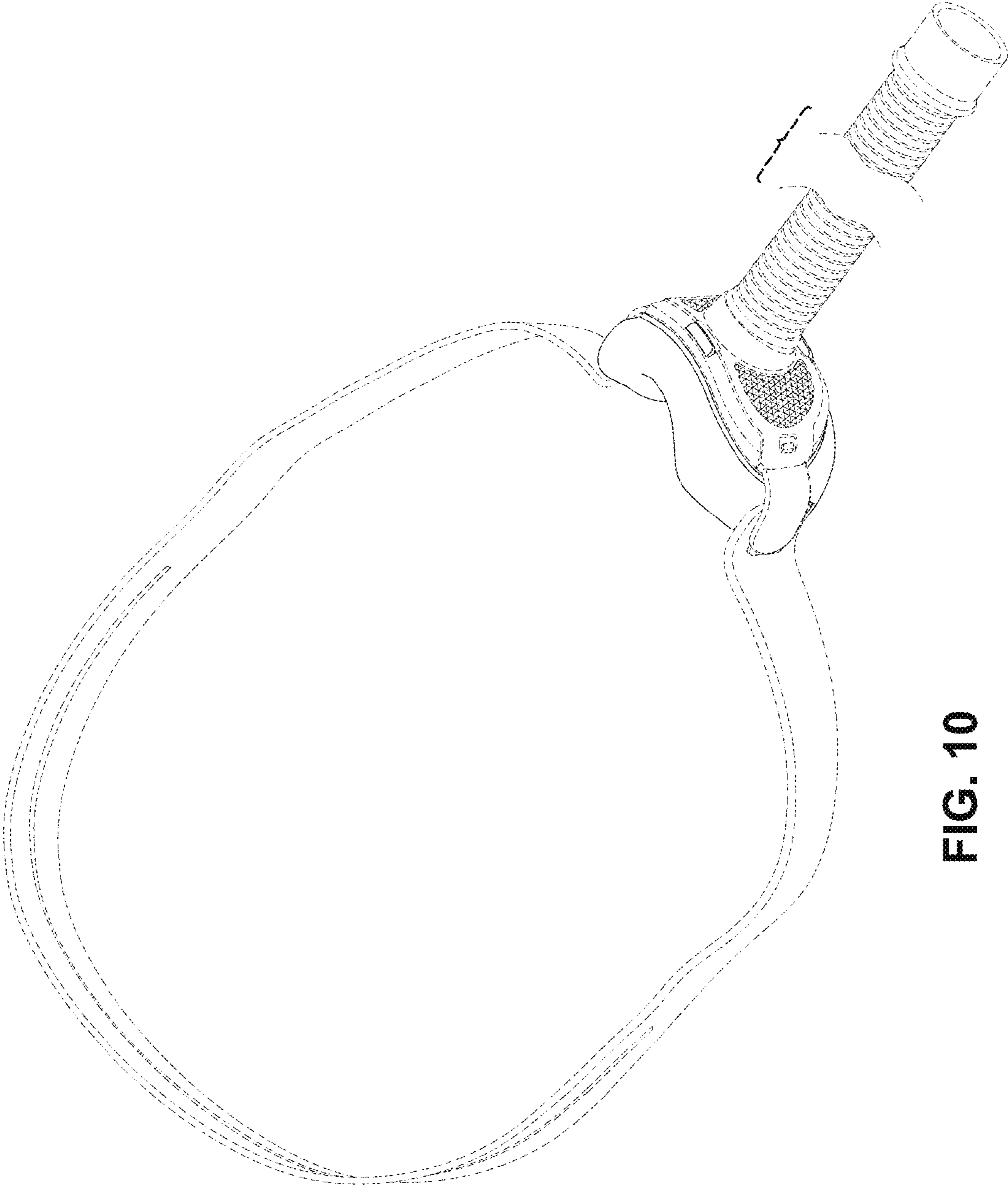


FIG. 10

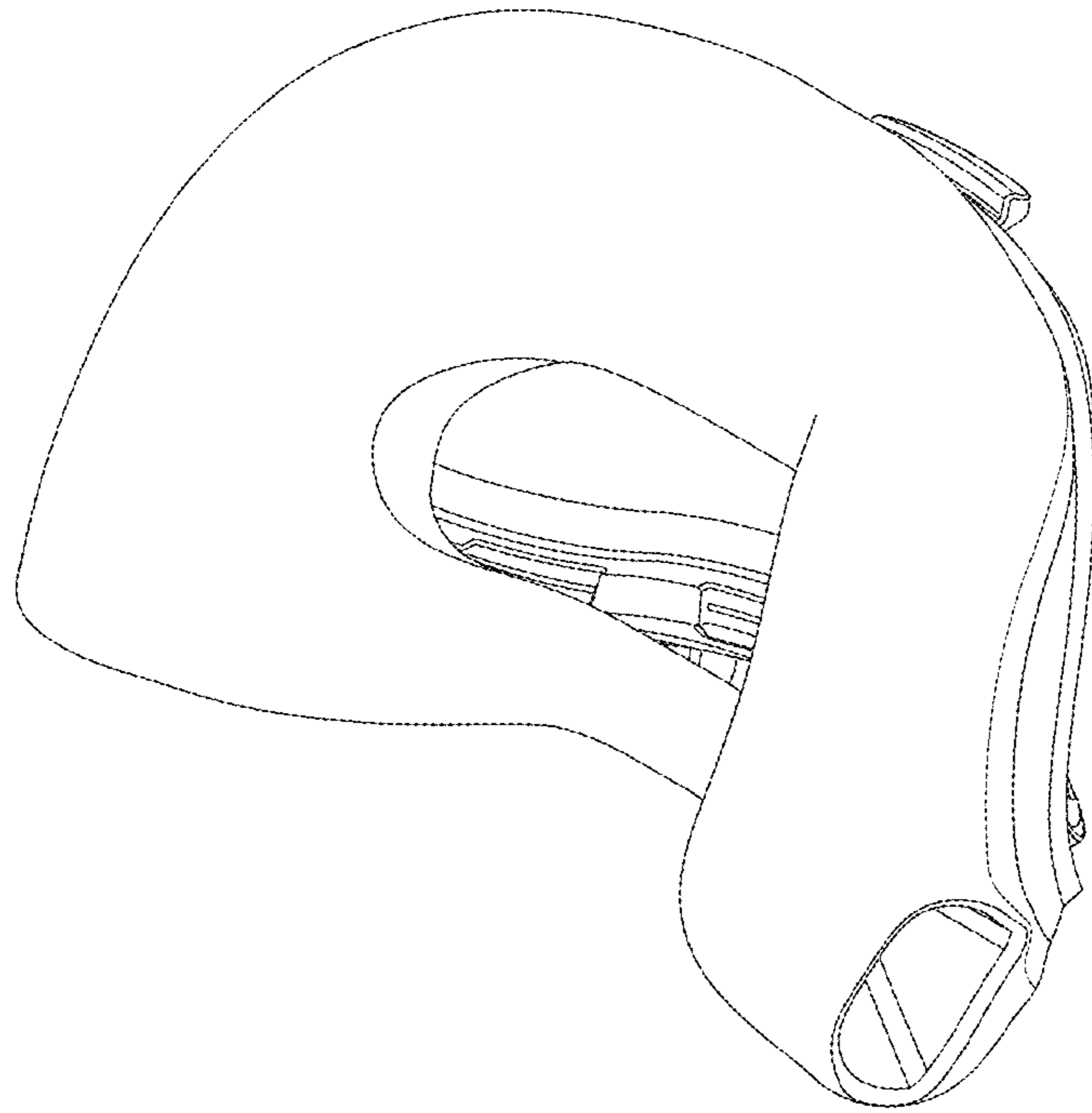


FIG. 11

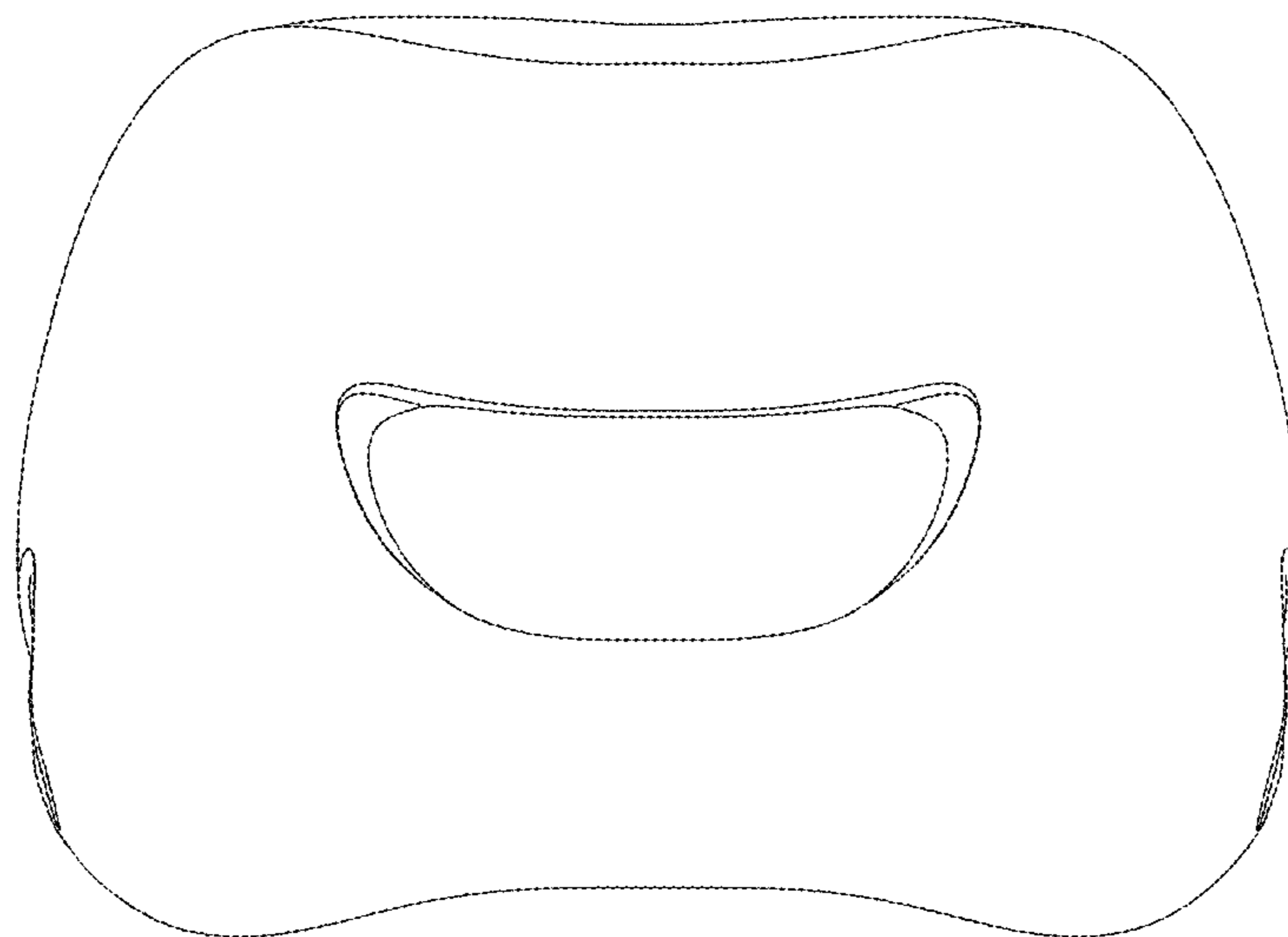


FIG. 12

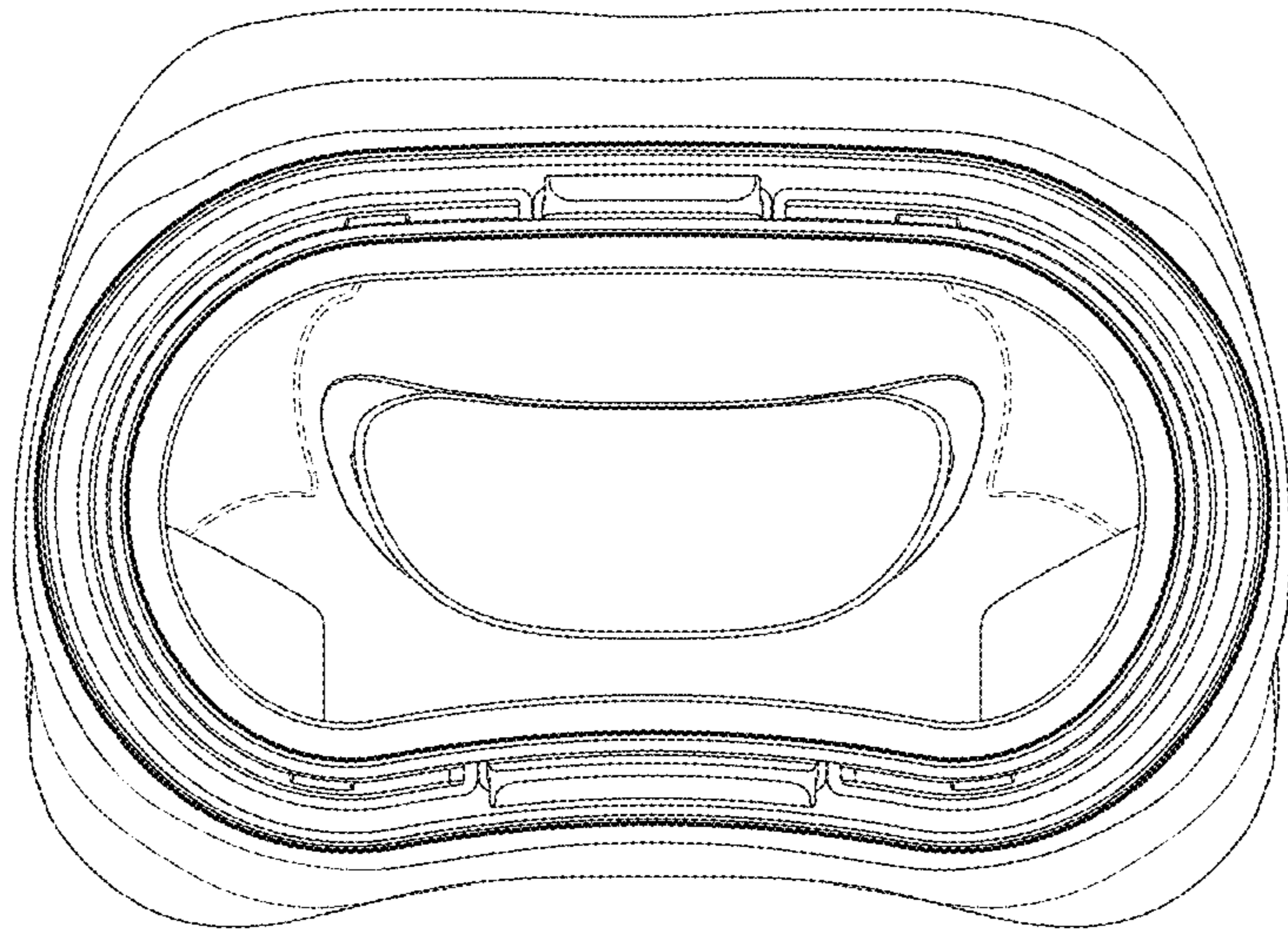


FIG. 13

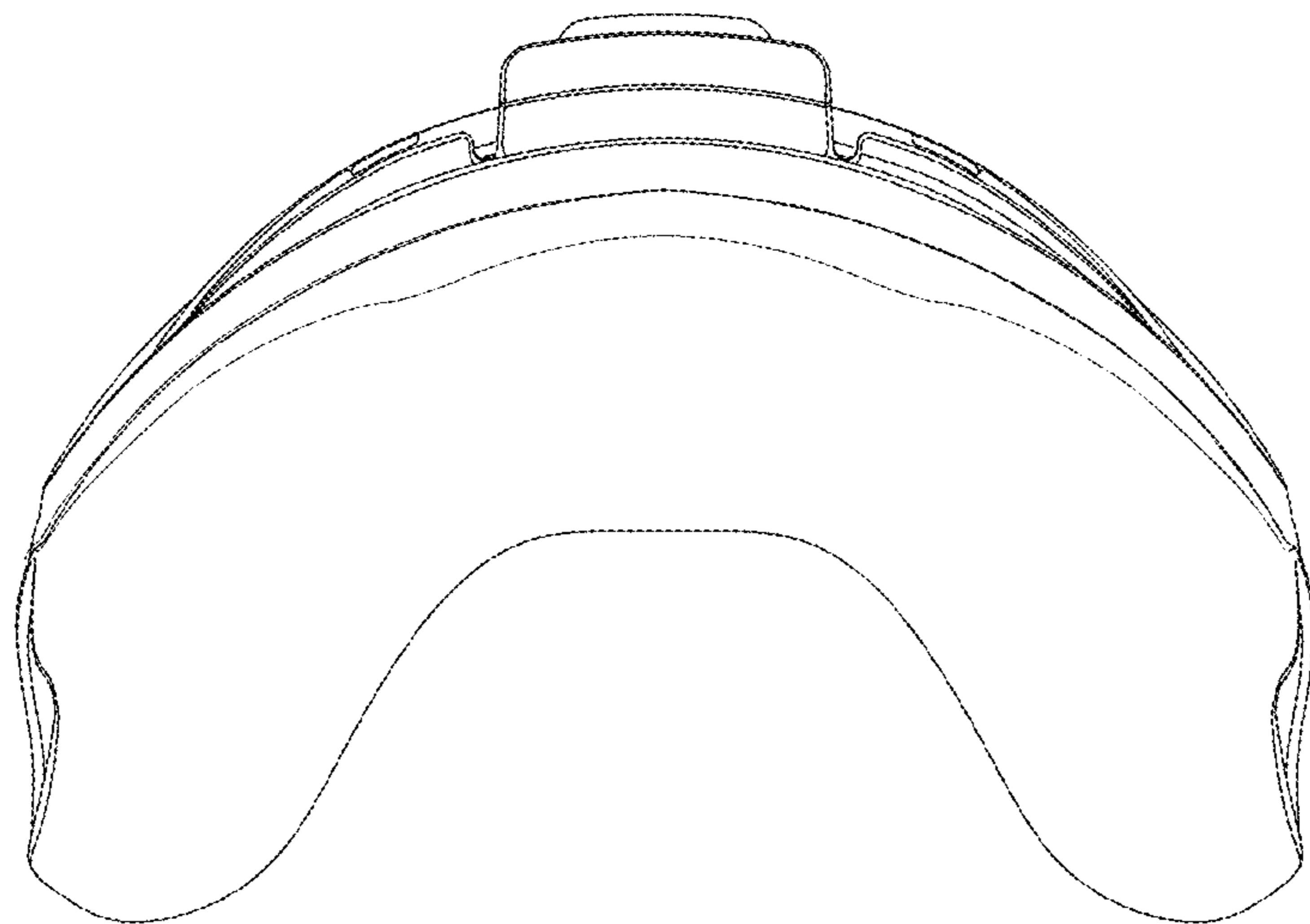


FIG. 14

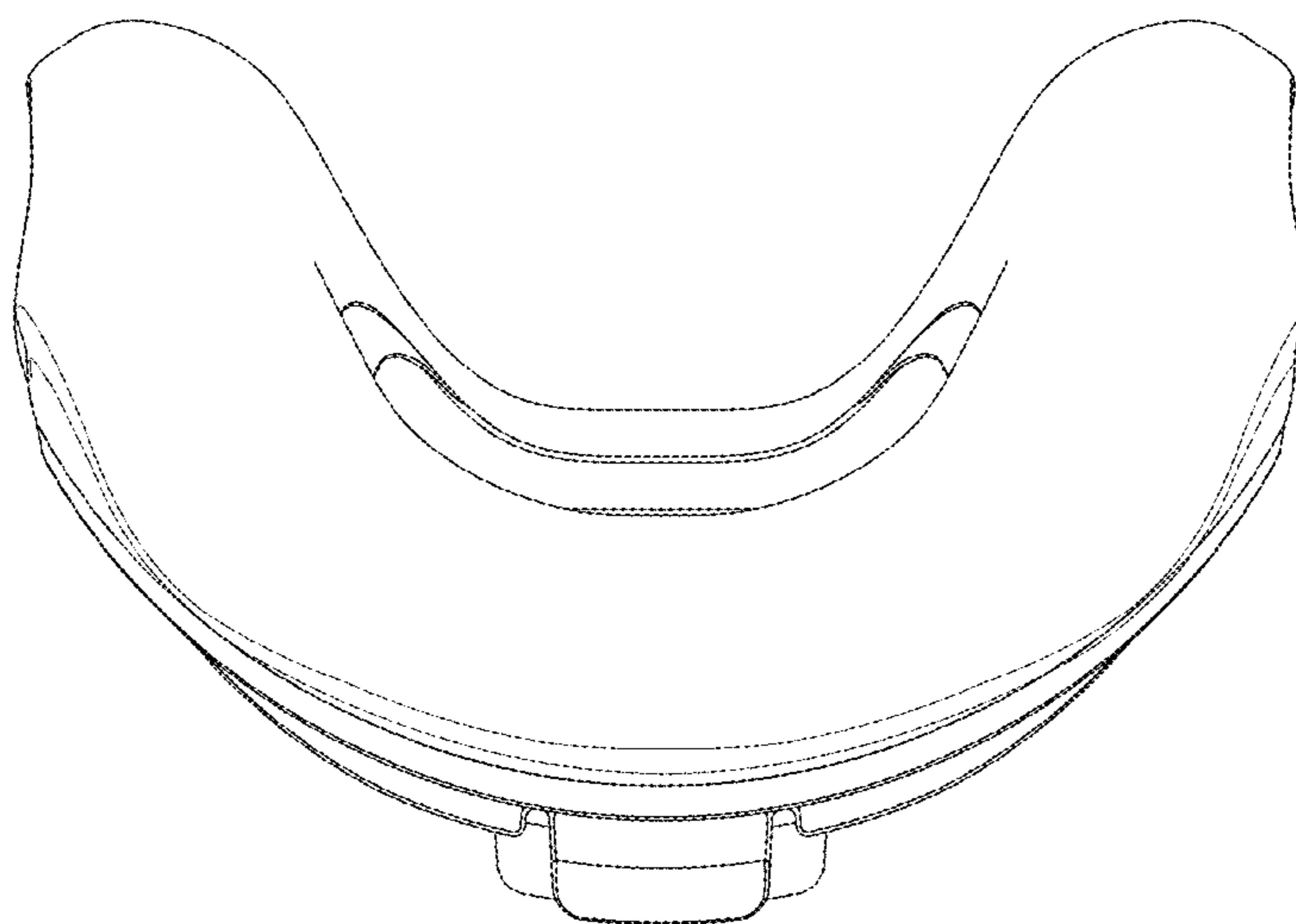


FIG. 15

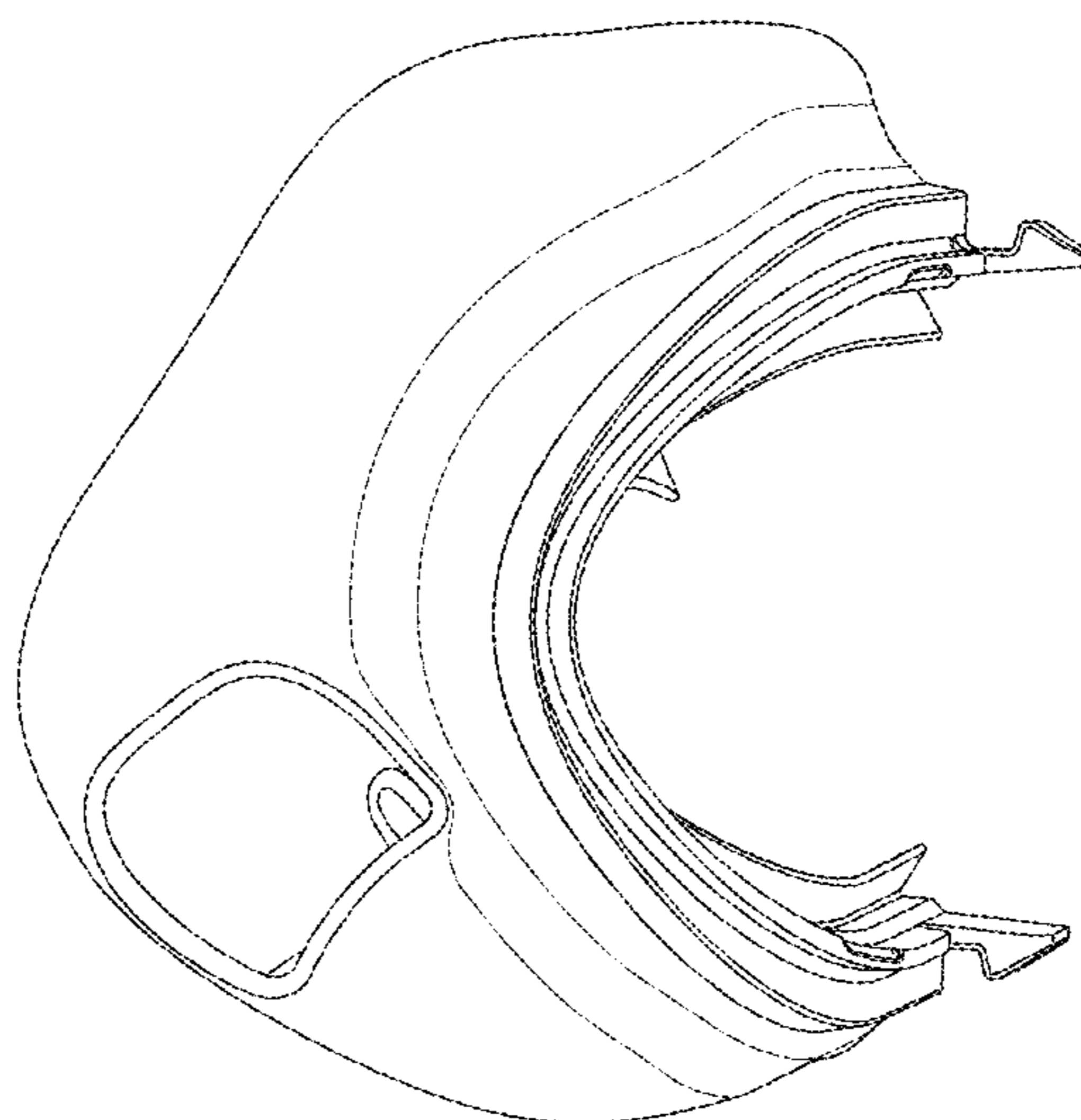


FIG. 16

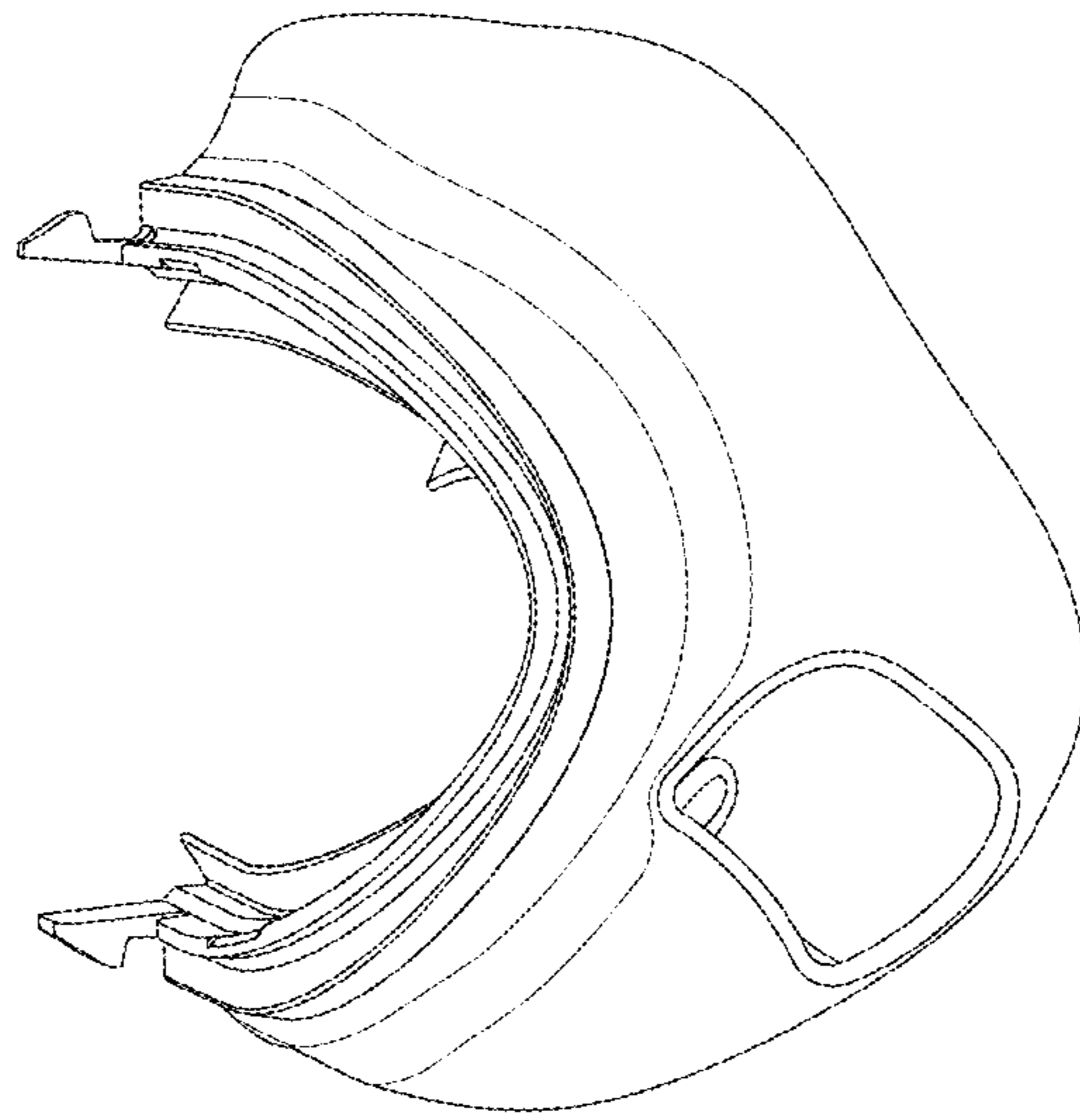


FIG. 17

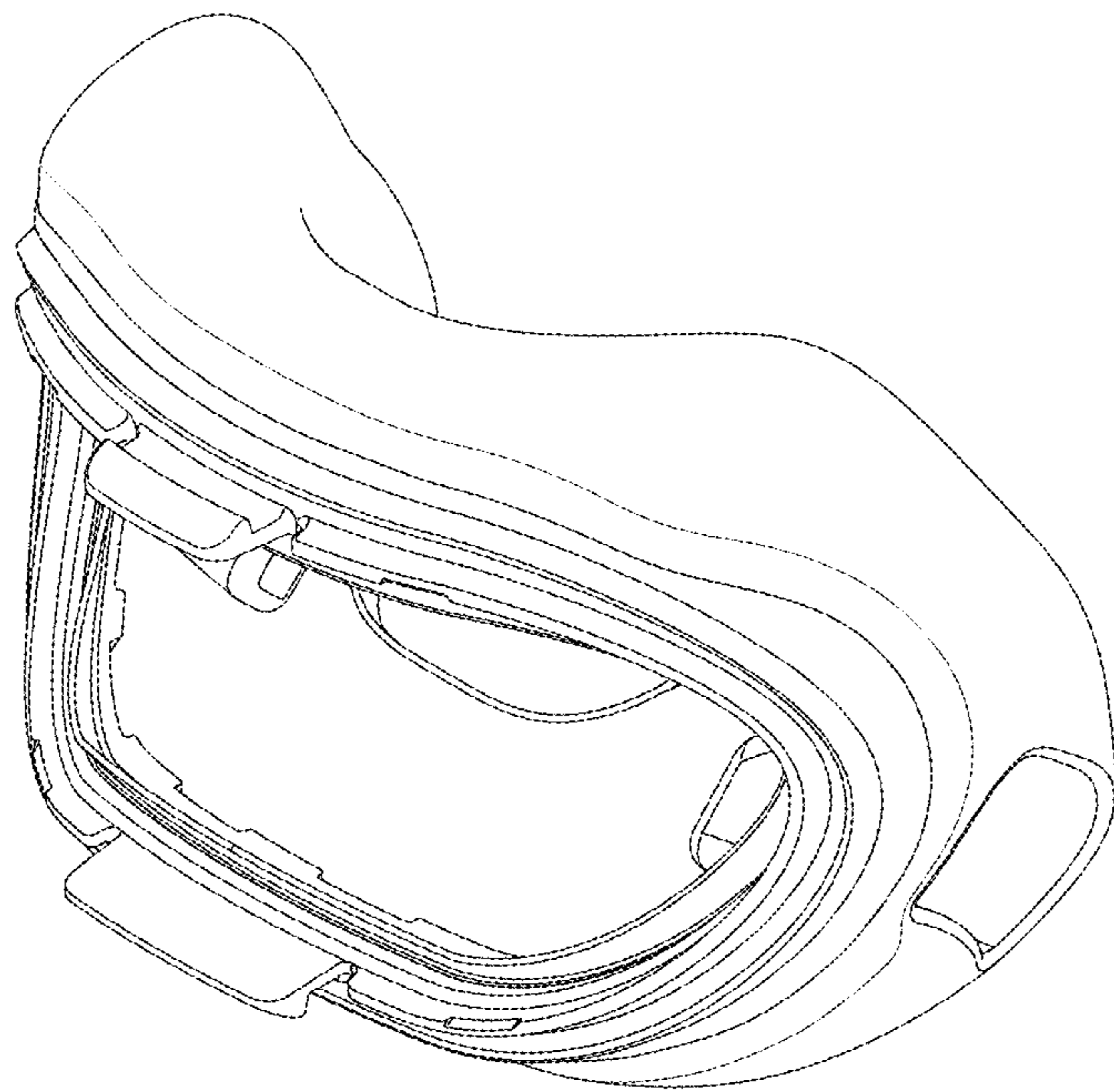


FIG. 18