



US00D771237S

(12) **United States Design Patent** (10) **Patent No.:** **US D771,237 S**
Smutney et al. (45) **Date of Patent:** **** Nov. 8, 2016**

(54) **MOUTHPIECE COVER**
(71) Applicant: **MannKind Corporation**, Valencia, CA (US)
(72) Inventors: **Chad C. Smutney**, Watertown, CT (US); **P. Spencer Kinsey**, Sandy Hook, CT (US)
(73) Assignee: **MannKind Corporation**, Valencia, CA (US)

D660,956 S * 5/2012 Zuyderhoudt D24/110
D663,830 S * 7/2012 Sears D24/110
D711,740 S * 8/2014 Lien D30/132
2007/0175314 A1* 8/2007 Wanne G10D 9/02
84/383 R

(**) Term: **14 Years**

* cited by examiner

(21) Appl. No.: **29/504,212**

Primary Examiner — Barbara Fox
Assistant Examiner — Lilyana Bekic
(74) *Attorney, Agent, or Firm* — K&L Gates LLP; Louis C. Cullman; Brian J. Novak

(22) Filed: **Oct. 2, 2014**

(51) **LOC (10) Cl.** **29-02**

(57) **CLAIM**
The ornamental design for a mouthpiece cover, as shown and described.

(52) **U.S. Cl.**
USPC **D24/110**; D24/127; D24/110.5

DESCRIPTION

(58) **Field of Classification Search**
USPC D24/108, 110, 110.1, 110.4, 110.5, 127, D24/164; D17/13, 99; D9/435, 443, 444
CPC A61M 15/0025; A61M 15/0026; A61M 15/0021; A61M 15/00; G10D 9/02
See application file for complete search history.

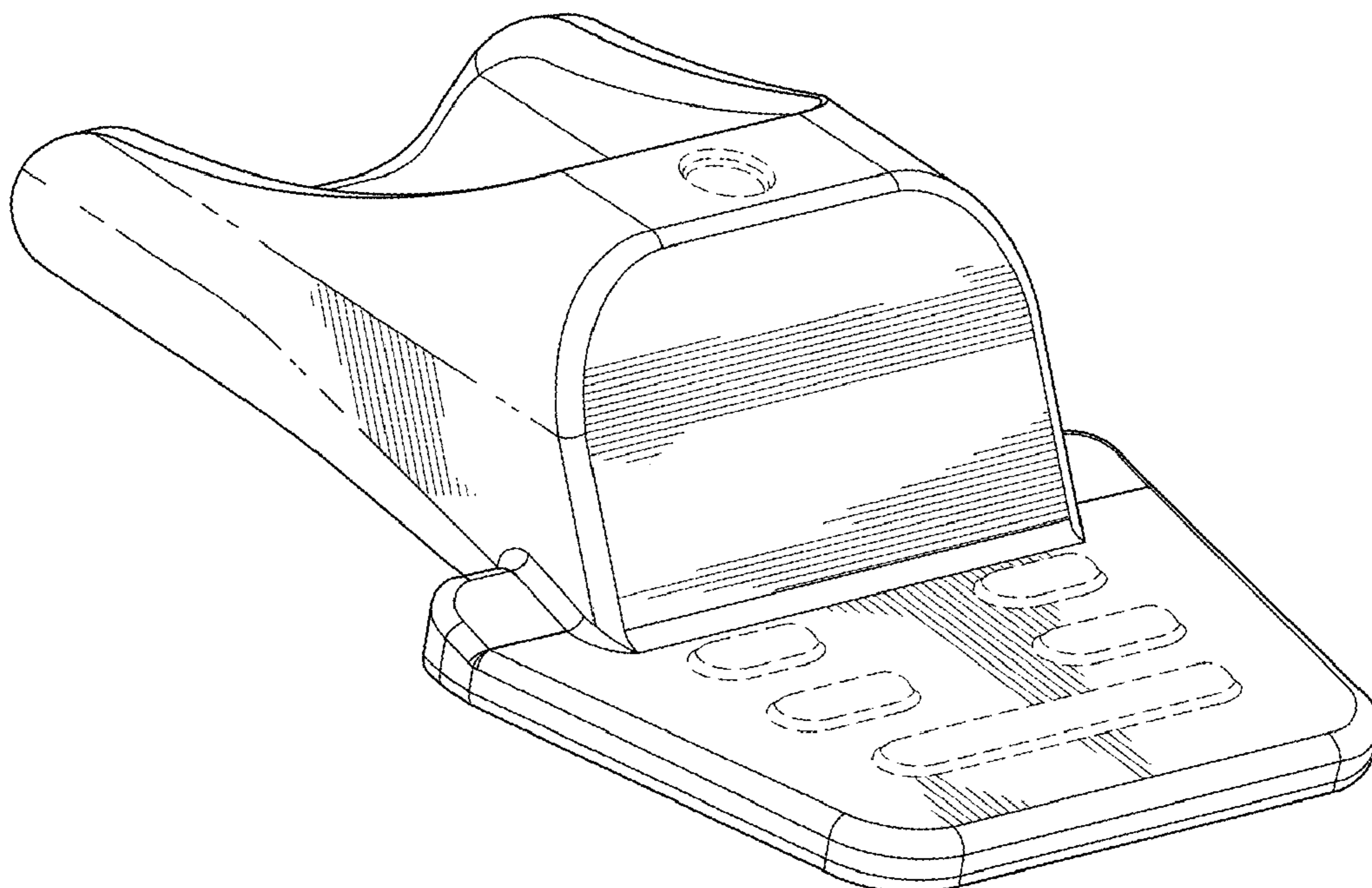
FIG. 1 is a front perspective view of a mouthpiece cover of our design.
FIG. 2 is a bottom perspective view of the mouthpiece cover of FIG. 1.
FIG. 3 is a top view of the mouthpiece cover of FIG. 1.
FIG. 4 is a bottom view of the mouthpiece cover of FIG. 1.
FIG. 5 is a first side view of the mouthpiece cover of FIG. 1.
FIG. 6 is a second side view of the mouthpiece cover of FIG. 1.
FIG. 7 is a rear view of the mouthpiece cover of FIG. 1; and, FIG. 8 is a front view of the mouthpiece cover of FIG. 1.
The broken lines in the drawings illustrate portions of the mouthpiece cover which form no part of the claimed design.

(56) **References Cited**

U.S. PATENT DOCUMENTS

D540,671 S * 4/2007 Born D9/445
D541,151 S * 4/2007 Born D9/445
D566,549 S * 4/2008 Russell D9/445
D626,836 S * 11/2010 Lien D9/443

1 Claim, 3 Drawing Sheets



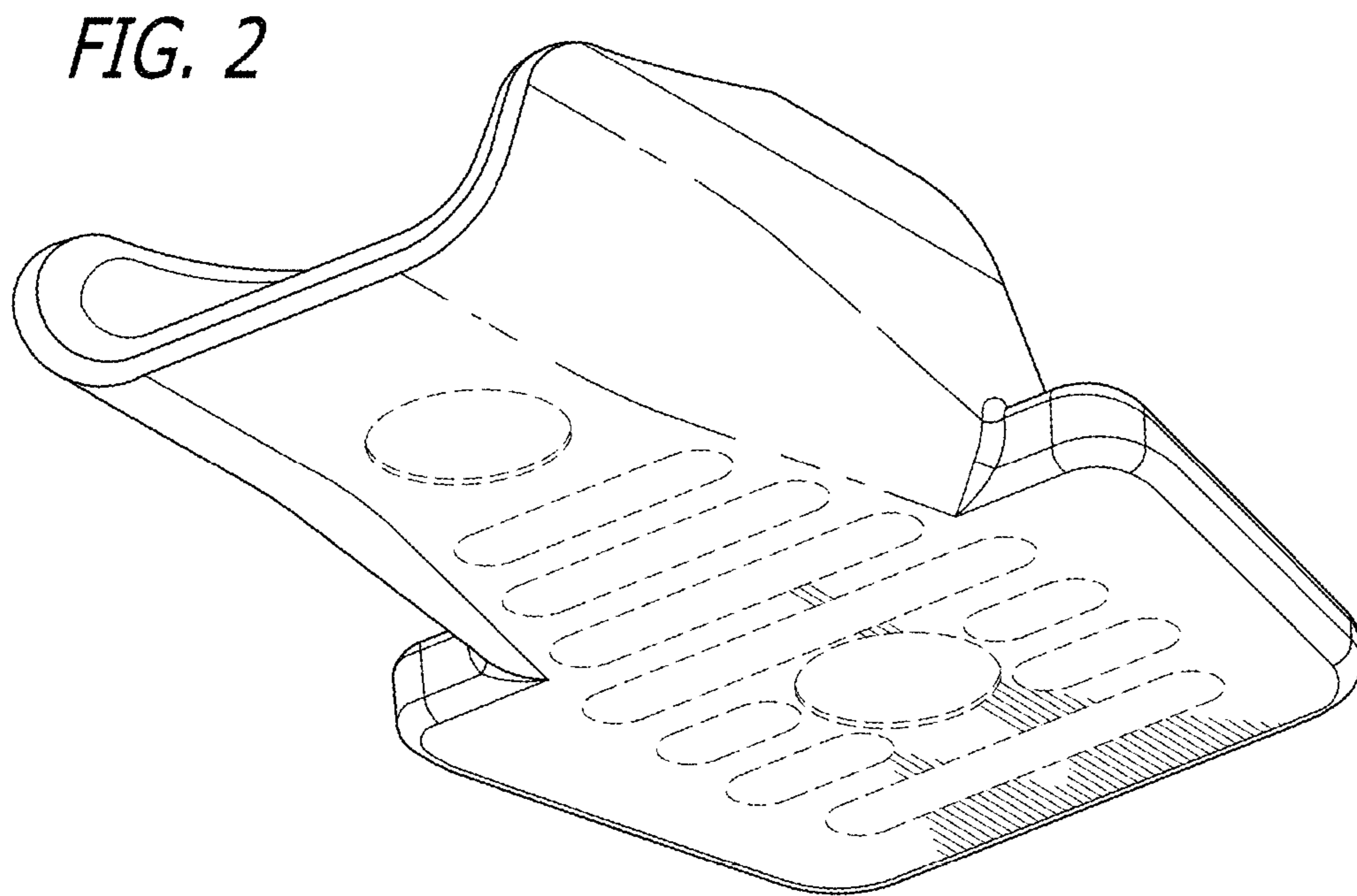
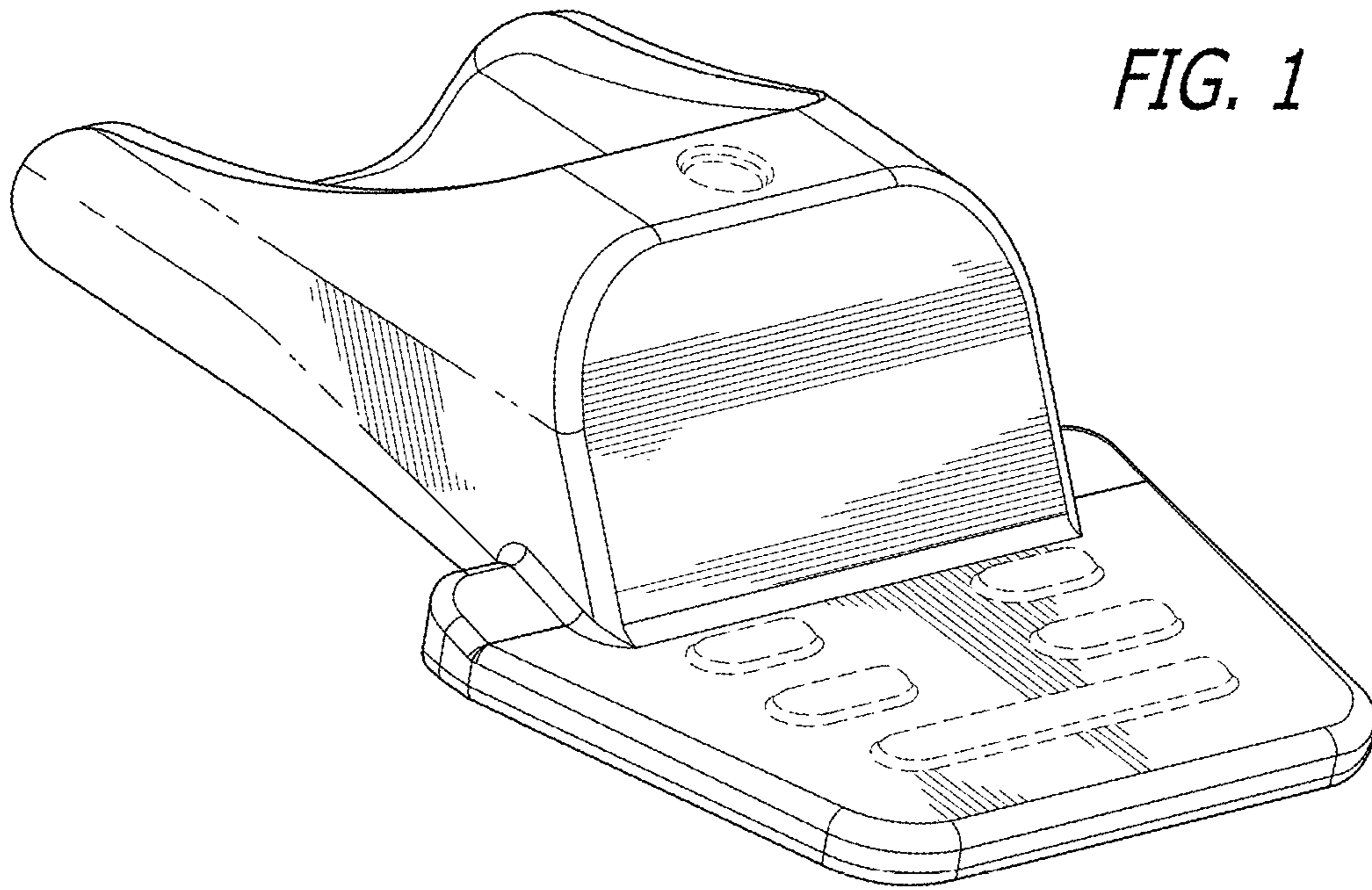


FIG. 3

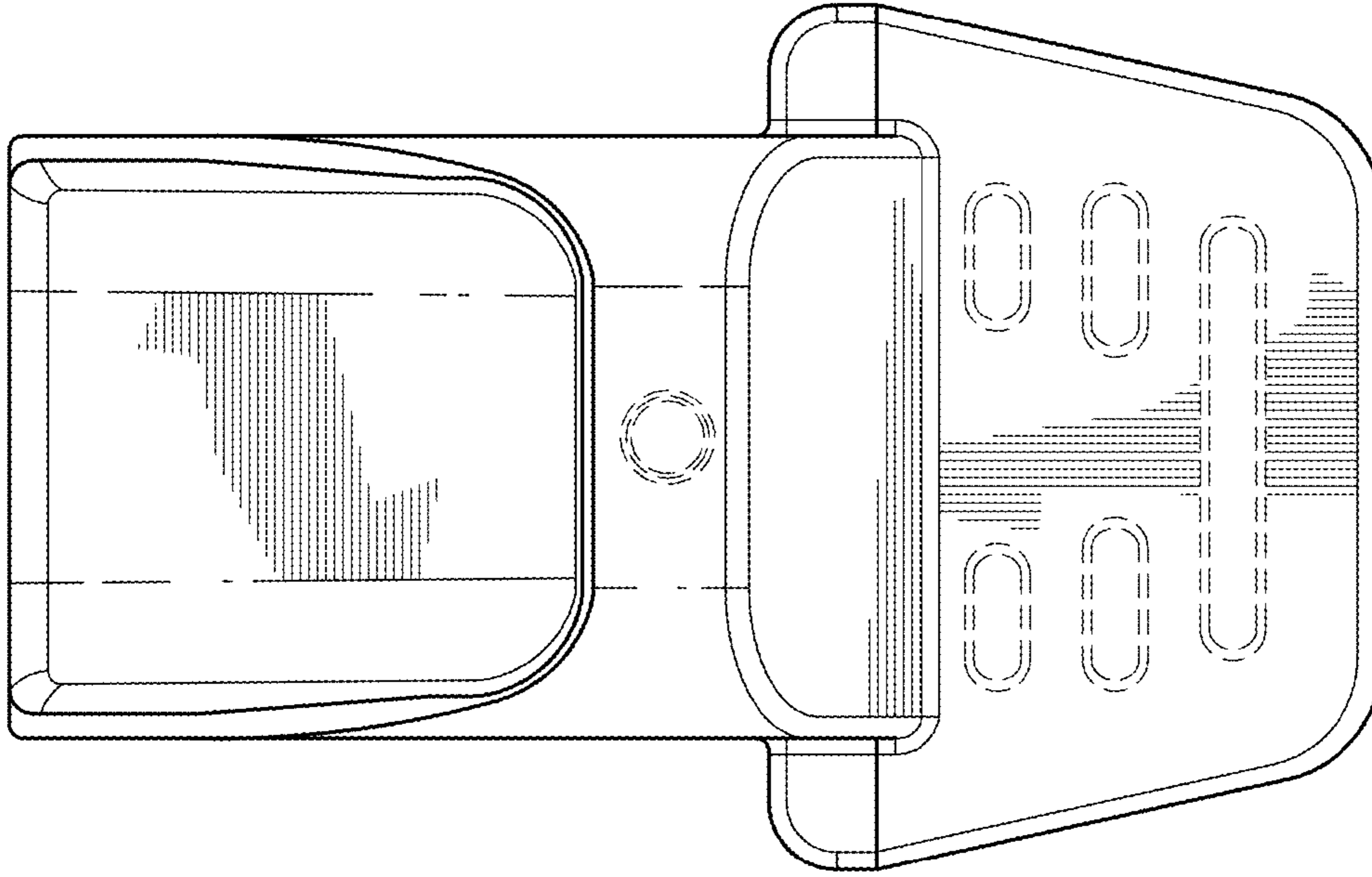


FIG. 4

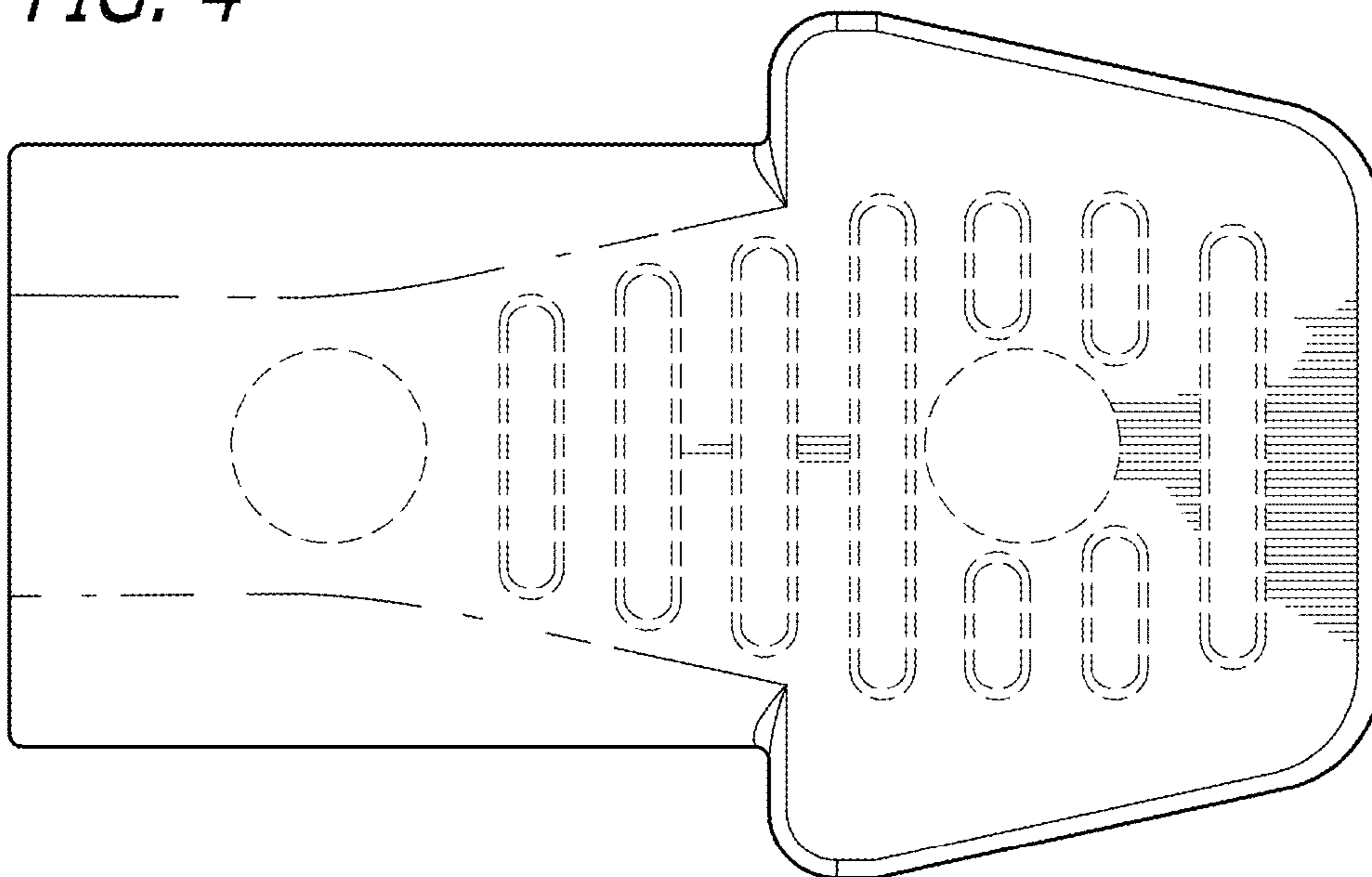


FIG. 5

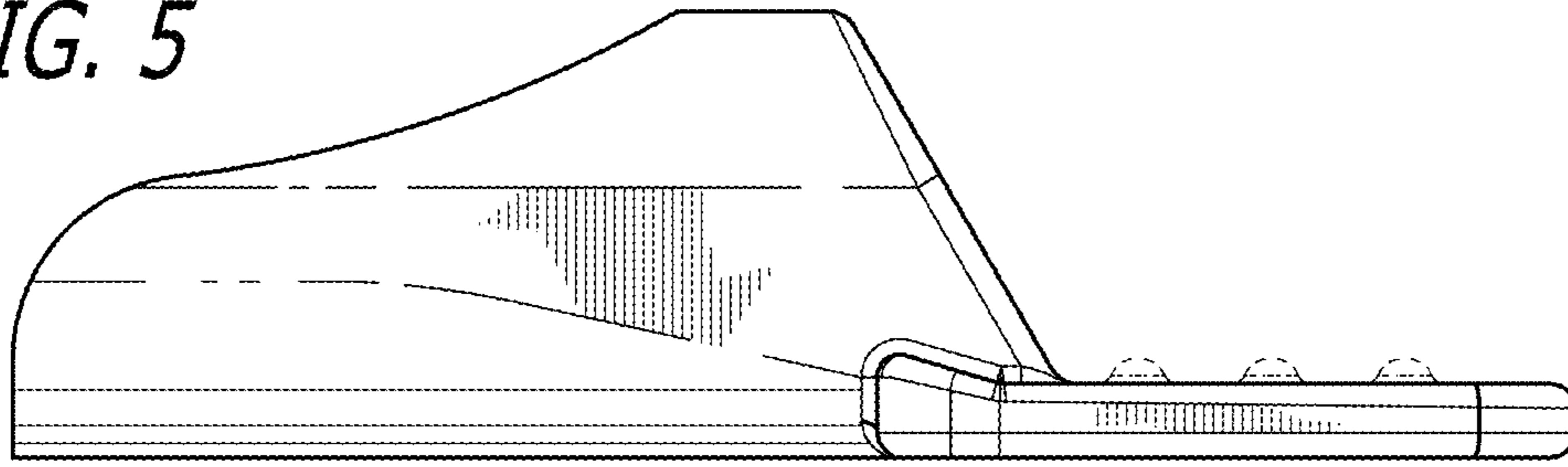


FIG. 6

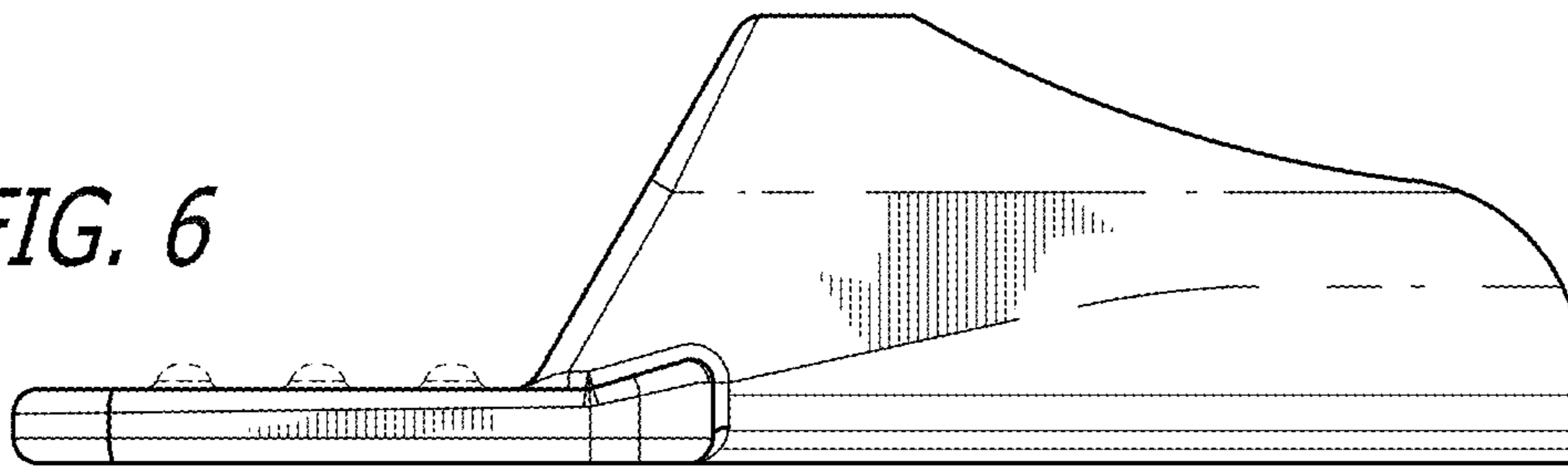


FIG. 7

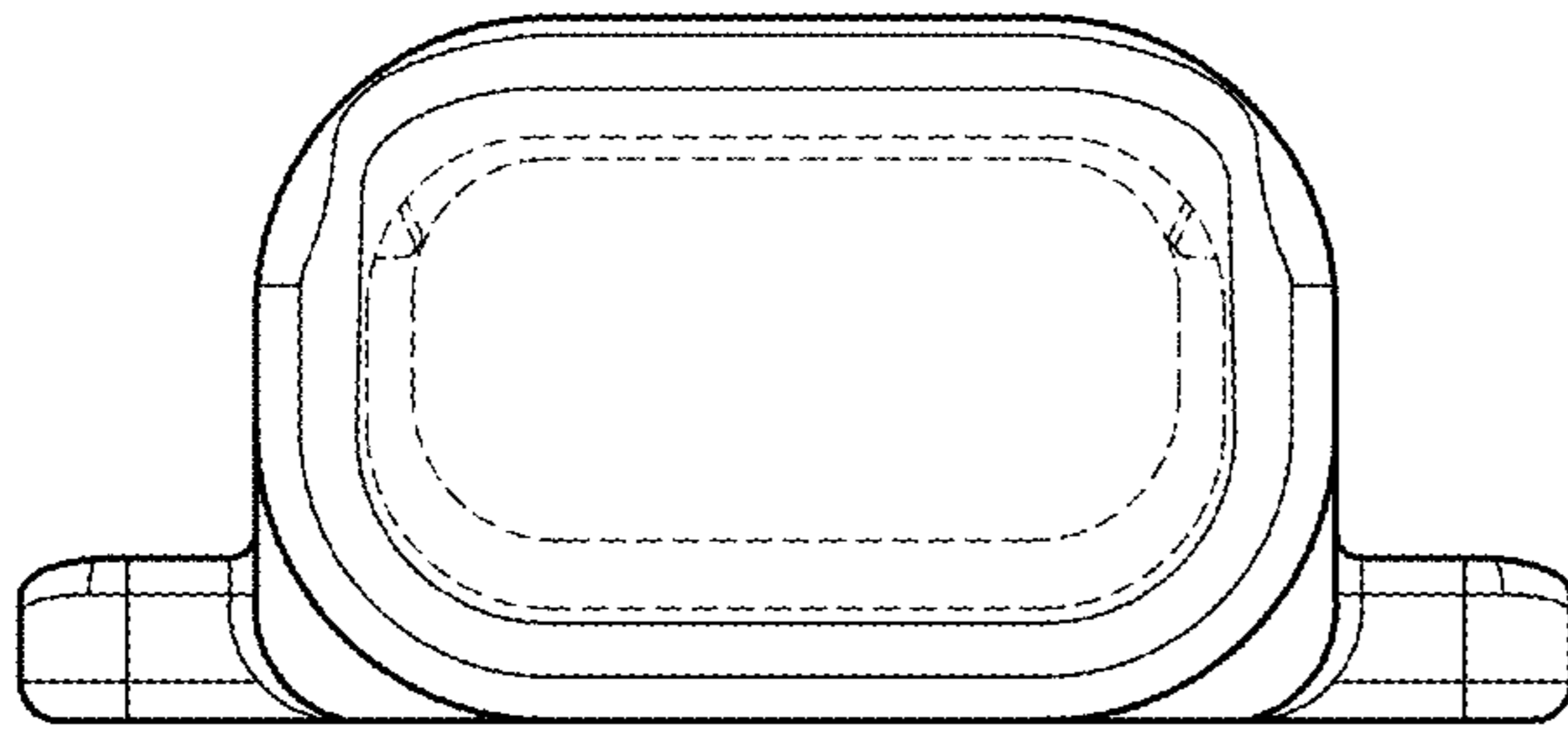


FIG. 8

