



US00D771236S

(12) **United States Design Patent** (10) **Patent No.:** **US D771,236 S**
Becker (45) **Date of Patent:** **** Nov. 8, 2016**

(54) **TABLET** 2,312,381 A * 3/1943 Bickenheuser A61J 3/10
424/44
(71) Applicant: **Johnson & Johnson Consumer Inc.,** 3,279,995 A * 10/1966 Reid A61J 3/10
Skillman, NJ (US) 424/467
(72) Inventor: **Ron Becker, Alma (CA)** D365,911 S * 1/1996 Cassetti D1/106
D377,085 S * 12/1996 Tortarolo D24/101
D377,086 S * 12/1996 Tortarolo
(73) Assignee: **JOHNSON & JOHNSON** D397,507 S * 8/1998 Bern D28/8.1
CONSUMER INC., Skillman, NJ (US) D400,685 S * 11/1998 Stanton D1/114
D447,316 S * 9/2001 Wolff D1/127
D485,962 S * 2/2004 Norton D1/127
D557,797 S * 12/2007 Stawski D24/101

(**) Term: **15 Years**

(21) Appl. No.: **29/548,552**

(22) Filed: **Dec. 15, 2015**

(51) **LOC (10) Cl.** **24-01**

(52) **U.S. Cl.**
USPC **D24/101; D1/114**

(58) **Field of Classification Search**
USPC D24/100-104; D1/100, 106, 114, 130;
D18/24, 29
CPC A61K 9/20; A61K 9/209; A61K 9/2077;
A61K 9/5078; A61K 9/4891; A61K 9/167;
A61K 9/2072; A61K 9/2081; A61K 9/2086;
A61K 8/11; A23K 40/30
See application file for complete search history.

(56) **References Cited**

U.S. PATENT DOCUMENTS

1,243,501 A * 10/1917 Fraser A61K 9/209
424/467
2,106,097 A * 1/1938 Homan A23G 3/50
426/104

* cited by examiner

Primary Examiner — Charles Hanson

(74) *Attorney, Agent, or Firm* — Laura A. Donnelly

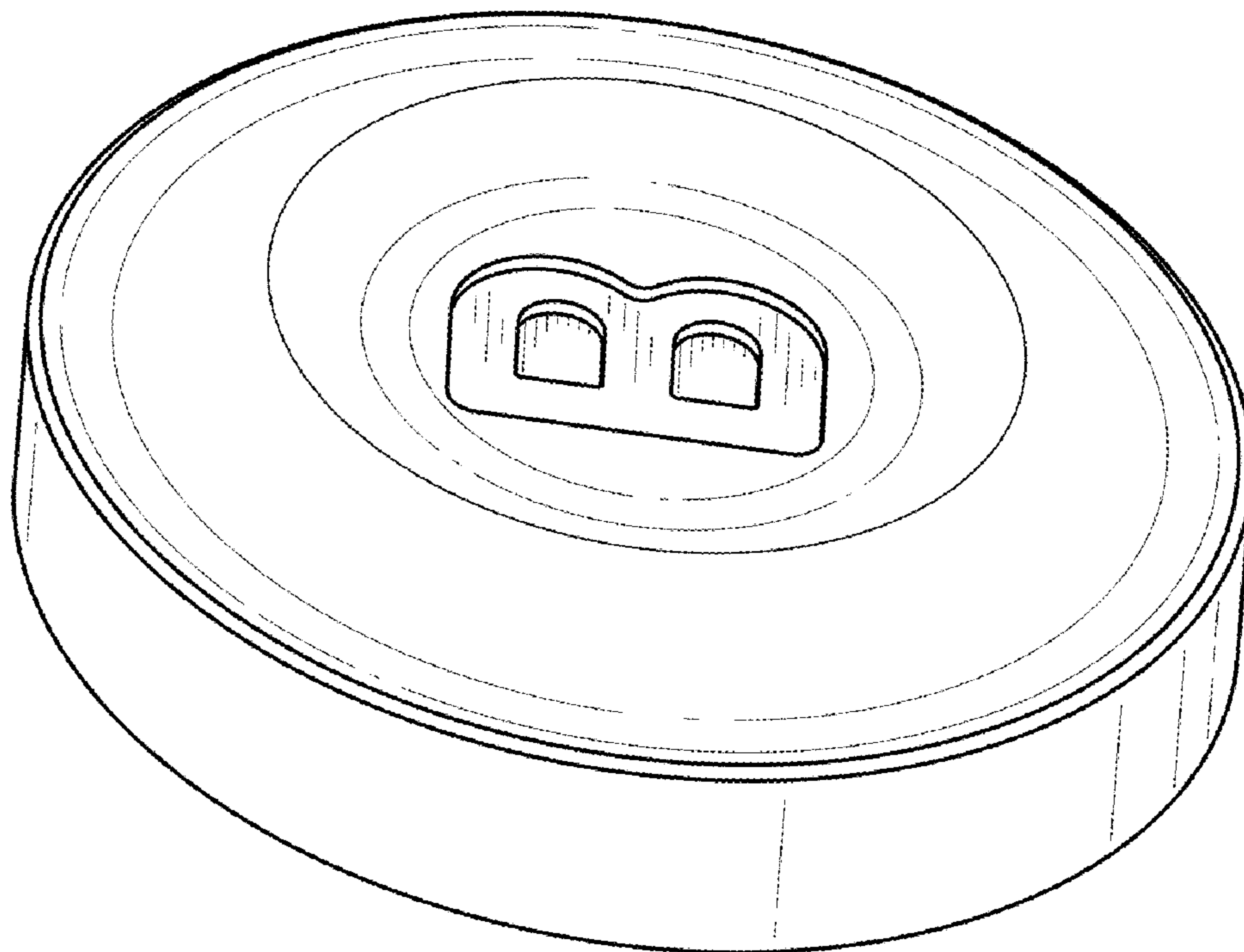
(57) **CLAIM**

I claim the ornamental design for a tablet, as shown and described.

DESCRIPTION

FIG. 1 is a perspective view of a tablet, showing our new design;
FIG. 2 is a side elevational view of FIG. 1; and
FIG. 3 is a top plan view of FIG. 1; and
FIG. 4 is a bottom plan view of FIG. 1; and,
FIG. 5 is a cross sectional view taken along lines 5-5 of FIG. 3.

1 Claim, 3 Drawing Sheets



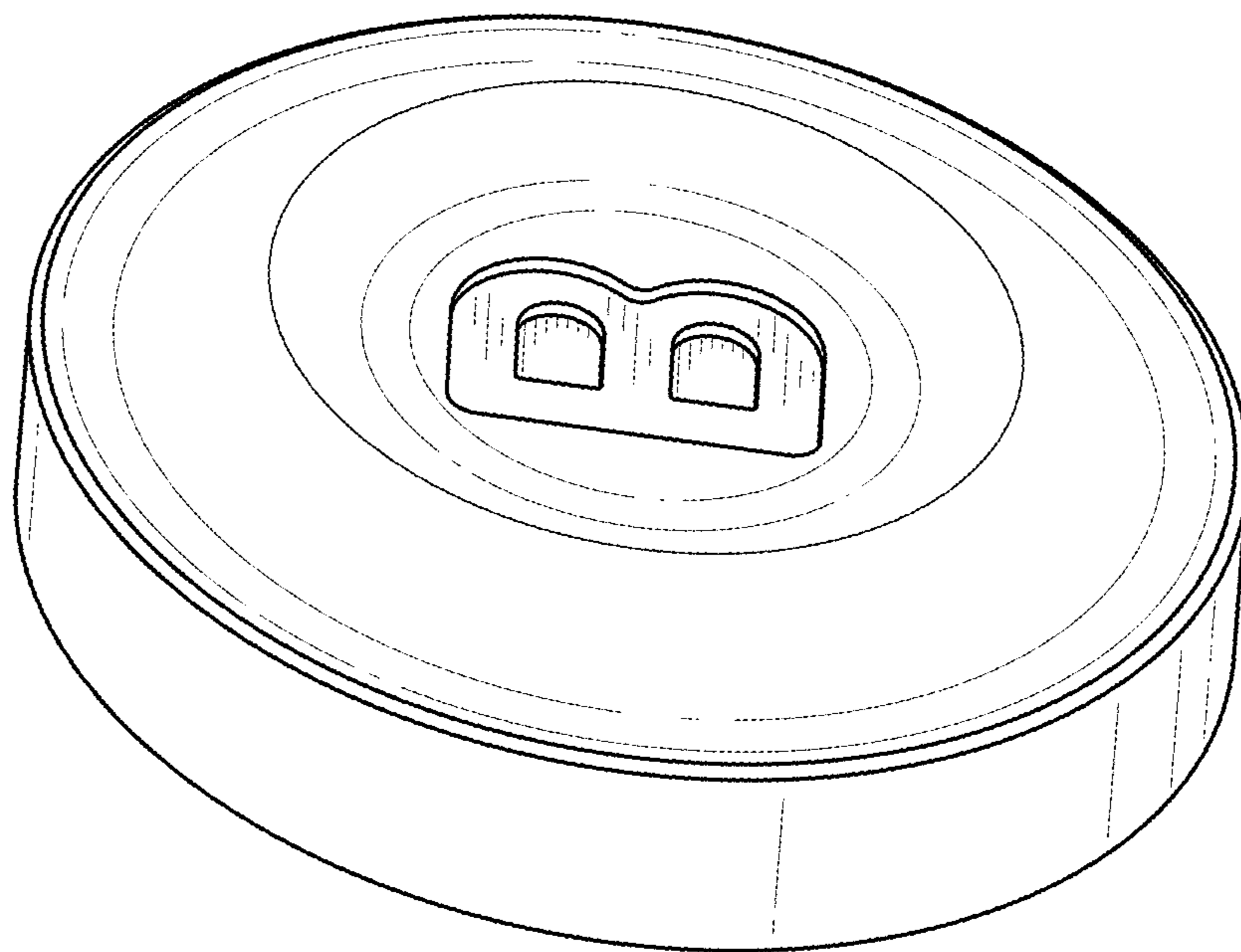


FIG. 1

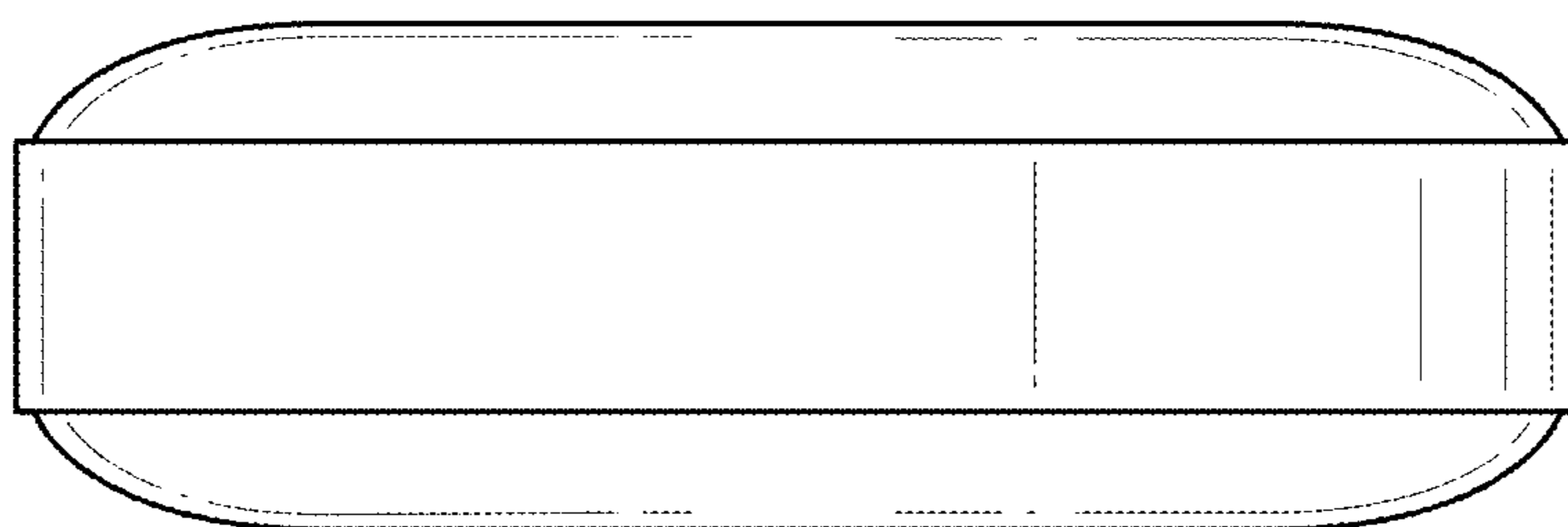


FIG. 2

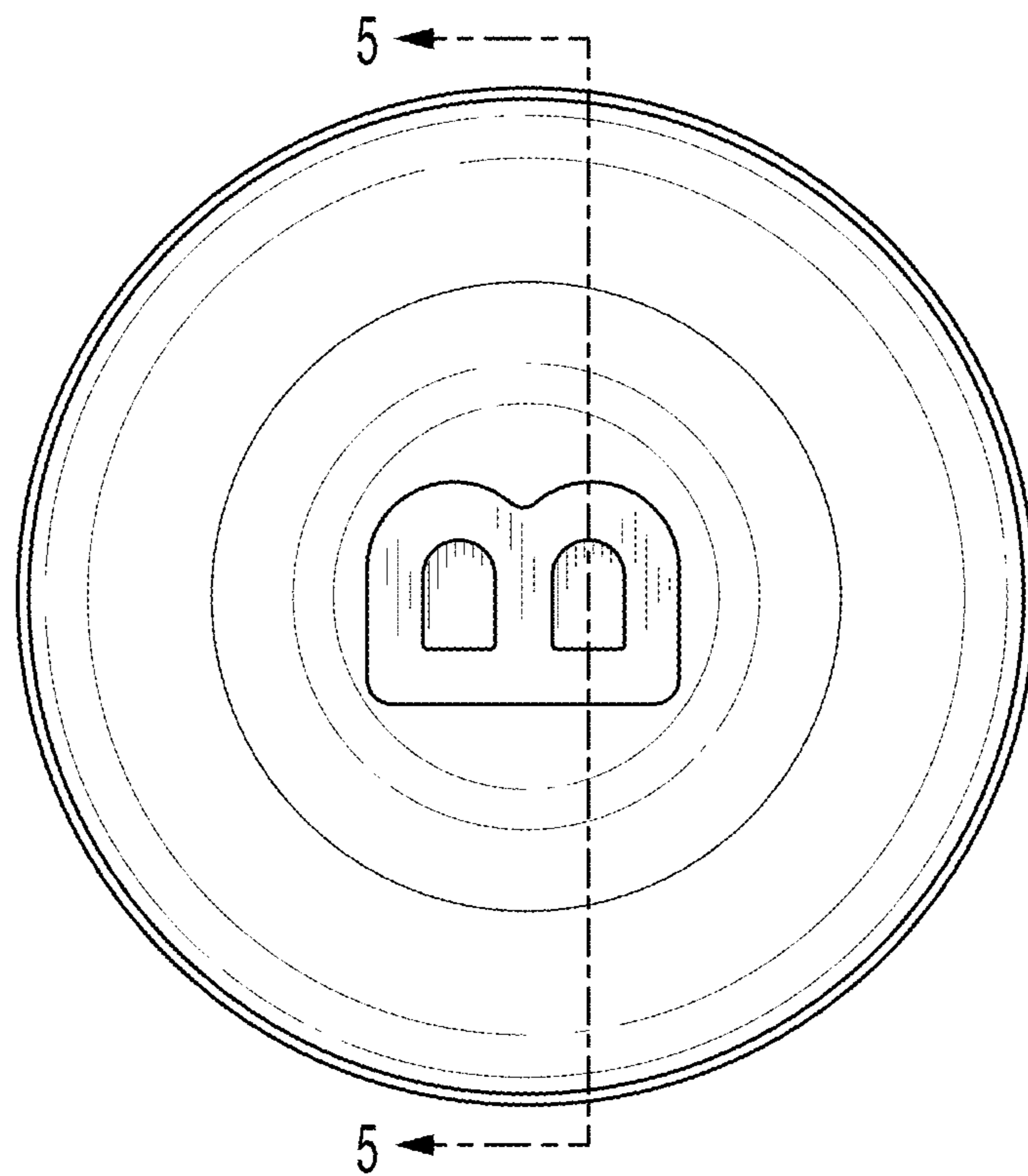


FIG. 3

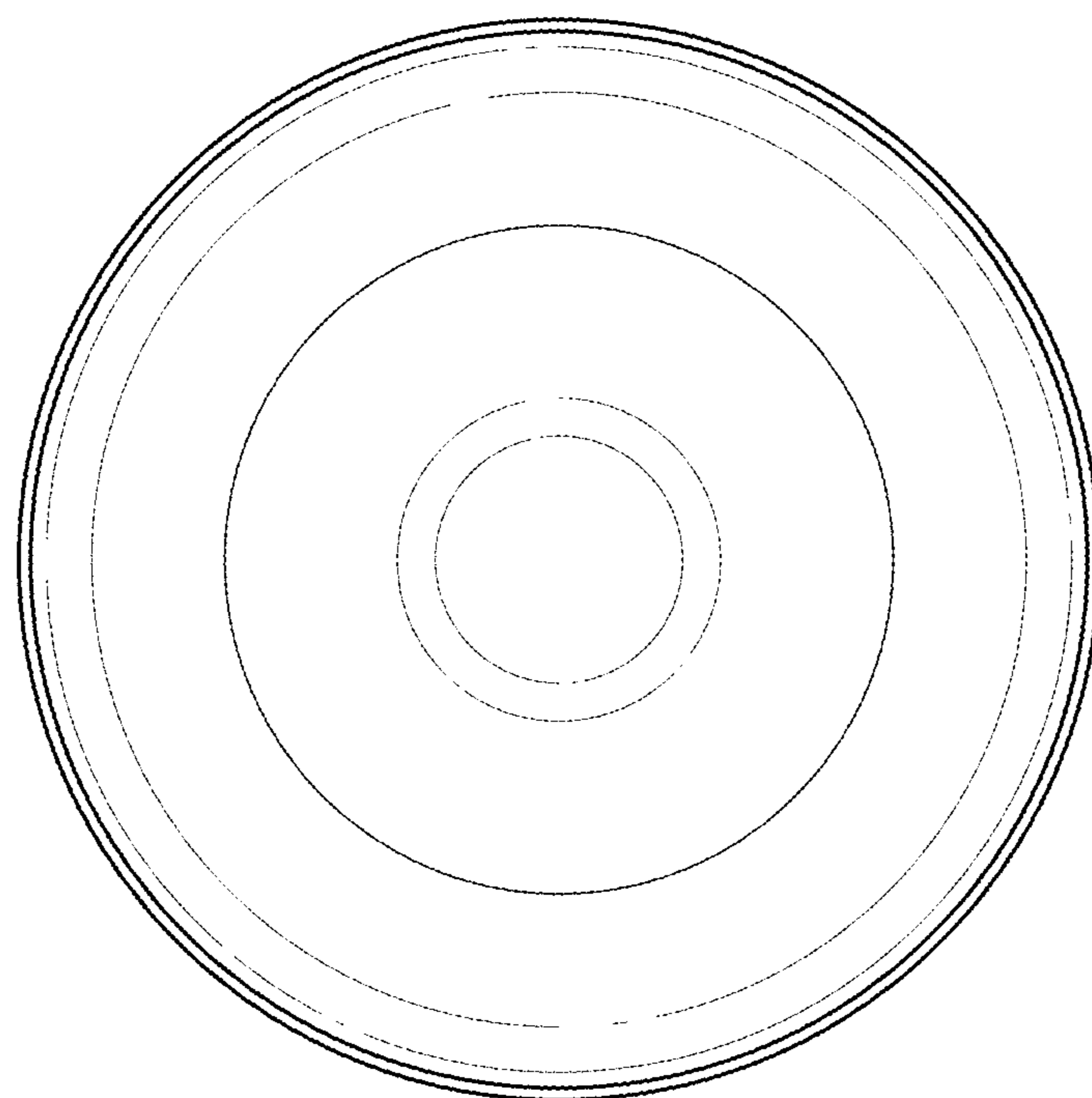


FIG. 4

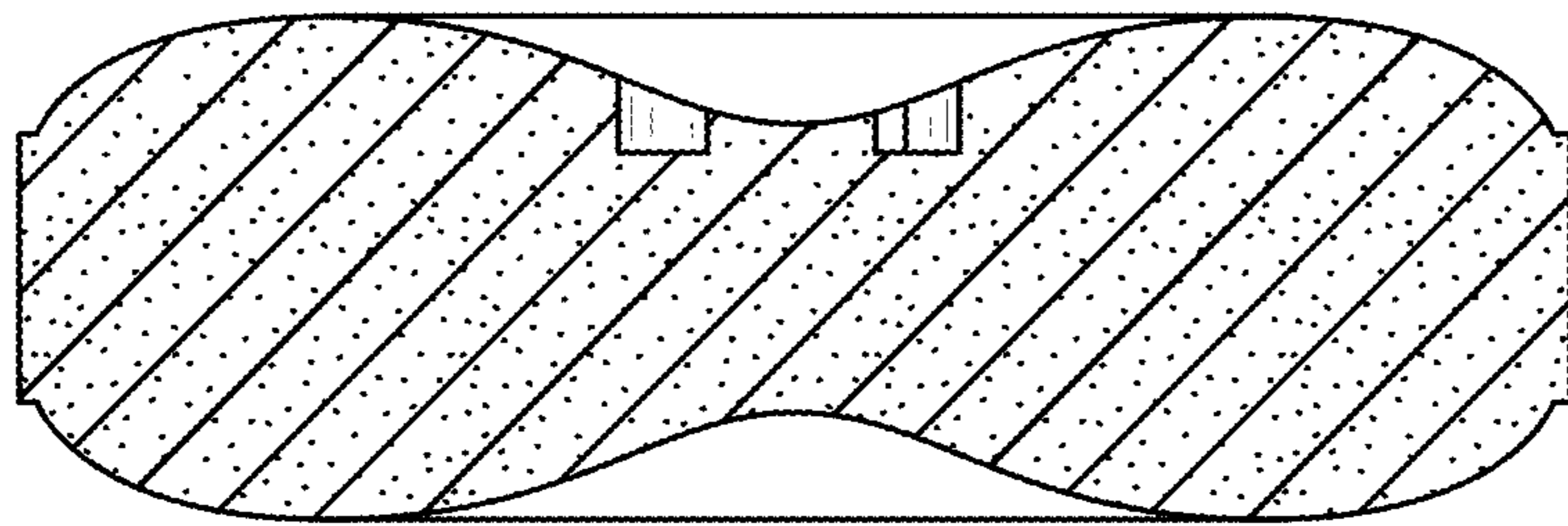


FIG. 5