

US00D771234S

(12) **United States Design Patent** (10) **Patent No.:** **US D771,234 S**
Smith et al. (45) **Date of Patent:** **** Nov. 8, 2016**

(54) **AIR INLET DAMPER** 1,790,454 A * 1/1931 Arrowsmith F24H 1/205
122/18.31

(71) Applicant: **A. O. SMITH CORPORATION,** 1,991,557 A 2/1935 Johnson
Milwaukee, WI (US) 2,080,726 A 5/1937 Lowinger
2,229,388 A 1/1941 Postlewait

(72) Inventors: **Timothy Mitchel Smith,** Blountville, (Continued)
TN (US); **Chad Taylor Thompson,**
Dandridge, TN (US); **George W. Kraus, II,** Johnson City, TN (US)
FOREIGN PATENT DOCUMENTS

(73) Assignee: **A. O. SMITH CORPORATION,** GB 2012042 7/1979
Milwaukee, WI (US) GB 2039358 8/1980
WO 8100609 3/1981

(**) Term: **15 Years** OTHER PUBLICATIONS

(21) Appl. No.: **29/535,579** SPM-F series Air regulation damper, image post date Jan. 14, 2014,
site visited Jun. 11, 2016, (online), <<https://www.tineye.com/search/1d120de9ed460d7685f82916e431107f690f1824/>>.*

(22) Filed: **Aug. 7, 2015** (Continued)

(51) **LOC (10) Cl.** **23-04**

(52) **U.S. Cl.** USPC **D23/393**

(58) **Field of Classification Search**
USPC D13/139.2; D23/323, 328, 333, 335,
D23/336, 337, 341, 352, 357, 370, 385, 386,
D23/388, 392, 397, 399, 400, 406, 411, 412,
D23/413, 499
CPC B65D 7/00; B65D 67/02; F16M 1/00;
F24F 1/027; F24F 13/32; F25D 23/10;
E04F 17/08; F16L 3/26; F16L 9/22; F16K
1/221; F16K 1/443; F16K 31/122; F23L
11/005; F24H 1/205; F24H 9/0026; F24H
9/0031; F24H 9/2035; F23N 205/22; F23N
2035/18; F23N 2035/20

See application file for complete search history.

(56) **References Cited**

U.S. PATENT DOCUMENTS

- 1,173,484 A * 2/1916 Clay F24H 1/205
122/14.31
- 1,198,675 A * 9/1916 Smythe F24H 1/205
122/156
- 1,488,694 A 2/1923 Marks
- 1,720,789 A 7/1929 Heusser

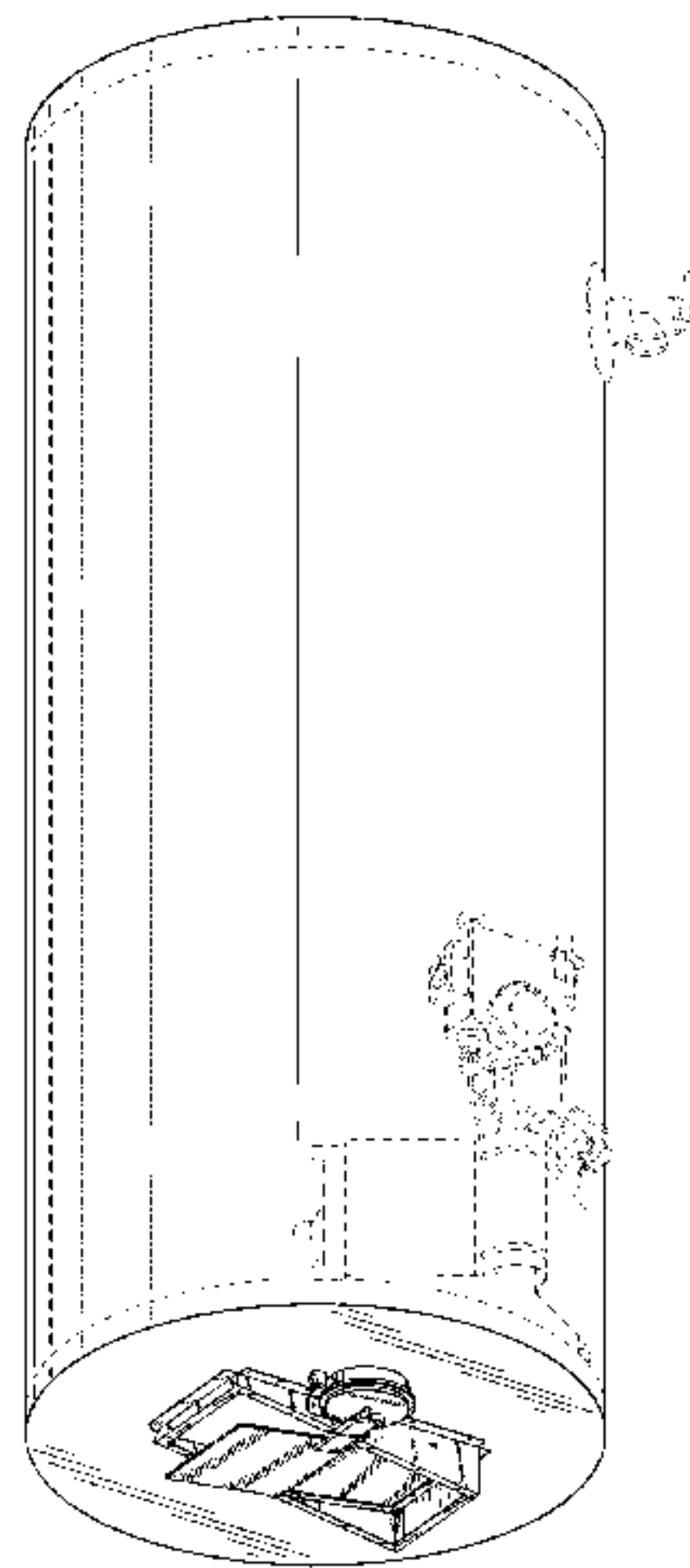
Primary Examiner — Kevin Rudzinski
Assistant Examiner — Sean D Lough
(74) *Attorney, Agent, or Firm* — Michael Best & Friedrich LLP

(57) **CLAIM**
We claim the ornamental design for an air inlet damper, as shown and described.

DESCRIPTION

FIG. 1 is a bottom perspective view of an air inlet damper showing the new design;
FIG. 2 is a right side view thereof;
FIG. 3 is a left side view thereof;
FIG. 4 is a front view thereof;
FIG. 5 is a rear view thereof;
FIG. 6 is a top view thereof; and,
FIG. 7 is a bottom view thereof.
The broken lines present in all FIG. views illustrate portions of the air inlet damper that is environment of the claimed design and forms no part of the claimed design.

1 Claim, 6 Drawing Sheets



(56)

References Cited

U.S. PATENT DOCUMENTS

D132,821 S	6/1942	Leslie		6,293,862 B1	9/2001	Jafine et al.	
2,364,791 A *	12/1944	Horne	F24H 1/205 122/17.2	D451,214 S	11/2001	Gollob et al.	
2,628,551 A	2/1953	Leigh		6,481,361 B1	11/2002	Schindler et al.	
2,834,622 A *	5/1958	Reeves	F16L 3/26 248/68.1	6,514,135 B1	2/2003	Kelly	
3,093,059 A	6/1963	Metz		6,523,575 B1 *	2/2003	Mrsny	B21C 37/296 138/109
3,733,812 A *	5/1973	Lawrence	B66D 1/26 254/315	D478,977 S	8/2003	Snyder	
3,835,986 A	9/1974	Le Beau		D482,813 S	11/2003	Waldmann	
D245,620 S	8/1977	Berry		D490,506 S *	5/2004	Snyder	D23/386
4,046,318 A *	9/1977	Ripley	F23L 11/005 110/163	D490,553 S	5/2004	Waldmann	
4,076,171 A	2/1978	Swenson		6,854,428 B1	2/2005	Hotton et al.	
4,182,483 A	1/1980	Swenson		D505,195 S *	5/2005	Snyder	D23/393
4,234,012 A *	11/1980	Schupback	E02F 3/384 137/355.17	7,004,832 B2	2/2006	Thomas	
4,261,824 A	4/1981	Cuschera		D517,006 S *	3/2006	Bessmertny	D13/102
4,266,929 A	5/1981	Swenson		7,013,841 B1 *	3/2006	Boros	F24H 9/1836 122/14.1
4,297,818 A	11/1981	Anderson		7,032,543 B1	4/2006	Akkala et al.	
4,368,663 A *	1/1983	Tabacco	F23J 13/08 126/286	7,055,465 B1 *	6/2006	Huang	F24H 9/2035 122/4 D
4,396,371 A	8/1983	Lorenz et al.		D528,644 S	9/2006	Schwamkrug	
4,479,733 A	10/1984	Segal		D534,450 S	1/2007	Müller	
D277,027 S	1/1985	Waltz et al.		D535,009 S	1/2007	Sinur et al.	
D277,028 S	1/1985	Waltz et al.		D536,778 S	2/2007	O'Hagin	
4,509,913 A	4/1985	Lorenz et al.		D537,570 S	2/2007	Sanders	
4,592,269 A	6/1986	Lamparter		D549,316 S	8/2007	O'Hagin	
D285,546 S	9/1986	Hayslette		D556,314 S *	11/2007	Daniels, II	D23/393
4,615,263 A	10/1986	Titterud		D569,491 S	5/2008	DeForte	
D296,584 S *	7/1988	Hilton	D23/370	D571,450 S *	6/2008	Brown	D23/387
4,790,289 A *	12/1988	Barrett	F24H 1/18 122/17.1	D576,264 S	9/2008	Grobleben	
D300,655 S *	4/1989	Buehler	D23/403	D587,797 S	3/2009	Blanchard	
4,817,564 A	4/1989	Akkala et al.		7,508,103 B2 *	3/2009	Watkins	H02K 5/225 310/71
4,819,689 A	4/1989	Owsley et al.		7,513,221 B2	4/2009	Akkala et al.	
4,875,465 A *	10/1989	Kramer	F23C 3/004 122/149	D597,239 S *	7/2009	Hodgson	D26/65
4,878,482 A *	11/1989	Pfeffer	F24H 1/182 122/19.2	D598,959 S	8/2009	Kiddoo	
4,879,801 A *	11/1989	Stubbe	F24H 1/183 122/13.01	7,651,390 B1	1/2010	Profeta et al.	
4,907,569 A *	3/1990	Lemense	F24H 1/182 122/19.1	D612,040 S	3/2010	Daniels	
4,909,385 A	3/1990	Blymiller		D618,332 S *	6/2010	Kimura	D23/388
D321,743 S *	11/1991	Logue	D23/388	D618,780 S *	6/2010	Williams, Sr.	D23/373
D327,317 S *	6/1992	Courchesne	D23/385	D624,639 S	9/2010	Dilorenzo	
D332,139 S	12/1992	Courchesne		D625,800 S *	10/2010	Daniels	D23/373
D333,830 S *	3/1993	Lampe	D18/1	D628,718 S	12/2010	Grubka et al.	
D335,123 S	4/1993	Smiley		D629,093 S	12/2010	Polston	
5,487,219 A *	1/1996	Ruehl	B21D 39/031 29/465	D629,882 S	12/2010	Nguyen	
5,501,634 A	3/1996	Wilder		D631,431 S *	1/2011	DeFelice	D13/102
5,503,181 A	4/1996	Kennedy		D634,419 S *	3/2011	Lambertson	D23/393
5,531,214 A *	7/1996	Cheek	F23N 5/24 122/14.1	D641,462 S *	7/2011	Rafi	D23/365
5,591,080 A	1/1997	Ward		8,001,643 B1 *	8/2011	James	F16L 3/23 14/69.5
D378,578 S	3/1997	Eberhardt		D652,498 S *	1/2012	Rafi	D23/365
D381,412 S	7/1997	Rimback		D653,745 S *	2/2012	Gregg	D23/386
5,662,522 A	9/1997	Waltz		8,113,823 B2	2/2012	Guzorek	
5,672,101 A	9/1997	Thomas		D656,601 S *	3/2012	Roderique	D23/386
D393,707 S	4/1998	Kelly		D659,460 S	5/2012	Boone	
5,735,086 A	4/1998	Fordahl		8,196,552 B2	6/2012	Whitford et al.	
5,756,933 A	5/1998	Pitchford et al.		8,205,401 B2	6/2012	Ward	
D394,901 S	6/1998	Governale et al.		D662,870 S	7/2012	Russ	
5,792,230 A *	8/1998	Moore	B01D 46/0004 454/290	D665,210 S	8/2012	Hughes	
5,947,815 A	9/1999	Danforth		D666,285 S	8/2012	Schrad et al.	
6,041,771 A	3/2000	Hayes		D666,707 S	9/2012	Eikhoff et al.	
D425,612 S *	5/2000	Andersen	D23/263	RE43,717 E	10/2012	DeForte et al.	
6,118,108 A *	9/2000	Ufford	B29C 65/18 156/294	D672,450 S *	12/2012	Milks	D23/387
6,155,008 A	12/2000	McKee		D680,253 S *	4/2013	Herberholt	D26/60
D436,163 S *	1/2001	Peterson	D23/393	D688,289 S	8/2013	Hodgson	
D442,273 S *	5/2001	Pestell	D23/393	D690,065 S *	9/2013	Schoenster	D32/25
				D690,457 S	9/2013	Lu	
				D693,493 S	11/2013	Kim	
				8,607,719 B1	12/2013	Kuzni	
				D698,962 S	2/2014	Waldmann	
				D701,095 S *	3/2014	Arvan	D7/698
				D702,817 S	4/2014	Ryu	
				D703,305 S	4/2014	Stollenwerk O'Hagin	
				D703,307 S *	4/2014	Little	D23/393
				D704,815 S	5/2014	Butler et al.	
				D704,816 S	5/2014	Butler et al.	
				D704,817 S *	5/2014	Butler	D23/373
				D705,420 S *	5/2014	Eichelberg	D23/387
				D708,779 S	7/2014	Cha et al.	

(56)

References Cited

U.S. PATENT DOCUMENTS

8,794,228 B2 * 8/2014 Richter F23J 13/04
126/300
D714,928 S 10/2014 Urano
D720,437 S * 12/2014 Togawa D23/261
D724,715 S * 3/2015 Isshiki D23/351
D727,486 S 4/2015 Sebert et al.
D727,489 S * 4/2015 Rohskopf D23/388
D731,047 S 6/2015 Leonard
D732,708 S * 6/2015 Stauffer D25/133
D734,861 S * 7/2015 Johnson D24/201
D736,365 S * 8/2015 Breneman D23/372
D737,421 S * 8/2015 Jannello D23/386
D738,027 S 9/2015 Wang et al.
D743,520 S 11/2015 Sinur et al.
D744,632 S * 12/2015 Ehlert D23/393
D748,239 S * 1/2016 Daniels D23/373
D749,204 S * 2/2016 Breneman D23/372
D749,342 S * 2/2016 Escandon D6/682
D750,314 S 2/2016 Hobson et al.
D750,564 S * 3/2016 Weagle D13/137.4
D752,770 S * 3/2016 Kuhn D24/227
D754,304 S 4/2016 Morris et al.
D754,835 S * 4/2016 Uehara D23/371
D755,349 S * 5/2016 Murphey D23/237
D755,944 S * 5/2016 Daniels D23/373
D757,237 S * 5/2016 Gonzalez D23/328
D758,107 S 6/2016 Hamilton
D758,680 S * 6/2016 Hoffman D32/8
2001/0049261 A1 12/2001 McKee et al.
2002/0171059 A1 * 11/2002 Sakurai F02D 11/10
251/305
2003/0054754 A1 3/2003 McKee
2003/0079905 A1 5/2003 Higgs
2003/0116213 A1 * 6/2003 DiMarco F16L 9/003
138/114
2003/0153262 A1 8/2003 Mantyla et al.
2003/0161742 A1 * 8/2003 Lin F04D 29/5893
417/410.1
2004/0177871 A1 9/2004 Harbaugh
2004/0195923 A1 * 10/2004 Staigl, III H02K 11/00
310/71
2004/0238651 A1 * 12/2004 Juntunen F23N 1/082
236/20 R
2005/0184268 A1 * 8/2005 Narayanaswamy ... B23K 31/02
251/308
2005/0233691 A1 10/2005 Horton
2005/0284988 A1 * 12/2005 Lawver F16L 3/24
248/65
2006/0005809 A1 * 1/2006 Kado F02D 9/1035
123/399
2006/0042239 A1 * 3/2006 Gerards F16K 1/221
60/324
2006/0065211 A1 * 3/2006 Hasbargen F23L 17/005
122/17.1
2006/0157092 A1 * 7/2006 Kramer A47L 15/4285
134/105
2006/0249141 A1 11/2006 Sinur et al.
2007/0045473 A1 * 3/2007 Clegg B64D 25/14
244/137.2
2007/0101689 A1 * 5/2007 Gaskins F23L 11/005
55/385.4
2007/0241629 A1 * 10/2007 Ionel H02K 1/141
310/214
2008/0029243 A1 * 2/2008 O'Donnell F24H 3/087
165/48.1

2008/0134843 A1 * 6/2008 Smith B25B 13/48
81/121.1
2008/0210783 A1 * 9/2008 Bissonnette F23D 14/32
239/429
2008/0272667 A1 * 11/2008 Ionel H02K 1/276
310/156.83
2008/0302352 A1 12/2008 Pearce et al.
2008/0308689 A1 * 12/2008 Syler F24H 1/182
248/146
2009/0084328 A1 * 4/2009 Lyons F23C 7/02
122/13.01
2009/0191493 A1 * 7/2009 Guzorek F23L 11/005
431/12
2010/0012048 A1 * 1/2010 Whitford F23L 11/005
122/14.21
2010/0015559 A1 * 1/2010 Whitford F23N 5/242
431/75
2010/0118463 A1 * 5/2010 Smith H01C 7/12
361/117
2010/0126431 A1 * 5/2010 Kanda F23D 14/04
122/14.21
2010/0184366 A1 7/2010 Hassenstab
2010/0300377 A1 * 12/2010 Buescher F24H 9/2035
122/14.1
2011/0168284 A1 7/2011 Whitford et al.
2011/0294412 A1 12/2011 Vagedes
2012/0212883 A1 8/2012 Hargreaves et al.
2012/0255267 A1 10/2012 Ehrensberger et al.
2013/0078903 A1 3/2013 Mantyla et al.
2013/0115871 A1 5/2013 Bourque et al.
2014/0144395 A1 * 5/2014 Blessing F24H 9/2035
122/14.22
2015/0053151 A1 * 2/2015 Graff F24H 9/2035
122/14.21
2015/0219363 A1 * 8/2015 Bridegum F24H 9/0042
137/15.05
2015/0220091 A1 * 8/2015 Koopman F24H 1/205
700/300

OTHER PUBLICATIONS

Louvre Dampers, image post date Mar. 2010, site visited Jun. 11, 2016, (online), <<http://pumps.kerrpump.com/Asset/Damper.pdf>>.*
Dampers—Air Measuring Products—Access Doors, image post date Apr. 18, 2005-Nov. 18, 2014, site visited Jun. 11, 2016, (online), <<http://www.deicontrols.com/dampers/>>.*
Balancing Damper Damper—Model BDD, image post date 1955, site visited Jun. 11, 2016, (online), <<http://www.safeair-dowco.com/product/BDD.pdf>>.*
Control Damper—Model 612, image post date 1955, site visited Jun. 11, 2016, (online), <<http://www.safeair-dowco.com/product/612.pdf>>.*
Motorized damper, image post date May 22, 2012, site visited Jun. 11, 2016, (online), <<https://www.tineye.com/search/585a79138b8552a0de2f919391f5c3daa879a9eb/>>.*
Residential Product Catalog, image post date May 2011, site visited Jun. 11, 2016, (online), <<http://www.cleanwaterpa.com/sites/default/files/u1/pdf/AO%20Smith%20water%20heater%20catalog.pdf>>.*
Nordyne, “Direct Vent (Sealed Combustion) Forced Air Gas Furnaces,” installation instructions (2004) pp. 1-36.
Yamaha R6 OEM ECU CDI Engine Control Unit Module Computer YZF-R6, image post date 2008, site visited Jun. 22, 2016, (online), <http://www.ebay.co.uk/itm/272262109754?clk_rvr_id=1050641016140&rmvSB=true>.

* cited by examiner

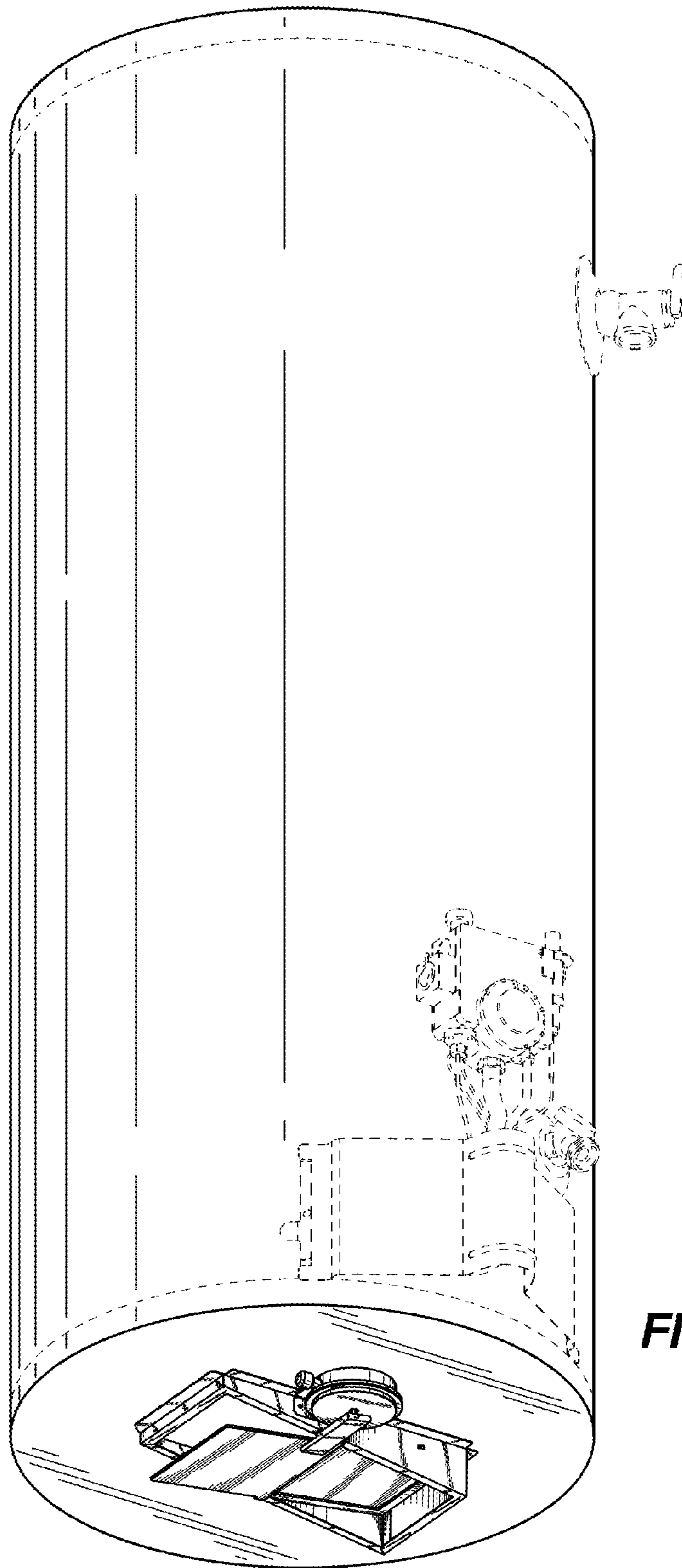


FIG. 1

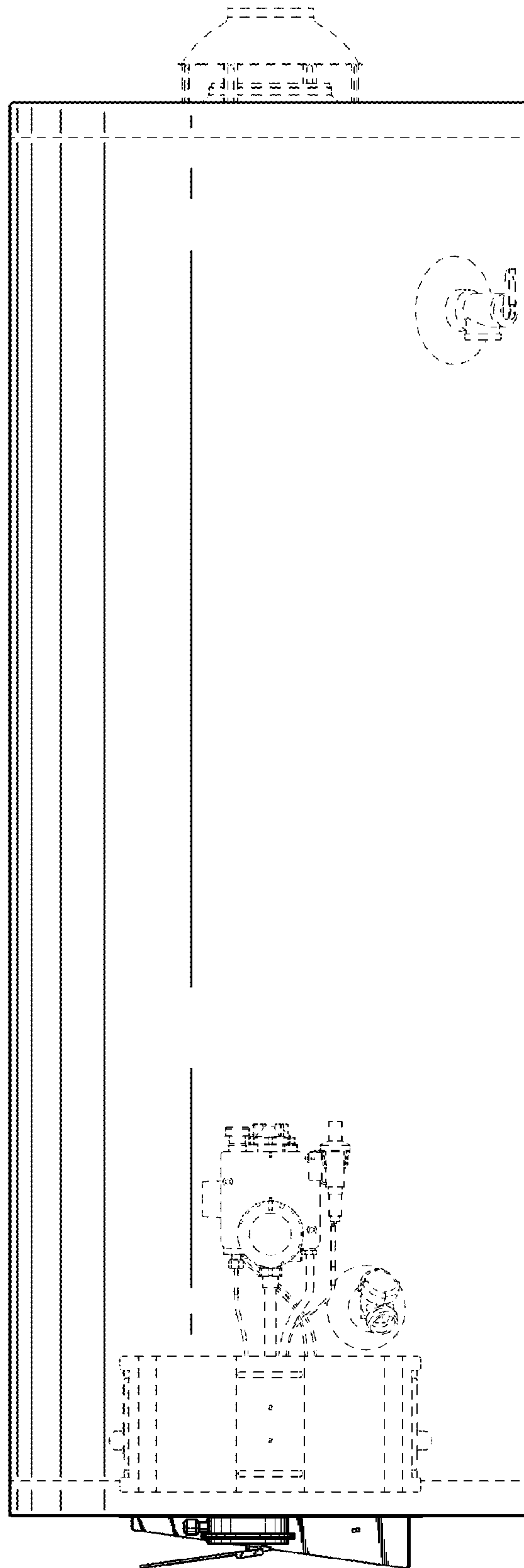


FIG. 2

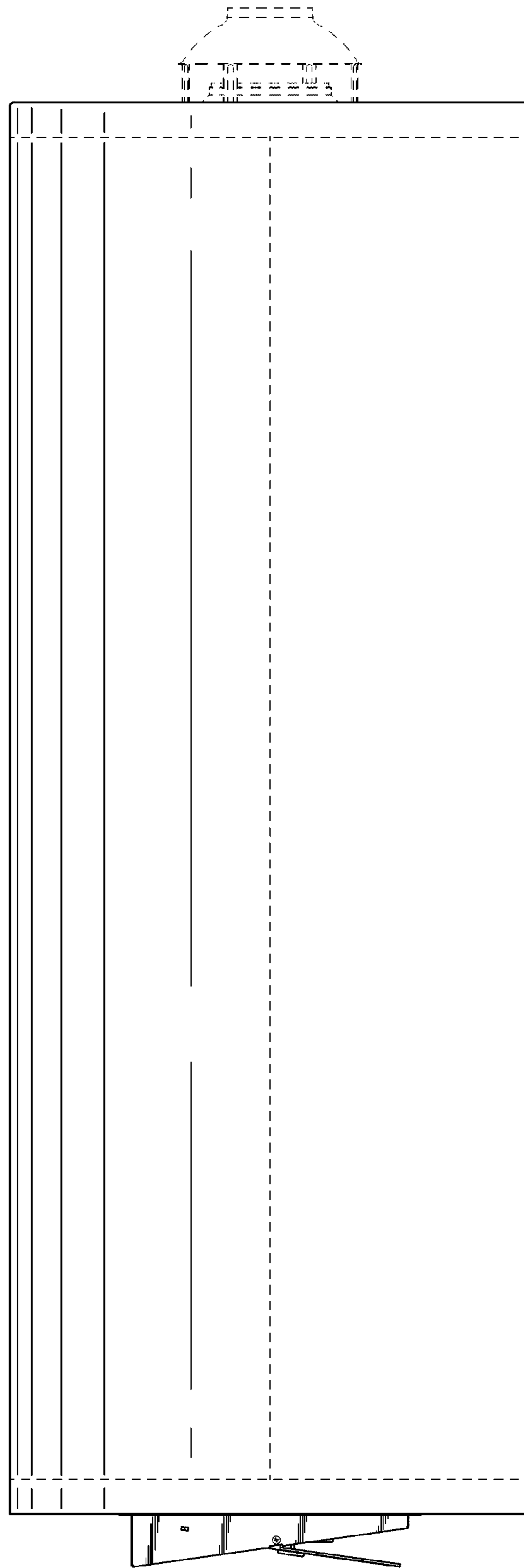


FIG. 3

FIG. 4

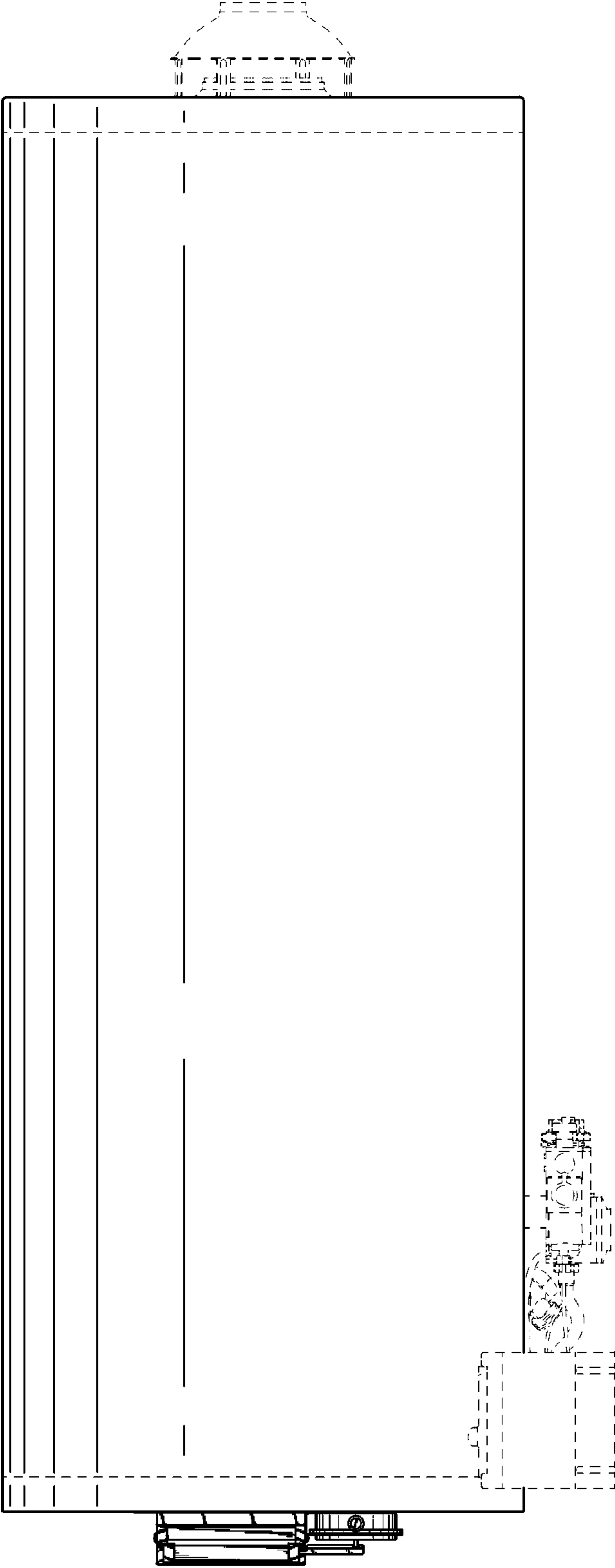




FIG. 5

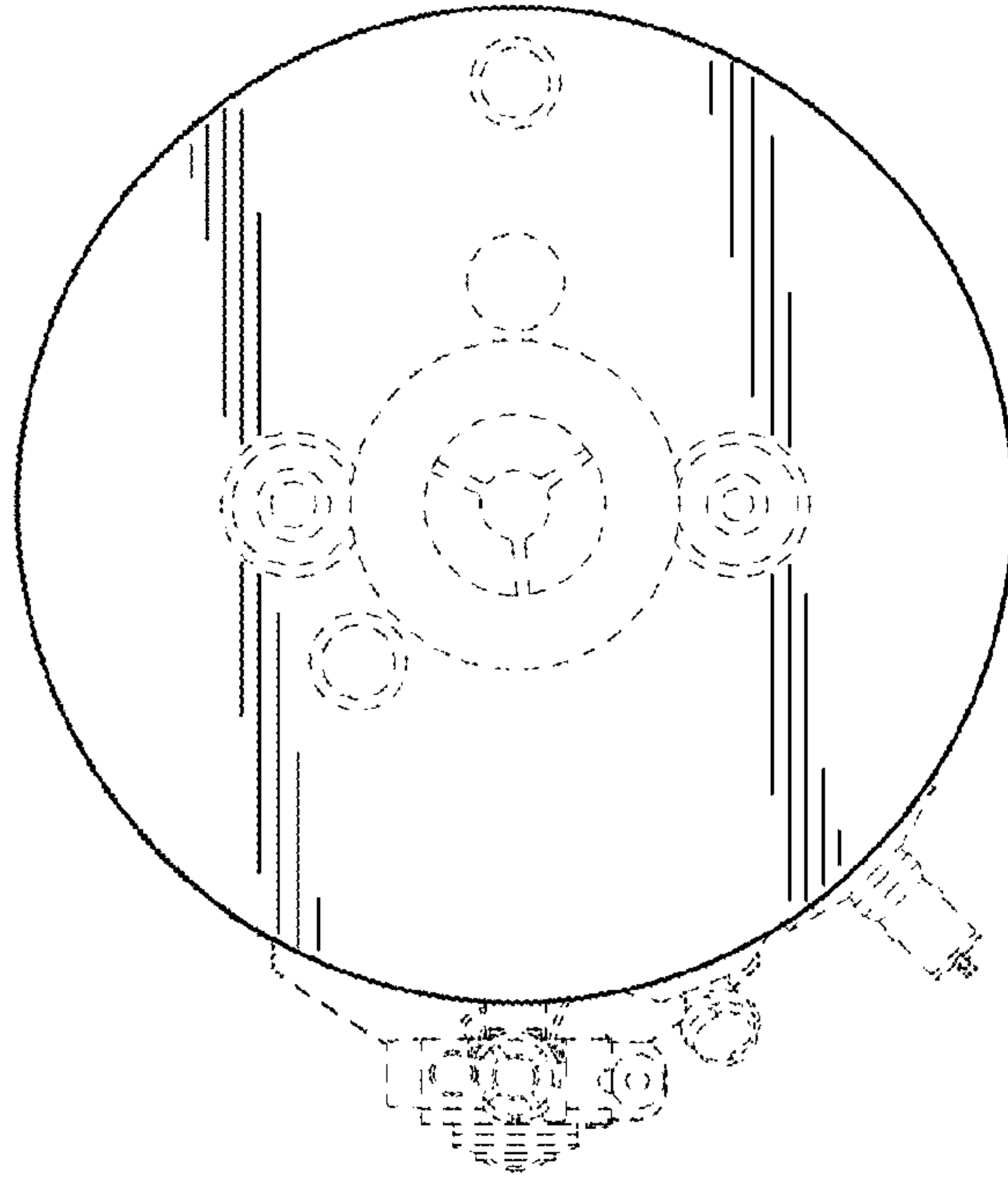


FIG. 6

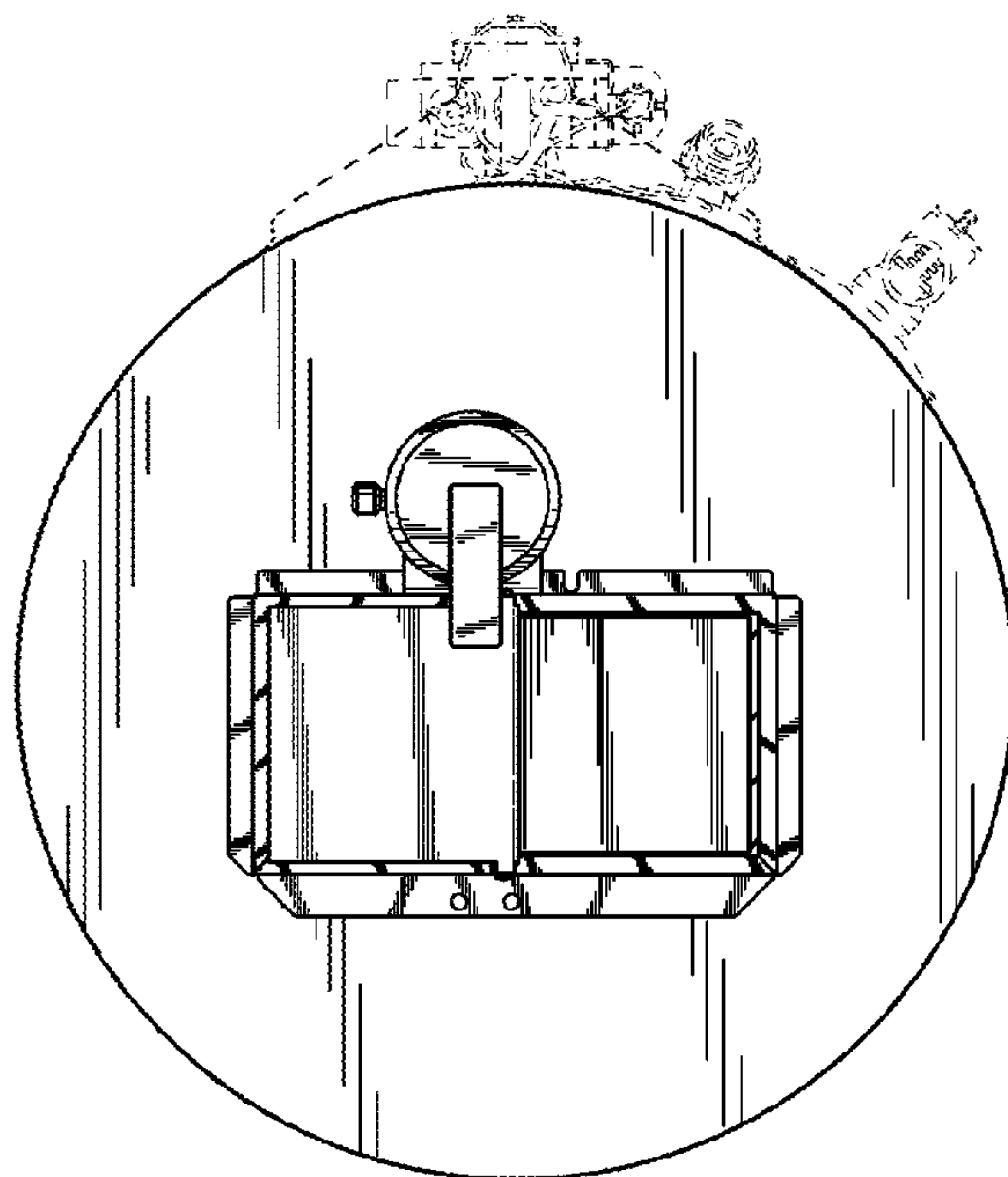


FIG. 7