



US00D771231S

(12) **United States Design Patent** (10) **Patent No.:** **US D771,231 S**  
**Chen et al.** (45) **Date of Patent:** **\*\* Nov. 8, 2016**

(54) **REGISTER**

(71) Applicant: **Sunonwealth Electric Machine Industry Co., Ltd., Kaohsiung (TW)**

(72) Inventors: **Chien-Chih Chen, Kaohsiung (TW); Cheng-Wei Lin, Kaohsiung (TW)**

(73) Assignee: **Sunonwealth Electric Machine Industry Co., Ltd., Kaohsiung (TW)**

(\*\*) Term: **14 Years**

(21) Appl. No.: **29/466,450**

(22) Filed: **Sep. 9, 2013**

(30) **Foreign Application Priority Data**

Jul. 17, 2013 (TW) ..... 102304917

(51) **LOC (10) Cl.** ..... **23-04**

(52) **U.S. Cl.**  
USPC ..... **D23/388**

(58) **Field of Classification Search**  
USPC ..... D23/385-393, 381, 382, 370, 371, 354, D23/358, 261; 454/309, 275-277, 284, 454/287-291; D26/59  
CPC ..... F24F 7/007; F24F 2007/001  
See application file for complete search history.

(56) **References Cited**

**U.S. PATENT DOCUMENTS**

D325,432 S *	4/1992	Cook	.....	D23/381
D340,509 S *	10/1993	Odom et al.	.....	D23/364
D377,390 S *	1/1997	Ketcham	.....	D23/328
D401,682 S *	11/1998	Galeazzi et al.	.....	D23/351
D414,854 S *	10/1999	Omaki et al.	.....	D23/364
D424,672 S *	5/2000	Nanjo	.....	D23/353
D425,189 S *	5/2000	Gillingham et al.	.....	D23/365

D426,292 S *	6/2000	Nanjo	.....	D23/351
D442,270 S *	5/2001	Campbell et al.	.....	D23/364
D490,509 S *	5/2004	Negrao et al.	.....	D23/354
D512,503 S *	12/2005	Roland	.....	D23/412
D544,081 S *	6/2007	Fujii	.....	D23/364
D562,440 S *	2/2008	Negrao et al.	.....	D23/354
D566,257 S *	4/2008	Deng	.....	D23/371
D577,431 S *	9/2008	Miyake et al.	.....	D23/385
D614,276 S *	4/2010	Harris et al.	.....	D23/364
D654,998 S *	2/2012	Zakula et al.	.....	D23/371
D655,804 S *	3/2012	Platt	.....	D23/365
D679,792 S *	4/2013	Hollingsworth	.....	D23/365
D710,000 S *	7/2014	Moreno	.....	D23/386
D713,951 S *	9/2014	Jepson	.....	D23/388
8,979,965 B2 *	3/2015	Minaeeghainipour	.....	55/490
2008/0245038 A1 *	10/2008	Gebert et al.	.....	55/497
2009/0126326 A1 *	5/2009	McClellan	.....	55/497

\* cited by examiner

*Primary Examiner* — David Muller

*Assistant Examiner* — Nathan Johnston

(74) *Attorney, Agent, or Firm* — Alan D. Kamrath; Kamrath IP Lawfirm, P.A.

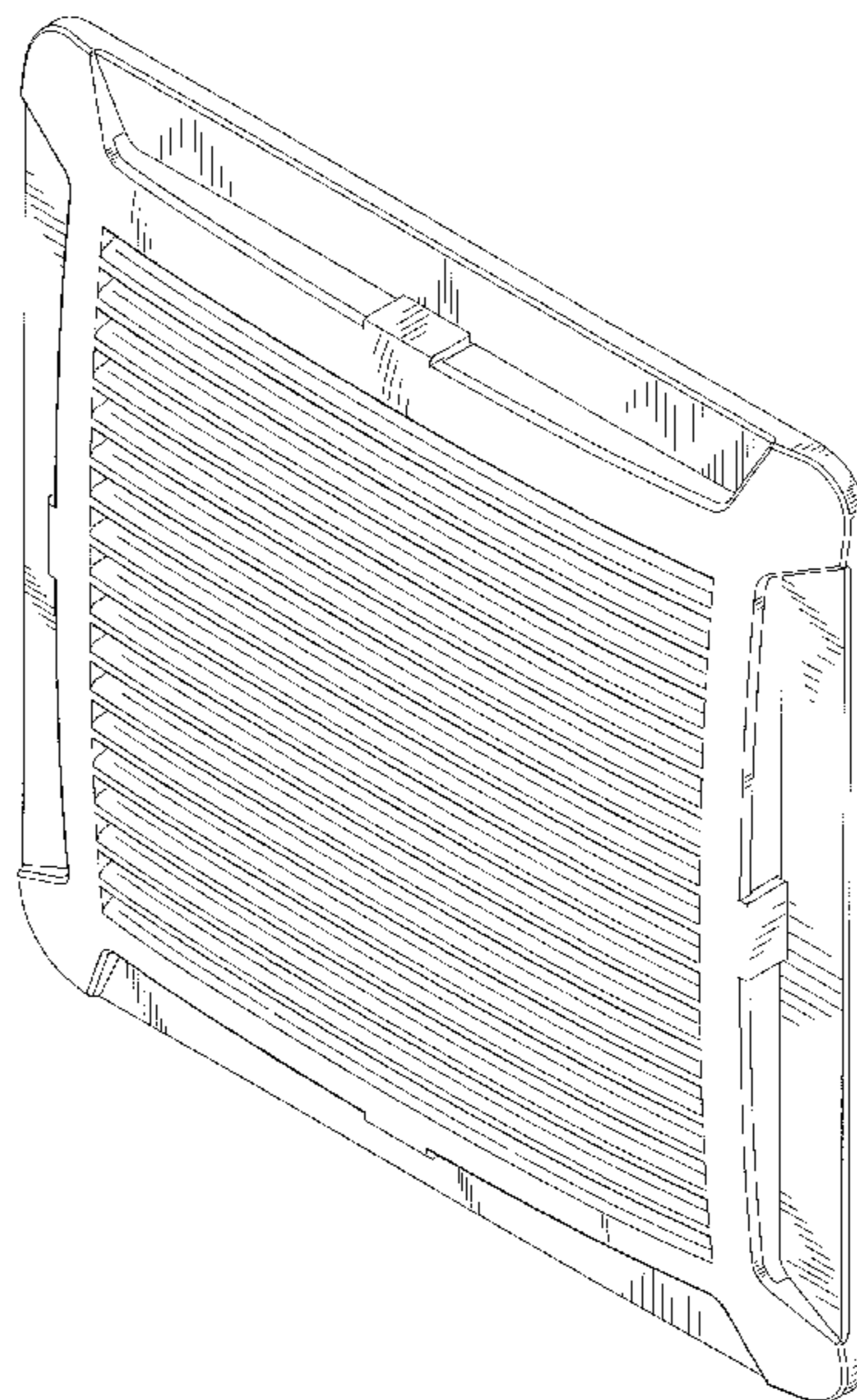
(57) **CLAIM**

We claim the ornamental design for a register, as shown in the accompanying drawings.

**DESCRIPTION**

FIG. 1 is a perspective view of a register showing our new design;  
FIG. 2 is another perspective view thereof;  
FIG. 3 is a right side elevational view thereof;  
FIG. 4 is a top plan view thereof;  
FIG. 5 is a front elevational view thereof;  
FIG. 6 is a bottom plan view thereof;  
FIG. 7 is a left side elevational view thereof; and,  
FIG. 8 is a rear elevational view thereof.

**1 Claim, 8 Drawing Sheets**



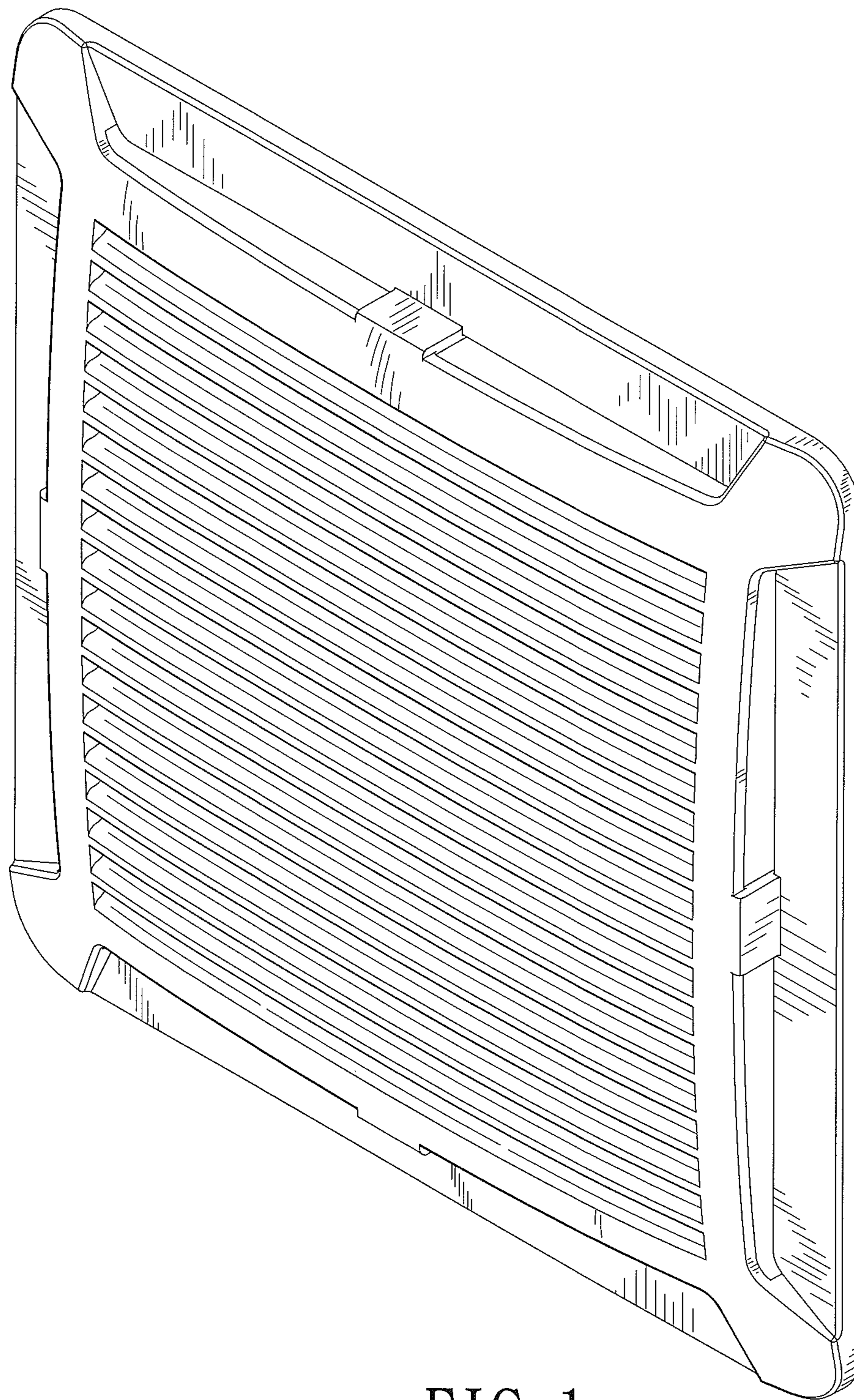


FIG. 1



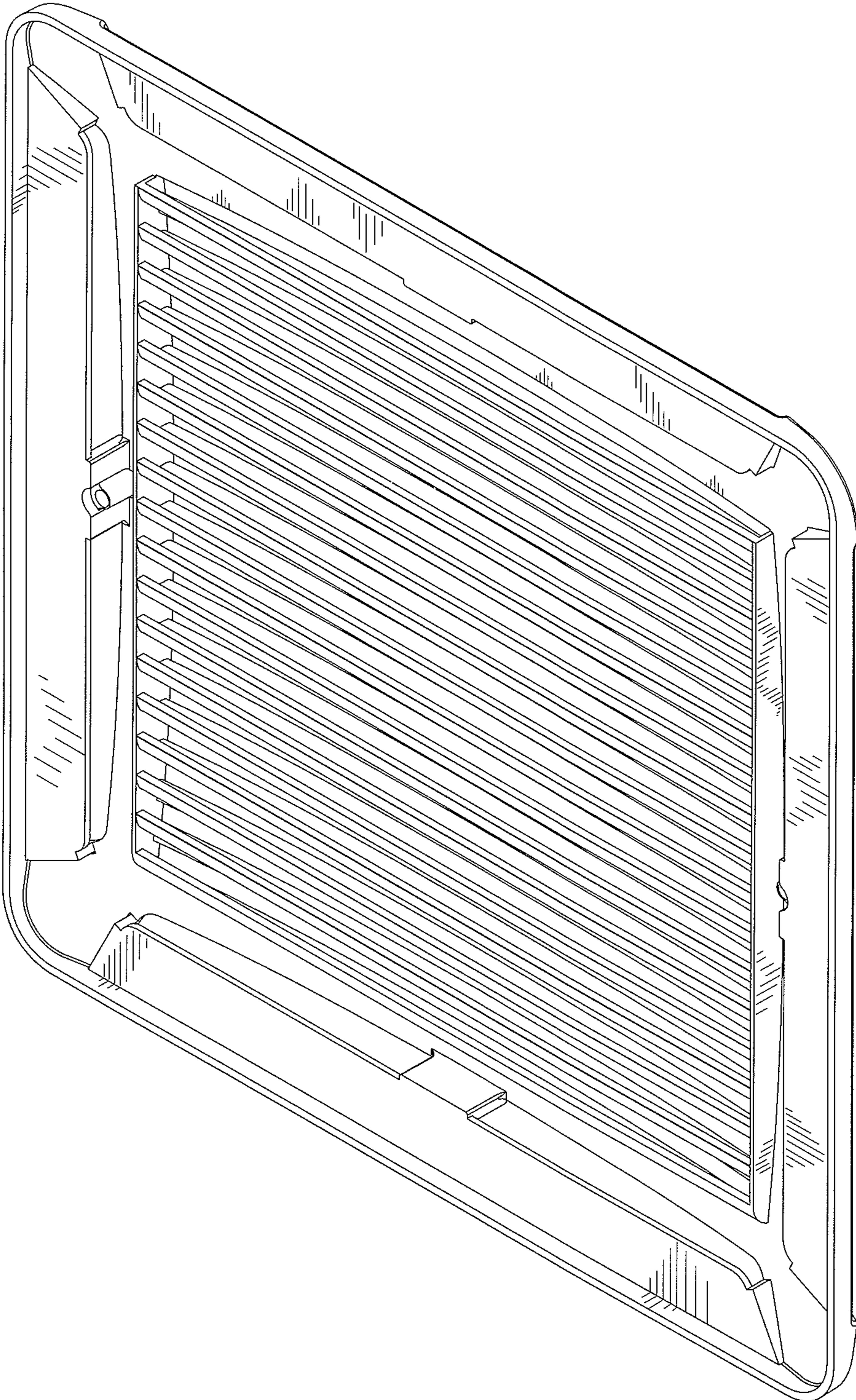


FIG. 2

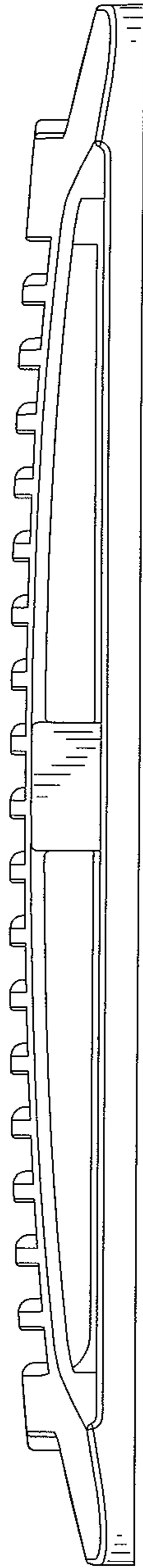


FIG. 3

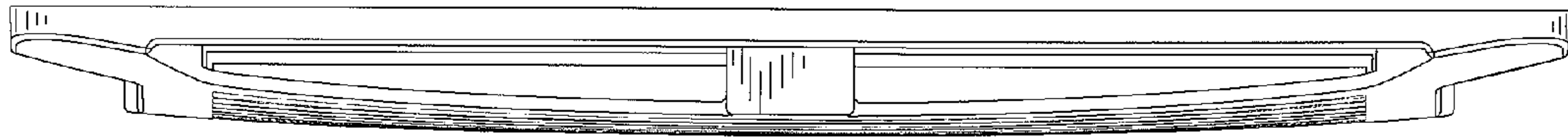


FIG. 4

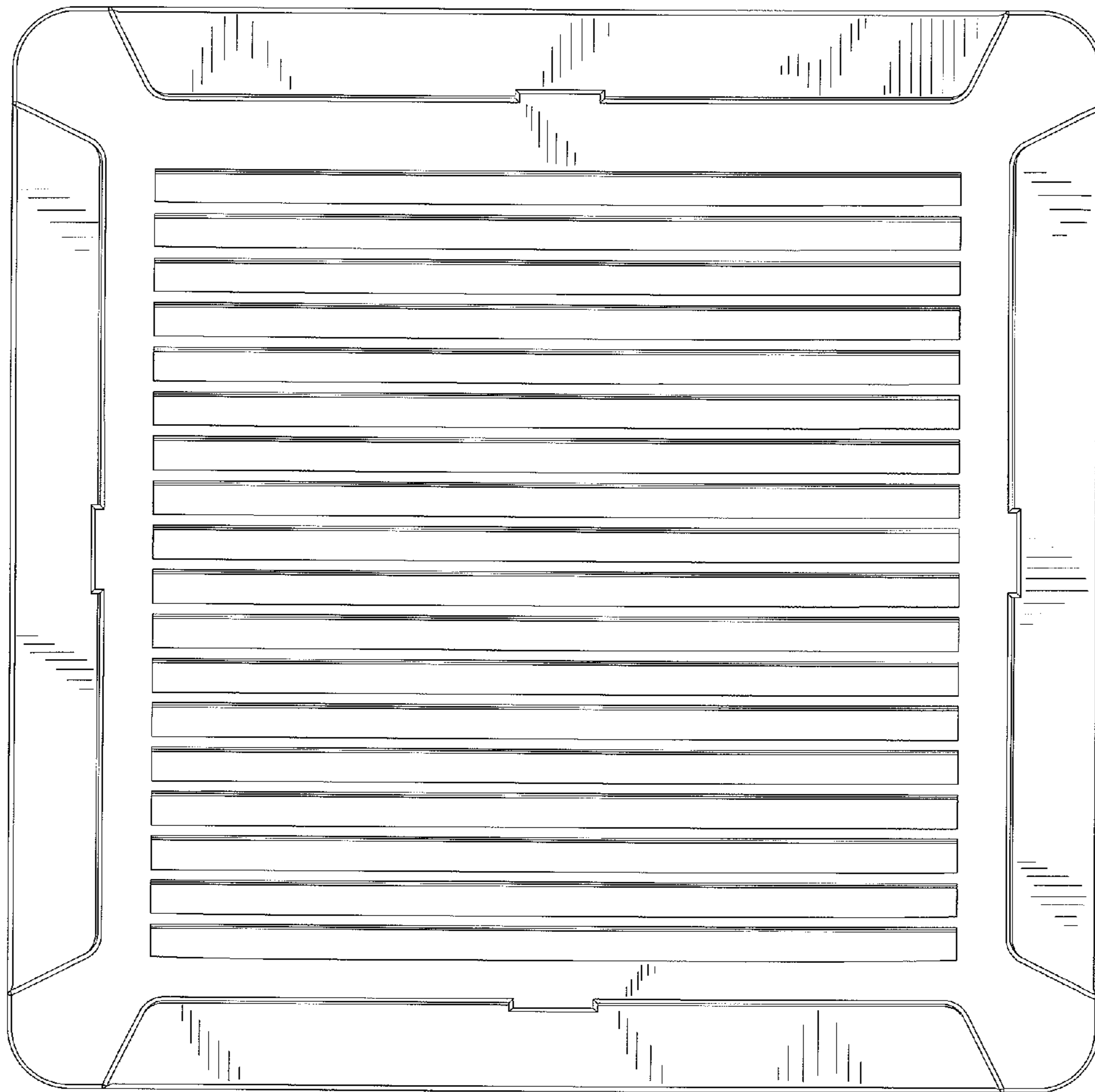


FIG. 5

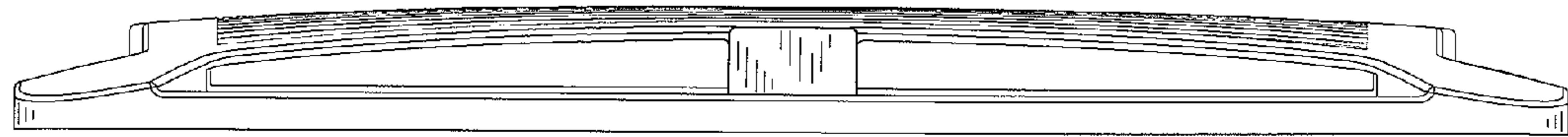


FIG. 6

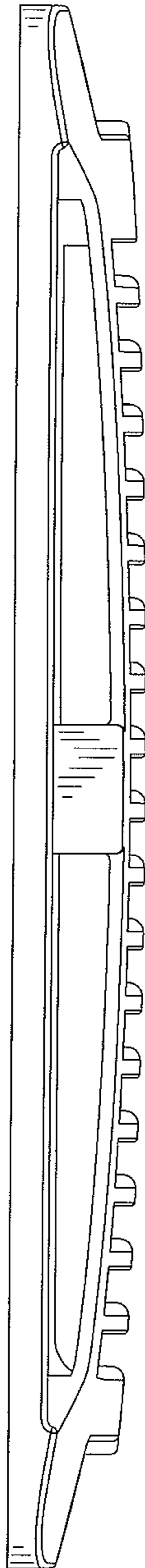


FIG. 7



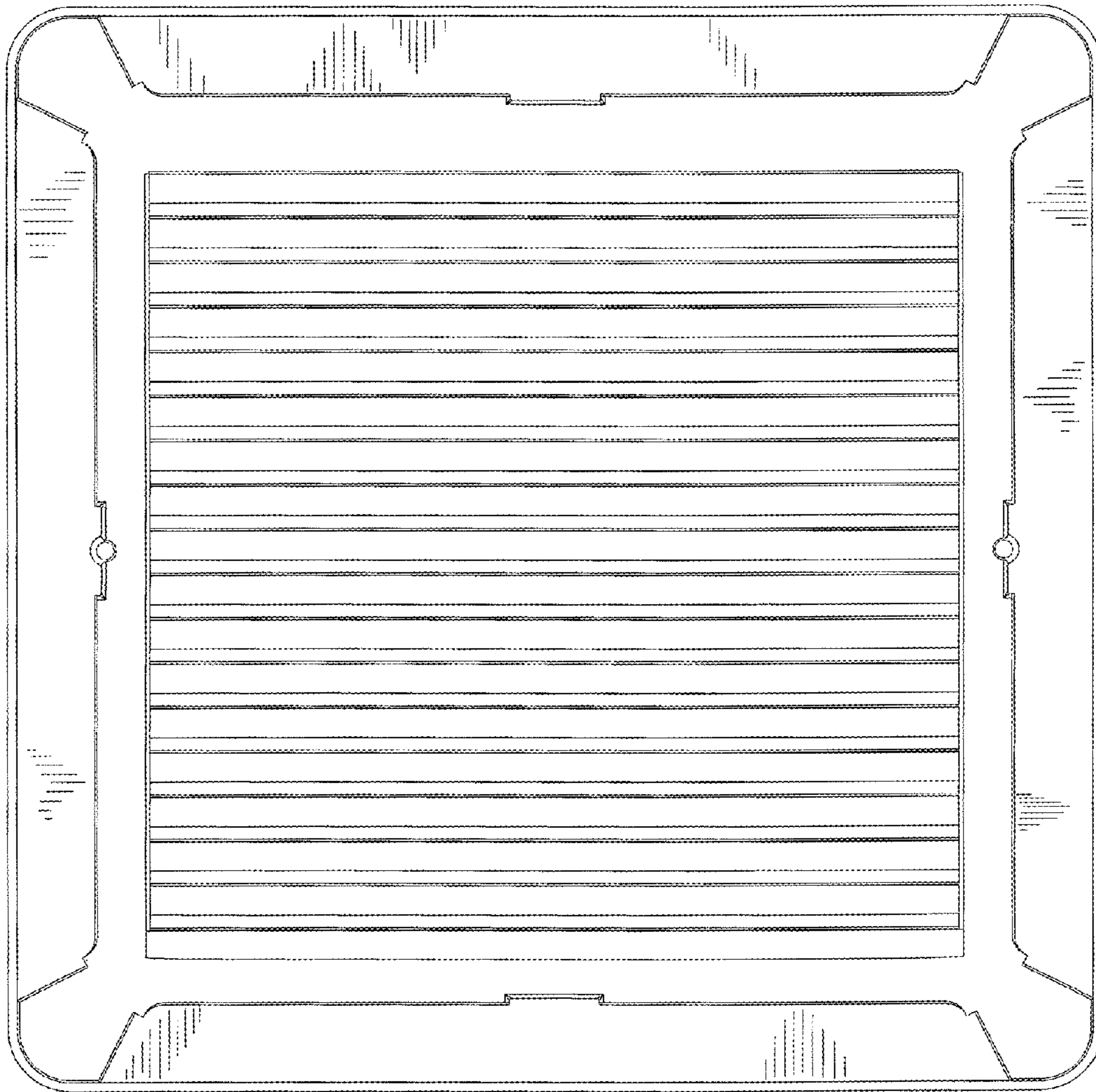


FIG. 8