



US00D771230S

(12) **United States Design Patent** (10) **Patent No.:** **US D771,230 S**
Jones (45) **Date of Patent:** **** Nov. 8, 2016**

- (54) **CEILING FAN WITH LIGHT FIXTURE**
- (71) Applicant: **LITEX INDUSTRIES, LIMITED**,
Grand Prairie, TX (US)
- (72) Inventor: **Jimmy J. Jones**, Crowley, TX (US)
- (73) Assignee: **Craftmade International, Inc.**, Grand
Prairie, TX (US)
- (**) Term: **14 Years**
- (21) Appl. No.: **29/513,533**
- (22) Filed: **Dec. 31, 2014**
- (51) **LOC (10) Cl.** **23-04**
- (52) **U.S. Cl.**
USPC **D23/377**
- (58) **Field of Classification Search**
USPC D23/377, 379, 385, 387, 411-414, 499;
416/1, 5, 170 R, 214 R, 184, 206, 207,
416/210 R, 220 R, 244 R, 248; 392/364;
D26/59, 51, 72, 73, 80-86, 88, 90
CPC .. F04D 25/088; F04D 29/601; F04D 29/322;
F04D 29/324; F04D 29/38
See application file for complete search history.

(56) **References Cited**

U.S. PATENT DOCUMENTS

D328,638 S *	8/1992	Hsieh	D23/377
5,151,011 A *	9/1992	Rezek	F21V 33/0096 416/5
D331,101 S *	11/1992	Rezek	D23/377
D347,887 S *	6/1994	Liu	D23/377
D355,027 S *	1/1995	Young	D23/377
D357,978 S *	5/1995	Young	D23/377
D360,939 S *	8/1995	Wang	D23/377
D396,530 S *	7/1998	Tai	D23/377
D421,797 S *	3/2000	Collmar	D23/377
D427,672 S *	7/2000	Lee	D23/377

D463,020 S *	9/2002	Liu	D23/377
D480,128 S *	9/2003	Gajewski	D23/377
D483,474 S *	12/2003	Young	D23/413
D484,964 S *	1/2004	Young	D23/377
D513,316 S *	12/2005	Gajewski	D23/377
7,008,192 B2 *	3/2006	Hidalgo	F04D 29/34 416/206
7,028,963 B1 *	4/2006	Silva	F04D 29/601 248/342
D521,142 S *	5/2006	Gerhardt	D23/377
D525,699 S *	7/2006	Davenport	D23/377
D598,997 S *	8/2009	Klausing	D23/377

(Continued)

OTHER PUBLICATIONS

Tyrod Ceiling Fan Ellington. ellingtonfans.com. [online PDF] 25 pages. Published Apr. 9, 2014 [retrieved on Feb. 24, 2016]. Retrieved from Internet: <<http://www.ellingtonfans.com/ELLTRD60PLN4.PDF>>.*

(Continued)

Primary Examiner — Susan Bennett Hattan
Assistant Examiner — Marie Fast Horse
(74) *Attorney, Agent, or Firm* — Mark W. Handley

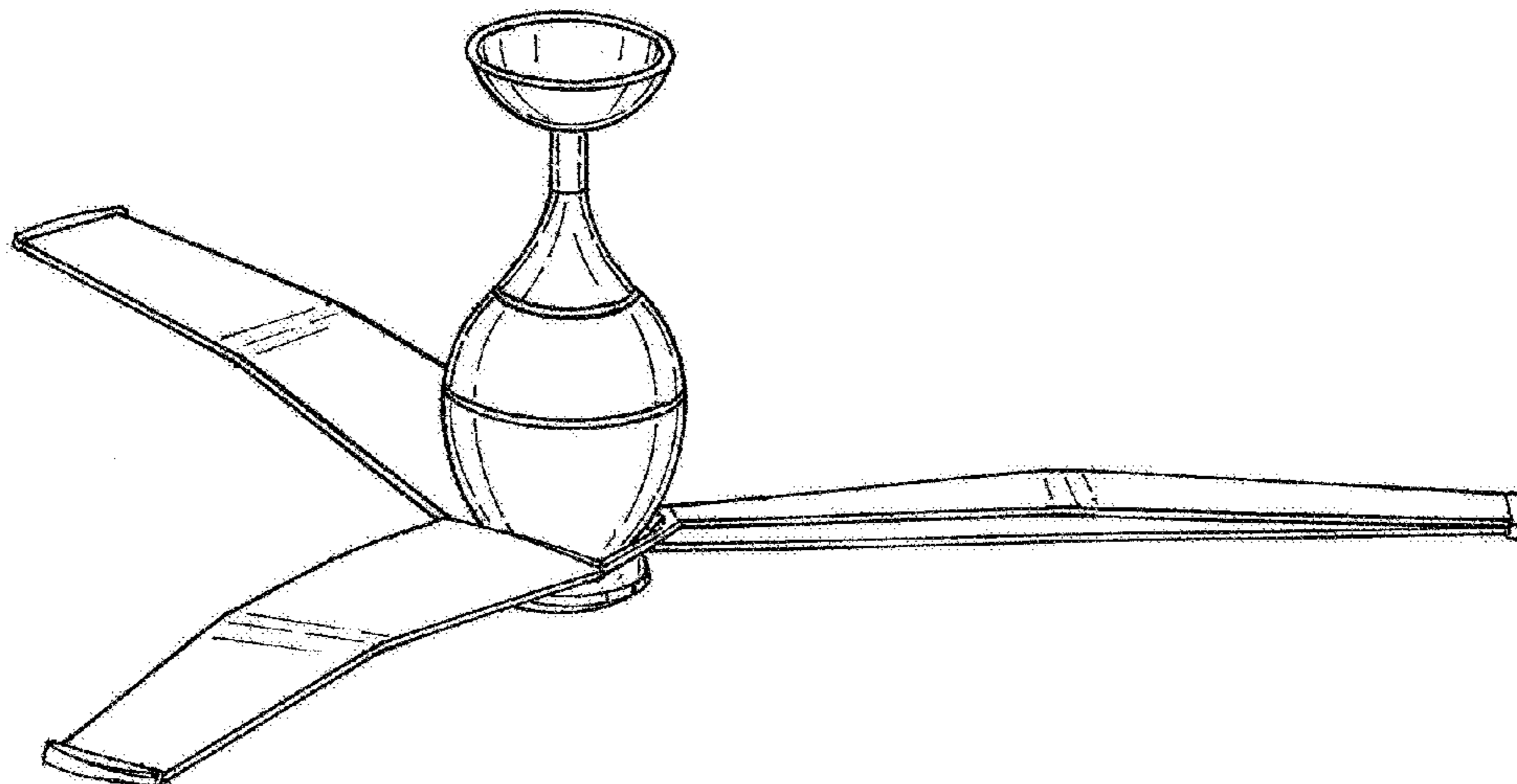
(57) **CLAIM**

The ornamental design for a ceiling fan with light fixture, as shown and described.

DESCRIPTION

FIG. 1 is a perspective view of a ceiling fan with light fixture embodying my design;
FIG. 2 is a bottom view of the ceiling fan with light fixture;
FIG. 3 is a top view of the ceiling fan with light fixture;
FIG. 4 is a right side view of the ceiling fan with light fixture; and,
FIG. 5 is a left side view of the ceiling fan with light fixture.

1 Claim, 3 Drawing Sheets



(56)

References Cited

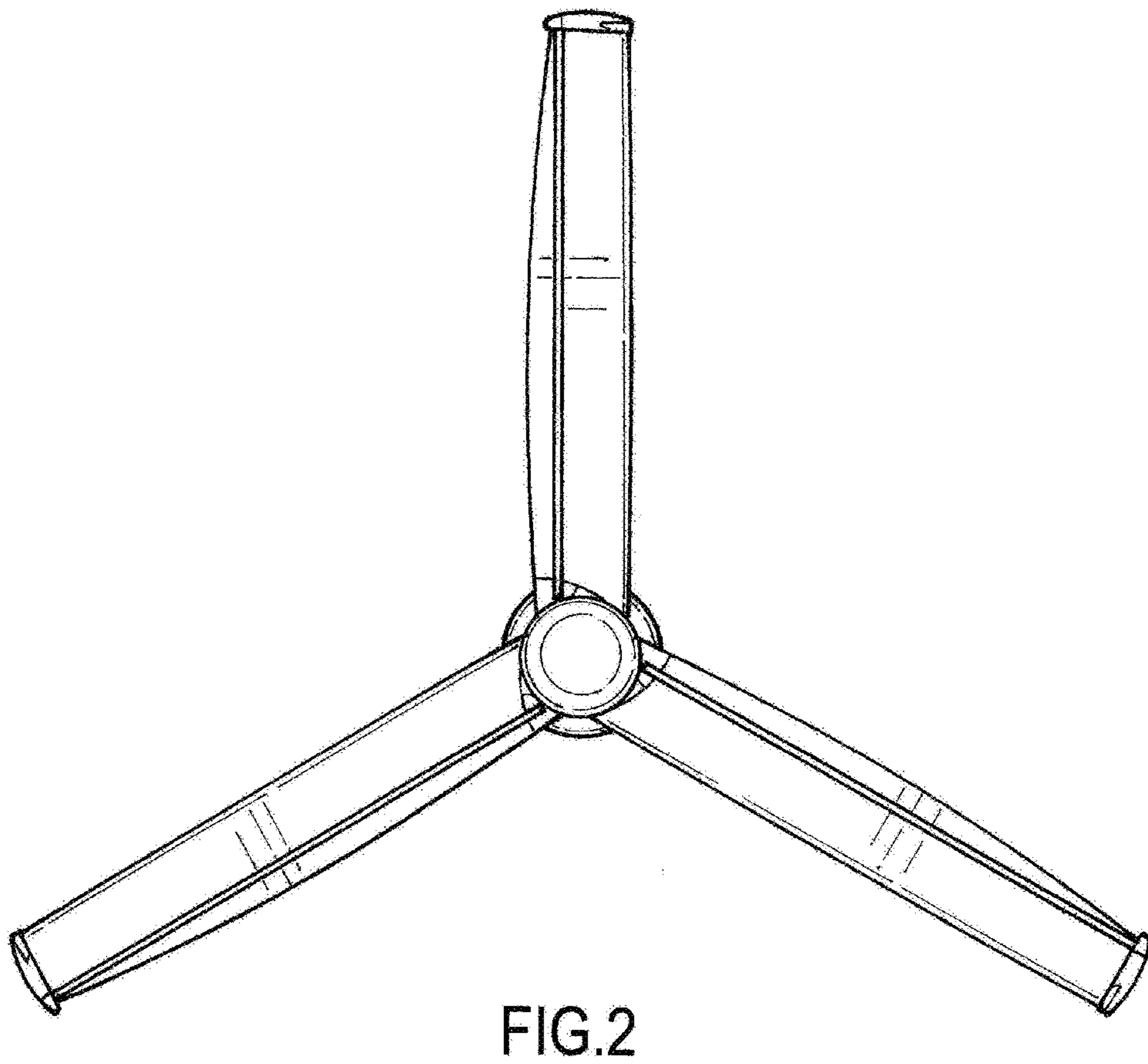
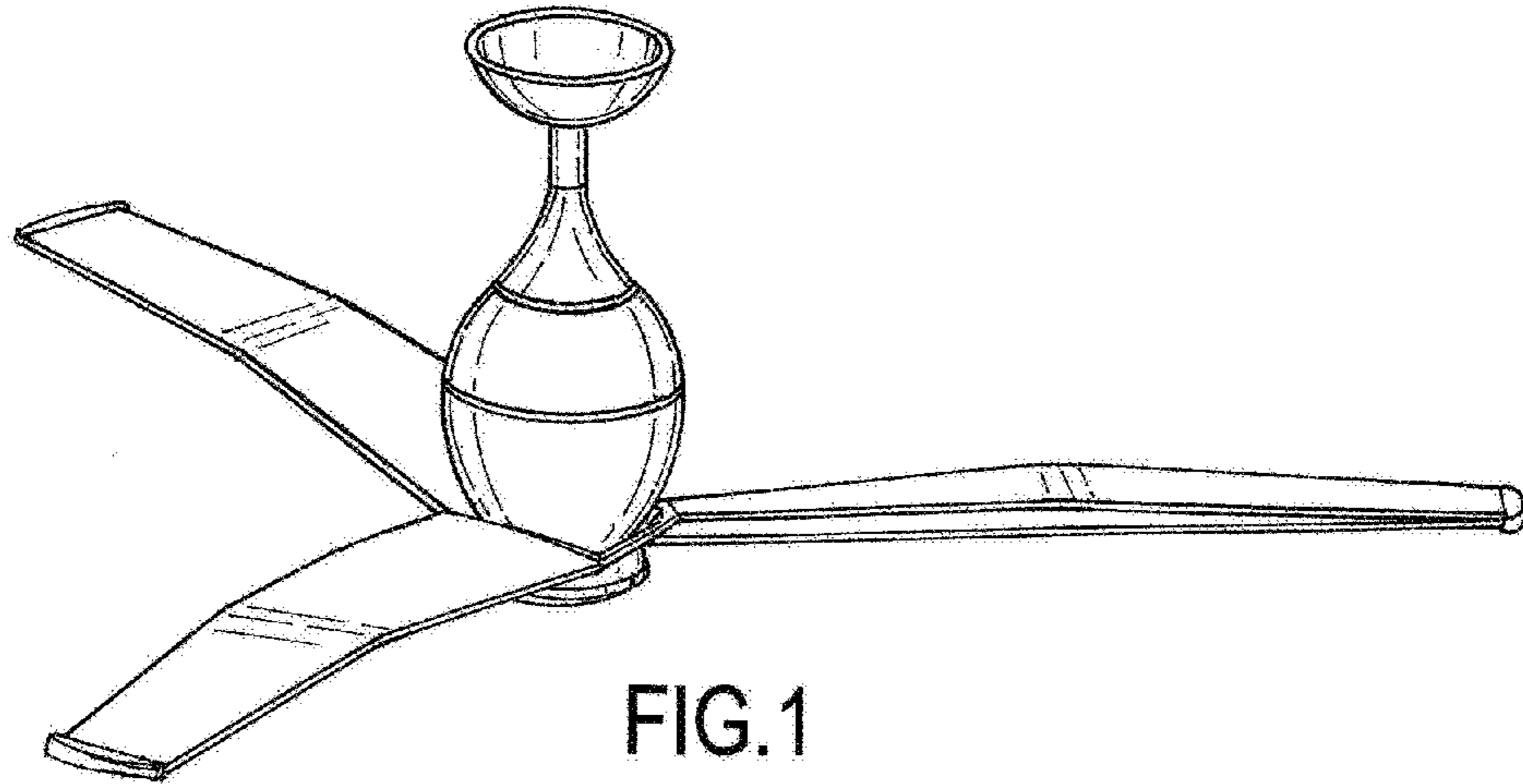
U.S. PATENT DOCUMENTS

D630,312 S	*	1/2011	Spaulding	D23/377
D675,720 S	*	2/2013	Martin Conillas	D23/370
D715,418 S	*	10/2014	Schulzman	D23/377
D716,436 S	*	10/2014	Johnson	D23/377
D716,438 S	*	10/2014	Liu	D23/377
D744,629 S	*	12/2015	Wang	D23/377

OTHER PUBLICATIONS

matthews-fan-company-irene-3-blade-ceiling-fan-spec-01-5360.
luxedecor.com. [online PDF] 2 pages. Available as early as 2012
[retrieved on Feb. 24, 2016]. Retrieved from Internet: <matthews-
fan-company-irene-3-blade-ceiling-fan-spec-01-5360.pdf> on
<[http://www.luxedecor.com/product/matthews-fan-company-irene-
indoor-ceiling-modern-fans-mfcir3bn](http://www.luxedecor.com/product/matthews-fan-company-irene-indoor-ceiling-modern-fans-mfcir3bn)>.*

* cited by examiner



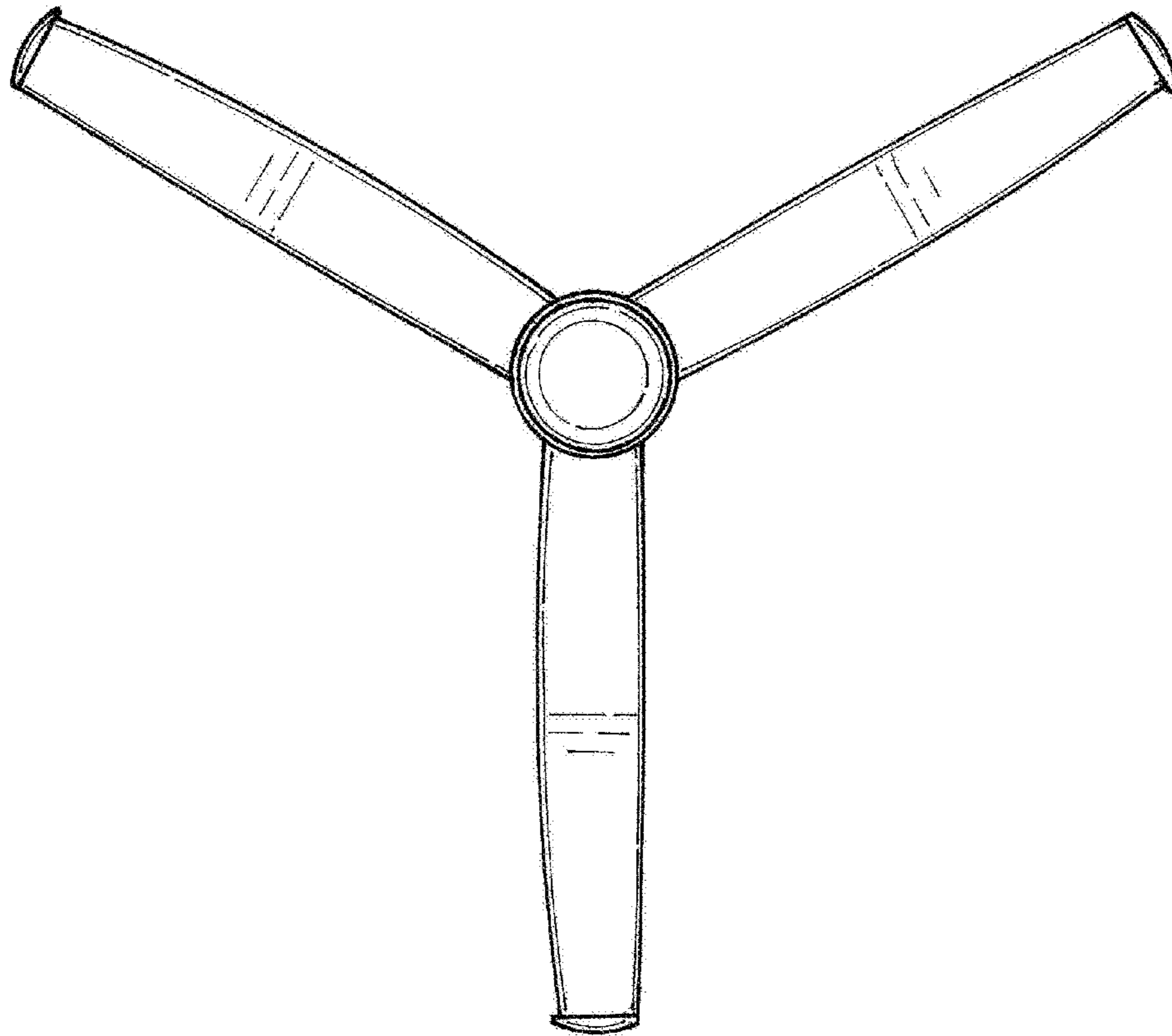


FIG.3

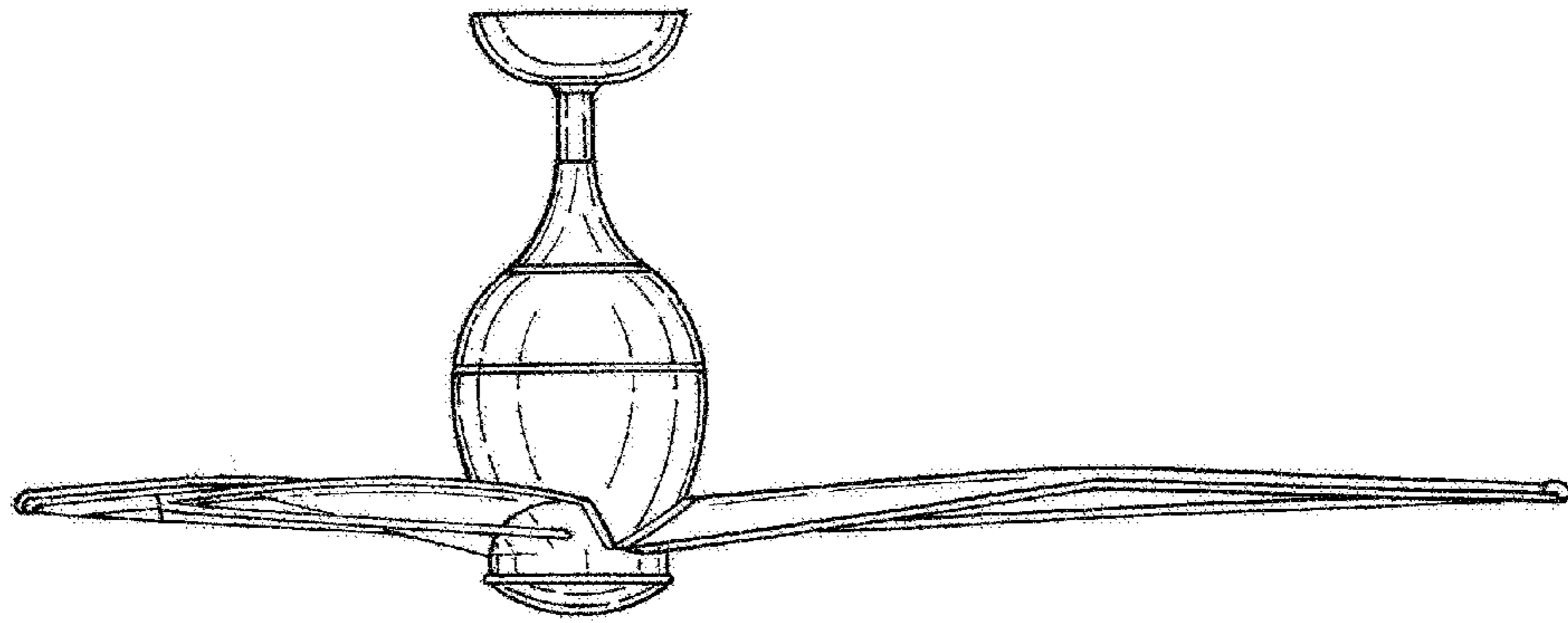


FIG. 4

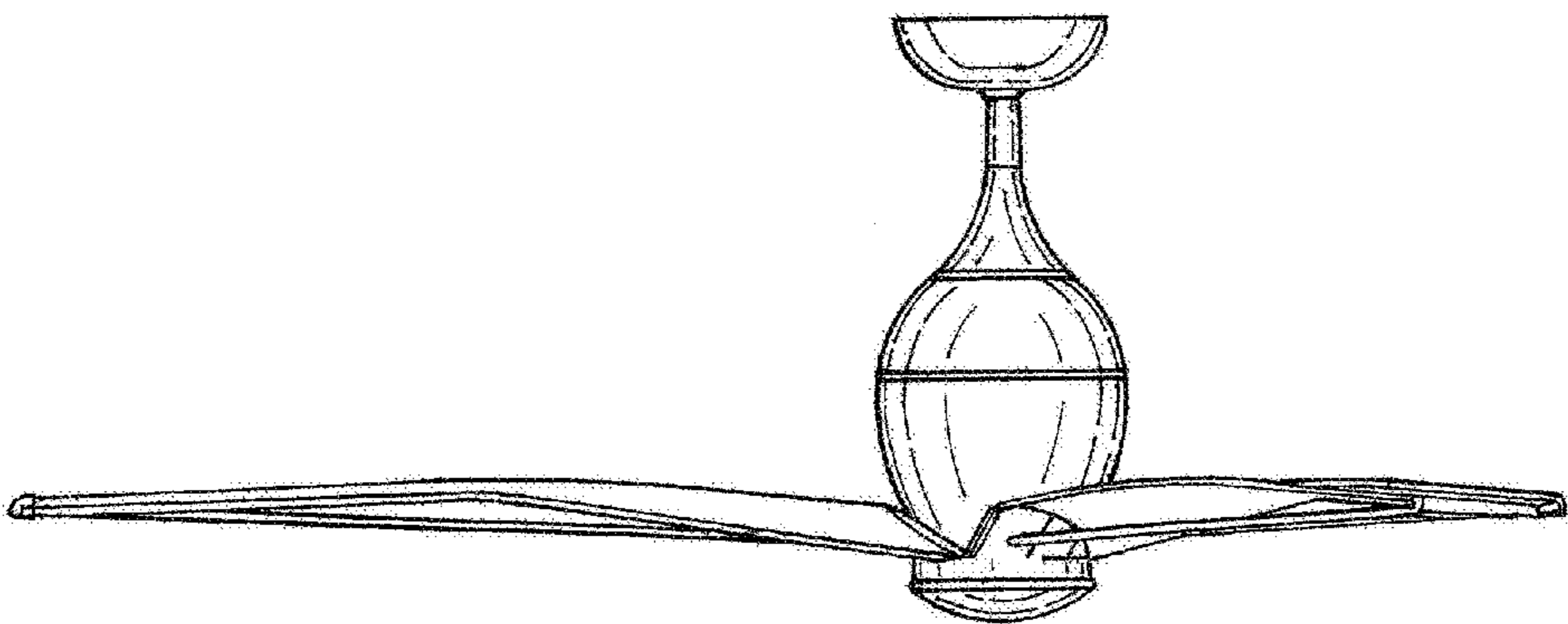


FIG. 5