



US00D771229S

(12) **United States Design Patent** (10) **Patent No.:** **US D771,229 S**
Stalgren et al. (45) **Date of Patent:** **** Nov. 8, 2016**

(54) **BLOWER FAN**
(71) Applicant: **Patterson Fan Company**, Blythewood, SC (US)
(72) Inventors: **Stefan Stalgren**, Cary, NC (US); **Michael Collins**, Holly Springs, NC (US); **Gheorghe Lupsea**, Cary, NC (US)
(73) Assignee: **Patterson Fan Company, Inc.**, Blythewood, SC (US)
(**) Term: **14 Years**

D454,625 S 3/2002 Flanagan
D486,903 S * 2/2004 Chiang D23/370
6,698,220 B2 3/2004 Yoneno et al.
D534,643 S * 1/2007 Lange D23/370
D541,917 S 5/2007 Pfeiffer
D578,628 S 10/2008 Yoo et al.
D579,536 S 10/2008 Oh et al.
D589,131 S 3/2009 DeLucia
D613,383 S 4/2010 Crosnier et al.
D625,799 S 10/2010 Salisbury et al.
D635,656 S * 4/2011 Ghosn D23/370
8,181,476 B2 5/2012 Khan et al.
D681,184 S 4/2013 Romero Carreras
D683,010 S * 5/2013 Chen D23/370
D687,135 S 7/2013 Kampf et al.
D693,451 S * 11/2013 McKeage D23/370
D701,299 S 3/2014 Oba

(21) Appl. No.: **29/521,238**
(22) Filed: **Mar. 20, 2015**
(51) **LOC (10) Cl.** **23-04**
(52) **U.S. Cl.**
USPC **D23/370**
(58) **Field of Classification Search**
USPC D23/370, 355, 314, 414; 415/121.1
CPC .. F04D 29/329; F04D 29/526; F04D 25/082;
F04D 29/325; F04D 29/703; F04D 29/547
See application file for complete search history.

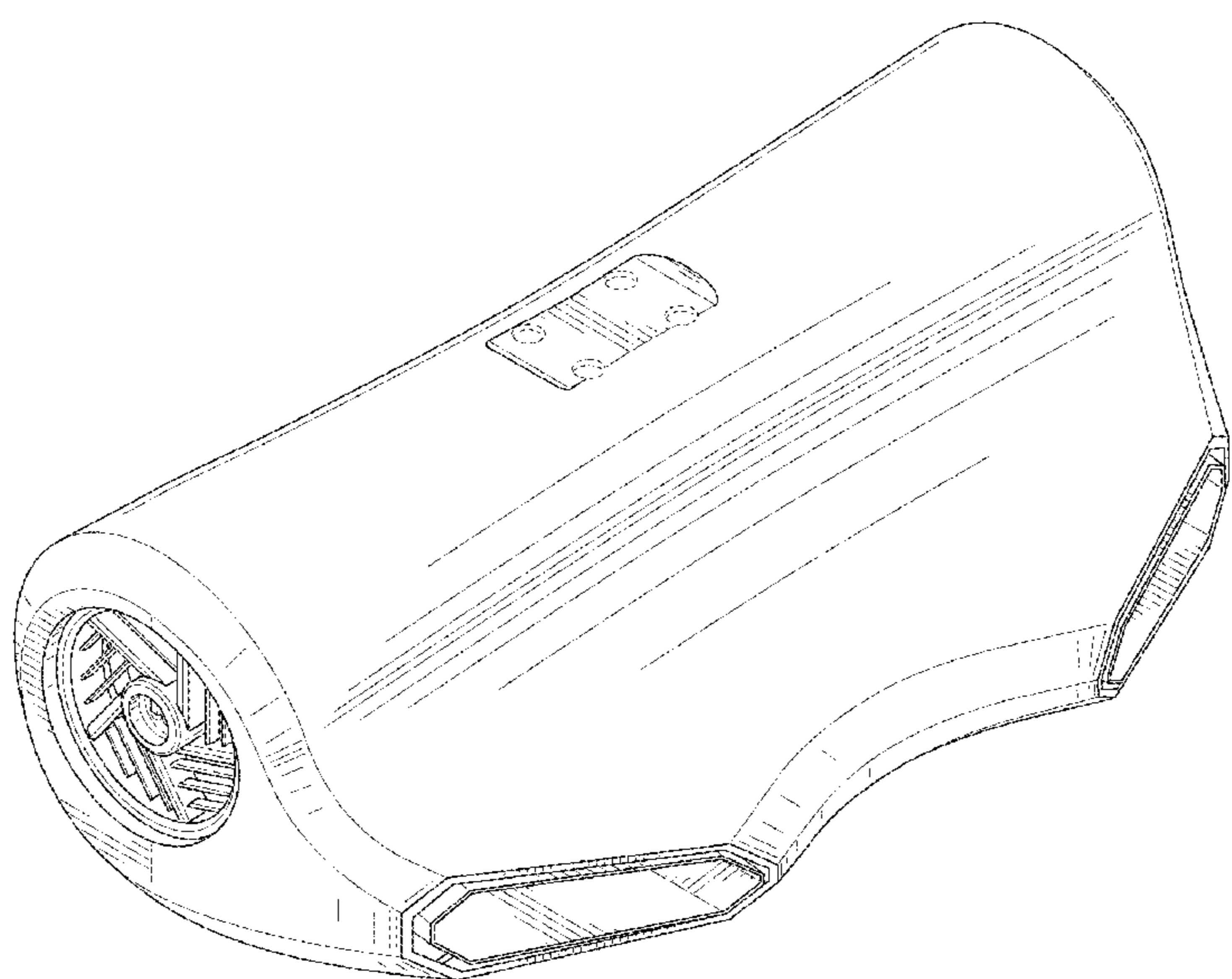
(Continued)
Primary Examiner — Cynthia Underwood
(74) *Attorney, Agent, or Firm* — Nelson Mullins Riley & Scarborough, LLP

(56) **References Cited**
U.S. PATENT DOCUMENTS
D130,076 S 10/1941 Vonderbosh
D252,468 S 7/1979 Seipp
D283,437 S 4/1986 Neimy et al.
D290,747 S 7/1987 Tigner et al.
D311,244 S 10/1990 Allard et al.
D323,552 S 1/1992 Baldwin et al.
5,220,808 A 6/1993 Mayer
D343,229 S 1/1994 Bleck et al.
D363,980 S 11/1995 Roach
5,588,301 A 12/1996 Deroche, Sr.
D424,184 S 5/2000 Chang-Kwon

(57) **CLAIM**
The ornamental design for a blower fan, substantially as shown and described.

DESCRIPTION
FIG. 1 is a perspective view of a blower fan in accordance with an embodiment of the present invention;
FIG. 2 is a front elevation view of the blower fan of FIG. 1;
FIG. 3 is a rear elevation view of the blower fan of FIG. 1;
FIG. 4 is a left side elevation view of the blower fan of FIG. 1;
FIG. 5 is a right side elevation view of the blower fan of FIG. 1;
FIG. 6 is a top plan view of the blower fan of FIG. 1; and,
FIG. 7 is a bottom plan view of the blower fan of FIG. 1.
The broken lines represent environment and form no part of the claim.

1 Claim, 6 Drawing Sheets



US D771,229 S

Page 2

(56)

References Cited

U.S. PATENT DOCUMENTS

D703,303 S 4/2014 Ruck

D705,408 S 5/2014 Patterson et al.
D715,907 S 10/2014 Bergin
D741,463 S 10/2015 Hauville et al.

* cited by examiner

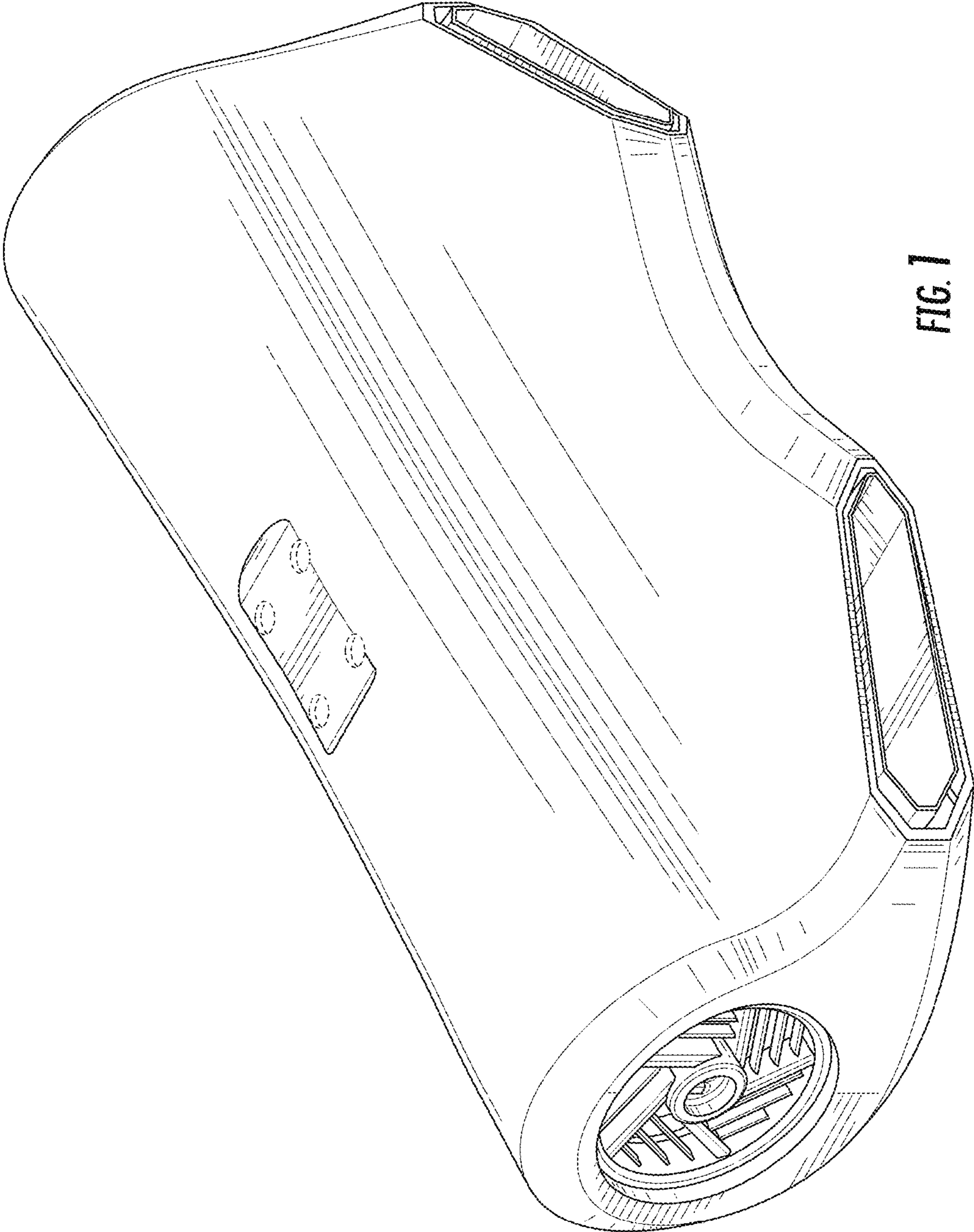


FIG. 1

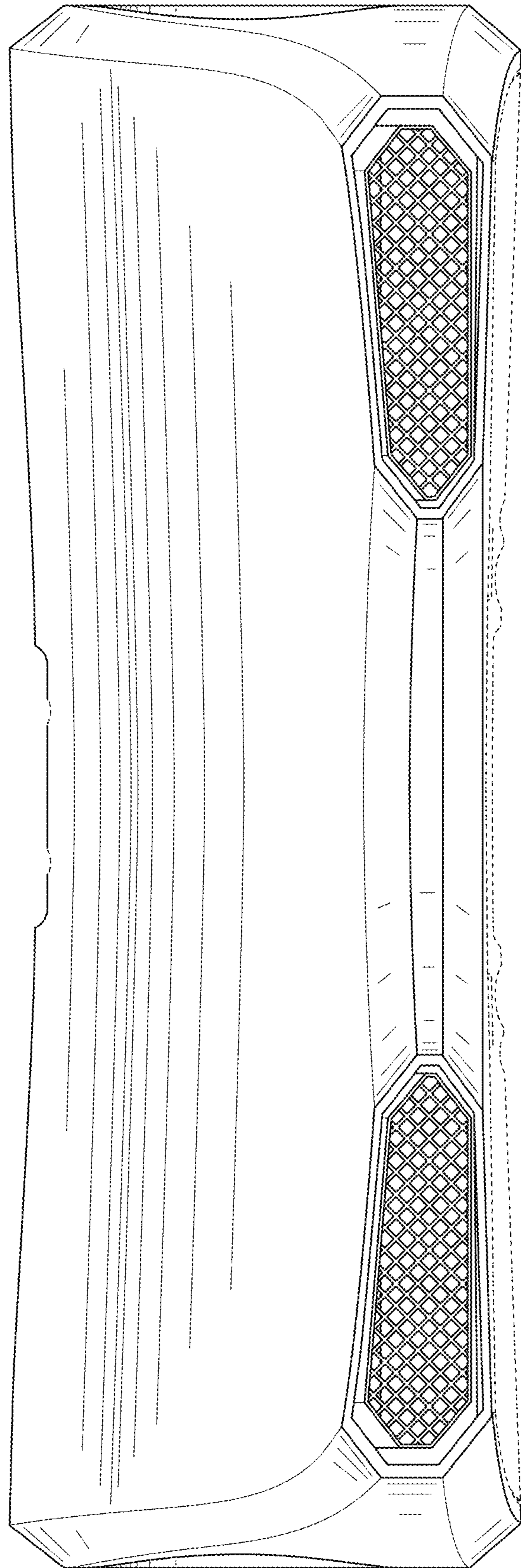


FIG. 2

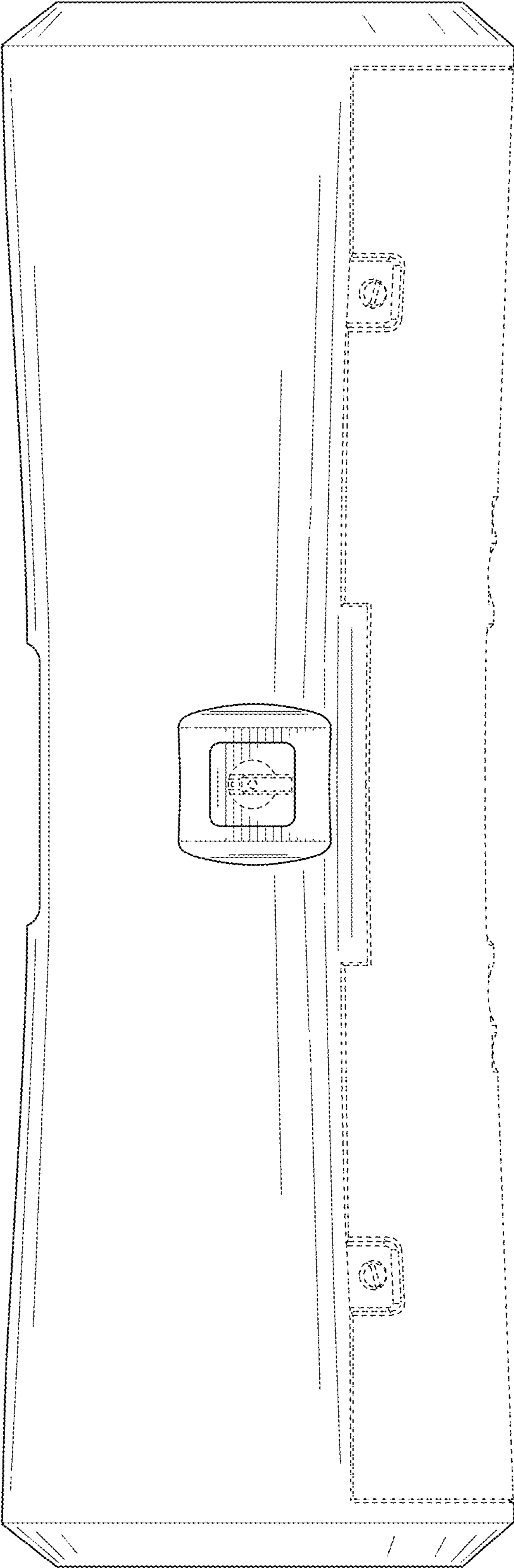


FIG. 3

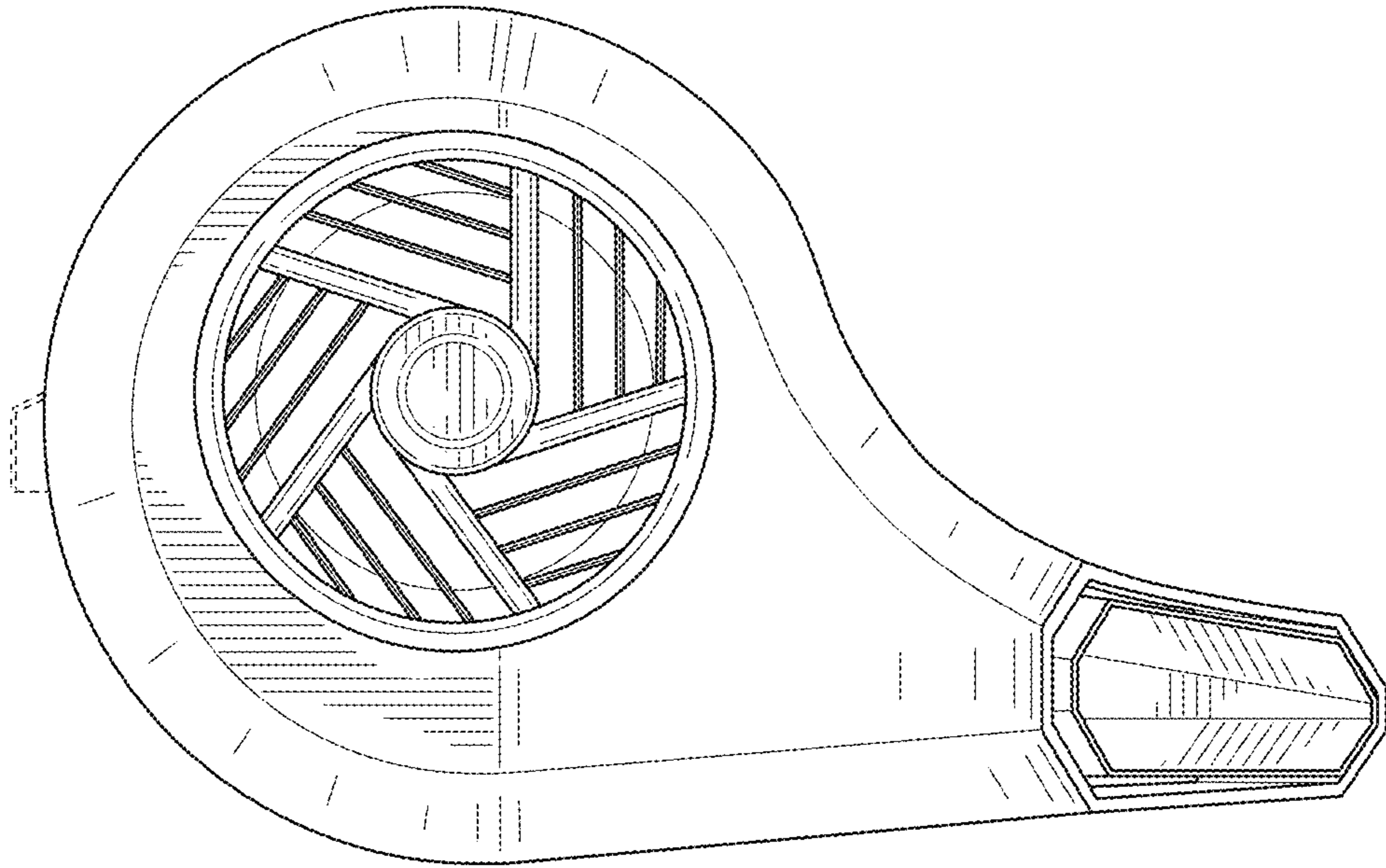


FIG. 4

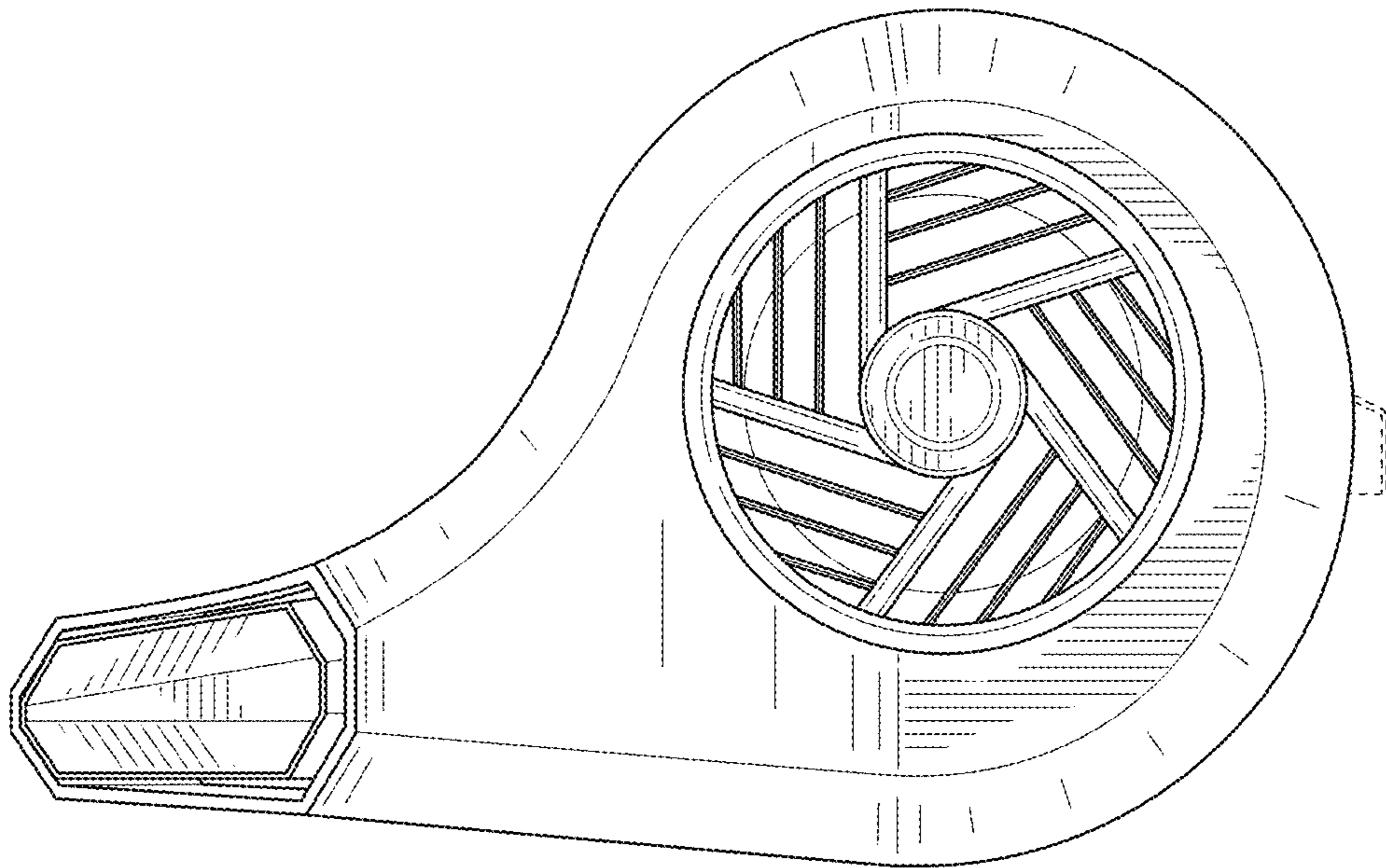


FIG. 5

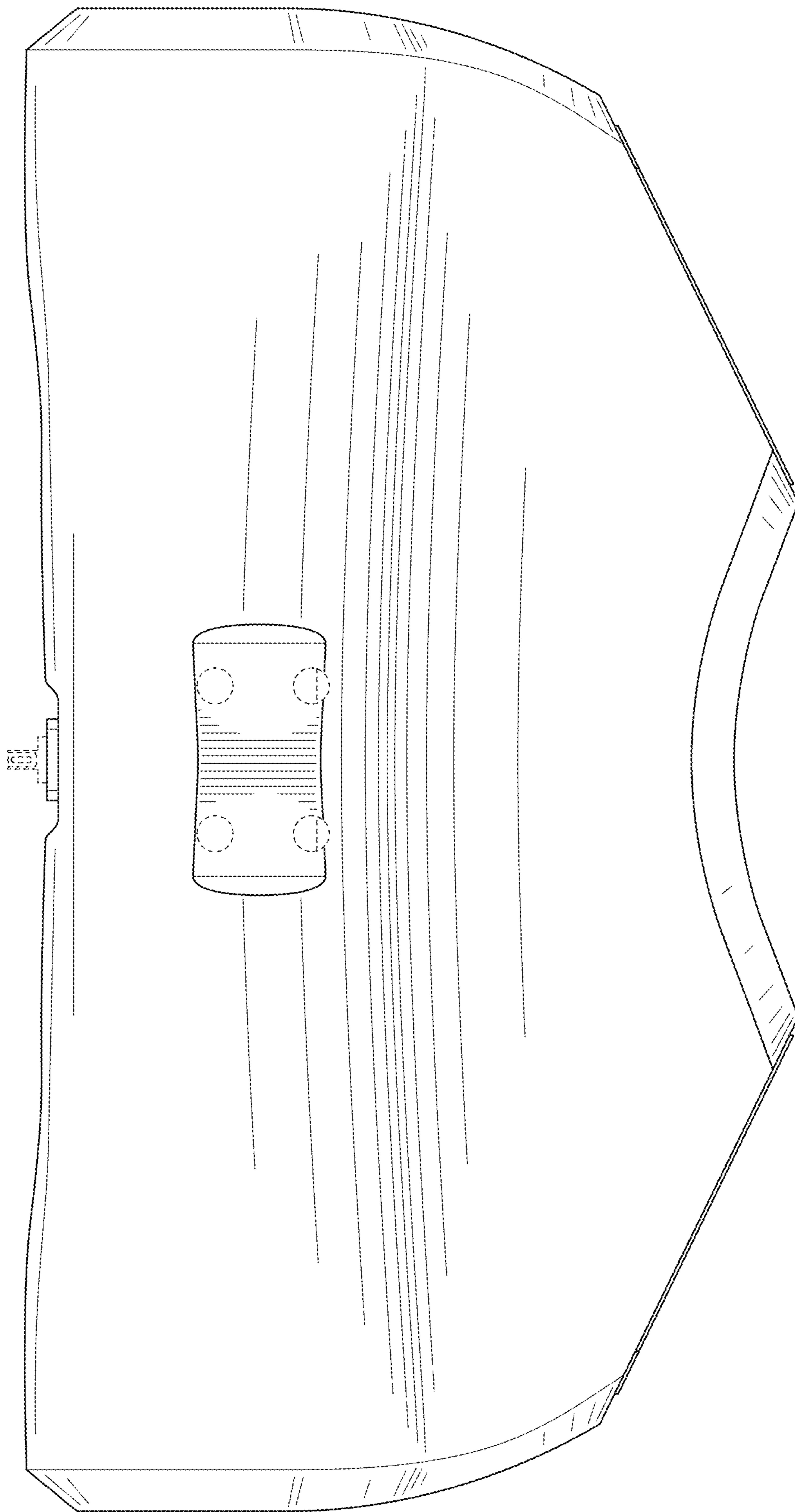


FIG. 6

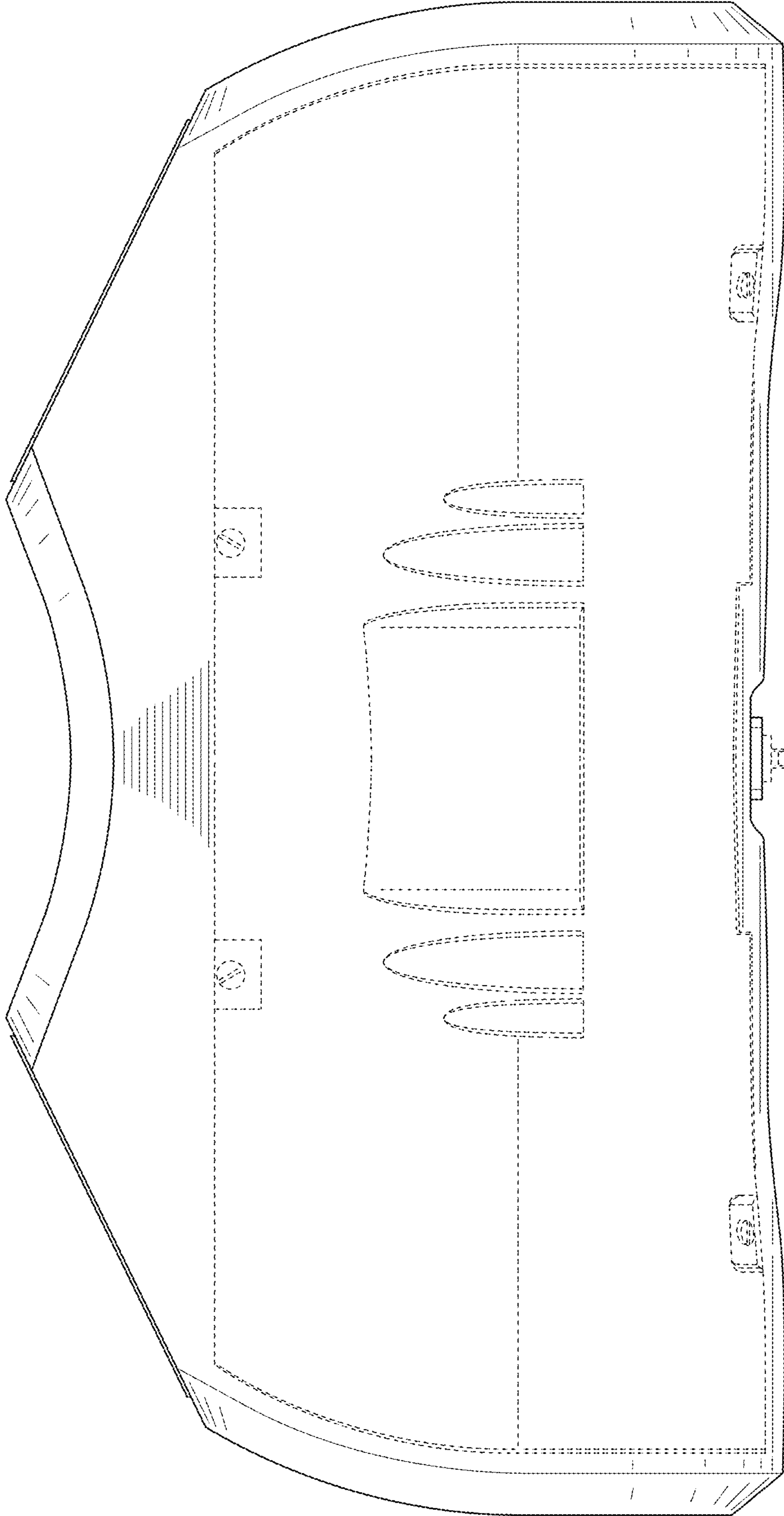


FIG. 7