



US00D771228S

(12) **United States Design Patent** (10) **Patent No.:** **US D771,228 S**
Heli (45) **Date of Patent:** **** Nov. 8, 2016**

(54) **FAN**

(71) Applicant: **Thomas Heli**, Langenburg (DE)

(72) Inventor: **Thomas Heli**, Langenburg (DE)

(73) Assignee: **EBM-PAPST MULFINGEN GMBH & CO. KG** (DE)

(**) Term: **14 Years**

(21) Appl. No.: **29/495,333**

(22) Filed: **Jun. 30, 2014**

(30) **Foreign Application Priority Data**

Dec. 30, 2013 (DE) 40 2013 101 299

(51) **LOC (10) Cl.** **23-04**

(52) **U.S. Cl.**

USPC **D23/370**

(58) **Field of Classification Search**

USPC D23/370-373, 376, 377, 379, 381-385, D23/388, 411-414, 324, 330, 332, 335, D23/353-355; D21/455, 458; 392/365, 367; 415/1, 127, 179, 182.1, 223; 416/62, 416/93 R, 100, 180, 182, 189, 190, 204 R, 416/219 R, 220 R, 244 R, 246, 247 R, 223 R; D13/175, 179; 310/67 R; 417/369, 417/423.7

CPC .. F04D 29/325; F04D 29/326; F04D 29/329; F04D 29/384; F04D 29/386; F04D 29/281; F04D 29/282; F04D 29/28; F04D 29/663; F04D 29/646; F04D 29/701; F04D 29/703; F04D 29/526; F04D 29/547; F04D 25/08; F04D 25/068; F04D 25/082

See application file for complete search history.

D513,530 S * 1/2006 Chen D23/379

D594,104 S * 6/2009 Sturm D23/377

D594,105 S * 6/2009 Sturm D23/377

D594,106 S * 6/2009 Sturm D23/377

D594,107 S * 6/2009 Sturm D23/377

D595,401 S * 6/2009 Sturm D23/377

D599,457 S * 9/2009 Spaggiari D23/370

D599,471 S * 9/2009 Borovicka D23/412

D606,647 S * 12/2009 Sturm D23/377

8,167,564 B2 * 5/2012 Streng F04D 29/388
416/204 R

D684,249 S * 6/2013 Herbst D23/370

8,974,199 B2 * 3/2015 Schmid F04D 29/662
417/423.7

D728,090 S * 4/2015 Haaf D23/370

D733,861 S * 7/2015 Haaf D23/370

2004/0047734 A1 * 3/2004 Nilson F04D 29/384
416/189

2005/0095121 A1 * 5/2005 Vithani F04D 29/626
415/121.2

2005/0186077 A1 * 8/2005 Lee F04D 29/30
416/179

2008/0240917 A1 * 10/2008 Eleftheriou F01D 5/22
415/213.1

2010/0247316 A1 * 9/2010 Aynsley F04D 29/34
416/189

2011/0150632 A1 * 6/2011 Heli B01D 46/001
415/121.2

2011/0200438 A1 * 8/2011 Ruckert F04D 25/0613
416/180

2011/0293415 A1 * 12/2011 He F04B 35/06
415/220

2013/0004349 A1 * 1/2013 Haaf F04D 29/329
417/423.7

2013/0017073 A1 * 1/2013 Sauer F04D 29/646
415/182.1

2013/0022479 A1 * 1/2013 Haaf F04D 25/082
417/369

2014/0252898 A1 * 9/2014 Sauer H02J 7/00
310/88

2015/0219117 A1 * 8/2015 Heli F04D 29/4226
415/178

2015/0226224 A1 * 8/2015 De Filippis F04D 25/068
417/423.14

(56) **References Cited**

U.S. PATENT DOCUMENTS

2,697,163 A * 12/1954 Spear F04D 29/646
219/213

4,838,151 A * 6/1989 Shin-Chin F04D 25/12
454/200

D466,603 S * 12/2002 Pustelnik D23/370

6,637,186 B1 * 10/2003 Van Duyn F01D 11/12
415/9

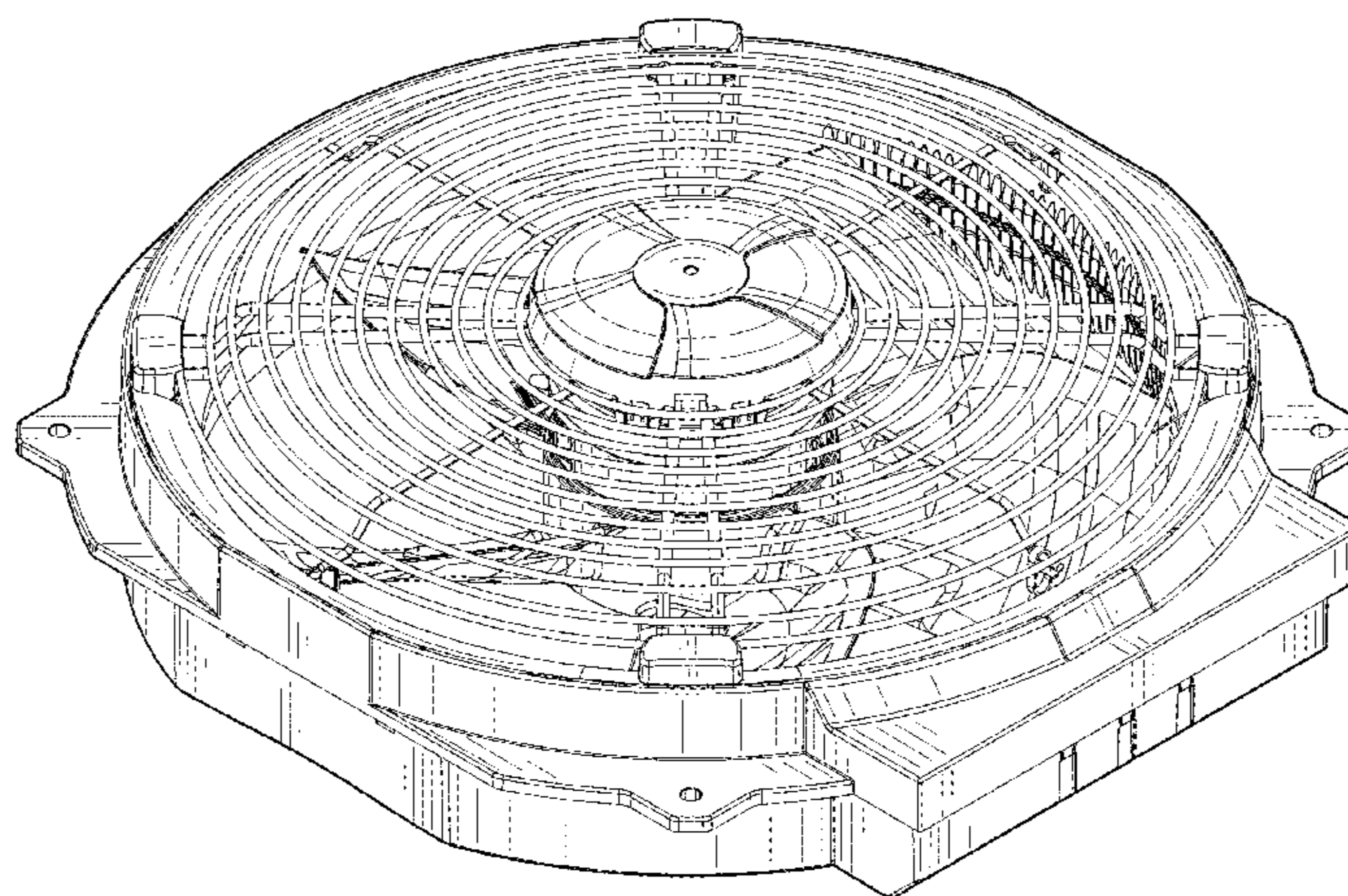
* cited by examiner

FOREIGN PATENT DOCUMENTS

DE WO 2006136585 A1 * 12/2006 F04D 25/0613

DE 102012109516 A1 * 4/2014 F04D 29/646

DE 102012109518 A1 * 4/2014 F04D 25/068



OTHER PUBLICATIONS

Papst Fans. (Design -© Questel). orbit.com [online PDF] 69 pages. Publish date ranges from: Jan. 3, 2014 to Feb. 18, 2015 [retrieved on Oct. 21, 2015]. Retrieved from Internet: <<http://sobjprd.questel.fr/export/QPTUJ214/pdf2/5ca76d12-c8ec-4eef-8bd2-f7fb5f327085-153343.pdf>>.*

Primary Examiner — Susan Bennett Hattan
Assistant Examiner — Marie Fast Horse
(74) *Attorney, Agent, or Firm* — Tarolli, Sundheim,
Covell & Tummino LLP

(57) **CLAIM**

I claim the ornamental design for a fan, as shown and described.

DESCRIPTION

FIG. 1 is a top perspective view of an embodiment of a fan comprising a new, original and ornamental design;
FIG. 2 is a bottom perspective view of the fan shown in FIG. 1;
FIG. 3 is a top plan view of the fan shown in FIG. 1;
FIG. 4 is a bottom plan view of the fan shown in FIG. 2;
FIG. 5 is a top side elevational view of the fan as viewed in FIG. 3;

FIG. 6 is a bottom side elevational view of the fan as viewed in FIG. 3;

FIG. 7 is a right side elevational view of the fan as viewed in FIG. 3;

FIG. 8 is a left side elevational view of the fan as viewed in FIG. 3;

FIG. 9 is a top perspective view of a shroud member shown separately from the fan of FIG. 1 for clarity of disclosure;
FIG. 10 is a bottom perspective view of the fan shroud shown in FIG. 9;

FIG. 11 is a top plan view of the shroud shown in FIG. 9;
FIG. 12 is a bottom plan view of the shroud shown in FIG. 10;

FIG. 13 is a top side elevational view of the shroud as viewed in FIG. 11;

FIG. 14 is a bottom side elevational view of the shroud as viewed in FIG. 11;

FIG. 15 is a right side elevational view of the shroud as viewed in FIG. 11; and,

FIG. 16 is a left side elevational view of the shroud as viewed in FIG. 11.

The broken lines in the Figures depict parts of the fan that form no part of the claimed design.

1 Claim, 12 Drawing Sheets

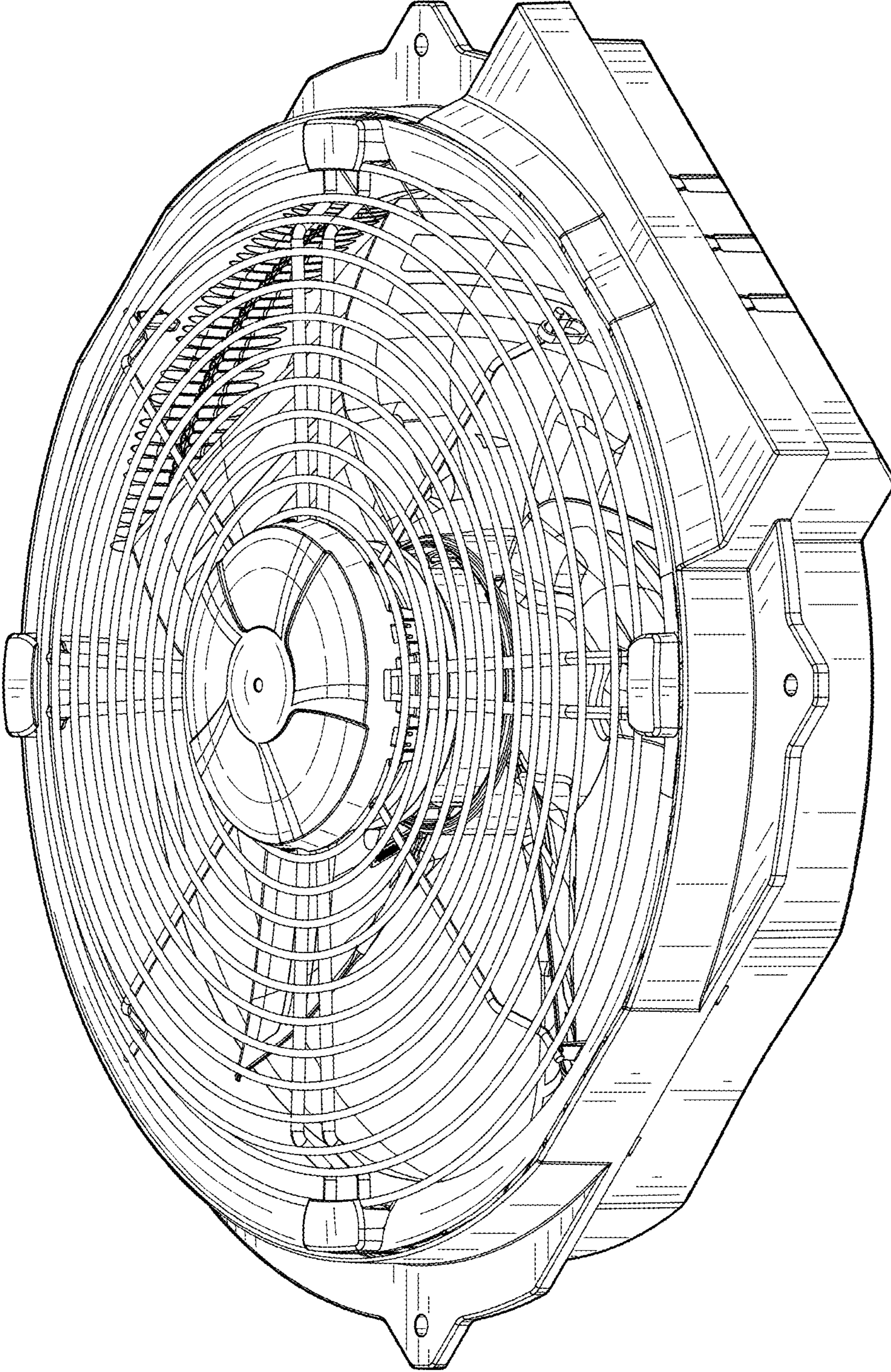


FIG. 1

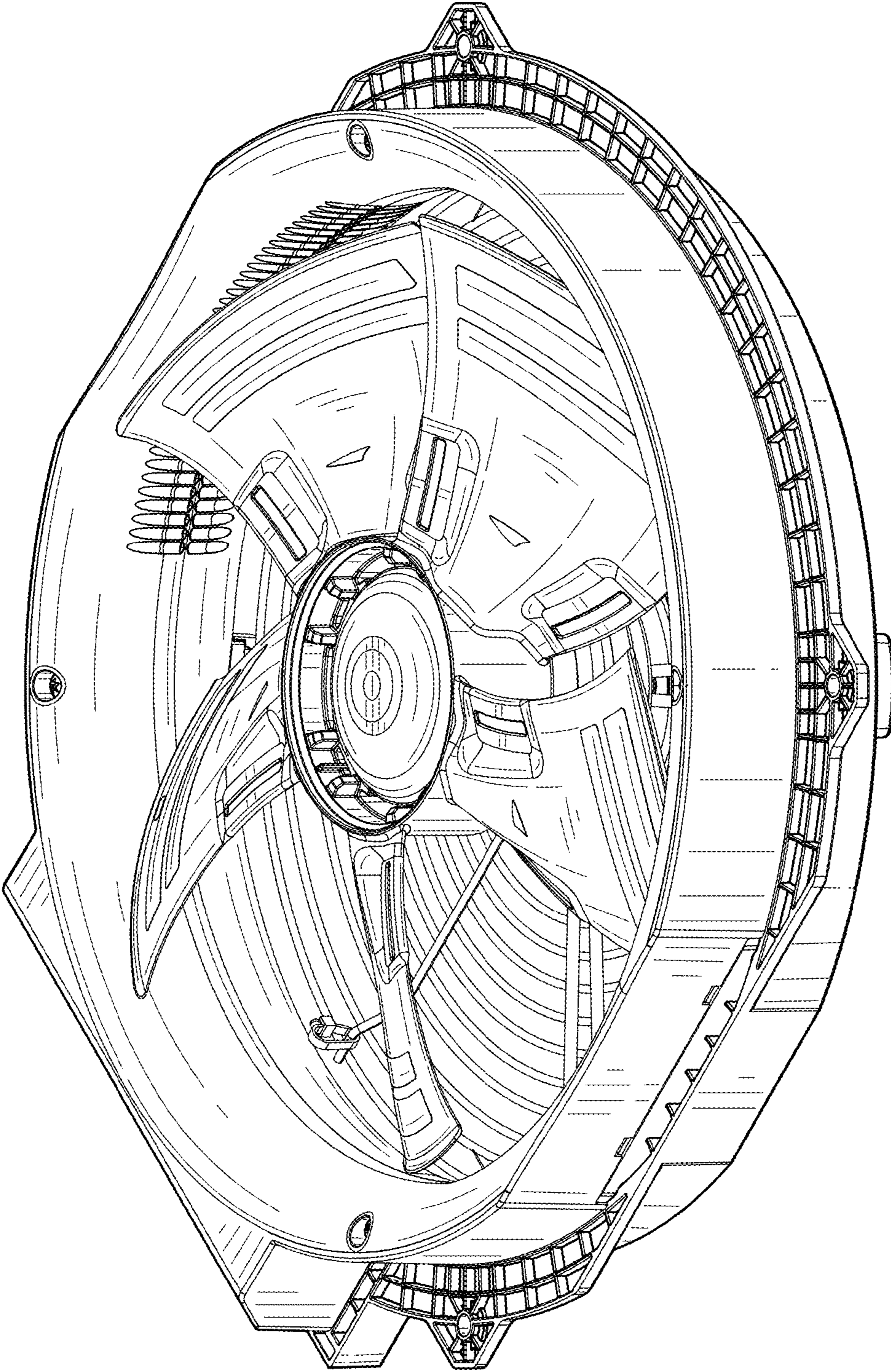


FIG. 2

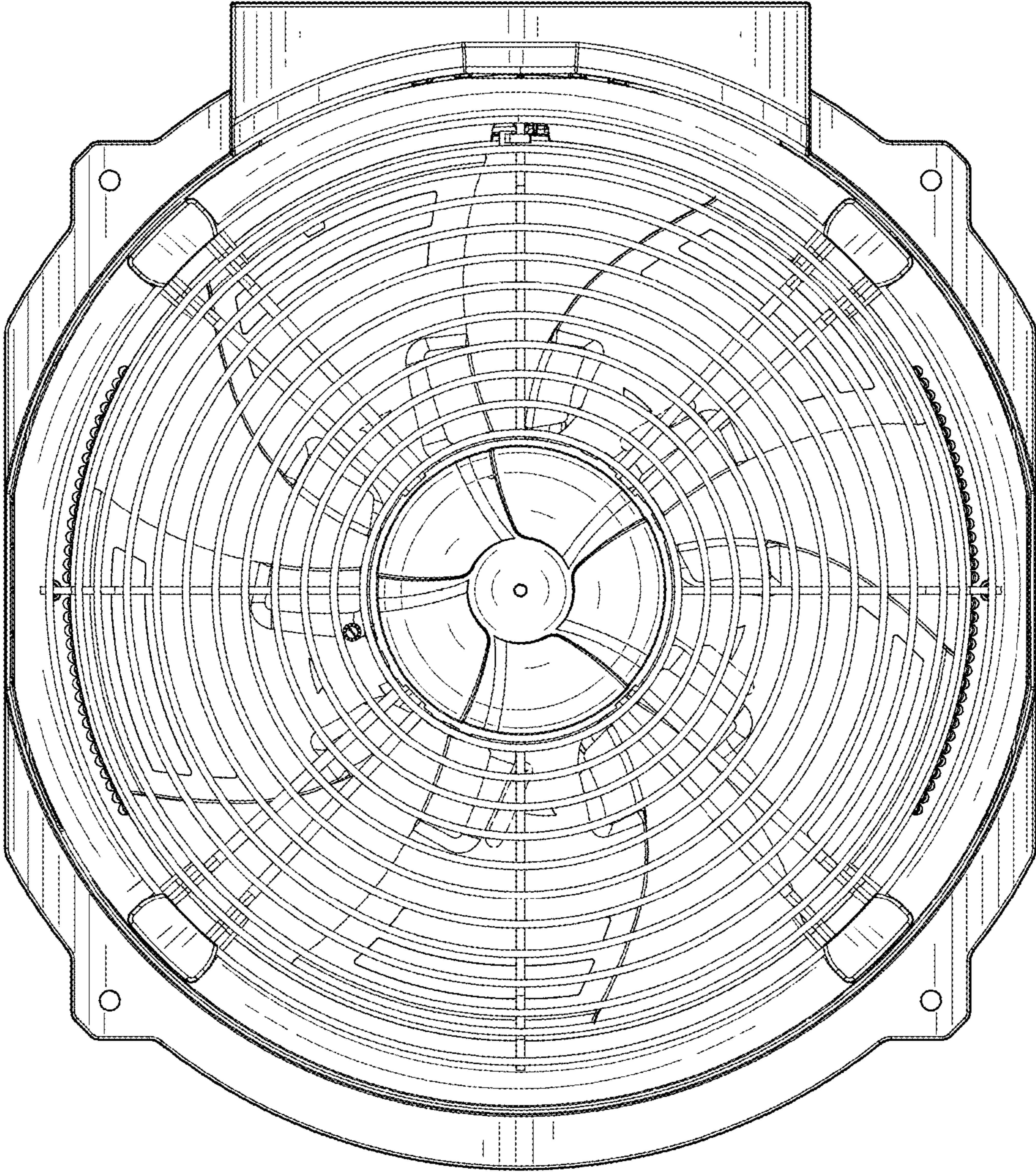


FIG. 3

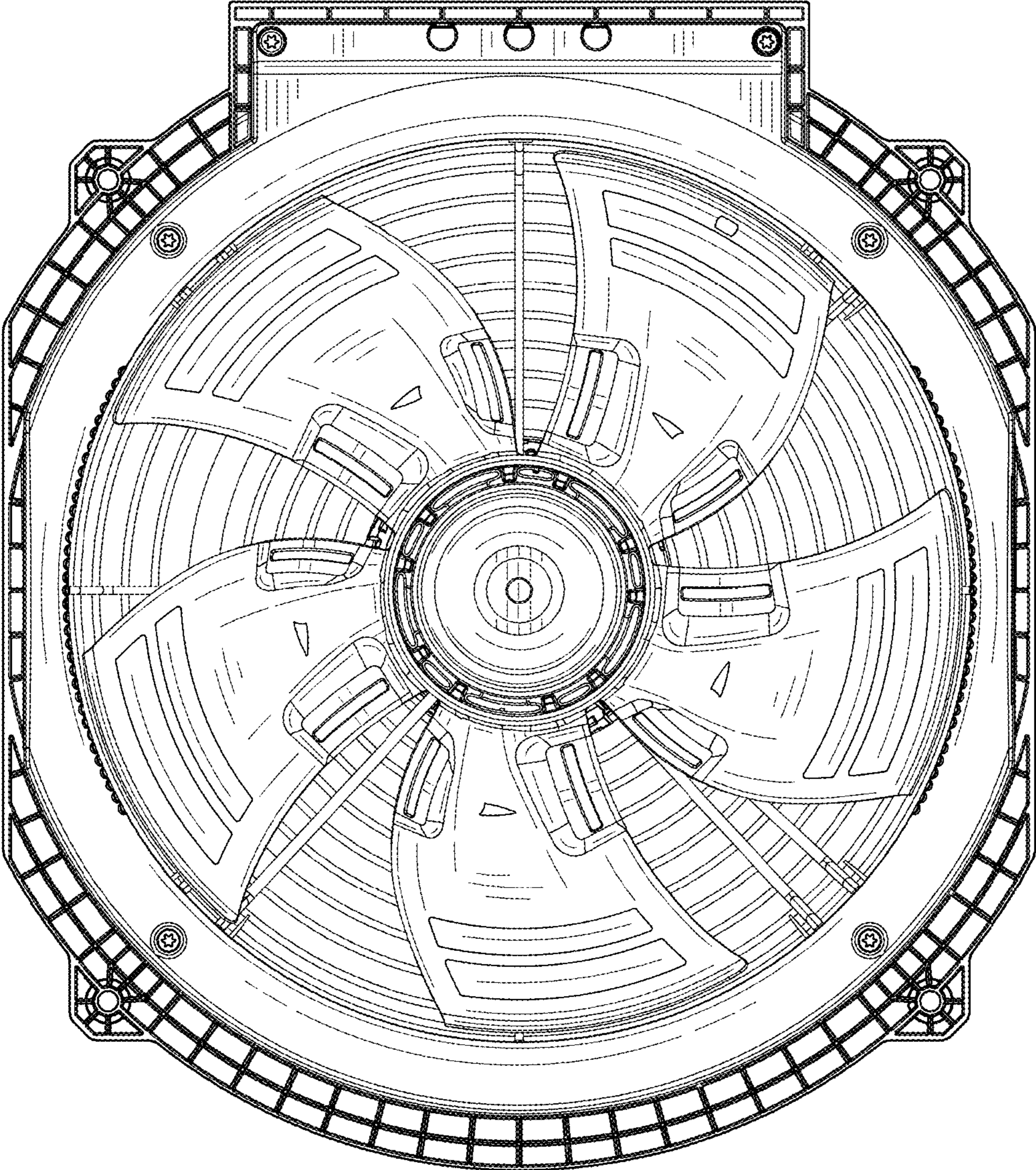


FIG. 4

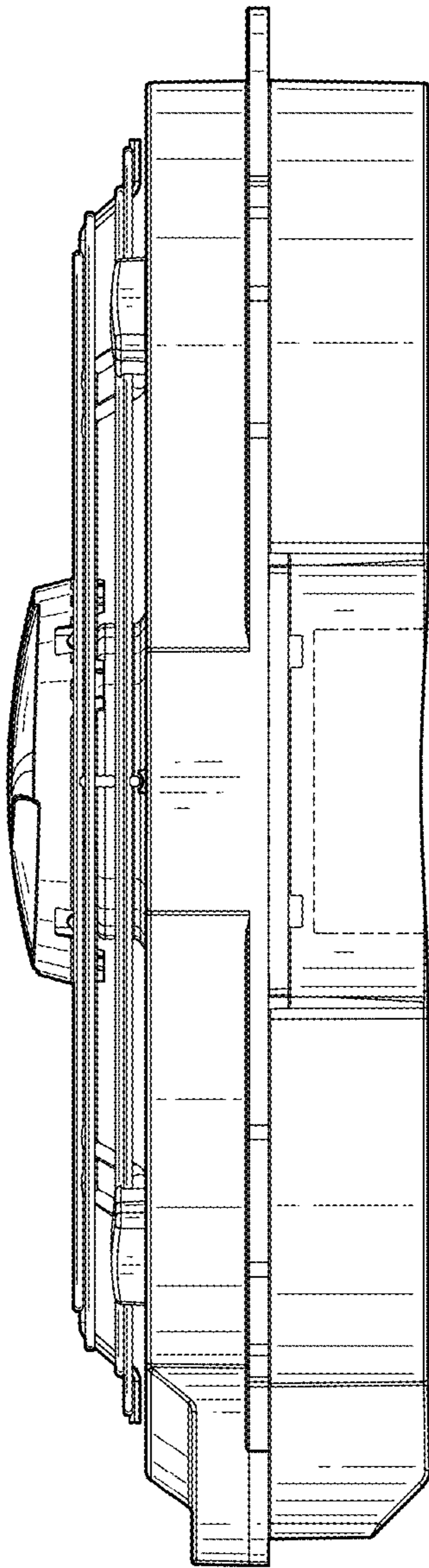


FIG. 5

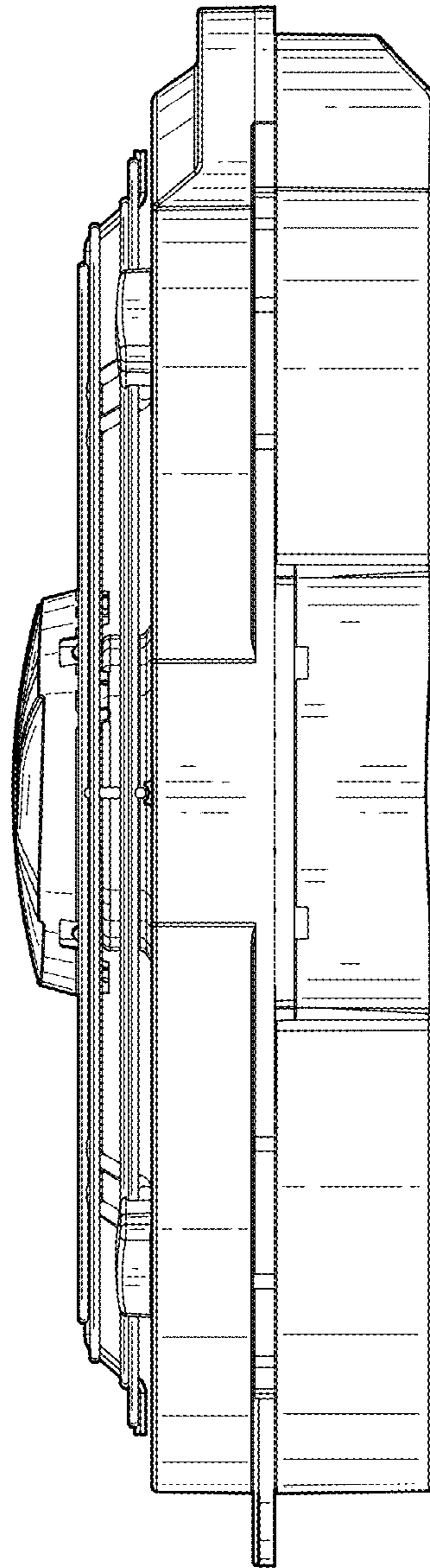


FIG. 6

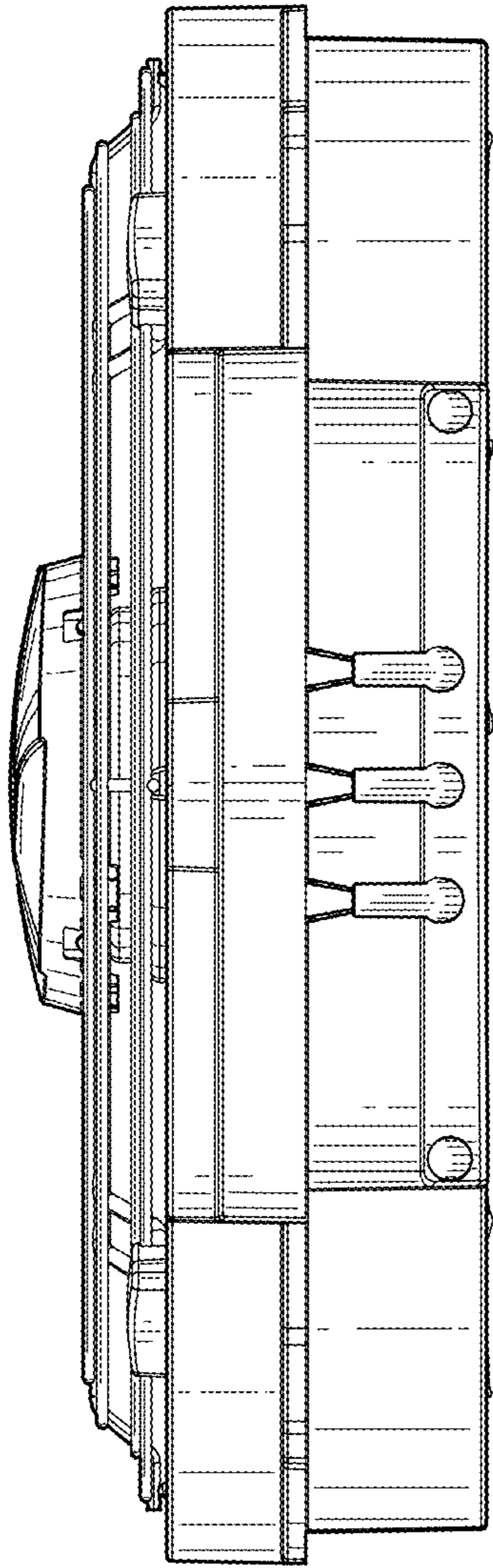


FIG. 7

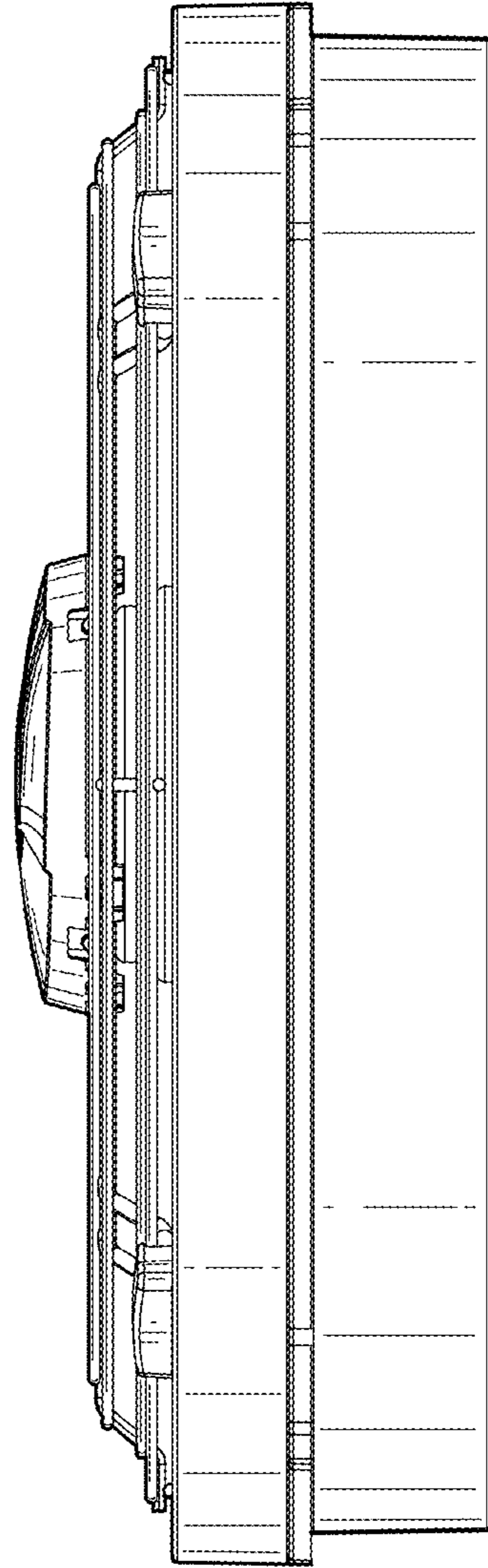


FIG. 8

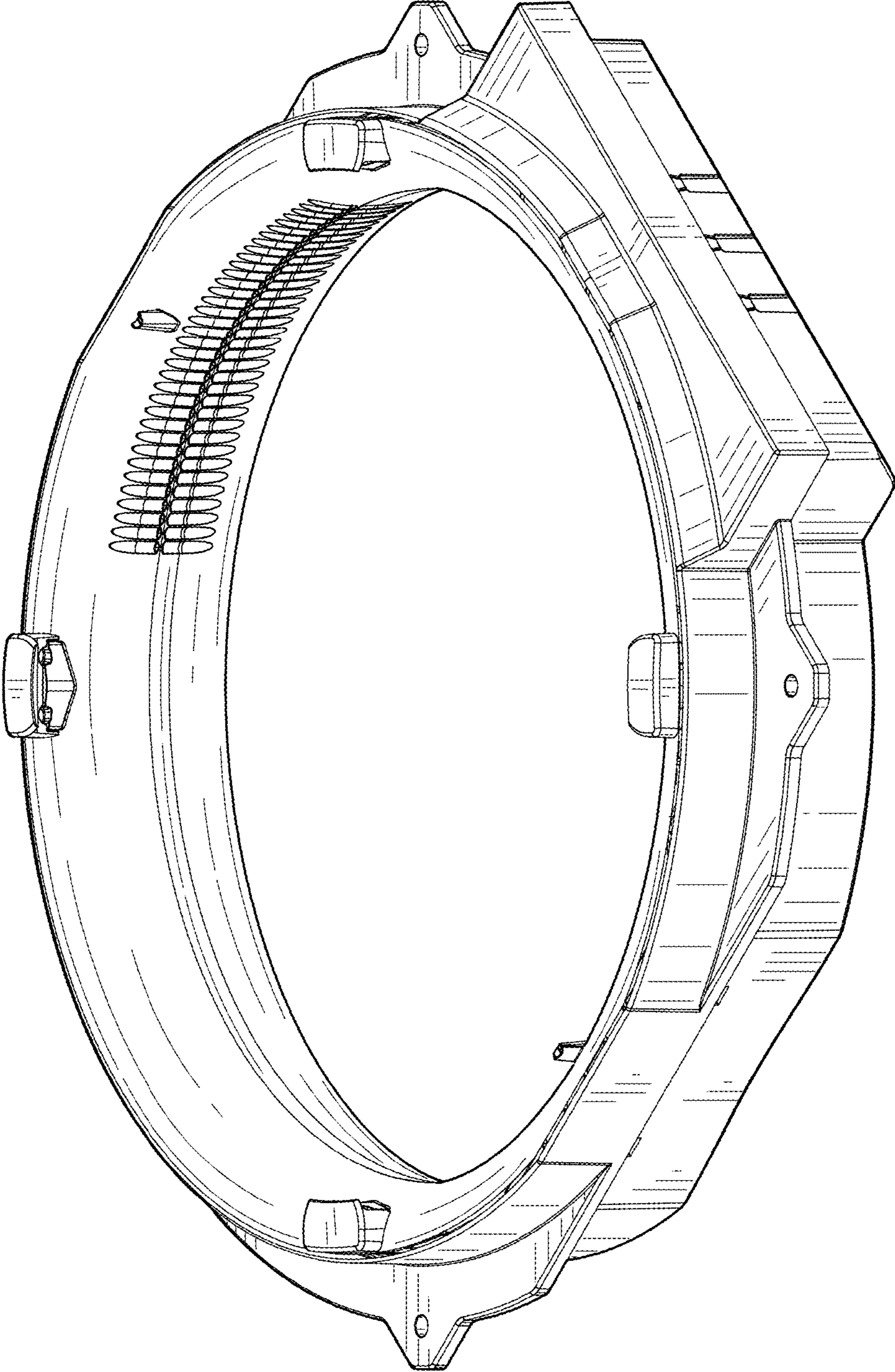


FIG. 9

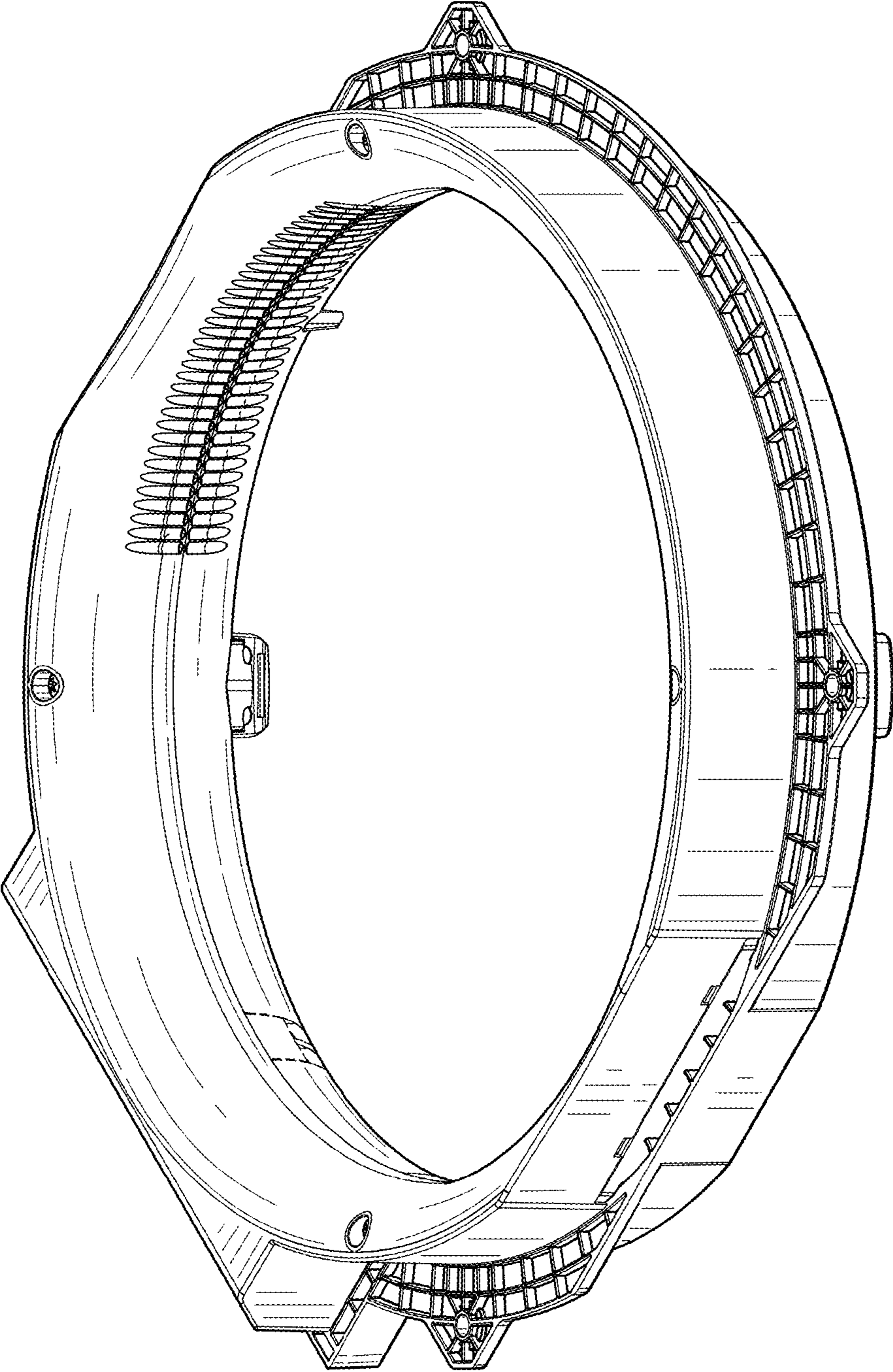


FIG. 10

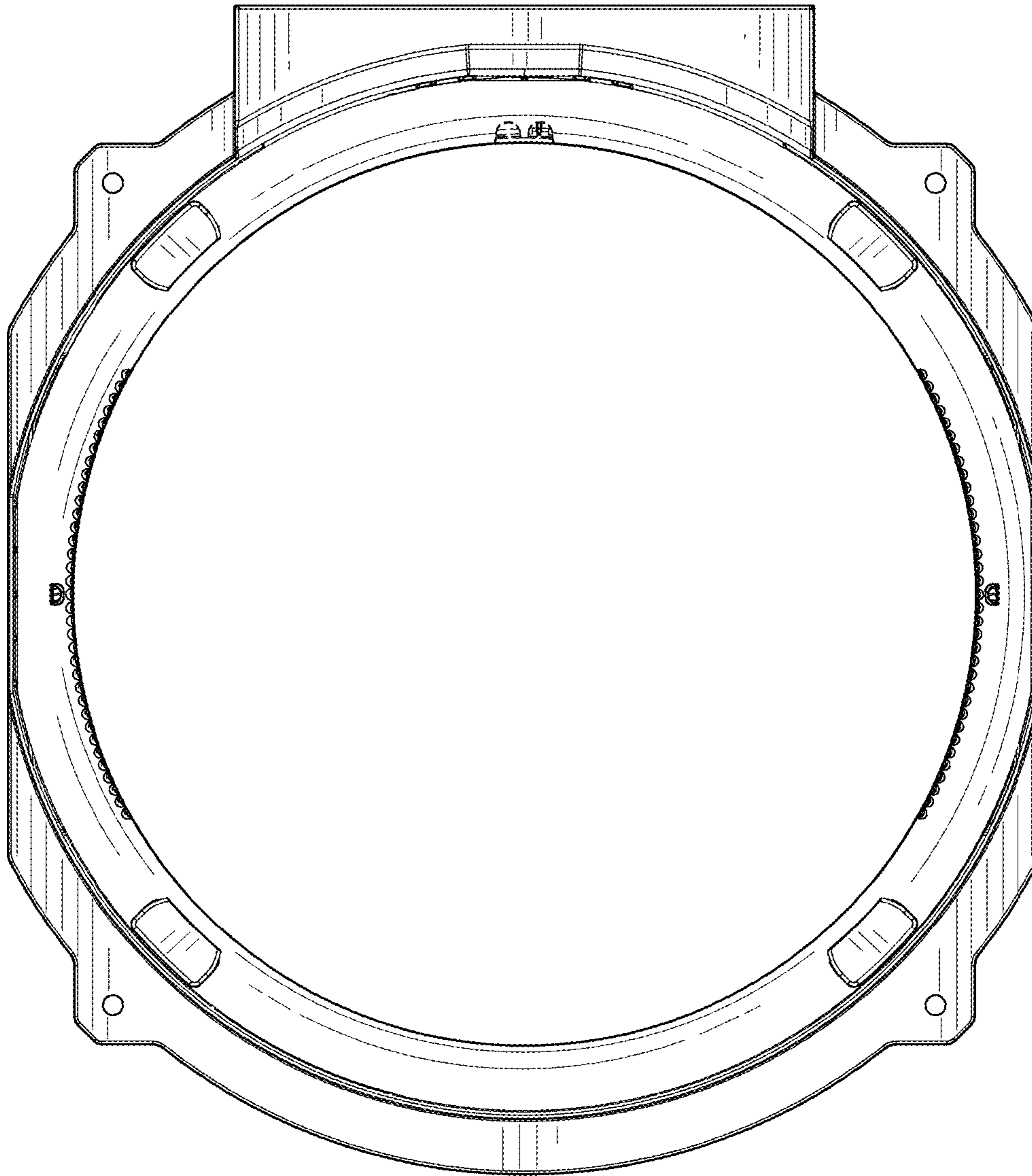


FIG. 11

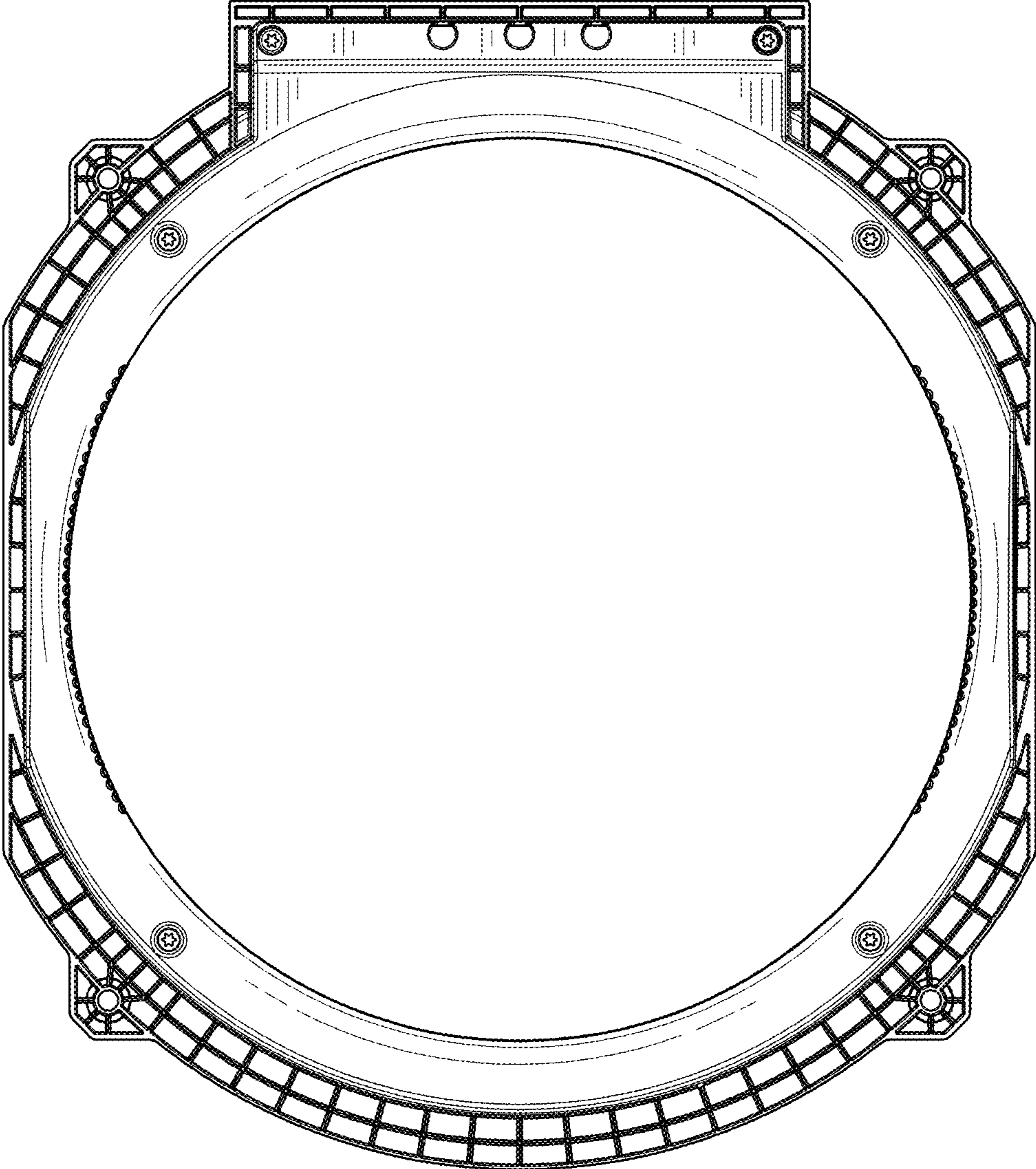


FIG. 12

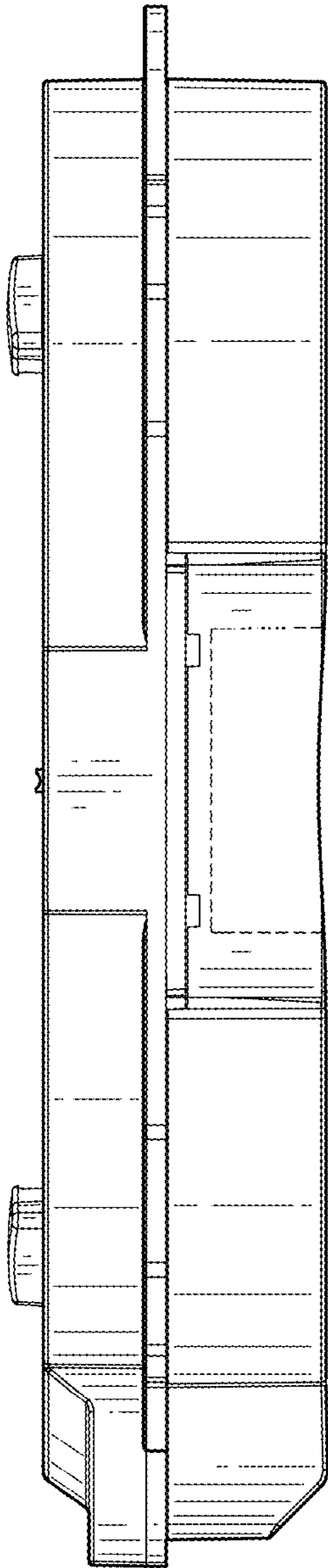


FIG. 13

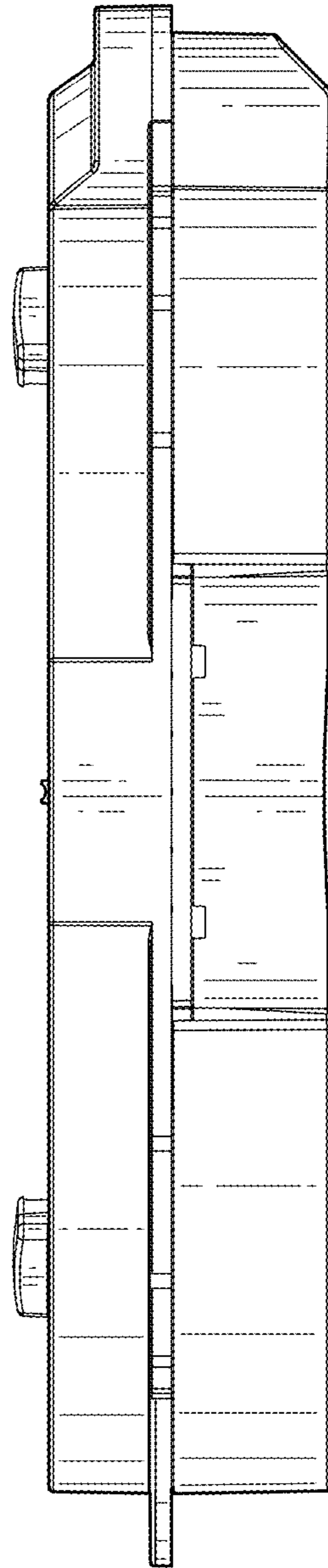


FIG. 14

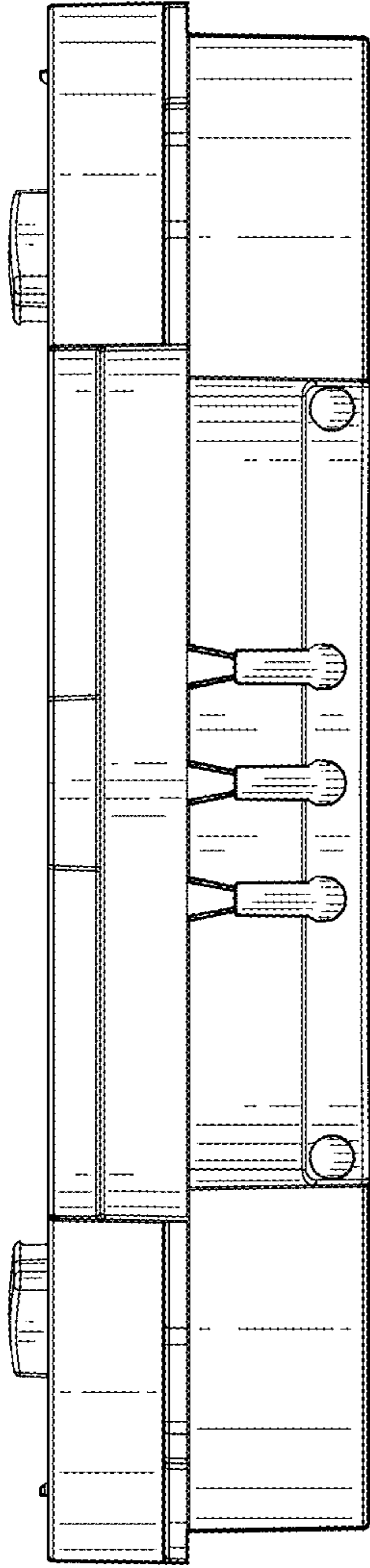


FIG. 15

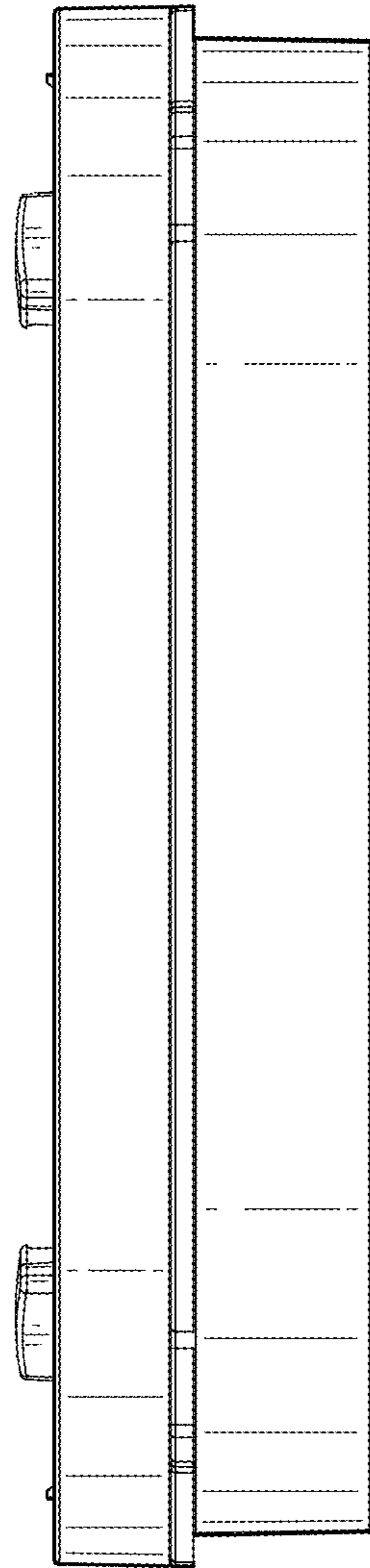


FIG. 16