



US00D771223S

(12) **United States Design Patent** (10) **Patent No.:** **US D771,223 S**  
**Rycroft** (45) **Date of Patent:** **\*\* Nov. 8, 2016**

(54) **VALVE** D676,942 S 2/2013 Kluss et al.  
D676,943 S 2/2013 Kluss et al.  
(71) Applicant: **GSA Industries (Aust.) Pty. Ltd.,** D690,390 S \* 9/2013 Garm ..... D23/233  
Melbourne (AU) D693,429 S 11/2013 Thibodeaux, Jr.  
D698,010 S \* 1/2014 Boyer ..... D23/235  
(72) Inventor: **Alexander Neal Rycroft,** Petrie Terrace D705,396 S \* 5/2014 Roden ..... D23/233  
(AU) D720,048 S \* 12/2014 Winborn ..... D23/233  
D722,362 S 2/2015 Kluss et al.  
D722,363 S 2/2015 Kluss et al.  
(73) Assignee: **Reliance Worldwide Corporation** D746,951 S \* 1/2016 Gledhill ..... D23/259  
**(Aust.) Pty. Ltd.,** Melbourne (AU) D746,954 S \* 1/2016 Gledhill ..... D23/259  
D750,744 S \* 3/2016 Liljeqvist ..... D23/233

(\*\*) Term: **14 Years**

**FOREIGN PATENT DOCUMENTS**

(21) Appl. No.: **29/520,837**

EP 0897082 A1 2/1999

(22) Filed: **Mar. 18, 2015**

\* cited by examiner

(30) **Foreign Application Priority Data**

*Primary Examiner* — Cynthia Ramirez  
*Assistant Examiner* — Gino Colan

Sep. 22, 2014 (AU) ..... 201414812

(74) *Attorney, Agent, or Firm* — Bush Intellectual  
Property Law; Kenneth M. Bush

(51) **LOC (10) Cl.** ..... **23-01**

(52) **U.S. Cl.** ..... **D23/233**

USPC ..... **D23/233**

(58) **Field of Classification Search**

(57) **CLAIM**

The ornamental design for a valve, as shown and described.

USPC ..... D23/233–250, 259, 266; 137/488, 12,  
137/14, 15.19, 493, 486, 505.11, 557, 227,  
137/558, 883, 109, 115.16, 118.01, 226;  
251/12, 129.06, 113, 325

**DESCRIPTION**

CPC ..... F16K 31/12; F16K 1/307; F16K 1/305  
See application file for complete search history.

FIG. 1 is a front perspective view of the valve showing my  
new design;  
FIG. 2 is a rear perspective view thereof;  
FIG. 3 is a front elevational view thereof;  
FIG. 4 is a rear elevational view thereof;  
FIG. 5 is a left elevational view thereof;  
FIG. 6 is a right elevational view thereof;  
FIG. 7 is a top plan view thereof; and,  
FIG. 8 is a bottom plan view thereof.

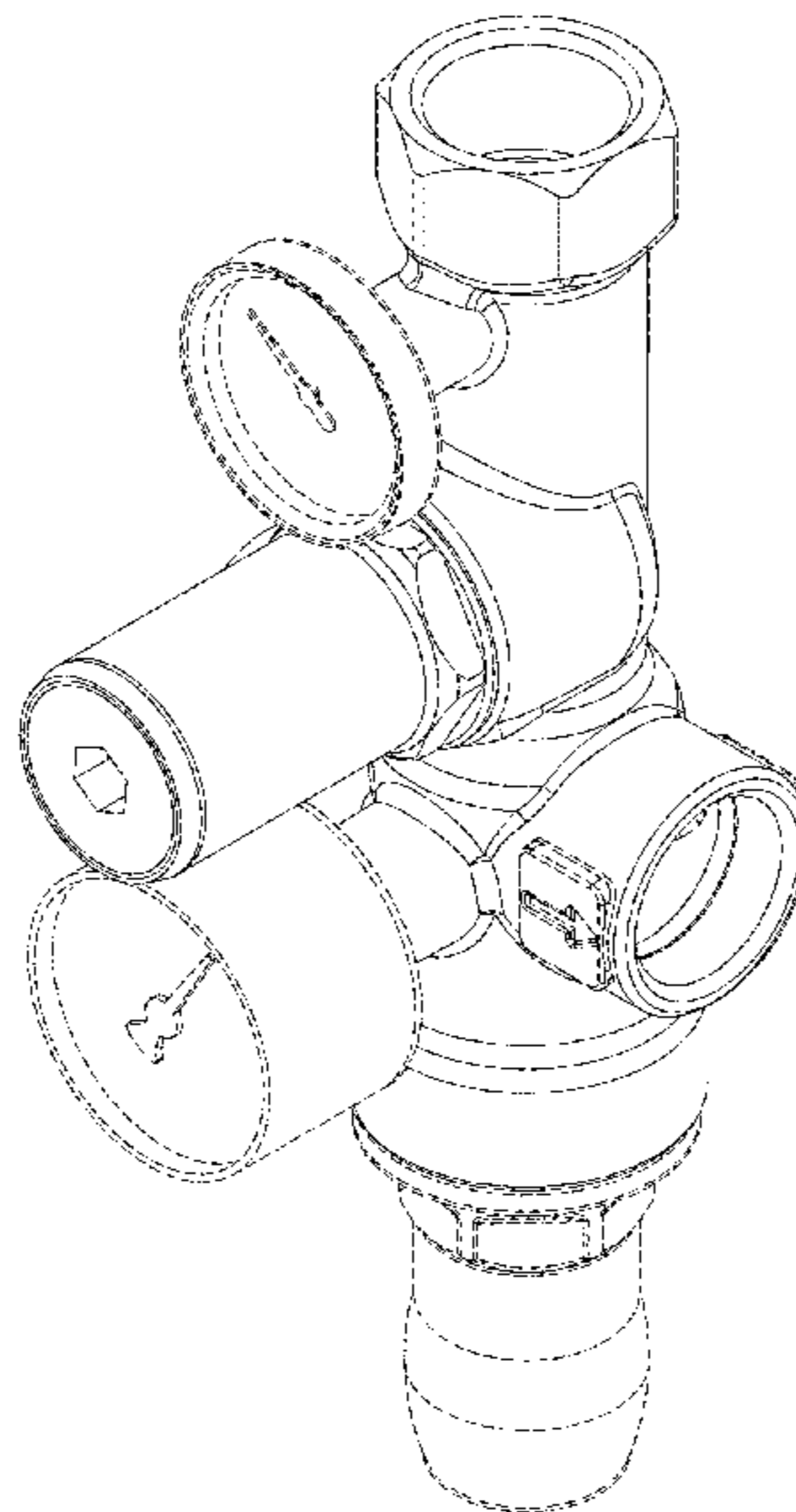
(56) **References Cited**

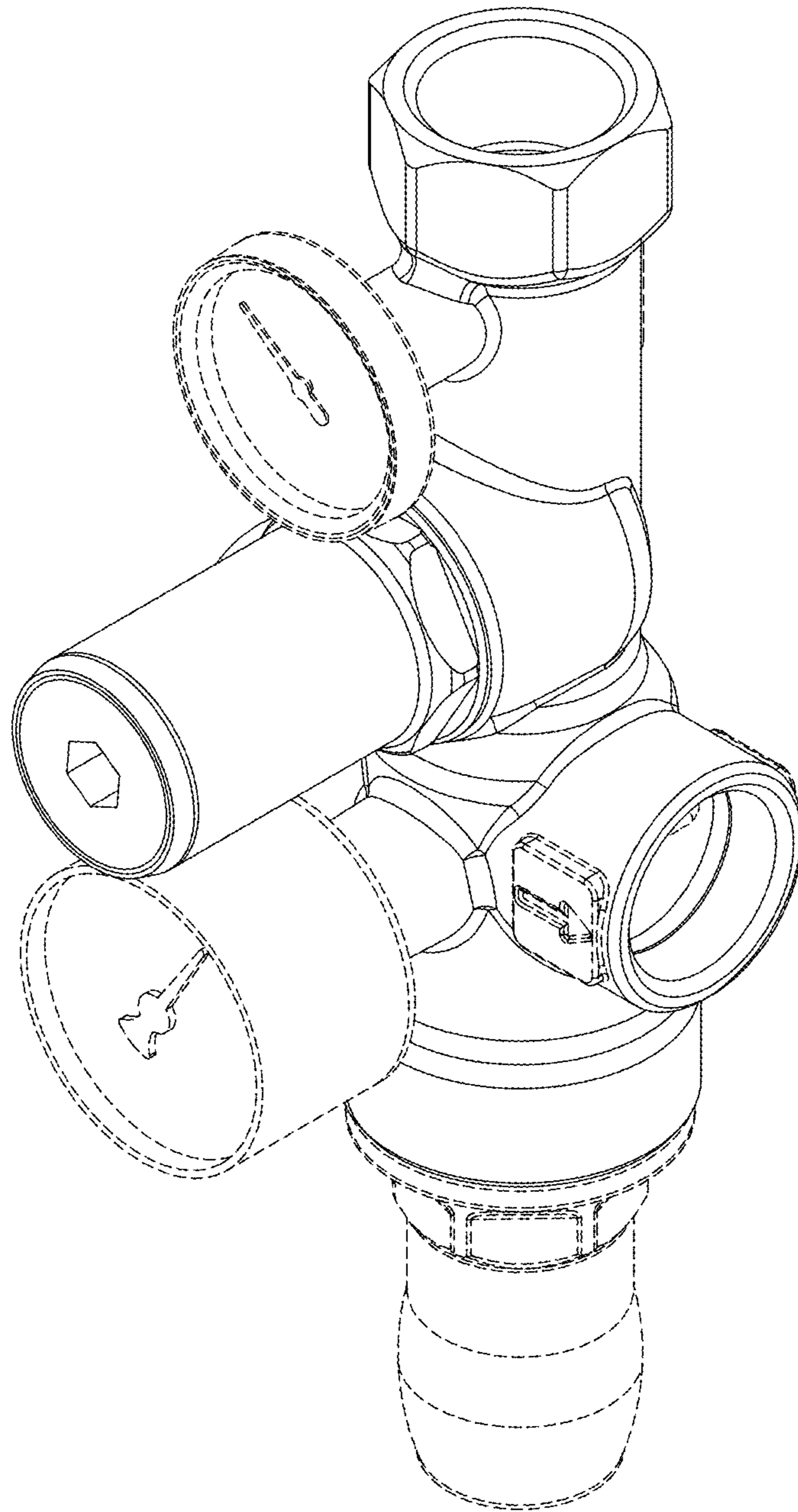
The broken lines in the drawings are included for the  
purpose of illustrating portions of the valve and form no part  
of the claimed design.

**U.S. PATENT DOCUMENTS**

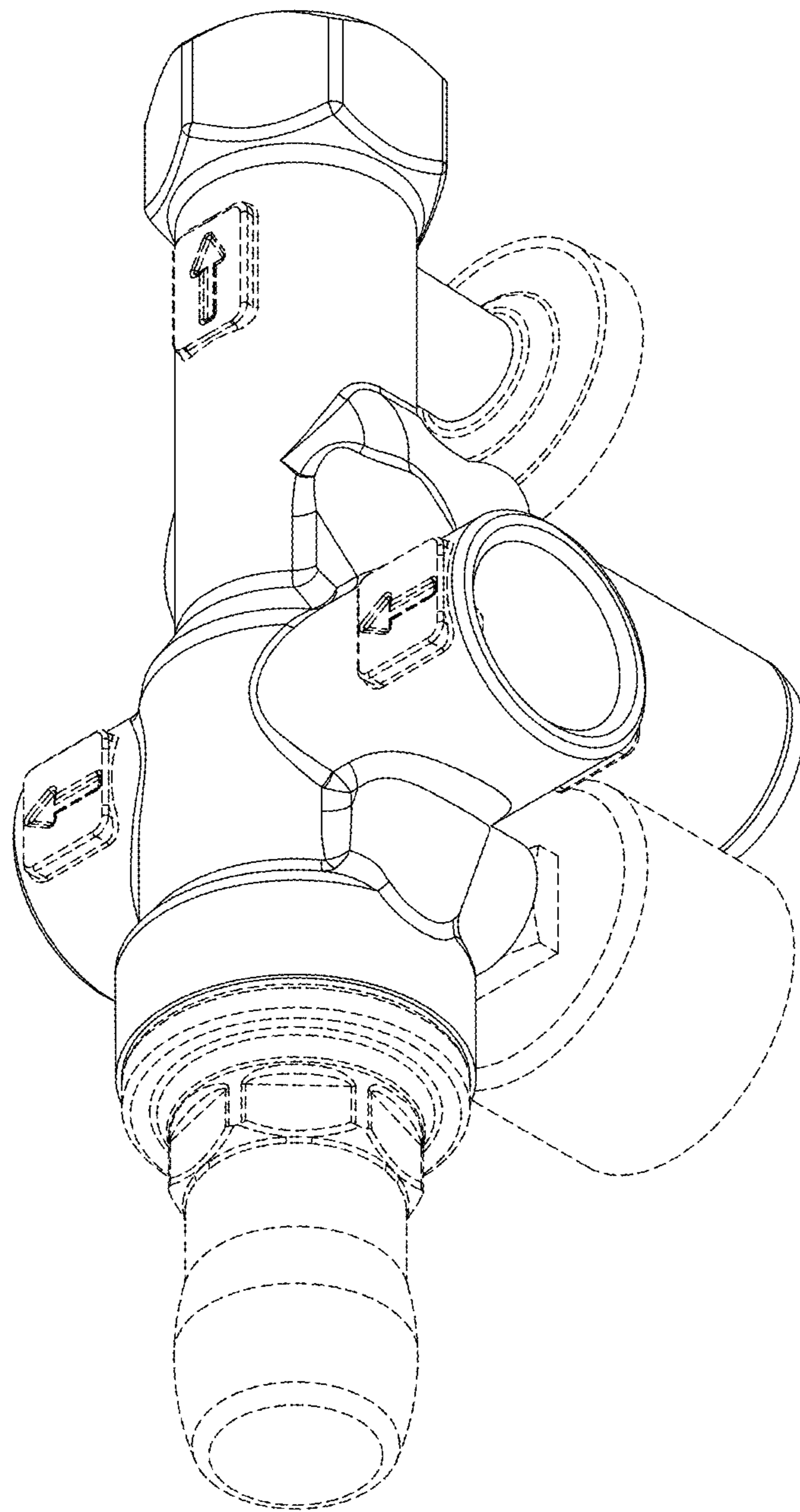
D545,406 S \* 6/2007 Surinak ..... D23/266  
D667,930 S \* 9/2012 Yamada ..... D23/233  
8,322,755 B2 12/2012 Kluss et al.  
8,327,871 B1 12/2012 Franklin et al.  
D676,940 S 2/2013 Kluss et al.  
D676,941 S 2/2013 Kluss et al.

**1 Claim, 7 Drawing Sheets**

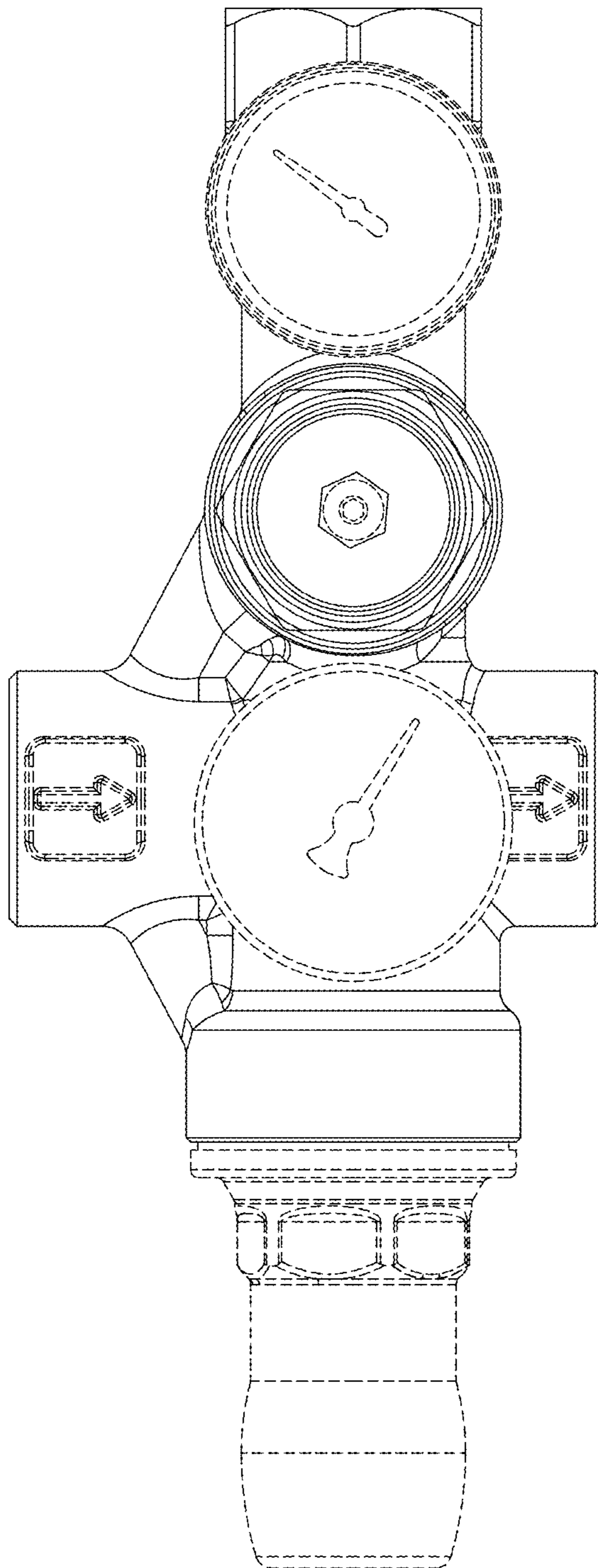




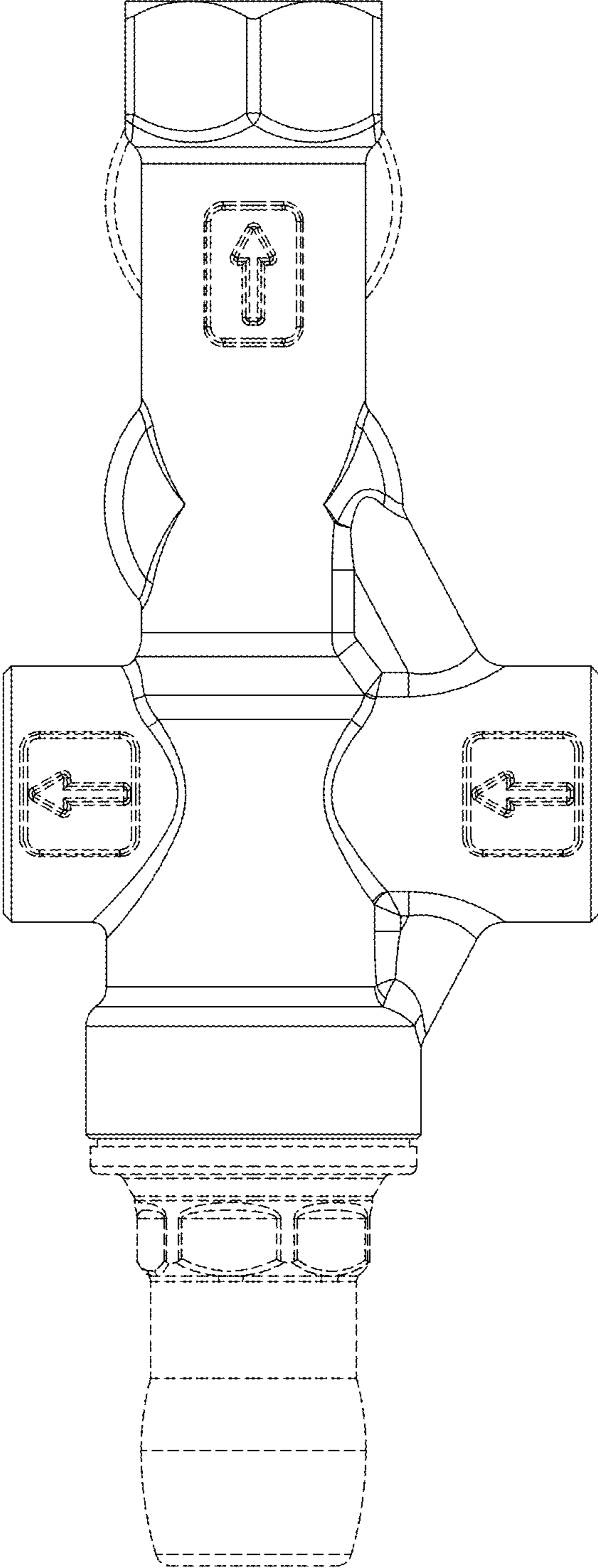
**FIG. 1**



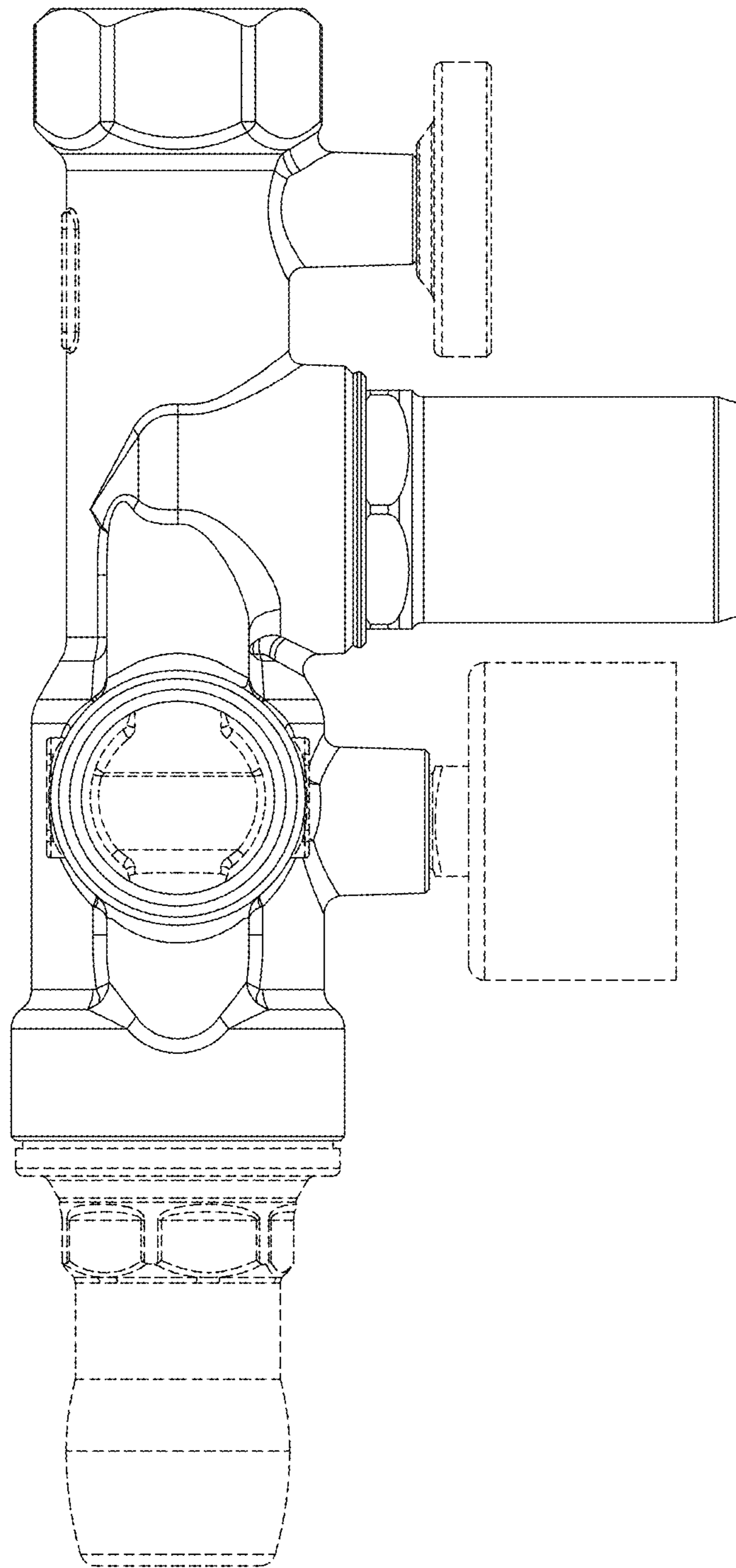
**FIG. 2**



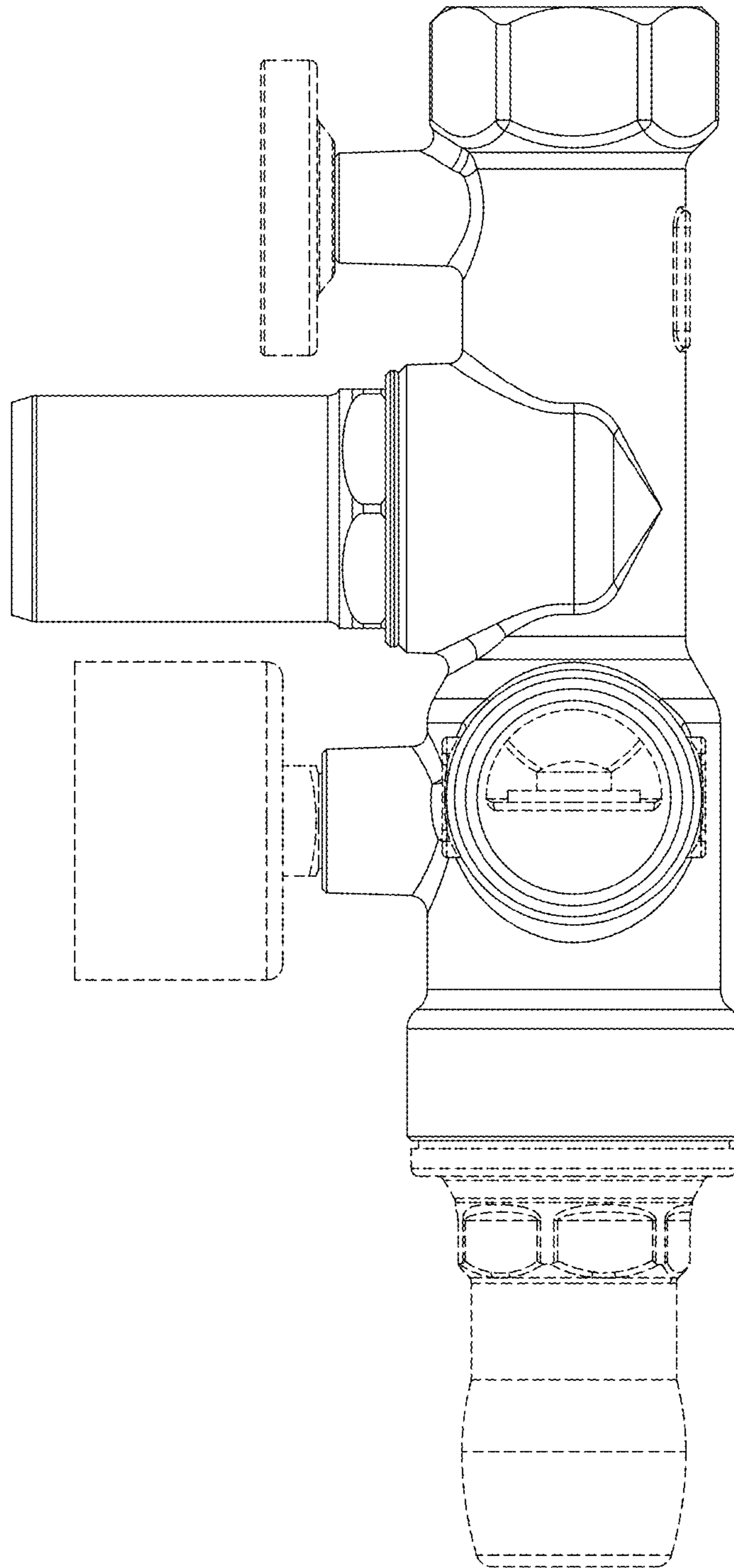
**FIG. 3**



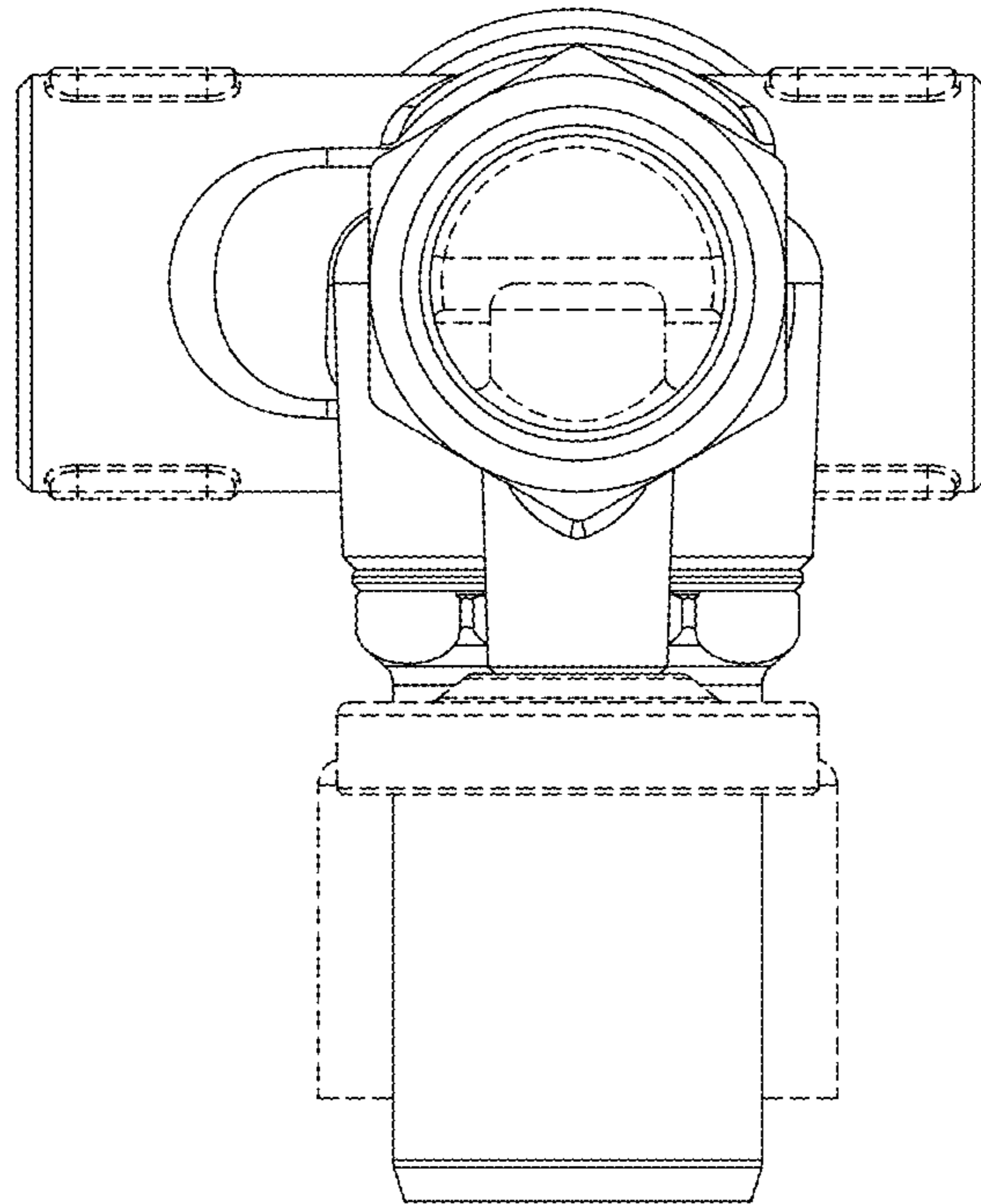
**FIG. 4**



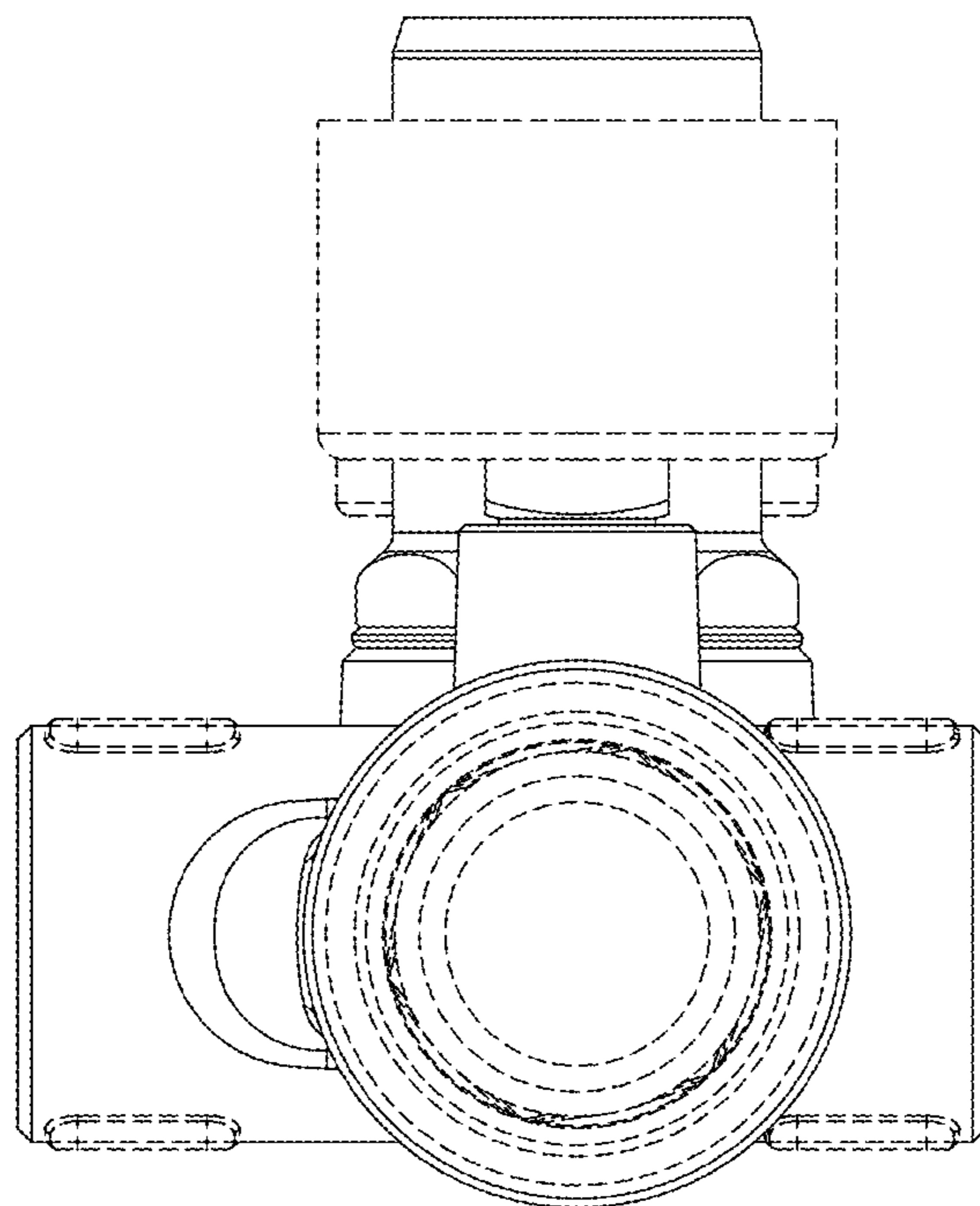
**FIG. 5**



**FIG. 6**



**FIG. 7**



**FIG. 8**