



US00D771222S

(12) **United States Design Patent**
Pellin et al.

(10) **Patent No.:** **US D771,222 S**
(45) **Date of Patent:** **** Nov. 8, 2016**

(54) **PROTECTIVE COATINGS SPRAYER**
(71) Applicant: **Graco Minnesota Inc.**, Minneapolis, MN (US)
(72) Inventors: **Christopher J. Pellin**, Burnsville, MN (US); **Jeffrey N. Velgersdyk**, Minnetonka, MN (US); **Tyler A. Salminen**, Nowthen, MN (US); **Jared D. Blaisdell**, Blaine, MN (US)

7,980,487 B2 * 7/2011 Mirazita B05B 7/0093
239/146
8,371,592 B2 * 2/2013 Feitel B05B 9/007
248/139
8,602,323 B2 * 12/2013 Bearup B62B 1/12
239/146
9,033,258 B2 * 5/2015 Schwab B08B 3/026
239/146
D734,832 S * 7/2015 Velgersdyk D23/225
D746,408 S * 12/2015 Benson D15/13

(73) Assignee: **Graco Minnesota Inc.**, Minneapolis, MN (US)

(**) Term: **15 Years**

(21) Appl. No.: **29/530,974**

(22) Filed: **Jun. 22, 2015**

(51) **LOC (10) Cl.** **23-01**

(52) **U.S. Cl.**
USPC **D23/225**

(58) **Field of Classification Search**
USPC D23/213, 225; D15/22, 26; 239/146,
239/147, 150; 280/47.17
CPC B05B 9/007
See application file for complete search history.

(56) **References Cited**

U.S. PATENT DOCUMENTS

6,070,808 A * 6/2000 Kildow A01M 7/0035
239/146
D572,795 S * 7/2008 Kieffer D23/225
D616,064 S * 5/2010 Mattson D23/225

OTHER PUBLICATIONS

Graco's "Electric Sprayers" brochure published May, 2011, see 1095/1595 models on p. 22.
Graco's GH 'Big Rig' brochure published Oct. 2013, see pp. 3 and 5.

* cited by examiner

Primary Examiner — Robin V Webster

(74) *Attorney, Agent, or Firm* — Douglas B. Farrow

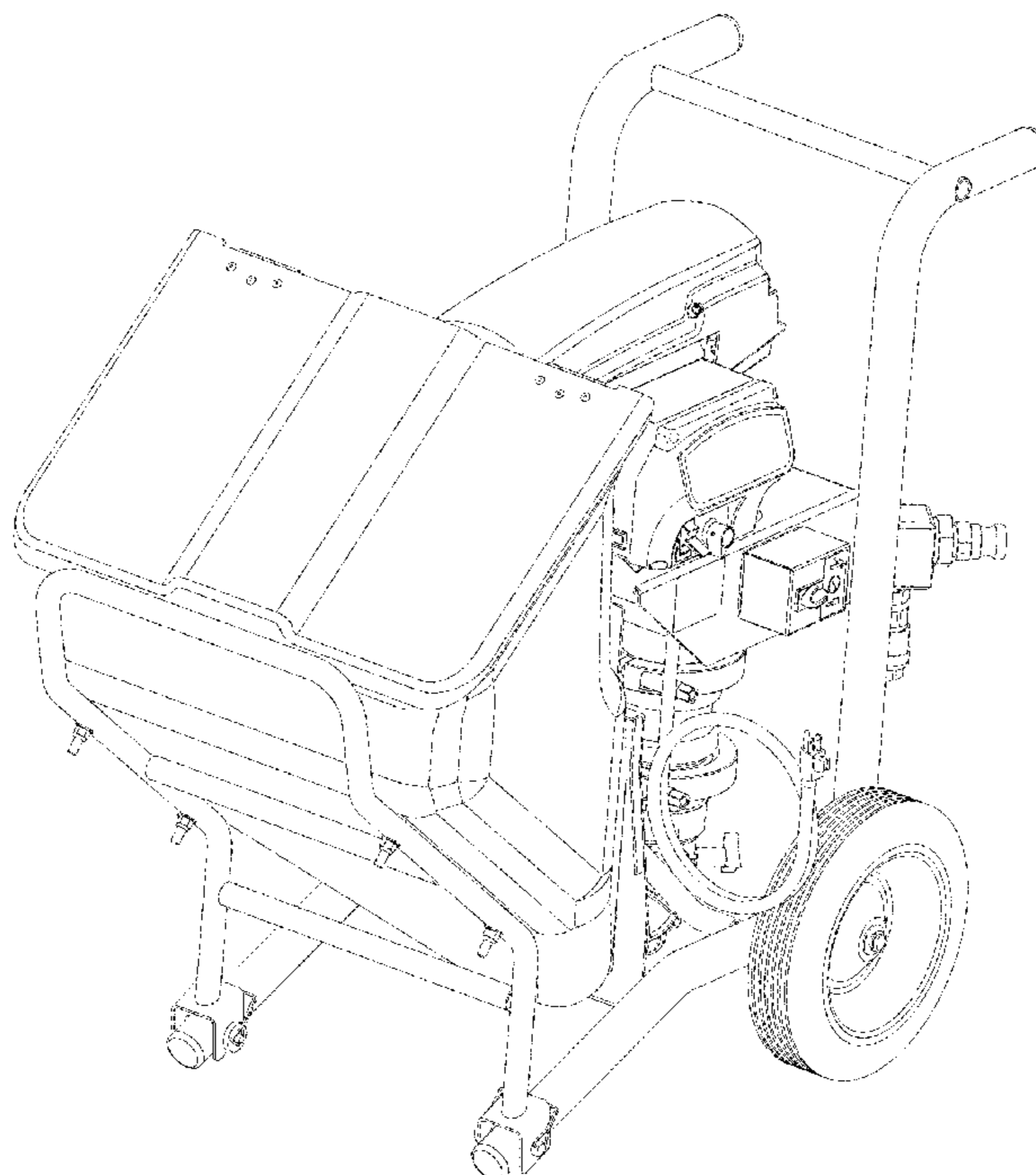
(57) **CLAIM**

The ornamental design for a protective coatings sprayer, as shown and described.

DESCRIPTION

FIG. 1 is a front right isometric view of a protective coatings sprayer;
FIG. 2 is a front view thereof;
FIG. 3 is a left view thereof;
FIG. 4 is a rear view thereof;
FIG. 5 is a right side view thereof;
FIG. 6 is a top view thereof; and,
FIG. 7 is a bottom view of a protective coatings sprayer.

1 Claim, 7 Drawing Sheets



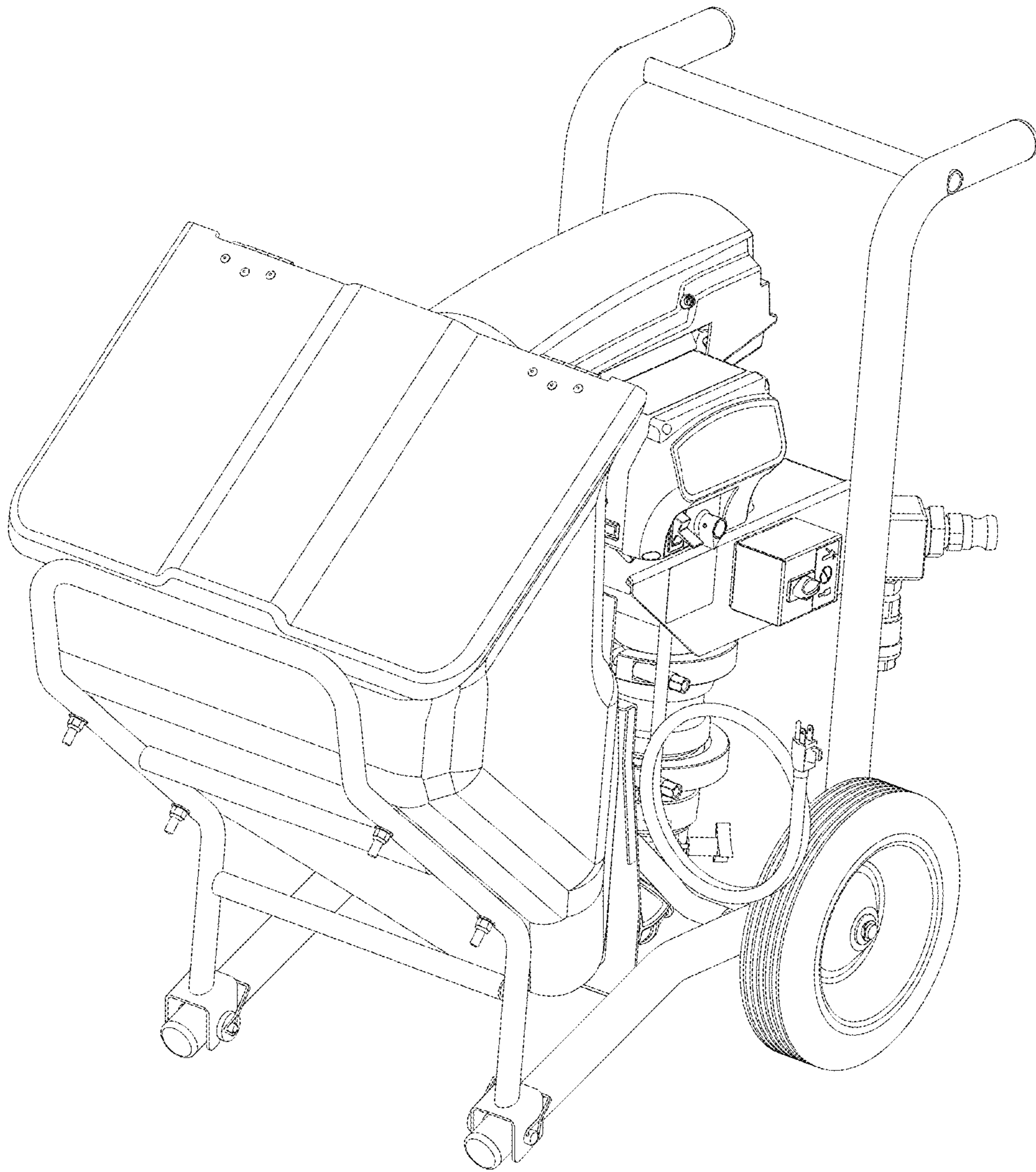


FIG. 1

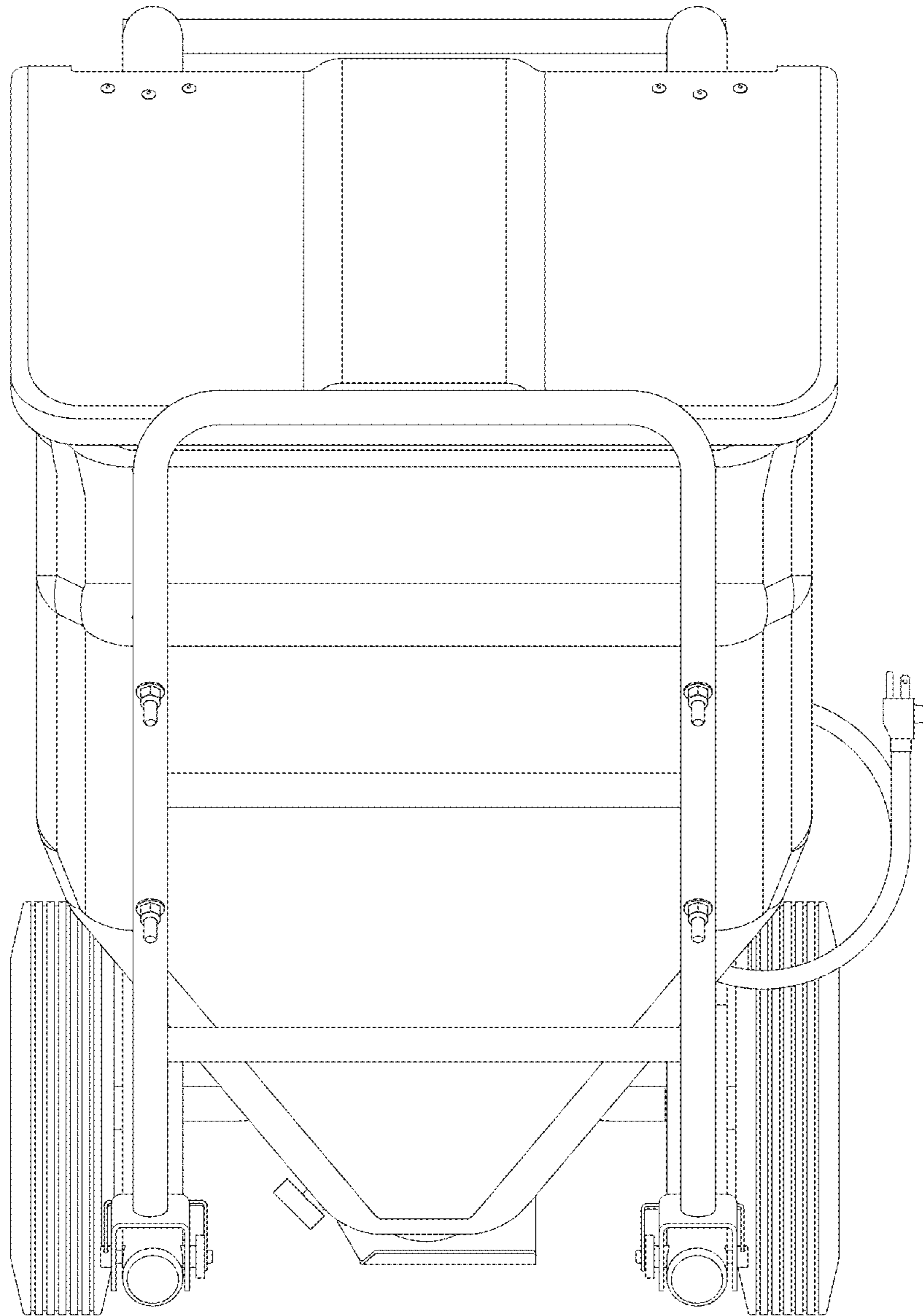


FIG. 2

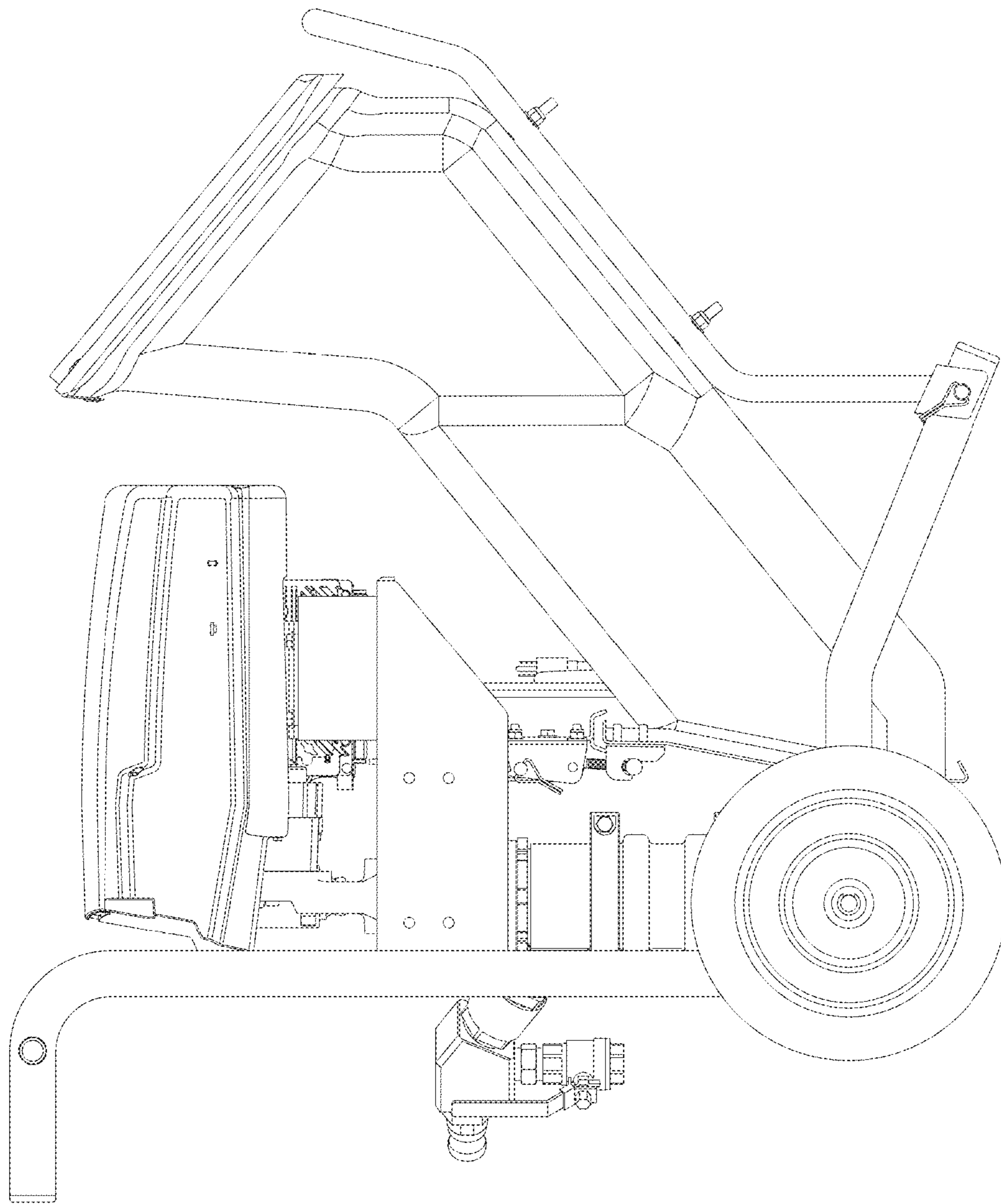


FIG. 3

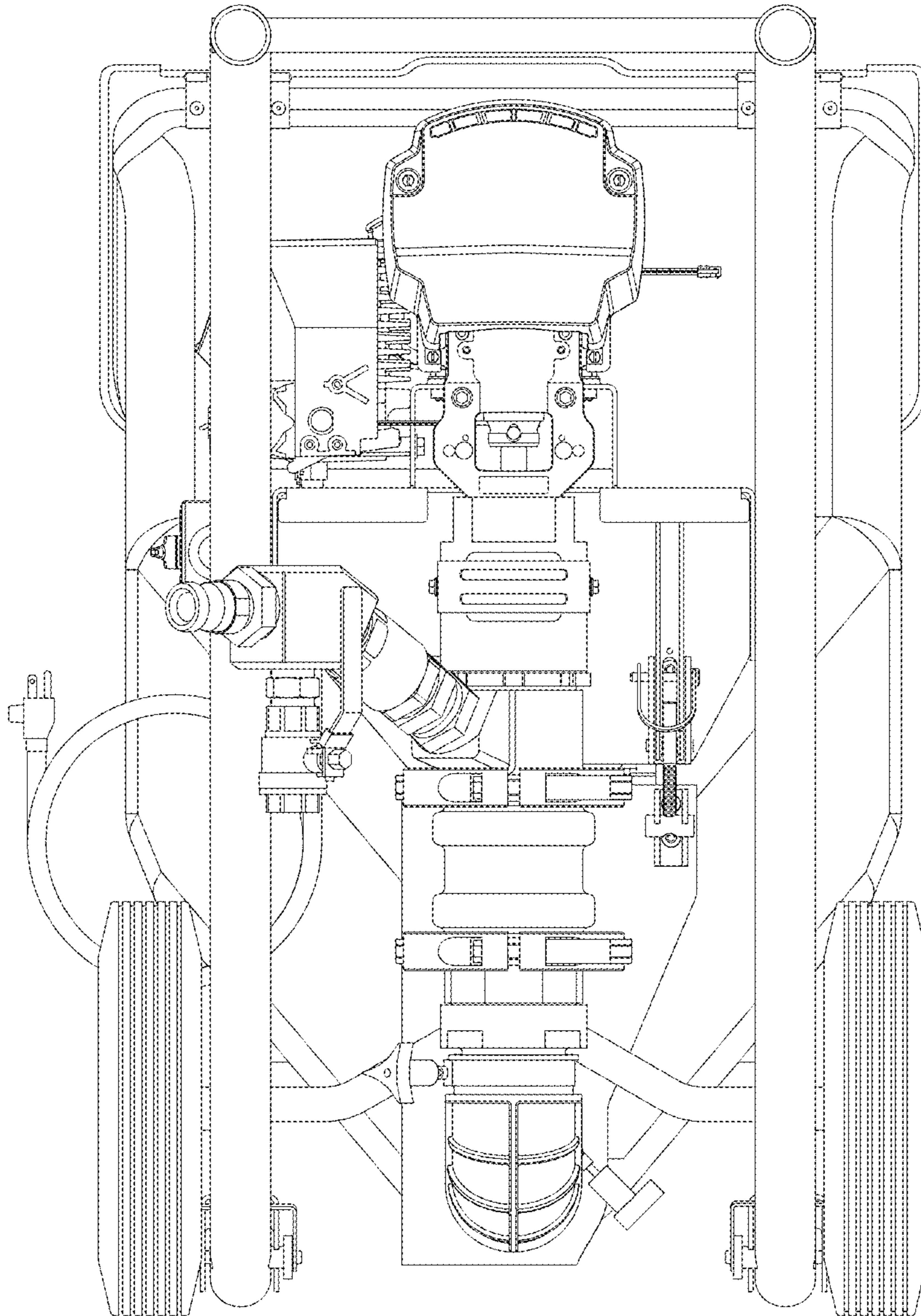


FIG. 4

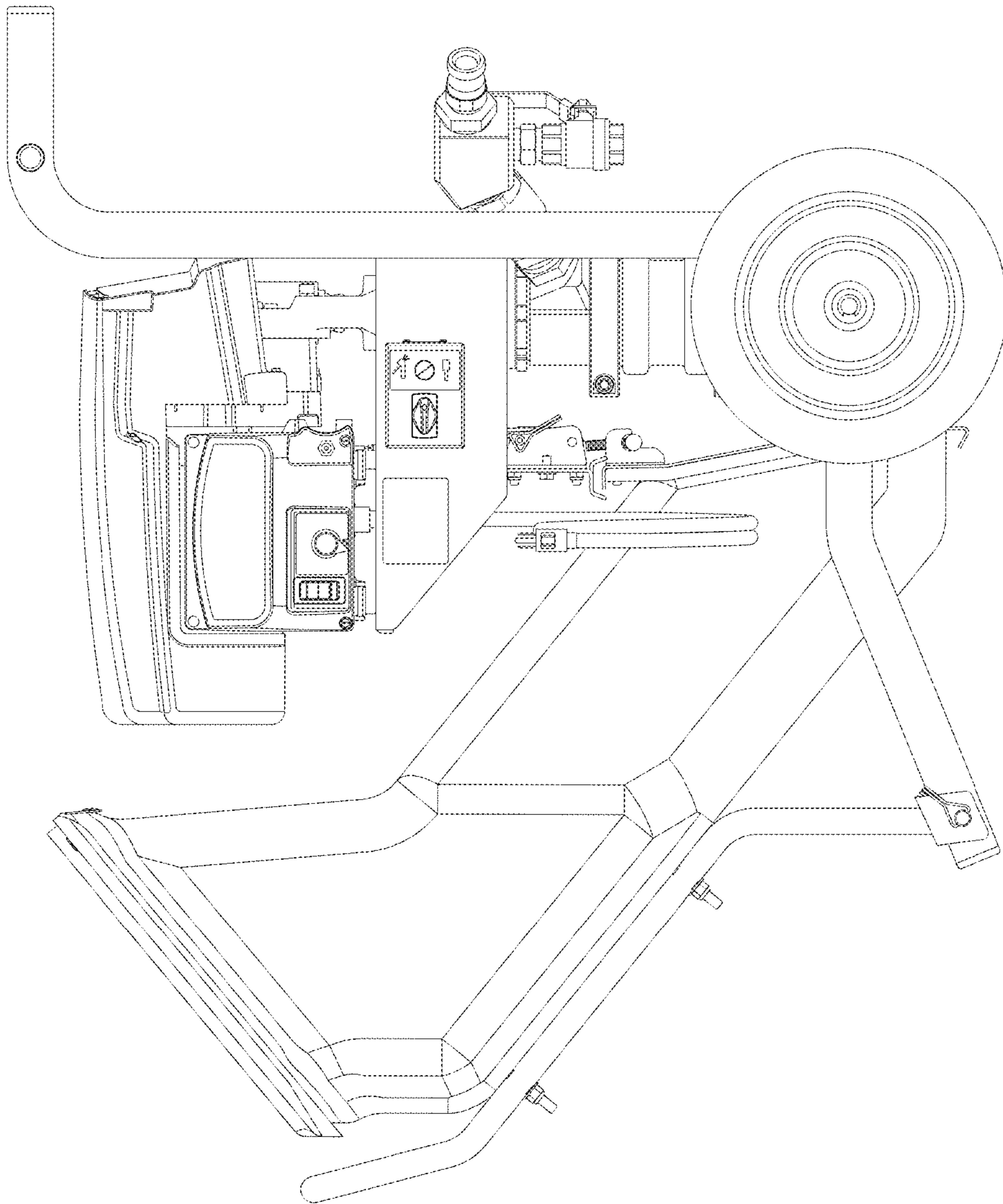


FIG. 5

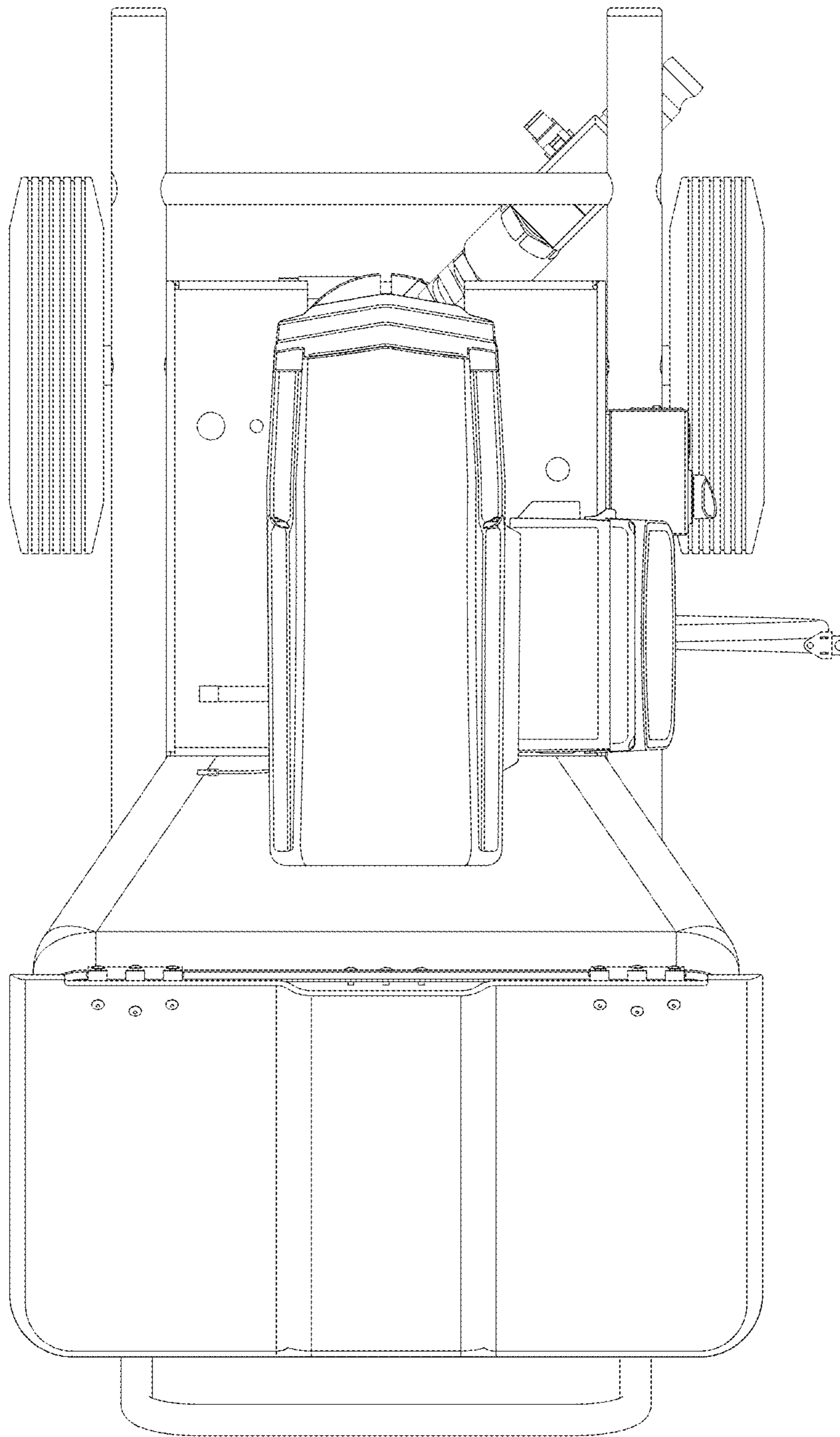


FIG. 6

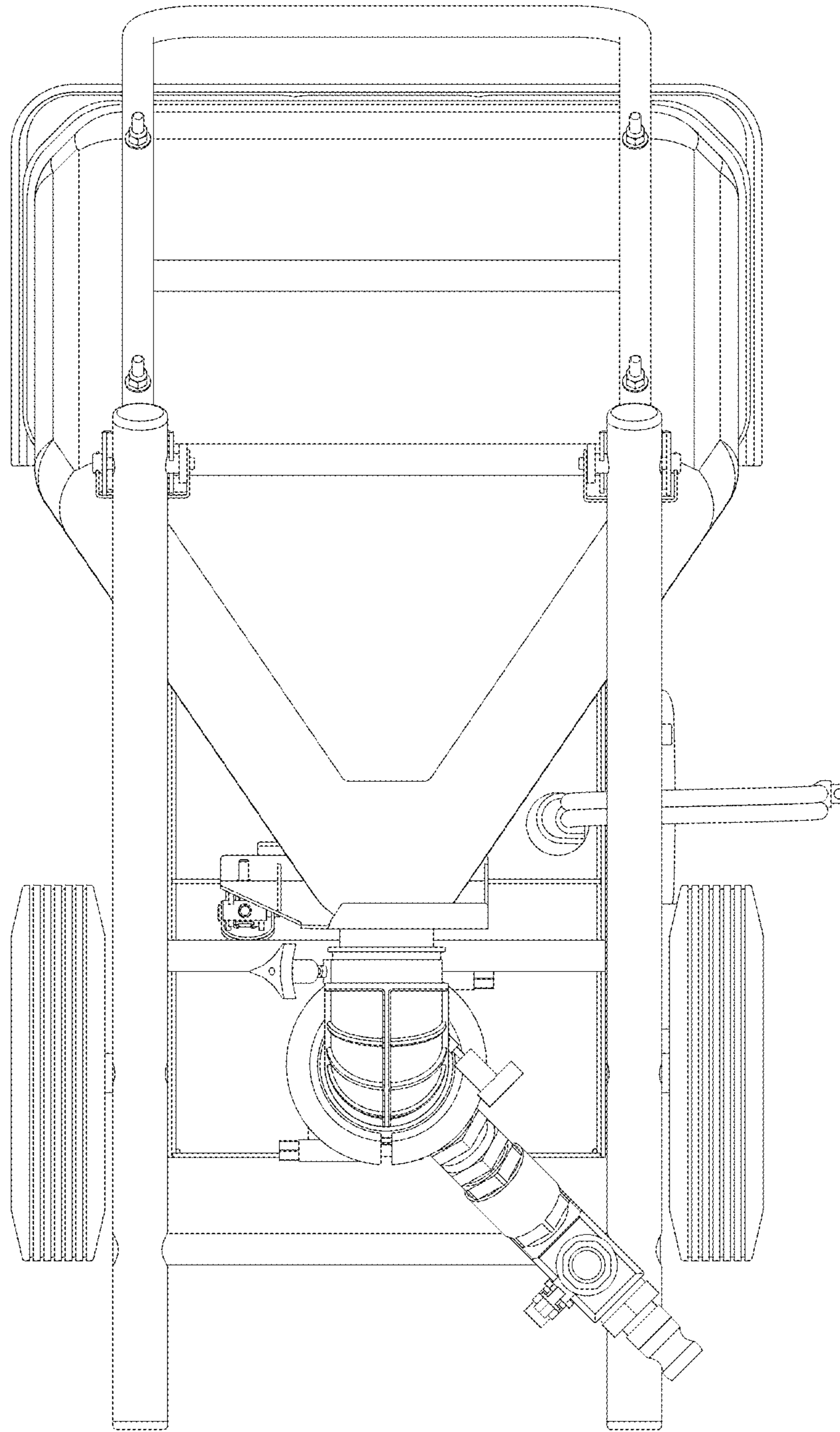


FIG. 7