



US00D771221S

(12) **United States Design Patent** (10) **Patent No.:** **US D771,221 S**  
**Lin et al.** (45) **Date of Patent:** **\*\* Nov. 8, 2016**

(54) **PENTAGONAL INFLATABLE SPA**  
(71) Applicant: **Intex Recreation Corporation**, Long Beach, CA (US)

5,345,622 A 9/1994 Plone  
D383,853 S \* 9/1997 Enns ..... D25/2  
D386,238 S 11/1997 Peterson

(Continued)

(72) Inventors: **Hua Hsiang Lin**, Haicang (CN); **Yaw Yuan Hsu**, Haicang (CM)

FOREIGN PATENT DOCUMENTS

(73) Assignee: **INTEX MARKETING LTD.**, Tortola (VG)

CN 3449734 5/2005  
CN 3449739 \* 5/2005

(Continued)

(\*\*) Term: **14 Years**

OTHER PUBLICATIONS

(21) Appl. No.: **29/501,318**

Intex 79in x 79in x 28in PureSpa Portable Jet & Bubble Deluxe Set, posted at Amazon.com, posting date Feb. 7, 2014, © 1996-2015 Amazon.com, [online], [site visited Nov. 18, 2015]. Available from Internet, <URL: <http://www.amazon.com/dp/B00PHWXI8M>>.\*

(22) Filed: **Sep. 3, 2014**

(Continued)

(30) **Foreign Application Priority Data**

Mar. 3, 2014 (CN) ..... 2014 3 0039494

(51) **LOC (10) Cl.** ..... **21-02**

(52) **U.S. Cl.**  
USPC ..... **D23/204**; D21/815

(58) **Field of Classification Search**  
USPC ..... D23/276-278, 280.1-280.3; D24/200, D24/201, 202, 203, 204, 206; D25/2; 4/541.1-541.6, 547, 578.1, 579; 601/154-158

CPC .. A61H 33/00; A61H 33/0087; A61H 33/02; A61H 33/60; A61H 33/6063; E04H 2004/0068

See application file for complete search history.

*Primary Examiner* — Susan E Krakower

*Assistant Examiner* — Lisa A Grabenstetter

(74) *Attorney, Agent, or Firm* — Faegre Baker Daniels LLP

(56) **References Cited**

U.S. PATENT DOCUMENTS

3,092,101 A 6/1963 Kinney  
D224,241 S \* 7/1972 Tytel ..... D21/815  
D224,306 S \* 7/1972 Anderson ..... D23/278  
4,535,490 A 8/1985 Wright  
4,599,753 A \* 7/1986 Goodman ..... 4/541.3  
D293,364 S 12/1987 Everard  
5,101,823 A 4/1992 Smith  
5,135,440 A 8/1992 Smollar et al.

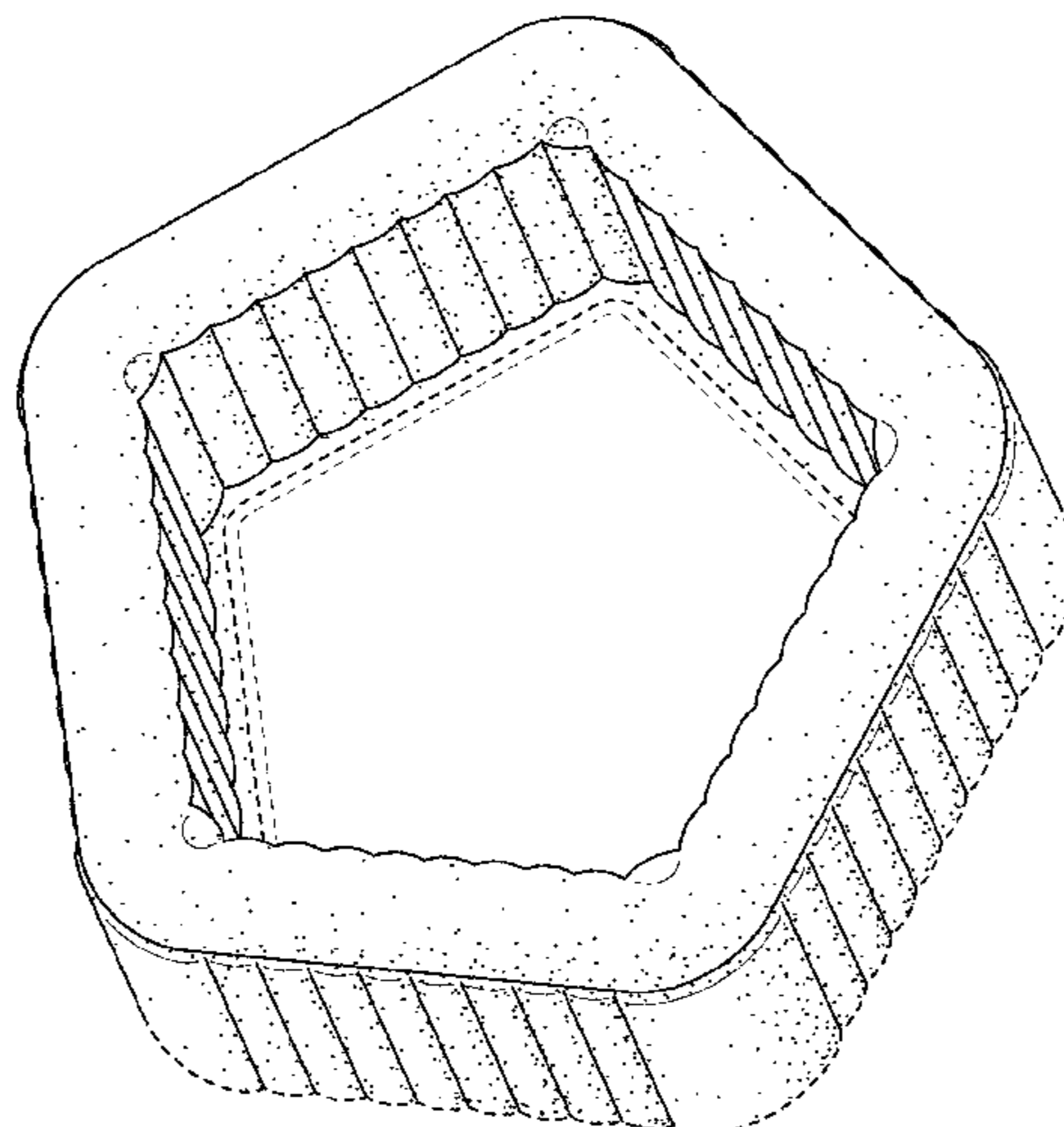
(57) **CLAIM**

The ornamental design for a pentagonal inflatable spa, as shown and described.

**DESCRIPTION**

FIG. 1 is a perspective view of a pentagonal inflatable spa showing our new design;  
FIG. 2 is a first side elevational view thereof;  
FIG. 3 is a second side elevational view thereof;  
FIG. 4 is a third side elevational view thereof;  
FIG. 5 is a fourth side elevational view thereof;  
FIG. 6 is a top plan view thereof; and,  
FIG. 7 is a bottom plan view thereof.  
The broken lines in FIGS. 1-7 represent unclaimed portions of the pentagonal inflatable spa and form no part of the claimed design.

**1 Claim, 5 Drawing Sheets**



(56)

References Cited

FOREIGN PATENT DOCUMENTS

U.S. PATENT DOCUMENTS

5,735,000 A 4/1998 Pfaeffle  
D404,457 S \* 1/1999 Peterson ..... D21/815  
D408,546 S \* 4/1999 Carreau ..... D25/2  
D409,707 S 5/1999 Peterson  
D425,165 S \* 5/2000 Klimenko ..... D21/815  
6,209,150 B1 4/2001 Hsu et al.  
6,412,123 B1 7/2002 Lau  
D554,729 S \* 11/2007 Peterson ..... D21/815  
7,434,277 B1 \* 10/2008 Brennan et al. .... 4/541.4  
7,987,531 B2 8/2011 West  
2004/0040083 A1 3/2004 Bentley

CN 300739460 1/2008  
CN 300779205 5/2008  
CN 300943576 6/2009  
CN 301171705 S 4/2010  
CN 301398132 S 12/2010  
GB 3019551 \* 3/2005  
JP D1238016 \* 5/2005

OTHER PUBLICATIONS

Intex, PureSpa Catalogue, dated Mar. 1, 2013, 2 pages.

\* cited by examiner

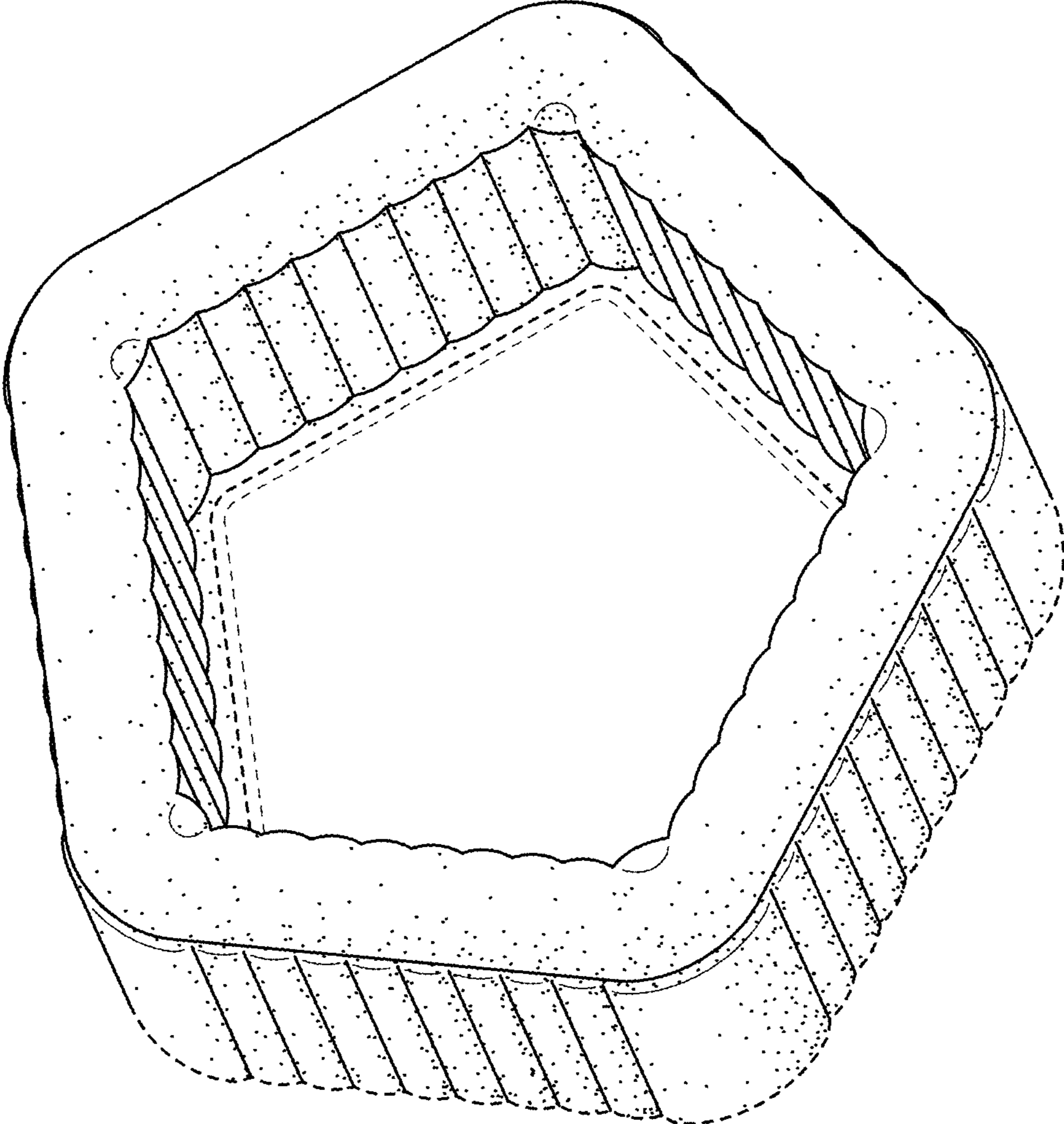


FIG. 1

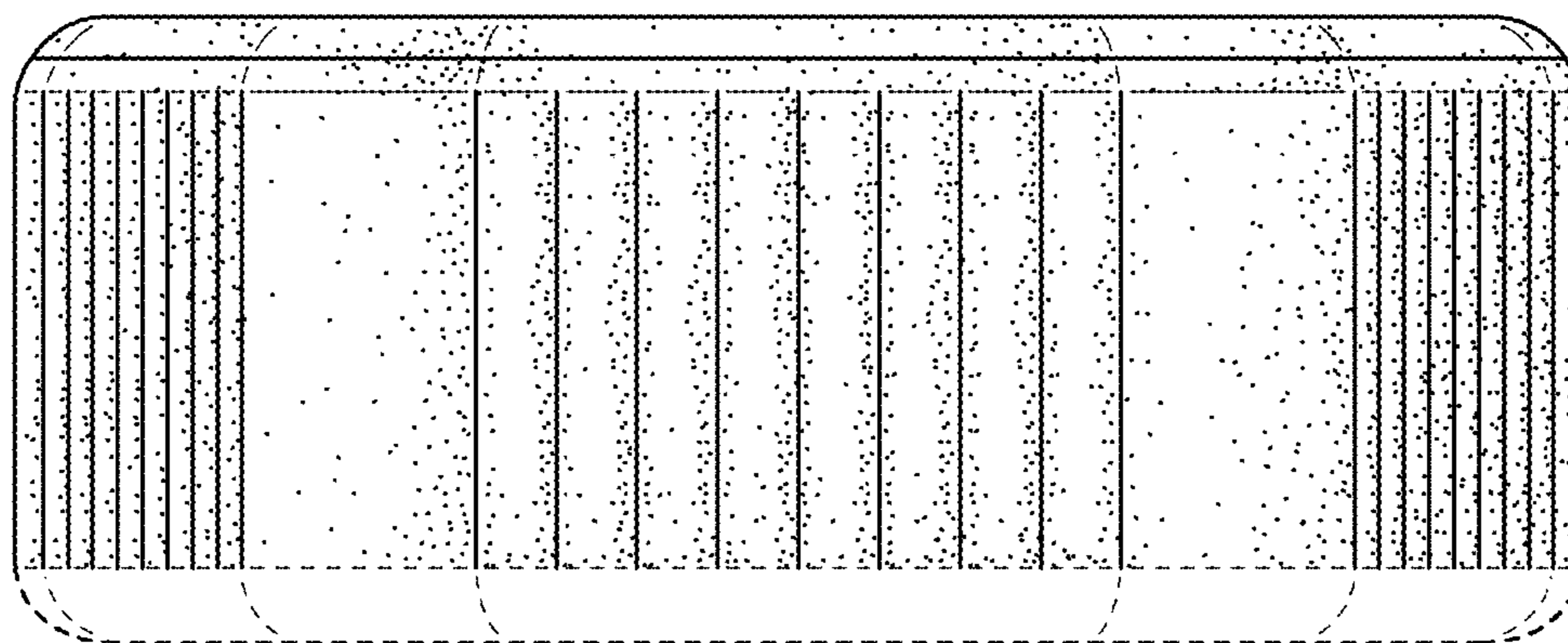


FIG. 2

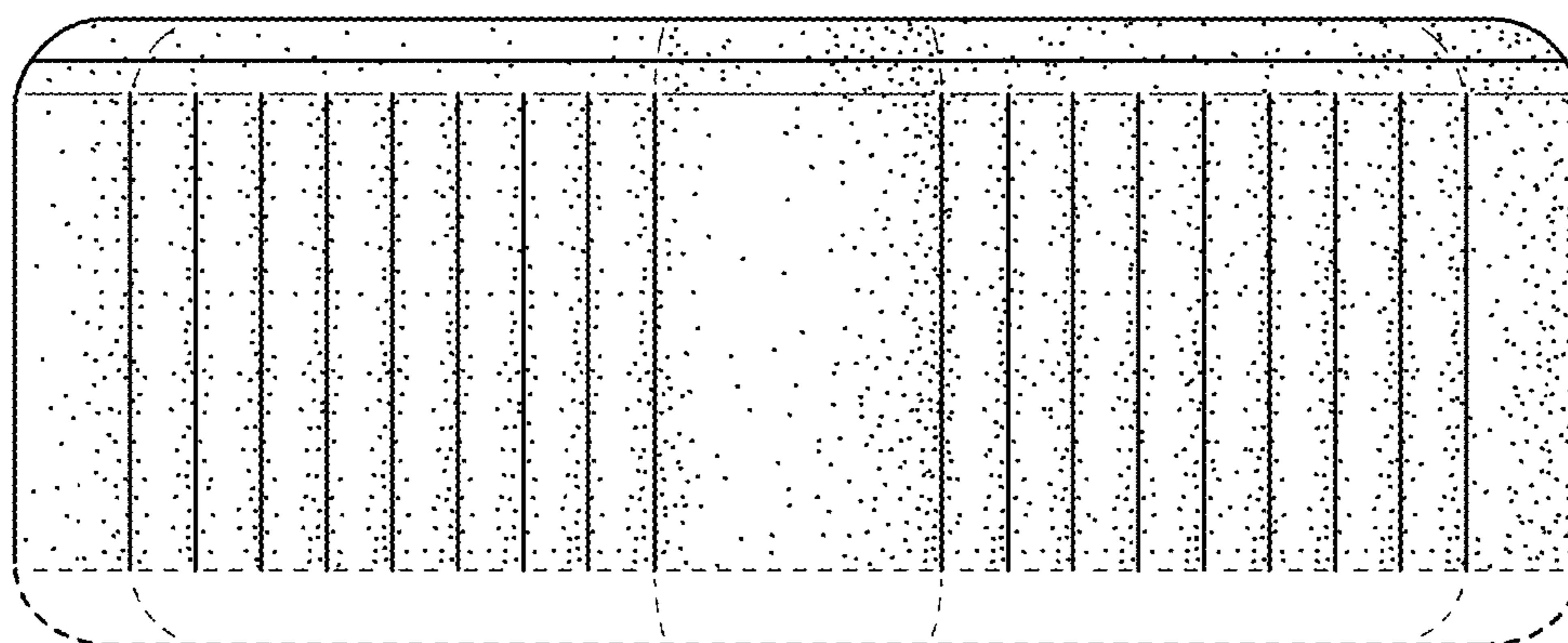


FIG. 3



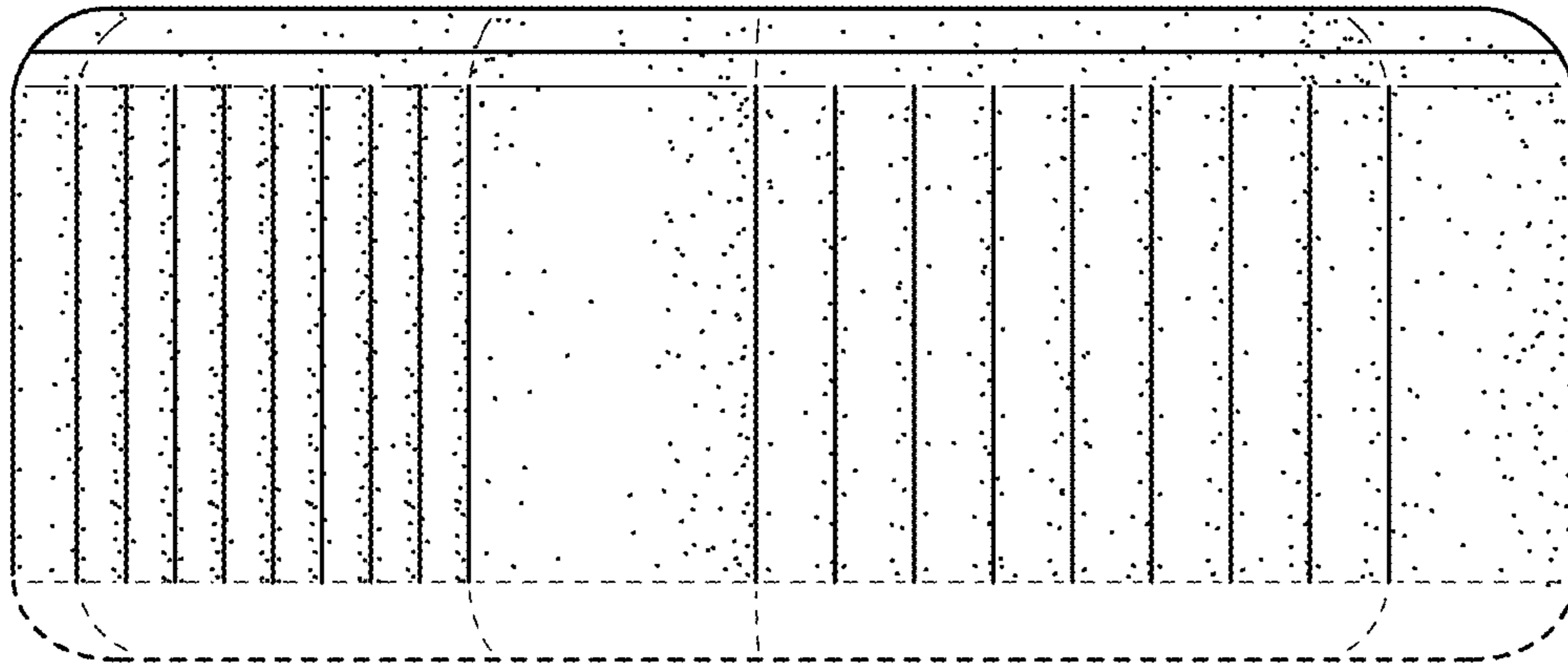


FIG. 4

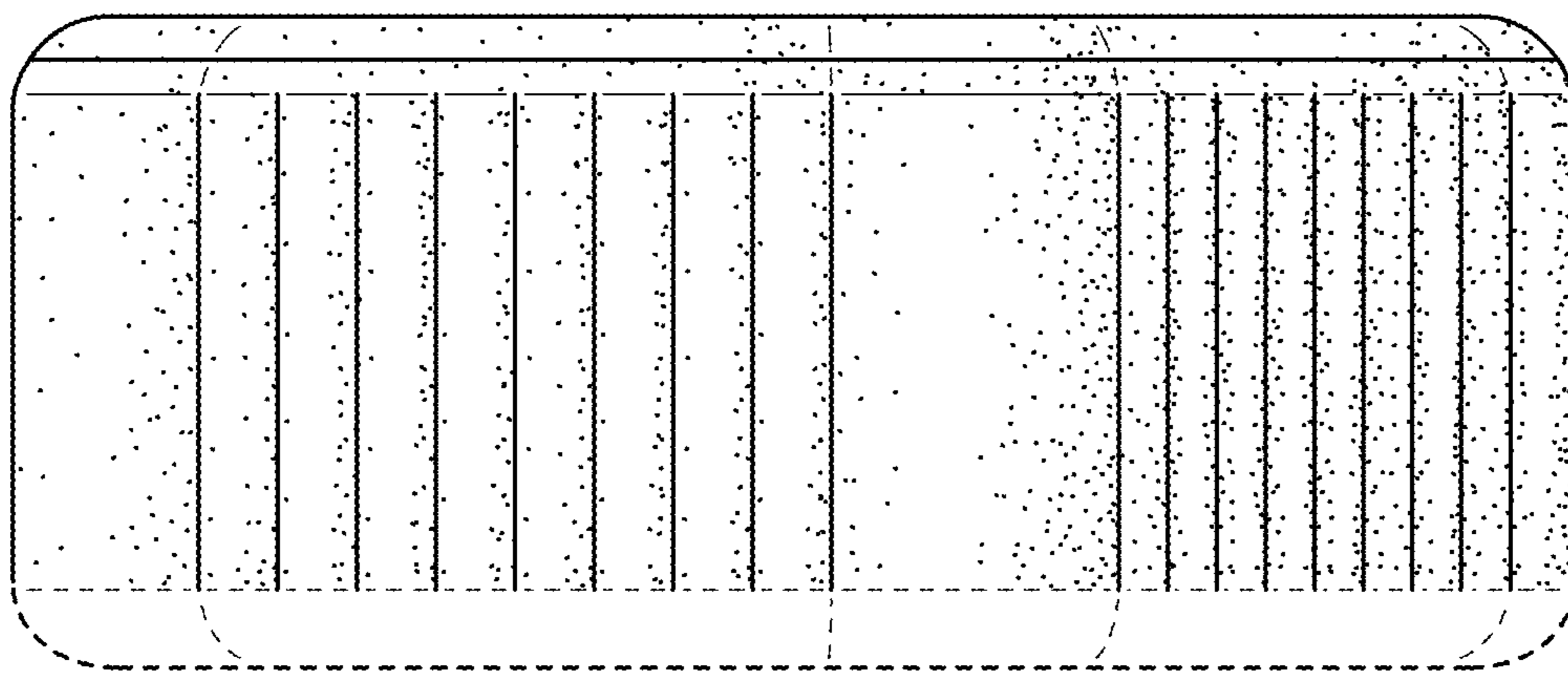


FIG. 5

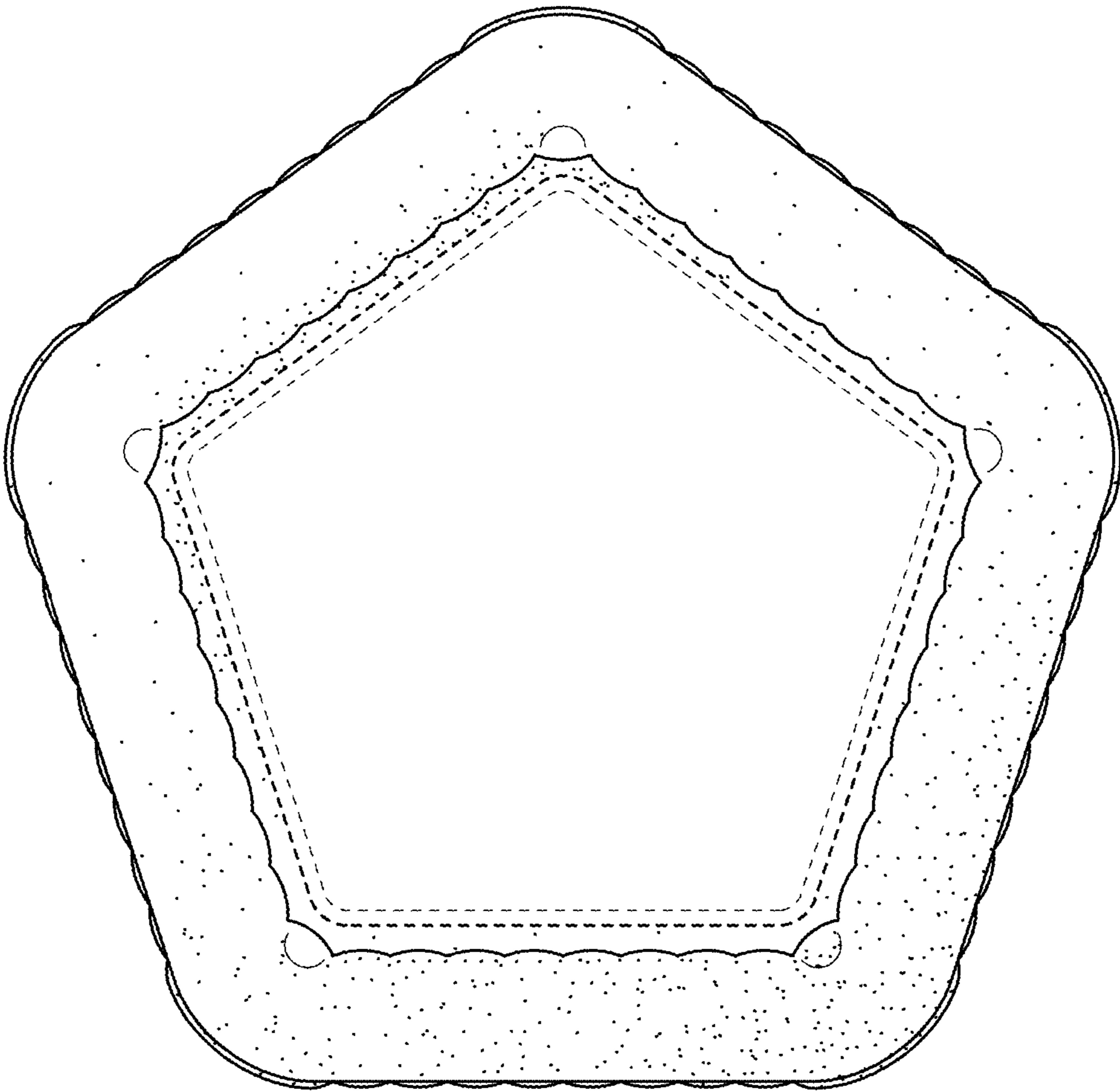


FIG. 6

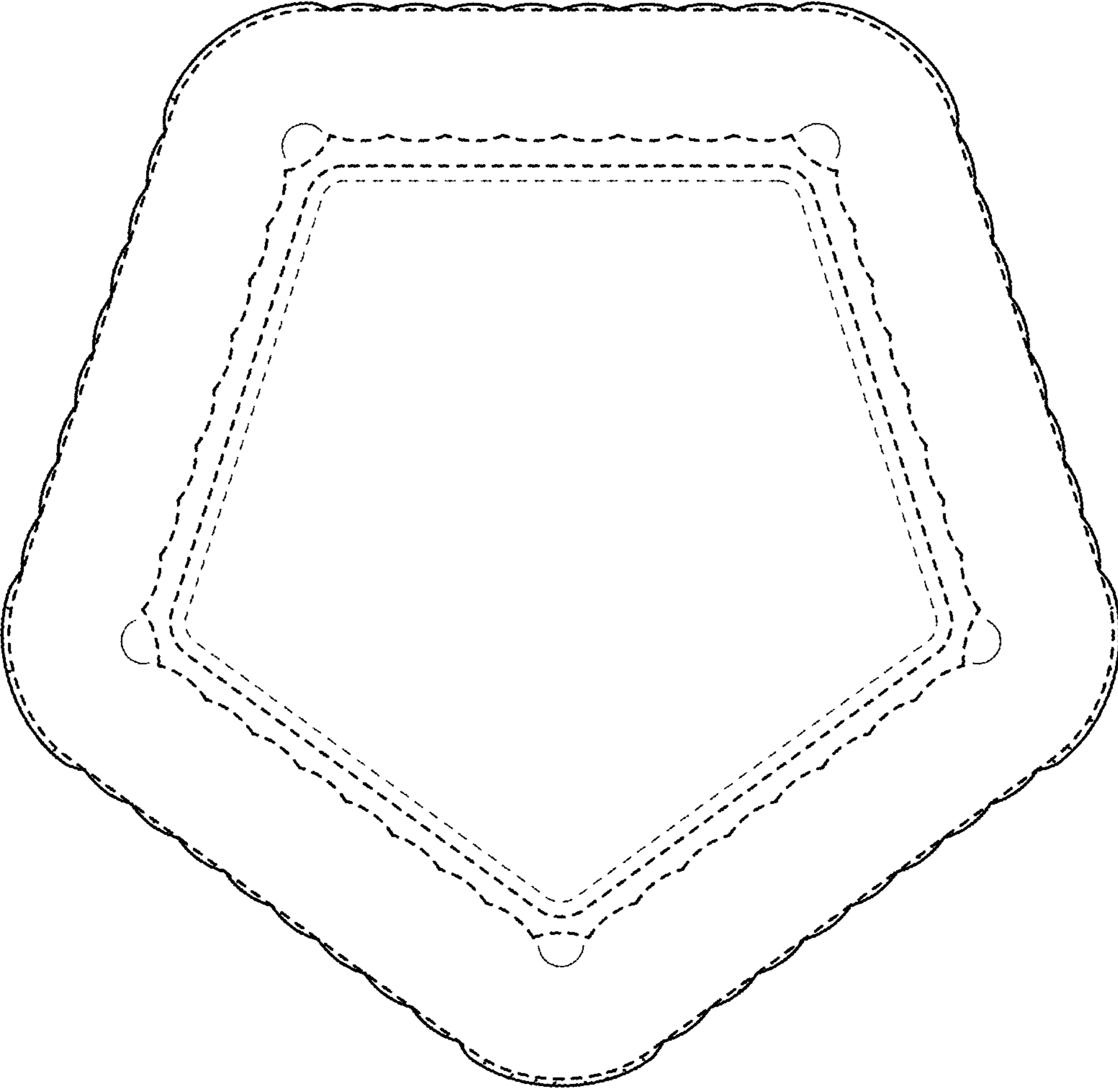


FIG. 7