



US00D771219S

(12) **United States Design Patent**  
**Gilbarte**

(10) **Patent No.:** **US D771,219 S**

(45) **Date of Patent:** **\*\* Nov. 8, 2016**

(54) **ELECTRIC STUN GUN HAVING AN  
ELECTRIC CIGARETTE-SHAPED  
MOUTHPIECE**

(71) Applicant: **Cutting Edge Products, Inc.,**  
Winterville, NC (US)

(72) Inventor: **Ray Gilbarte,** Winterville, NC (US)

(73) Assignee: **CUTTING EDGE PRODUCTS, INC.,**  
Winterville, NC (US)

(\*\*) Term: **15 Years**

(21) Appl. No.: **29/539,591**

(22) Filed: **Sep. 15, 2015**

(51) **LOC (10) Cl.** ..... **22-02**

(52) **U.S. Cl.**  
USPC ..... **D22/117; D27/101**

(58) **Field of Classification Search**  
USPC ..... D22/117, 123; D27/170, 172, 186, 187,  
D27/189, 190, 193, 194  
CPC ..... A24F 47/00; A24F 15/12; H05B 3/03;  
H05B 3/44  
See application file for complete search history.

(56) **References Cited**

U.S. PATENT DOCUMENTS

D129,846 S *	10/1941	Lemoyne	131/175
D364,480 S *	11/1995	Warren, Sr.	D27/183
D634,065 S *	3/2011	Borushek	D27/170
D672,423 S *	12/2012	Buie, II	D22/108
D675,703 S *	2/2013	Buie, II	D22/108
D677,355 S *	3/2013	Buie, II	D22/108
D677,356 S *	3/2013	Buie, II	D22/108
D707,389 S *	6/2014	Liu	D27/194
D720,881 S *	1/2015	Liu	D27/101
D739,601 S *	9/2015	Bahbah	D27/170
D747,521 S *	1/2016	Sheikh	D22/117
D751,249 S *	3/2016	Chen	D27/101
D758,649 S *	6/2016	Liu	D27/101
D761,468 S *	7/2016	Cheng	D22/117

2011/0248621 A1*	10/2011	Linow	H01K 1/24 313/317
2013/0167853 A1*	7/2013	Liu	A24F 47/008 131/329
2015/0245654 A1*	9/2015	Memari	A24F 15/12 141/2
2015/0282529 A1*	10/2015	Li	A24F 47/008 131/273
2015/0335073 A1*	11/2015	Li	A24F 47/008 131/329
2016/0007654 A1*	1/2016	Zhu	A24F 47/008 131/328
2016/0113327 A1*	4/2016	Wu	H05B 3/06 131/329
2016/0135501 A1*	5/2016	Liu	A24F 47/002 131/329
2016/0135505 A1*	5/2016	Li	H05B 3/44 131/329
2016/0157522 A1*	6/2016	Zhu	F22B 1/284 131/329

(Continued)

*Primary Examiner* — Manpreet Matharu

*Assistant Examiner* — Suzanne Tisdell

(74) *Attorney, Agent, or Firm* — Mitchell Law PLLC;  
Matthew W. Mitchell

(57) **CLAIM**

The ornamental design for the electric stun gun having an electric cigarette-shaped mouthpiece, as shown.

**DESCRIPTION**

FIG. 1 is a top perspective view of the present invention; FIG. 2 is a bottom perspective view of the invention of FIG. 1; FIG. 3 is a front view of the invention of FIG. 1; FIG. 4 is a back view of the invention of FIG. 1; FIG. 5 is a side view of the invention of FIG. 1, as seen from the left side of FIG. 3; FIG. 6 is a side view of the invention of FIG. 1, as seen from the right side of FIG. 3; FIG. 7 is a top view of the invention of FIG. 1; and, FIG. 8 is a bottom view of the invention of FIG. 1. The broken lines form no part of the claimed design.

**1 Claim, 4 Drawing Sheets**



# US D771,219 S

Page 2

---

(56)

## References Cited

### U.S. PATENT DOCUMENTS

2016/0174611 A1*	6/2016	Monsees .....	H05B 3/04 392/387	
2016/0213062 A1*	7/2016	Doyle .....	A24F 47/002	
2016/0219934 A1*	8/2016	Li .....	A24F 47/008	
2016/0219935 A1*	8/2016	Qiu .....	A24F 47/008	
2016/0227837 A1*	8/2016	Hammel .....	H05B 6/36	

\* cited by examiner

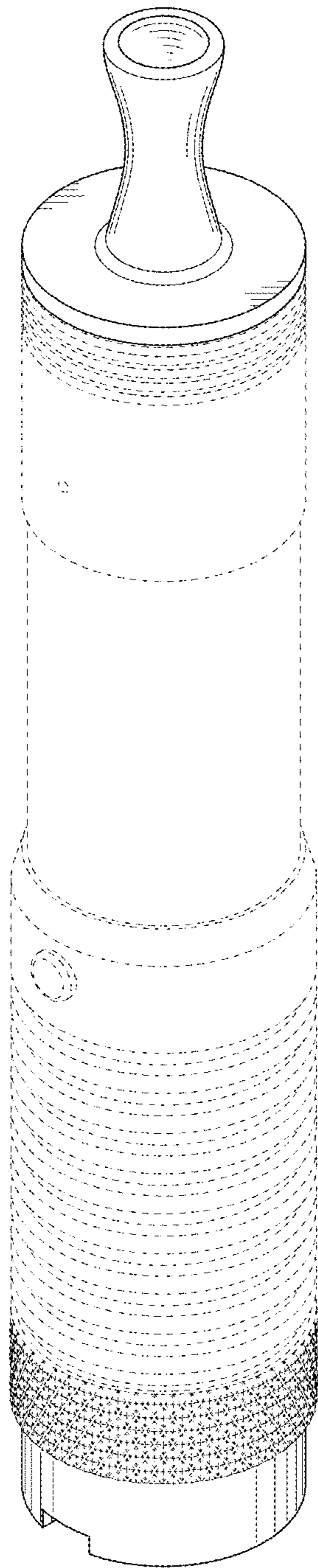


FIG. 1

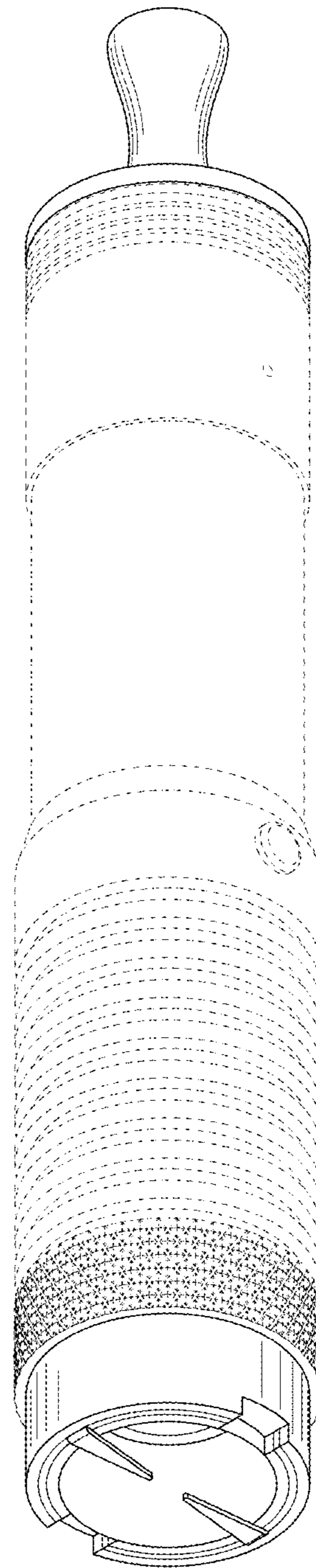


FIG. 2

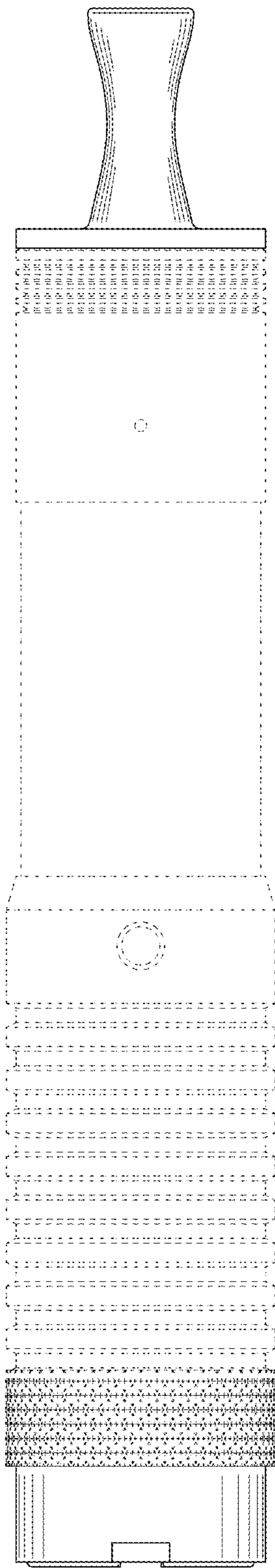


FIG. 3

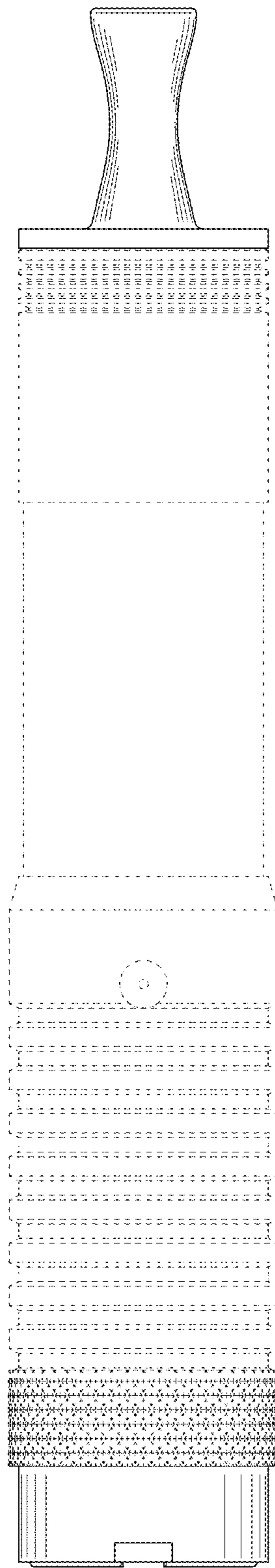


FIG. 4

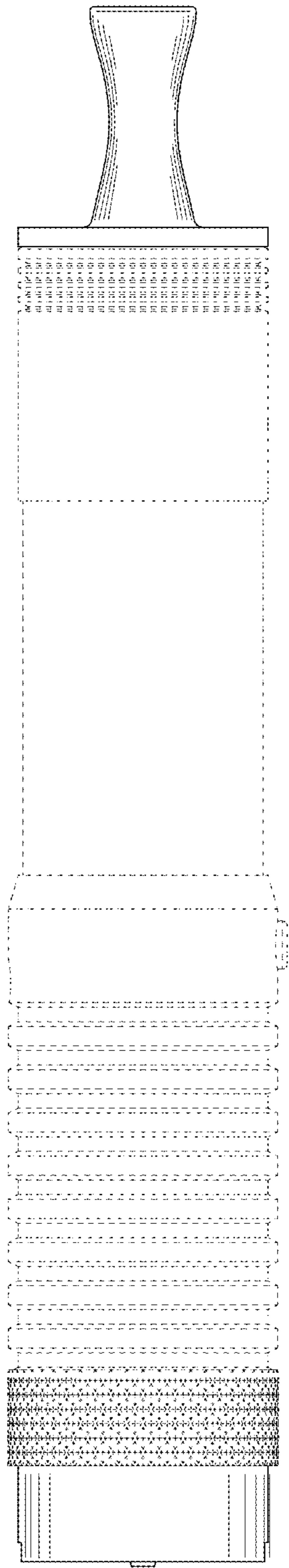


FIG. 5

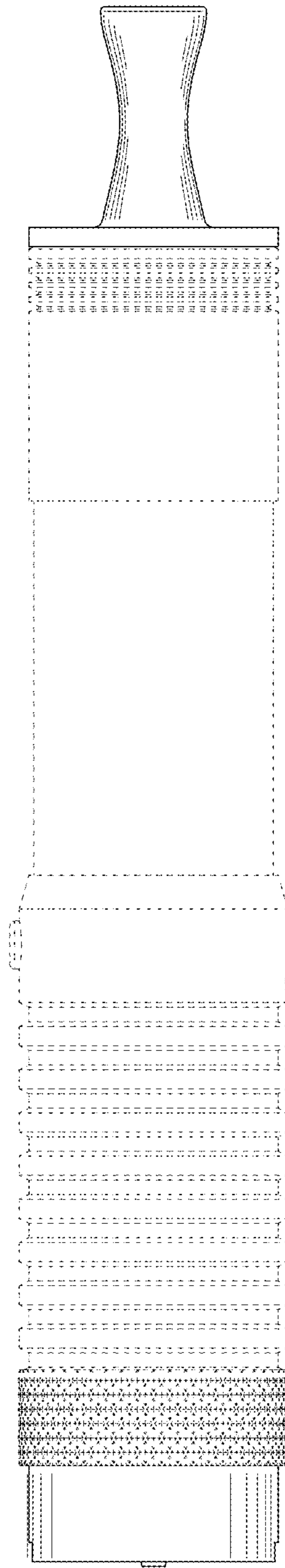


FIG. 6

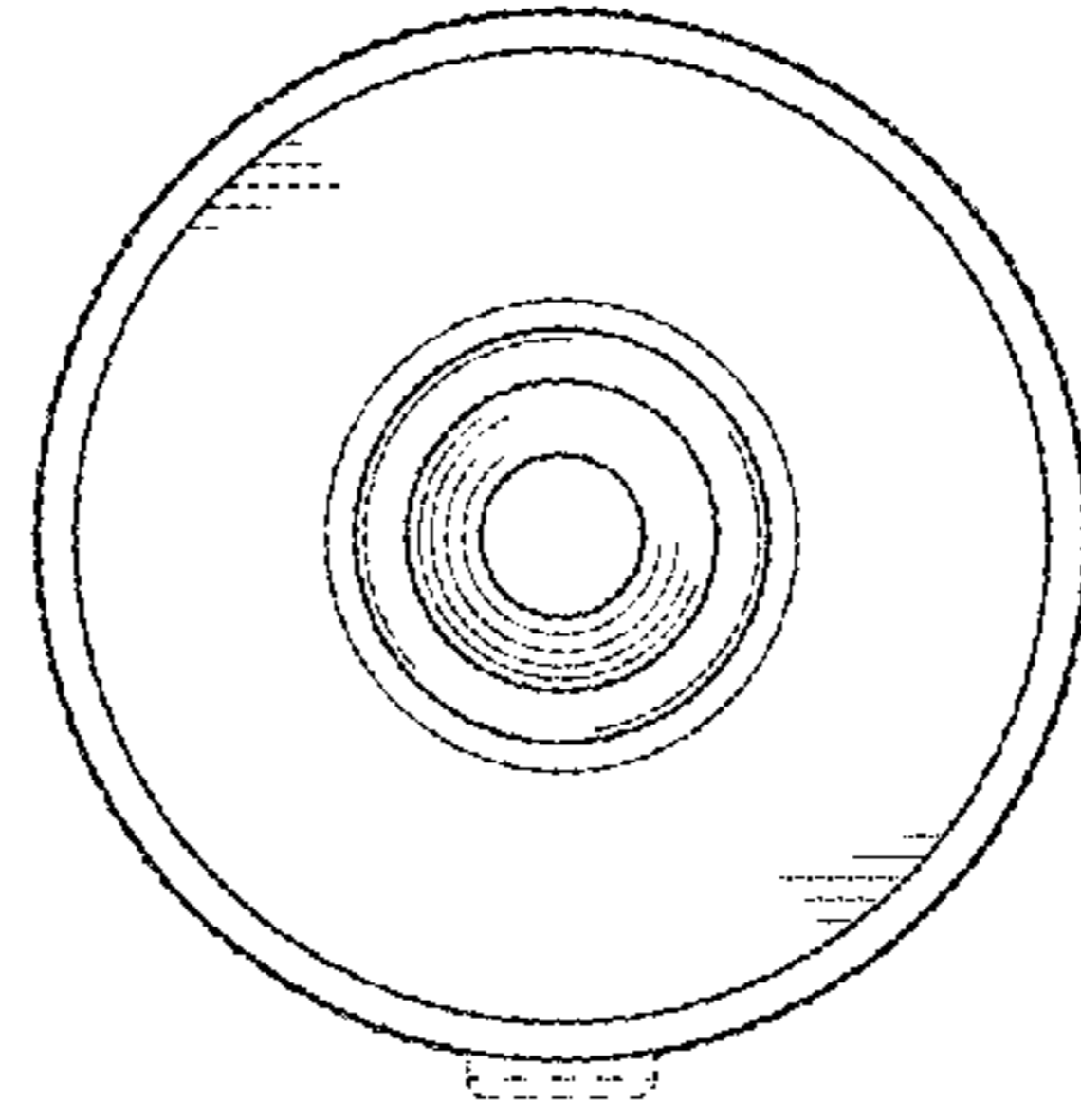


FIG. 7

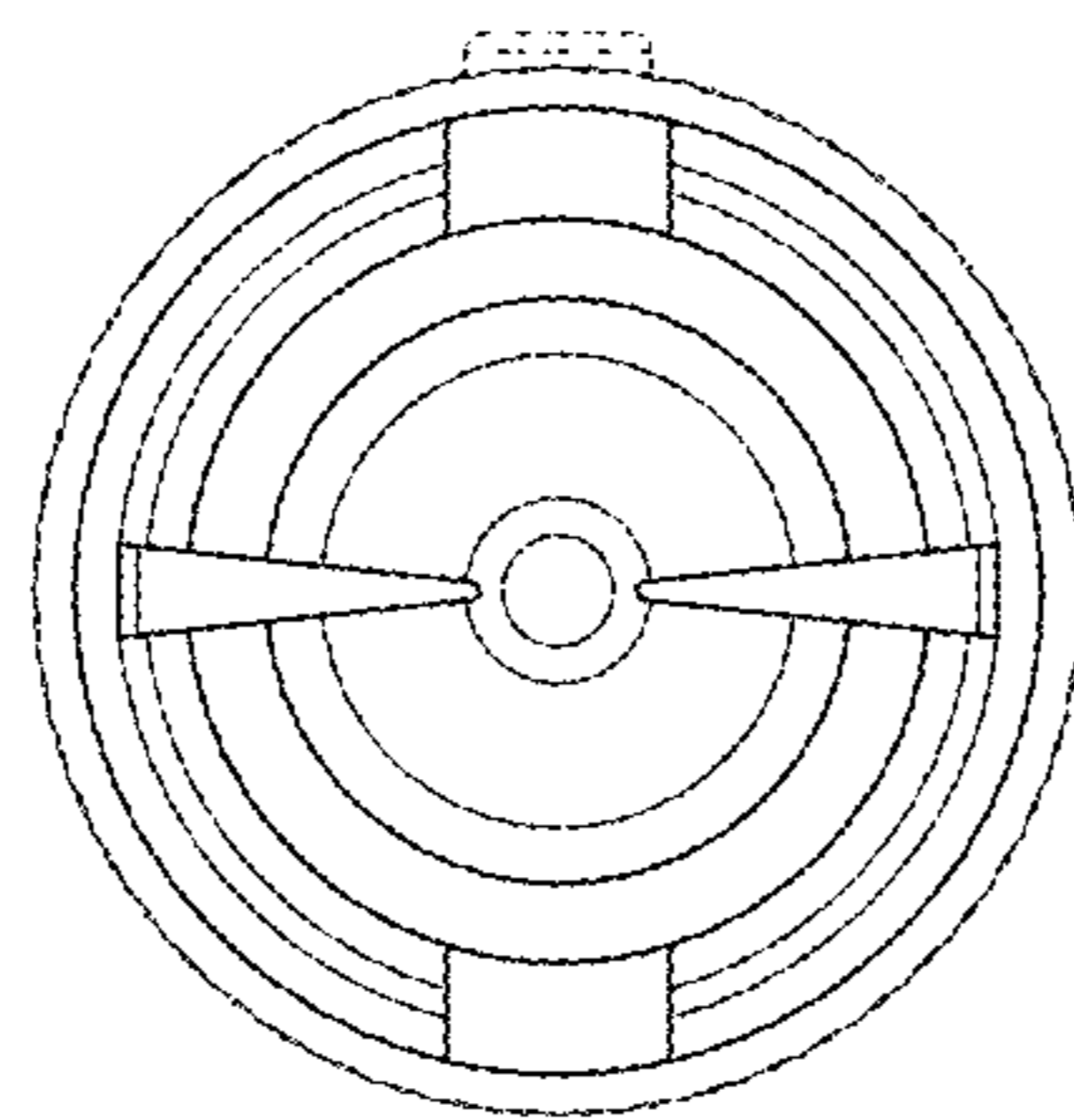


FIG. 8