



US00D771218S

(12) **United States Design Patent** (10) **Patent No.:** **US D771,218 S**
Ding et al. (45) **Date of Patent:** **** Nov. 8, 2016**

(54) **GUN RAIL MOUNTING DEVICE** D733,251 S * 6/2015 Hu D22/109
D755,342 S * 5/2016 Ding D22/109

(71) Applicant: **Leapers, Inc.**, Livonia, MI (US) * cited by examiner

(72) Inventors: **Tai-Lai Ding**, Northville, MI (US);
Yuedong Yan, Novi, MI (US) *Primary Examiner* — Michael A Pratt
(74) *Attorney, Agent, or Firm* — Honigman Miller
Schwartz and Cohn LLP

(73) Assignee: **Leapers, Inc.**, Livonia, MI (US)

(**) Term: **14 Years**

(21) Appl. No.: **29/525,390**

(22) Filed: **Apr. 29, 2015**

(51) **LOC (10) Cl.** **22-01**

(52) **U.S. Cl.**
USPC **D22/109**

(58) **Field of Classification Search**
USPC D22/108–109
CPC F41G 11/003; F41G 1/00; F41G 1/16;
F41G 1/345
See application file for complete search history.

(56) **References Cited**

U.S. PATENT DOCUMENTS

- 2,743,526 A * 5/1956 Ivy F41G 11/002
42/126
- D232,633 S * 9/1974 Weast D22/109
- D403,393 S * 12/1998 Weast D22/108
- D414,835 S * 10/1999 Otteman D22/100
- 6,874,269 B2 * 4/2005 Chen F41G 11/003
42/106
- 7,730,655 B2 * 6/2010 Spuhr F41G 11/003
42/124
- D632,753 S * 2/2011 Leighton D22/109

(57) **CLAIM**
The ornamental design for a gun rail mounting device, as shown and described.

DESCRIPTION

FIG. 1 is a front/right isometric view of the gun rail mounting device wherein the ghosted portions do not form any part of the claimed design;

FIG. 2 is a rear/left isometric view of the gun rail mounting device wherein the ghosted portions do not form any part of the claimed design;

FIG. 3 is a front elevational view of the gun rail mounting device wherein the ghosted portions do not form any part of the claimed design;

FIG. 4 is a rear elevational view of the gun rail mounting device wherein the ghosted portions do not form any part of the claimed design;

FIG. 5 is a right side view of the gun rail mounting device wherein the ghosted portions do not form any part of the claimed design;

FIG. 6 is a left side view of the gun rail mounting device wherein the ghosted portions do not form any part of the claimed design;

FIG. 7 is a top view of the gun rail mounting device wherein the ghosted portions do not form any part of the claimed design; and,

FIG. 8 is a bottom view of the gun rail mounting device wherein the ghosted portions do not form any part of the claimed design.

1 Claim, 4 Drawing Sheets

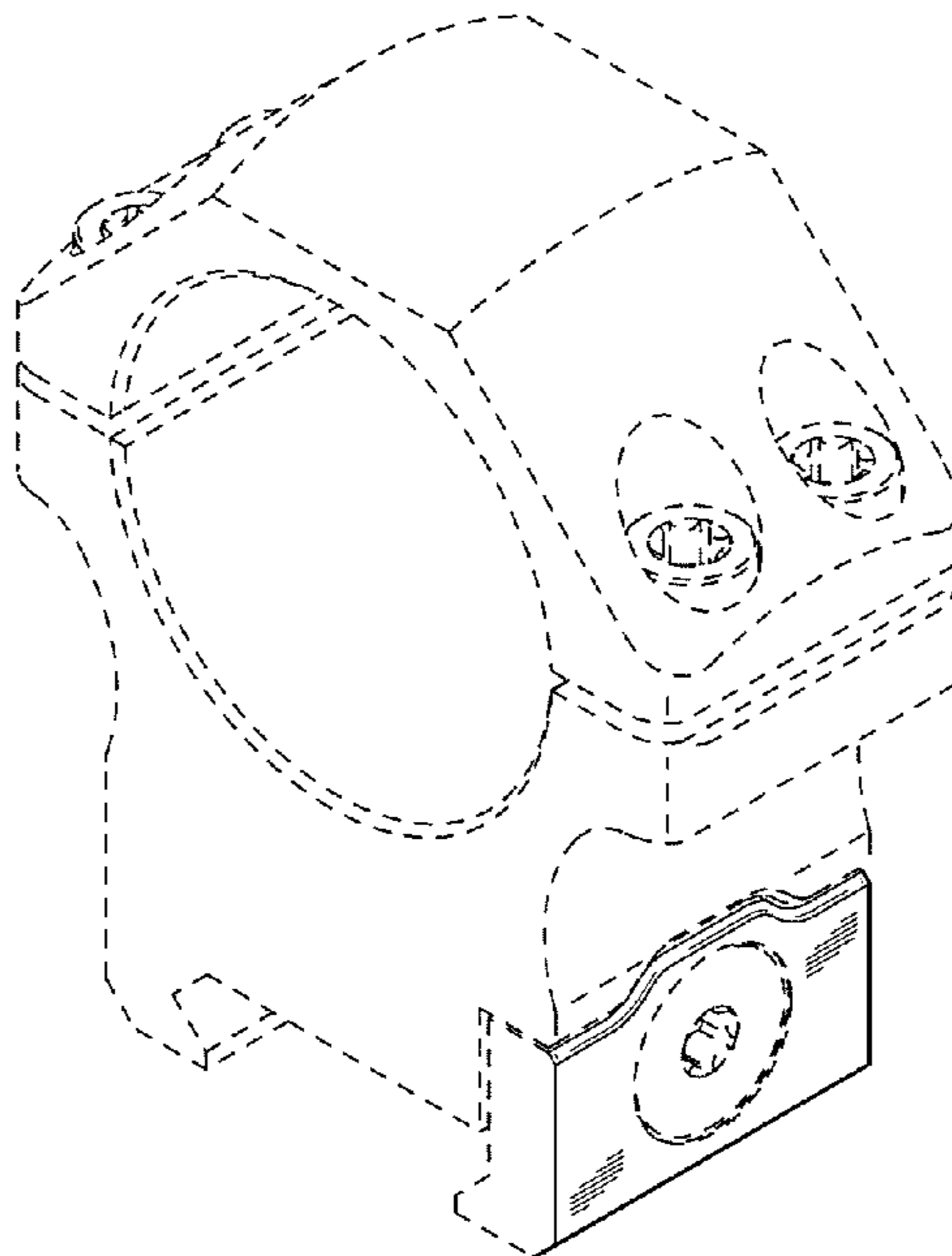


FIG. 1

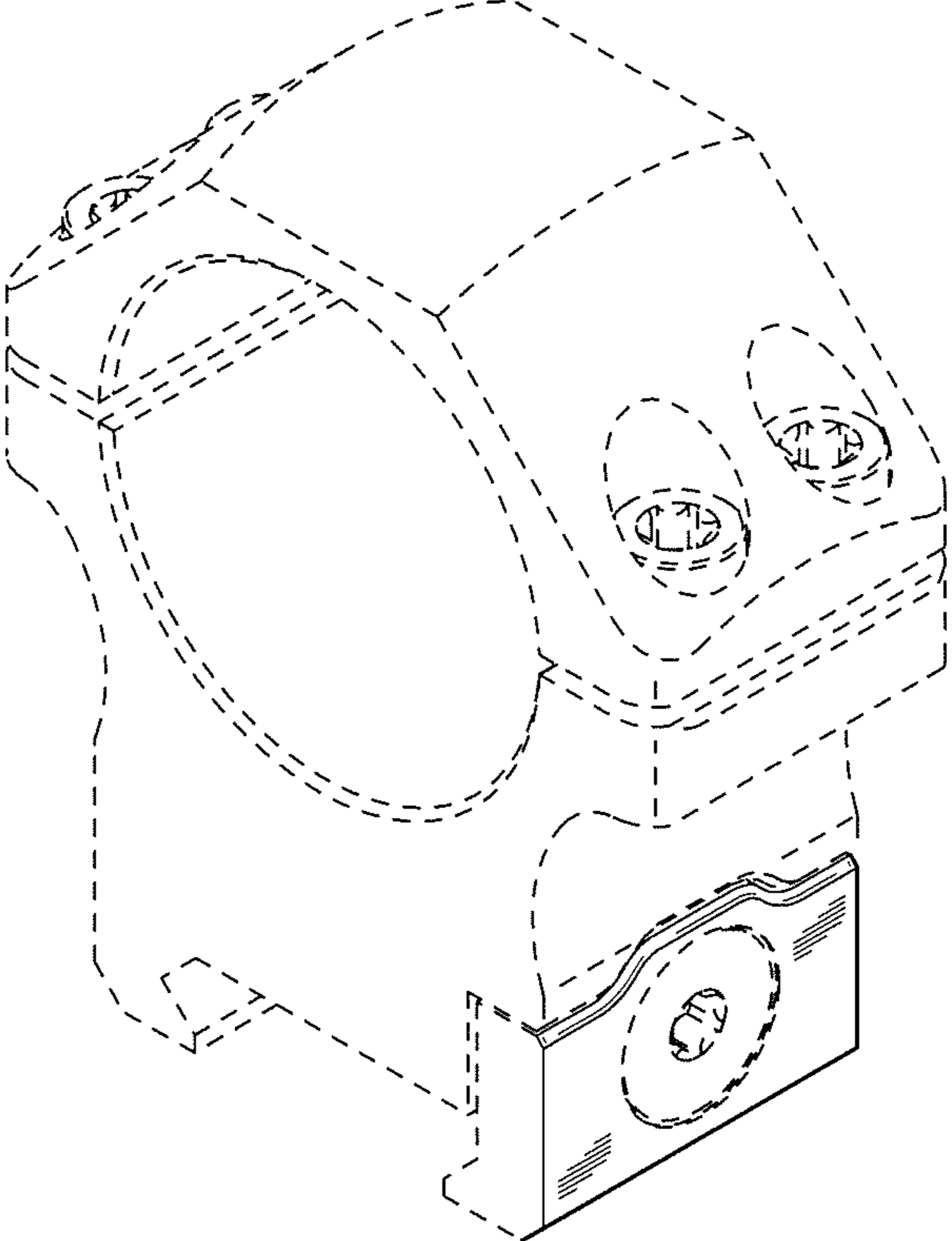
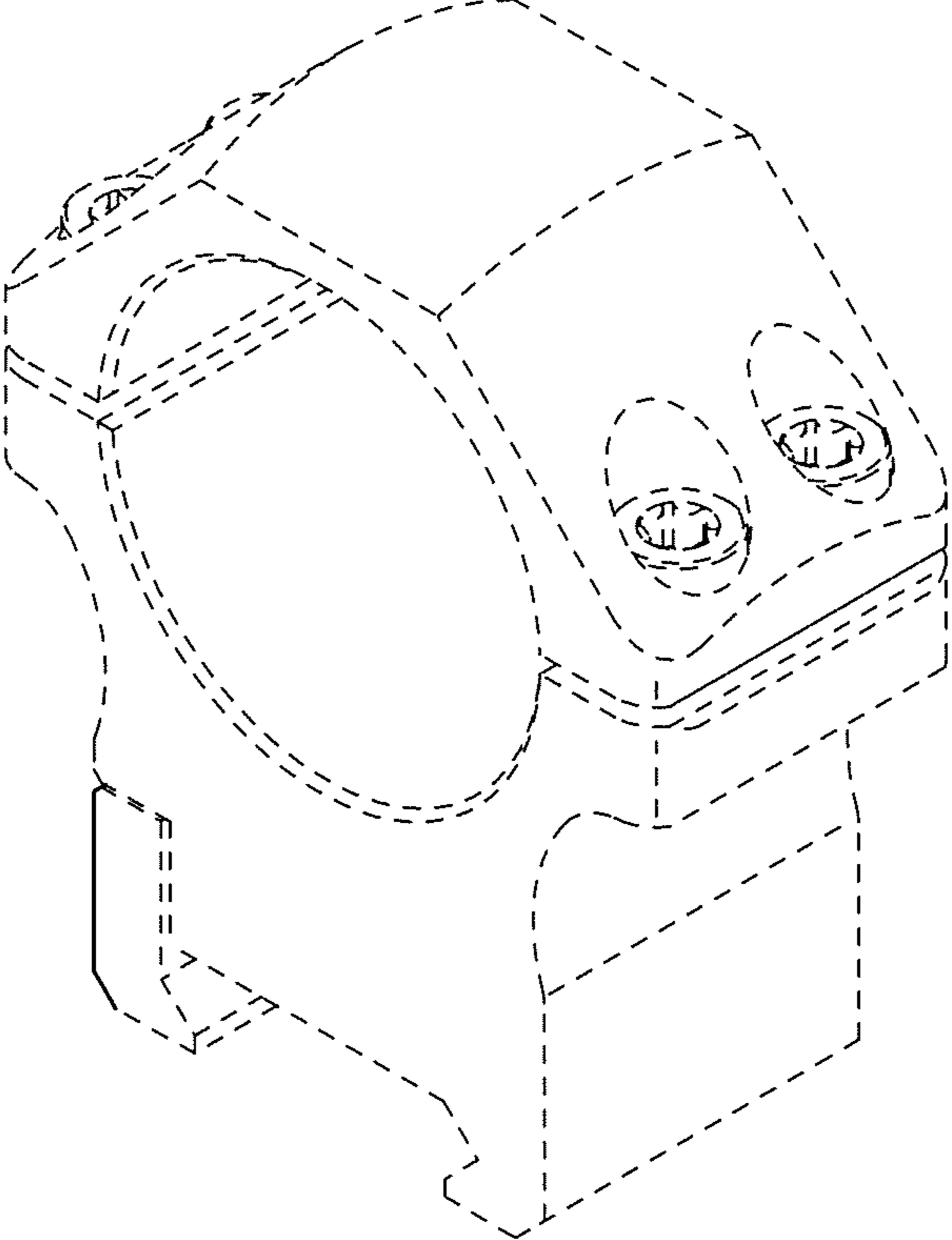


FIG. 2



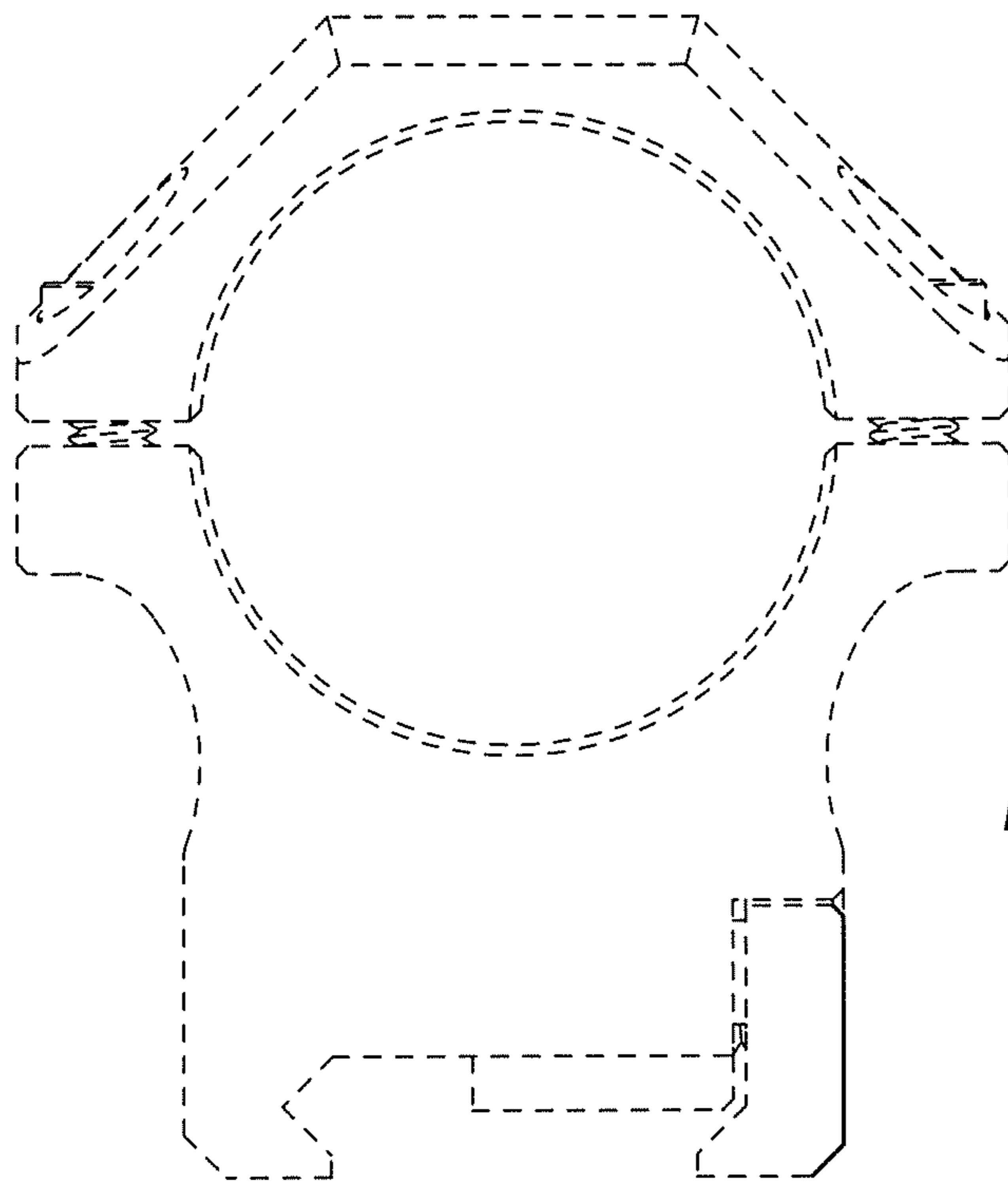


FIG. 3

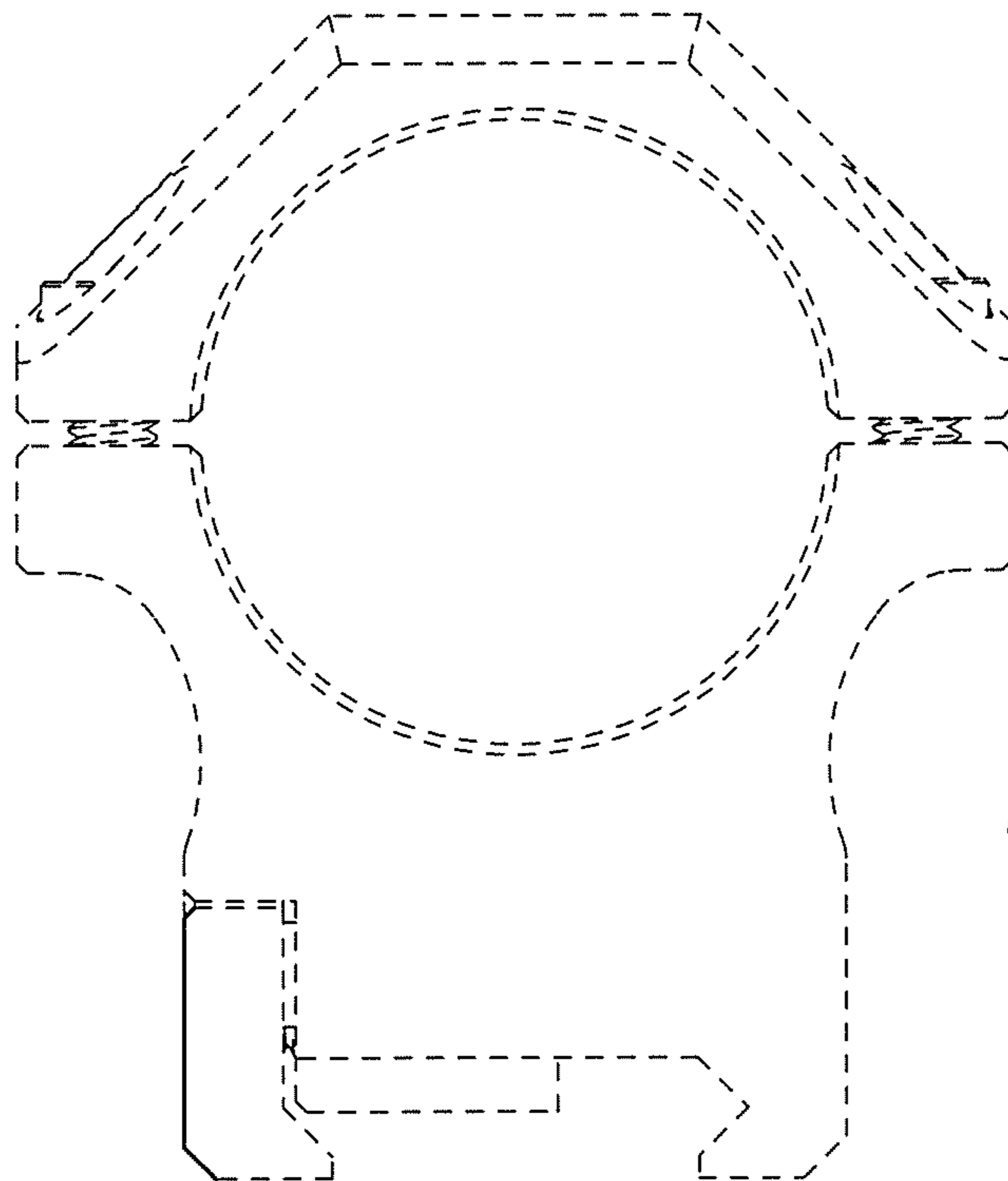


FIG. 4

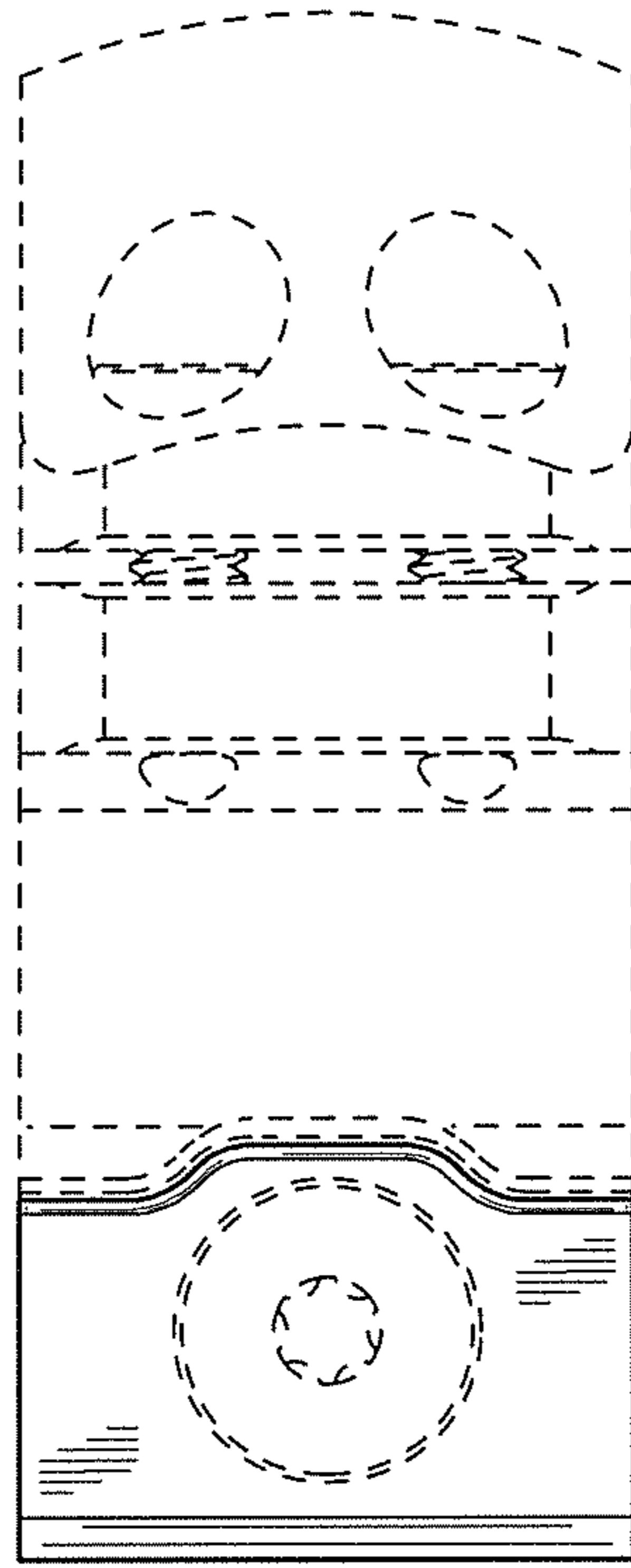


FIG. 5

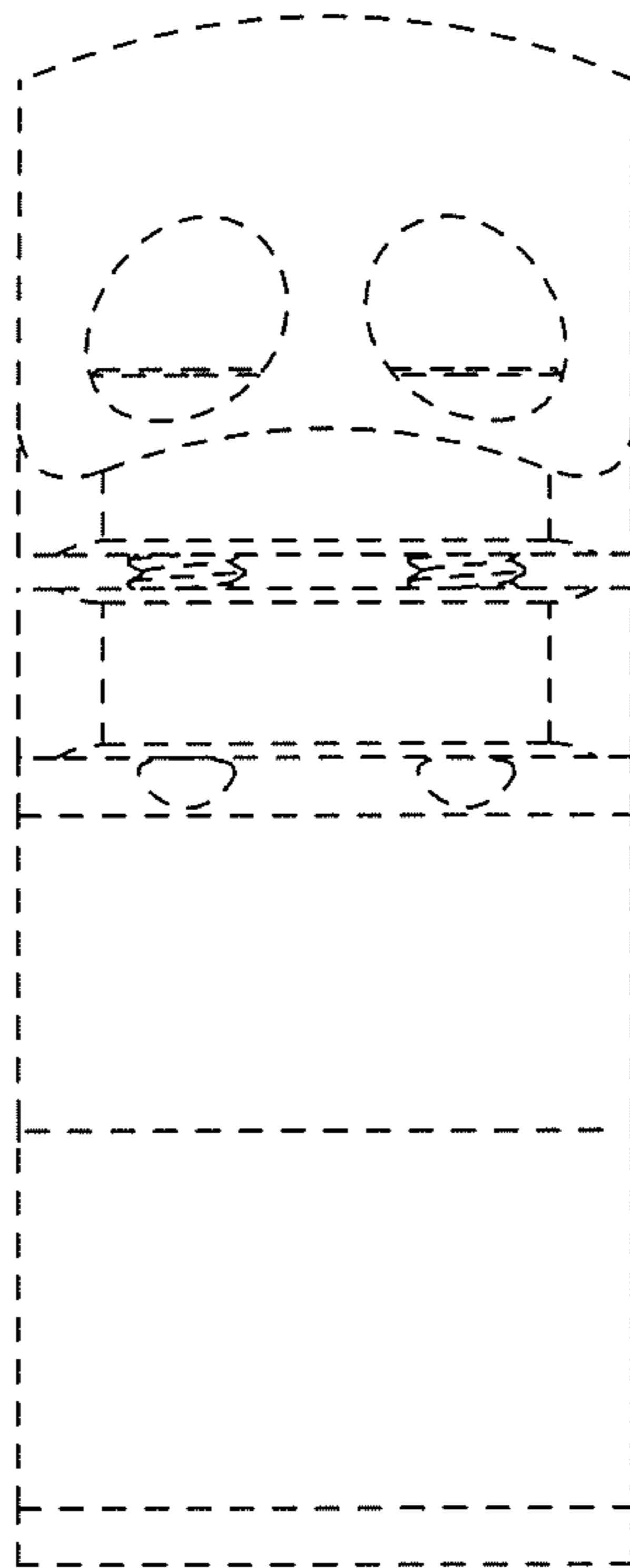


FIG. 6

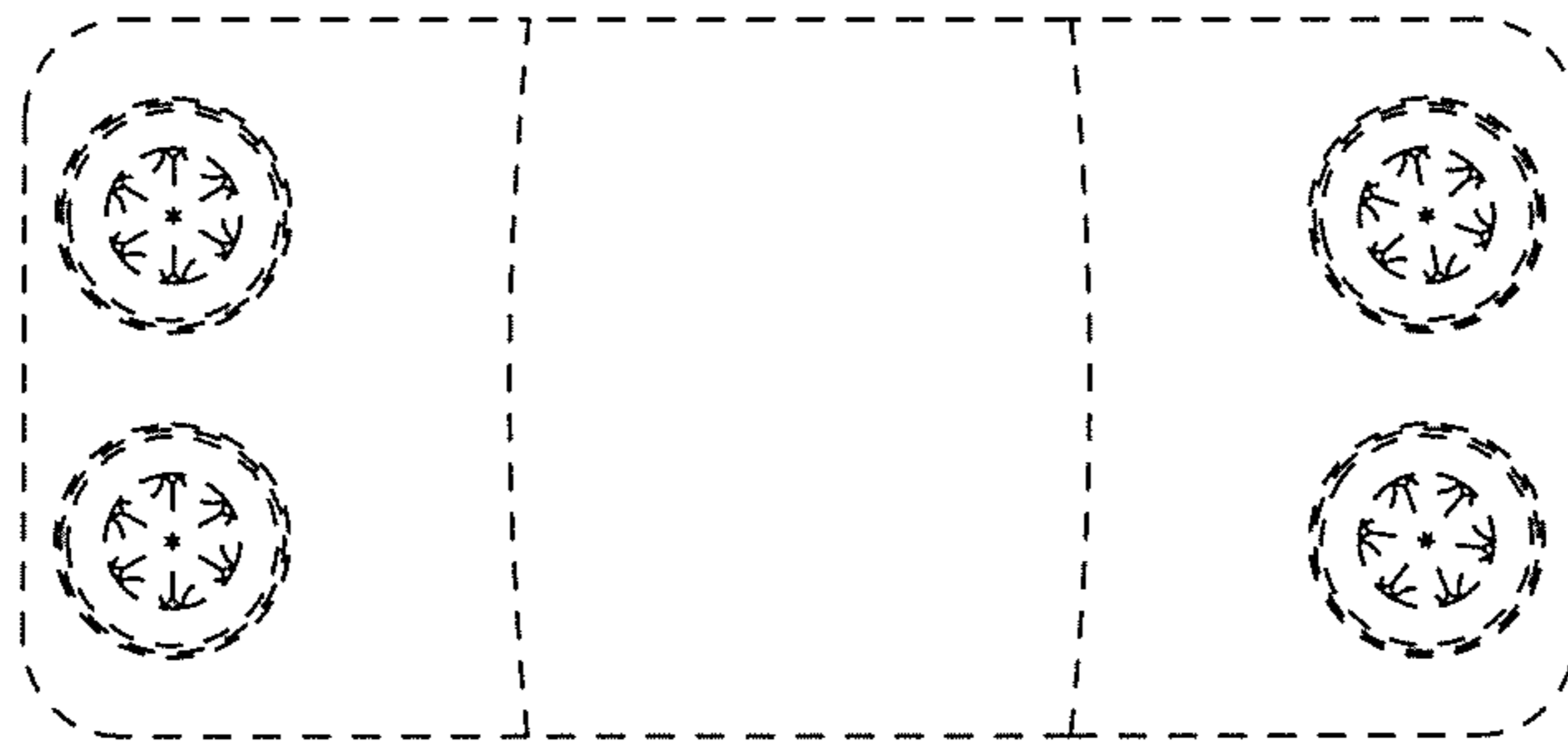


FIG. 7

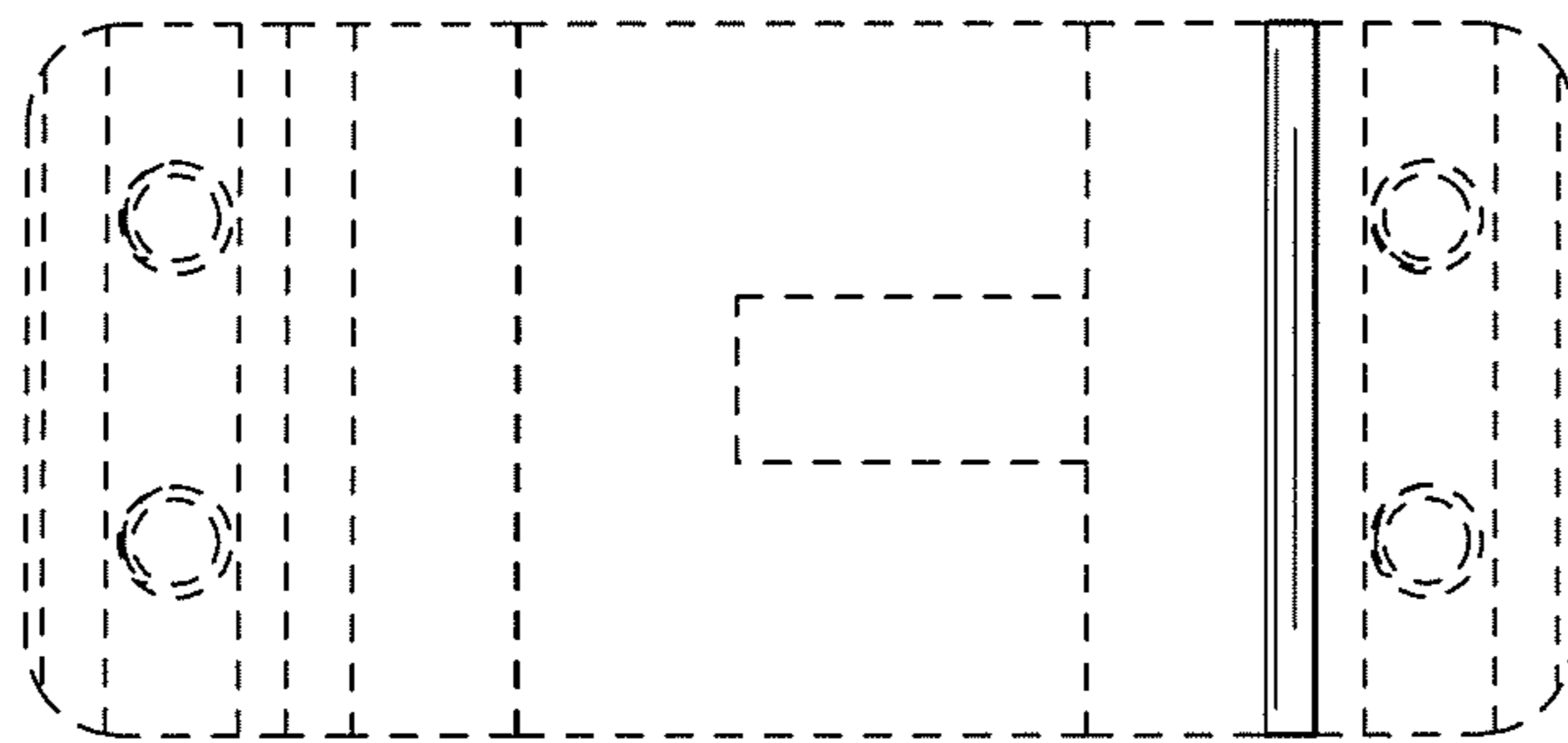


FIG. 8