



US00D771217S

(12) **United States Design Patent**  
**Bailey**

(10) **Patent No.:** **US D771,217 S**

(45) **Date of Patent:** **\*\* Nov. 8, 2016**

(54) **MAGAZINE GUIDE**

(71) Applicant: **Ryan P. Bailey**, Whitsett, NC (US)

(72) Inventor: **Ryan P. Bailey**, Whitsett, NC (US)

(\*\*) Term: **14 Years**

(21) Appl. No.: **29/520,255**

(22) Filed: **Mar. 12, 2015**

(51) **LOC (10) Cl.** ..... **22-01**

(52) **U.S. Cl.**  
USPC ..... **D22/109**

(58) **Field of Classification Search**  
USPC ..... D22/103, 108  
CPC ..... F41A 9/70; F41A 9/65; F41A 9/71;  
F41A 9/68; F41A 9/69; F41A 11/02; F41A  
9/61; F41A 9/00; F41A 9/17; F41A 9/23;  
F41A 9/34; F41A 9/84  
See application file for complete search history.

(56) **References Cited**

**U.S. PATENT DOCUMENTS**

1,572,450	A *	2/1926	Swebilius	.....	F41A 3/40 42/75.03
2,118,536	A *	5/1938	Browning	.....	F41A 17/46 42/16
2,856,720	A *	10/1958	Kunz	.....	F41A 9/84 42/87
3,178,845	A *	4/1965	Sullivan	.....	F41A 9/17 42/17

4,467,698	A *	8/1984	Perrine	.....	F41A 3/50 42/25
5,367,810	A *	11/1994	Stead	.....	F41A 9/72 42/17
6,164,000	A *	12/2000	Lumplecker	.....	F41A 9/71 42/17
8,959,818	B2 *	2/2015	Mayerl	.....	F41A 9/55 42/6
9,228,788	B1 *	1/2016	Simon	.....	F41A 9/70
2010/0083818	A1 *	4/2010	Harris	.....	F41A 9/73 89/33.02

\* cited by examiner

*Primary Examiner* — Michael A Pratt

(74) *Attorney, Agent, or Firm* — Tuggle Duggins P.A.;  
Blake Hurt

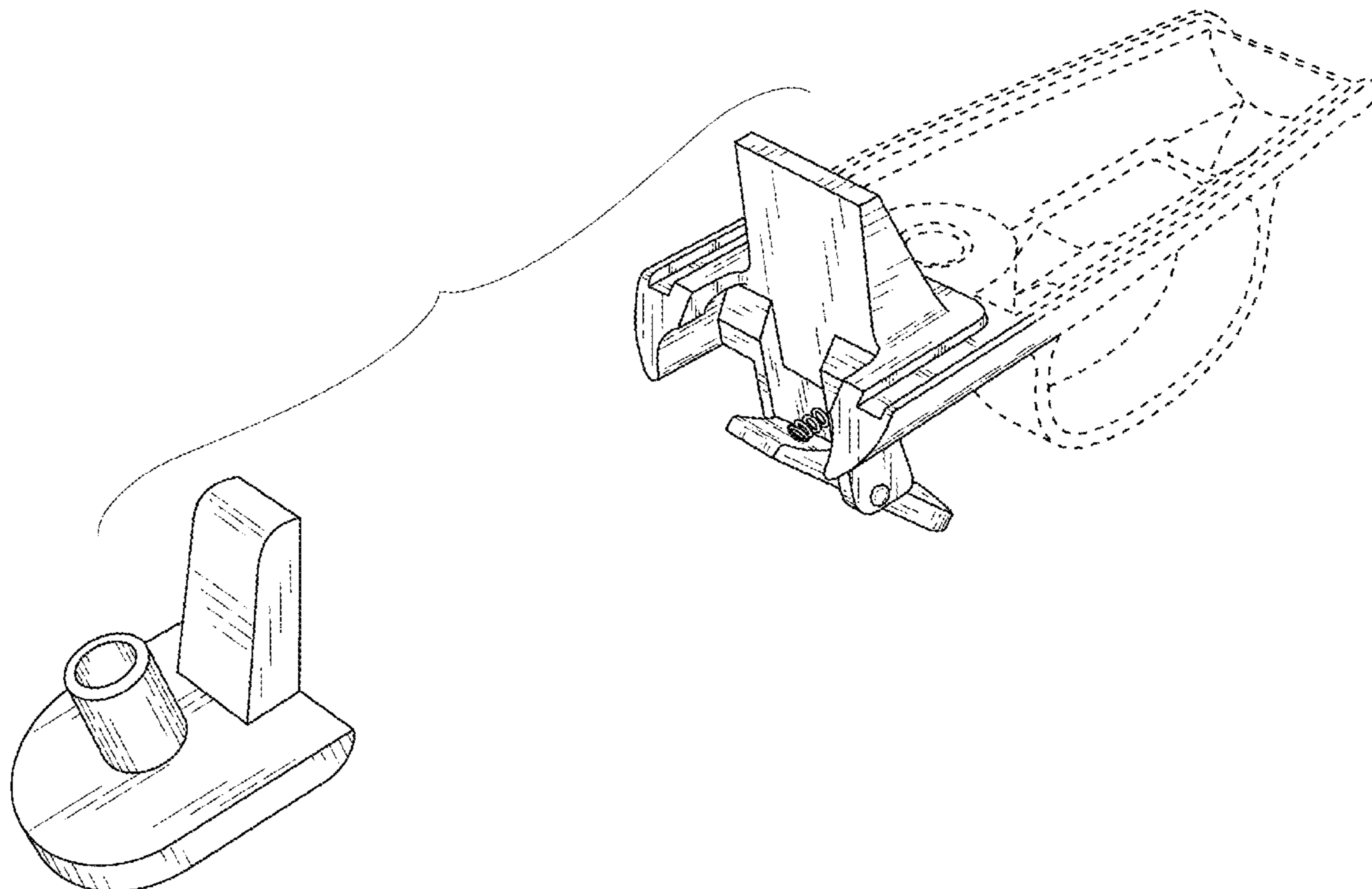
(57) **CLAIM**

The ornamental design for a magazine guide, as shown and described.

**DESCRIPTION**

FIG. 1 is a top, front, right side perspective view of a magazine guide showing my new design; FIG. 2 is a front elevational view thereof; FIG. 3 is a rear elevational view thereof; FIG. 4 is a right side elevational view thereof, the left side elevational view being a mirror image thereof; FIG. 5 is a top plan view thereof; and, FIG. 6 is a bottom plan view thereof. The broken lines in the drawings illustrate portions of the magazine guide which form no part of the claimed design.

**1 Claim, 3 Drawing Sheets**



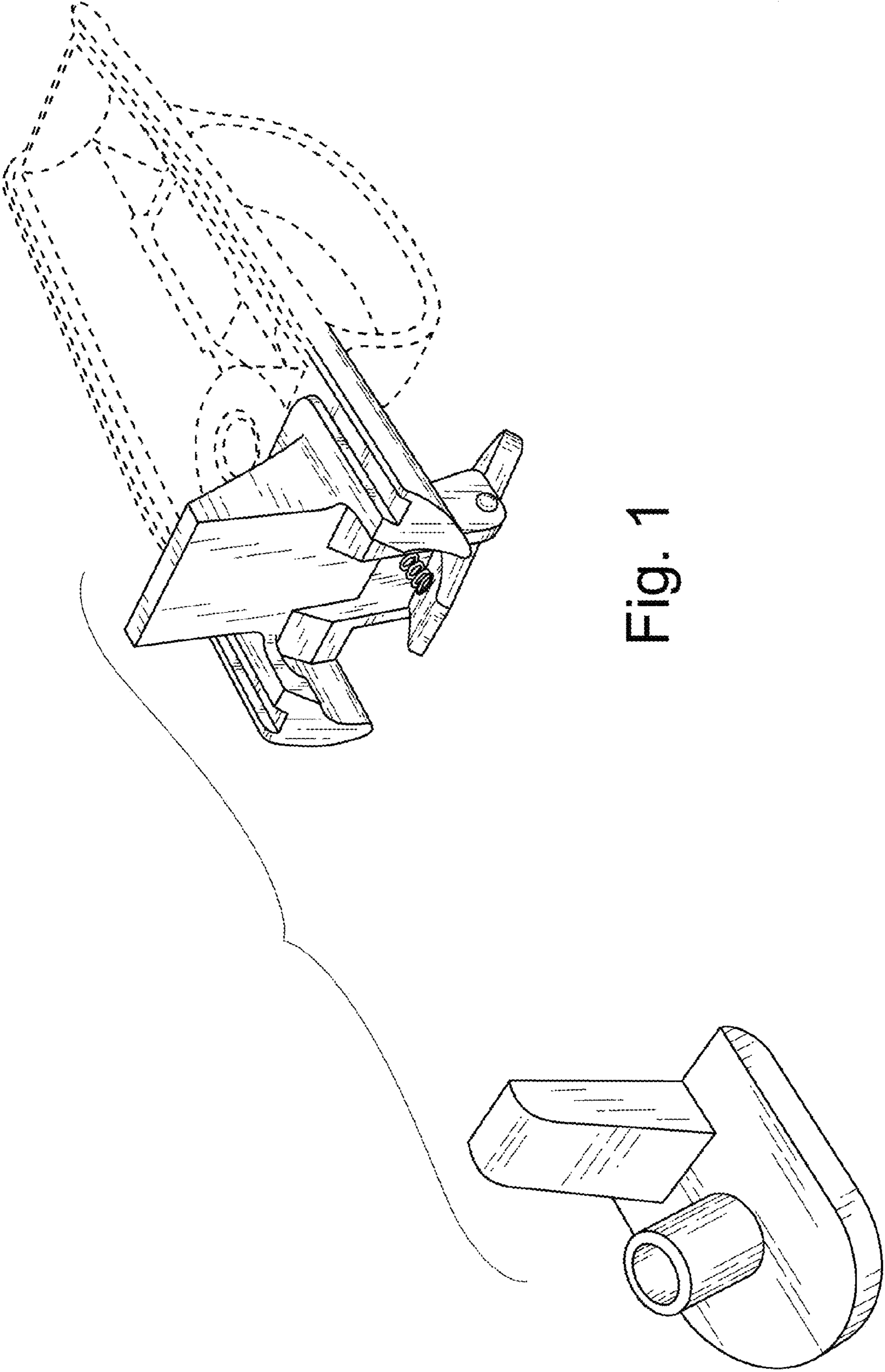


Fig. 1

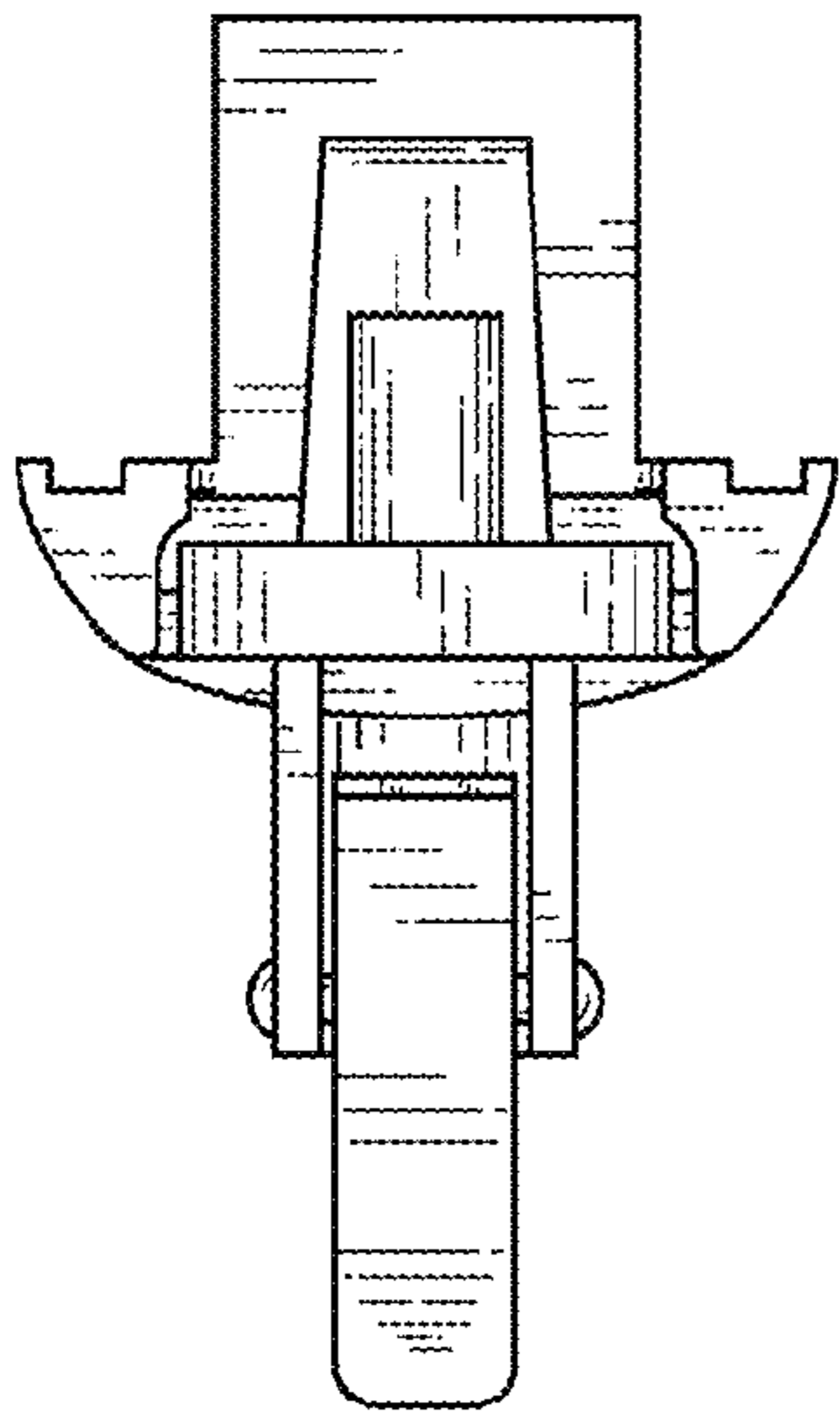


Fig. 2

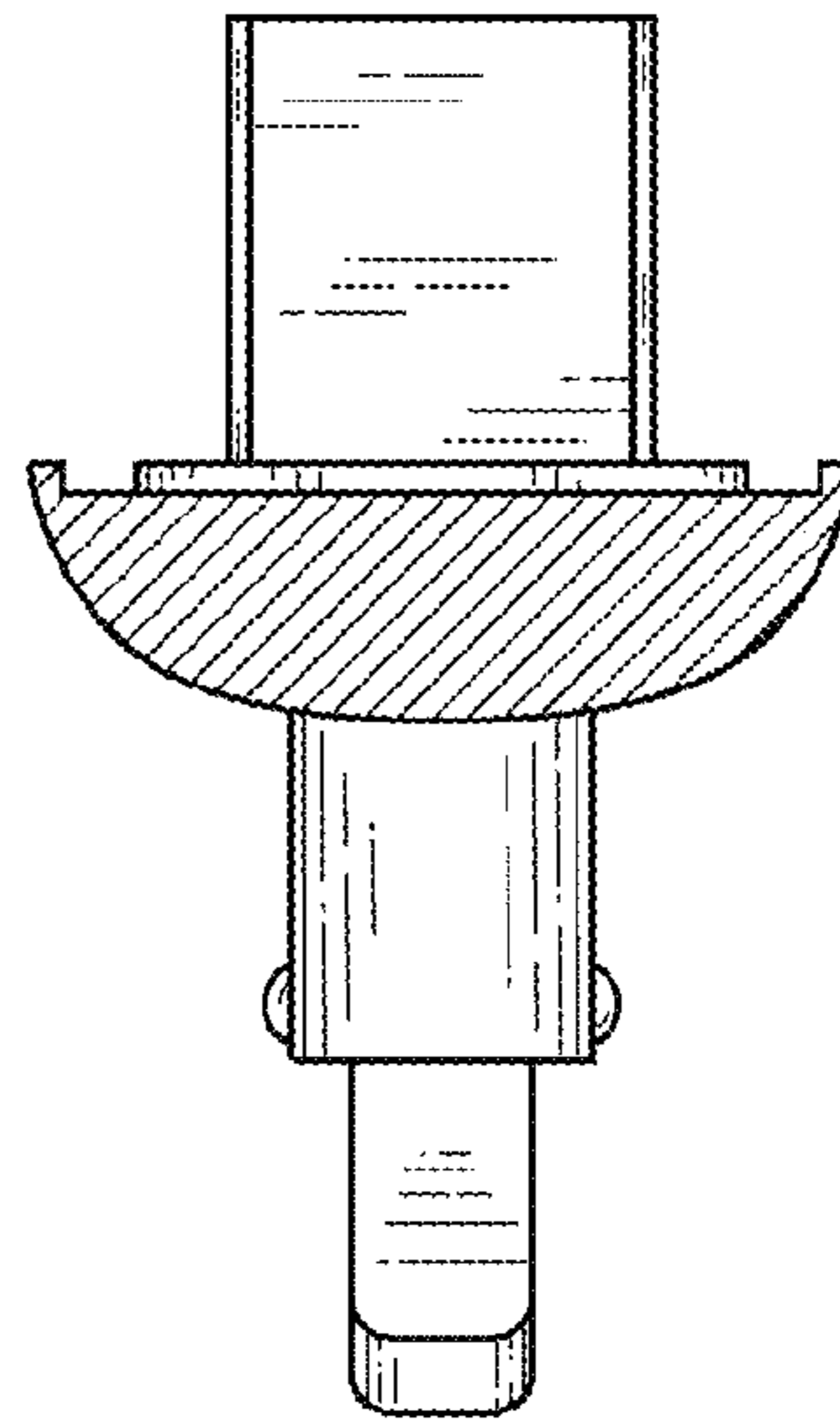


Fig. 3

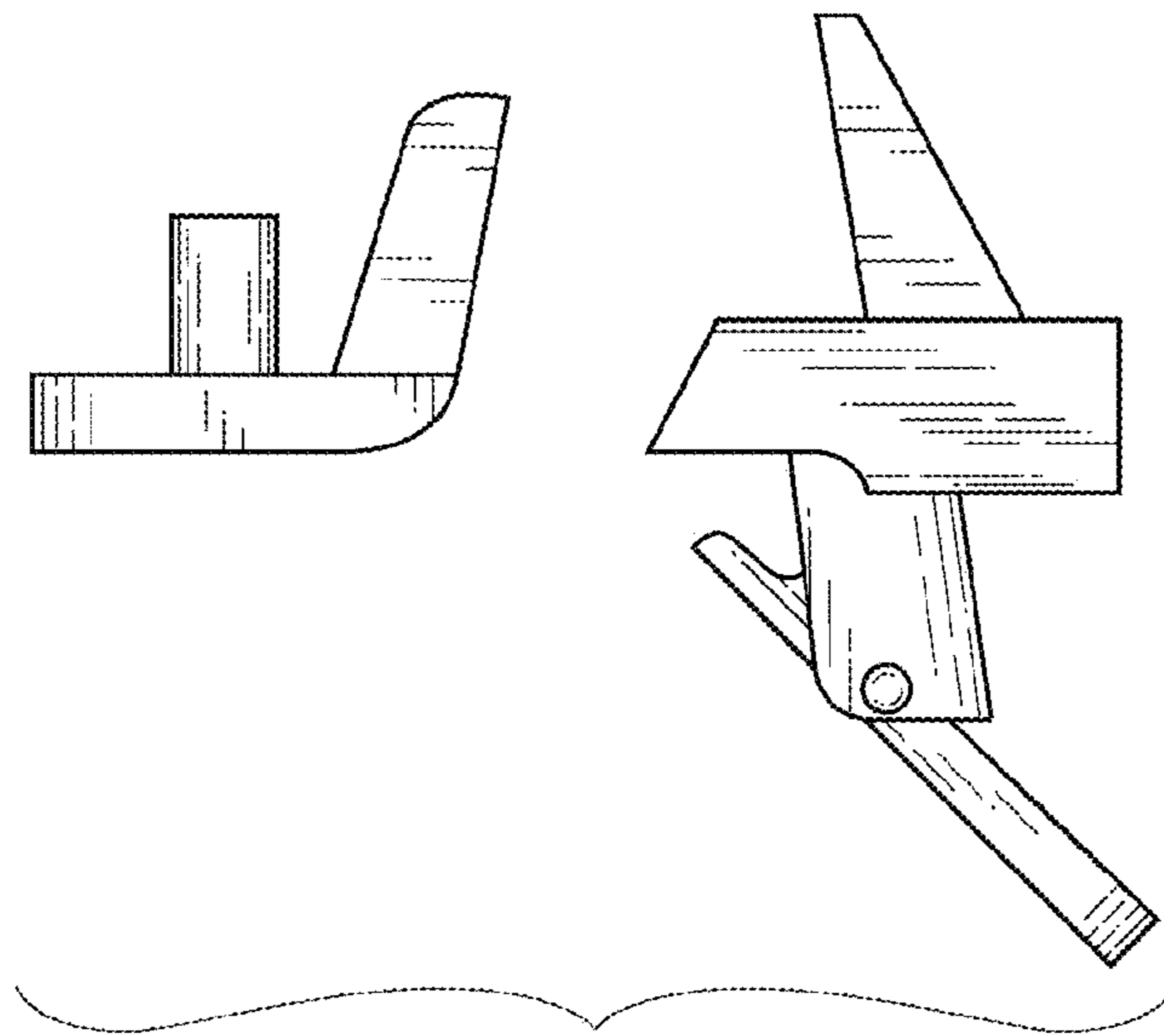


Fig. 4

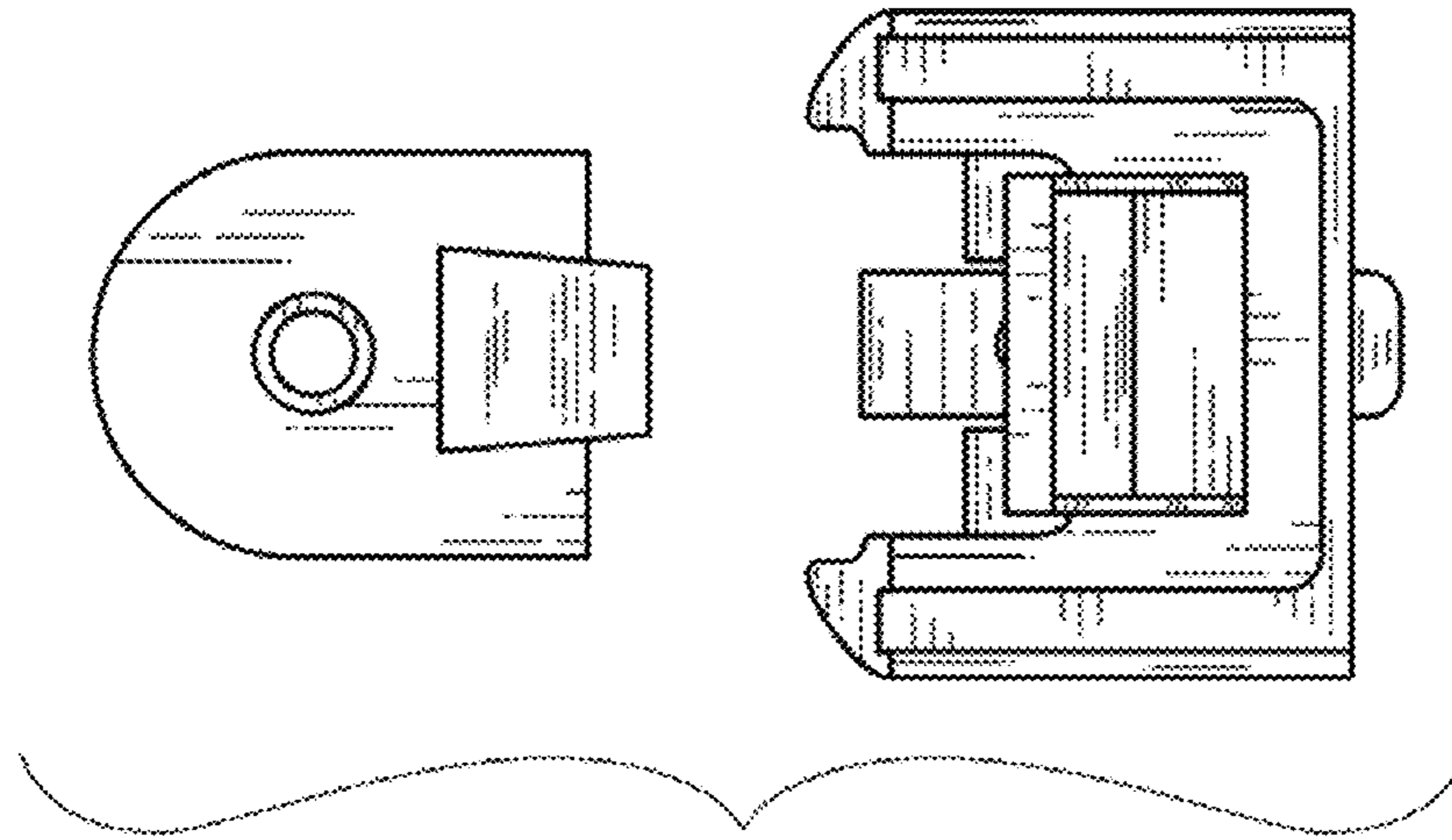


Fig. 5

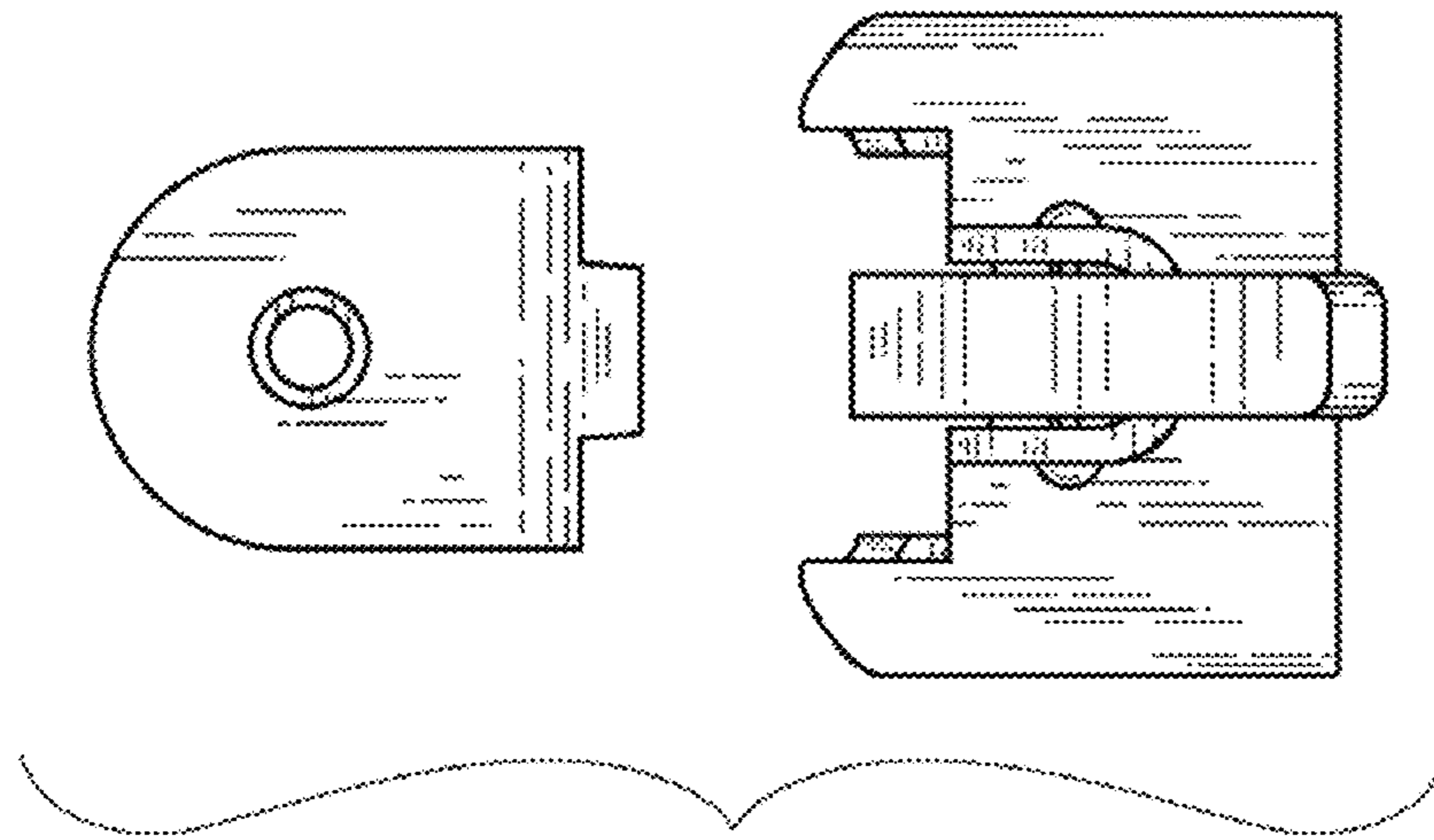


Fig. 6