



US00D771216S

(12) **United States Design Patent** (10) **Patent No.:** **US D771,216 S**
Dubois (45) **Date of Patent:** **** Nov. 8, 2016**

(54) **RIFLE HAND GUARD**

(71) Applicant: **Smith & Wesson Corp.**, Springfield, MA (US)

(72) Inventor: **Jason Dubois**, North Smithfield, RI (US)

(73) Assignee: **Smith & Wesson Corp.**, Springfield, MA (US)

(**) Term: **14 Years**

(21) Appl. No.: **29/519,455**

(22) Filed: **Mar. 5, 2015**

(51) **LOC (10) Cl.** **22-01**

(52) **U.S. Cl.**
USPC **D22/108**

(58) **Field of Classification Search**
USPC D22/108; D8/68
CPC F41C 23/10; F41C 23/14; F41C 23/16;
F41C 23/18

See application file for complete search history.

(56) **References Cited**

U.S. PATENT DOCUMENTS

D616,520 S *	5/2010	Starnes	D22/108
D616,521 S *	5/2010	Starnes	D22/108
D674,859 S *	1/2013	Robbins	D22/108
8,453,364 B2 *	6/2013	Kucynko	F41C 23/16
				42/71.01
D709,582 S *	7/2014	Geissele	D22/108
D715,885 S *	10/2014	Silvers	D22/108
D721,407 S *	1/2015	Chu	D21/574
D747,426 S *	1/2016	Cheng	D22/108
2010/0212201 A1 *	8/2010	Kincel	F41G 11/003
				42/2
2015/0135576 A1 *	5/2015	Wells	F41C 23/16
				42/90

* cited by examiner

Primary Examiner — Michael A Pratt

(74) *Attorney, Agent, or Firm* — John A. Chionchio, Esq.; Ballard Spahr LLP

(57) **CLAIM**

The ornamental design for a rifle hand guard, as shown and described.

DESCRIPTION

FIG. 1 is an isometric view of an embodiment of my design for a rifle hand guard;

FIG. 2 is a front view of the design for the rifle hand guard shown in FIG. 1;

FIG. 3 is a rear view of the design for the rifle hand guard shown in FIG. 1;

FIG. 4 is a top view of the design for the rifle hand guard shown in FIG. 1;

FIG. 5 is a bottom view of the design for the rifle hand guard shown in FIG. 1; and

FIG. 6 is a right side view of the design for the rifle hand guard shown in FIG. 1, the left side view being a mirror image thereof;

FIG. 7 is an isometric view of an embodiment of my design for a rifle hand guard;

FIG. 8 is a front view of the design for the rifle hand guard shown in FIG. 7;

FIG. 9 is a rear view of the design for the rifle hand guard shown in FIG. 7;

FIG. 10 is a top view of the design for the rifle hand guard shown in FIG. 7;

FIG. 11 is a bottom view of the design for the rifle hand guard shown in FIG. 7; and,

FIG. 12 is a right side view of the design for the rifle hand guard shown in FIG. 7, the left side view being a mirror image thereof.

The dotted lines are for illustrative purposes only and form no part of the claimed design.

1 Claim, 4 Drawing Sheets

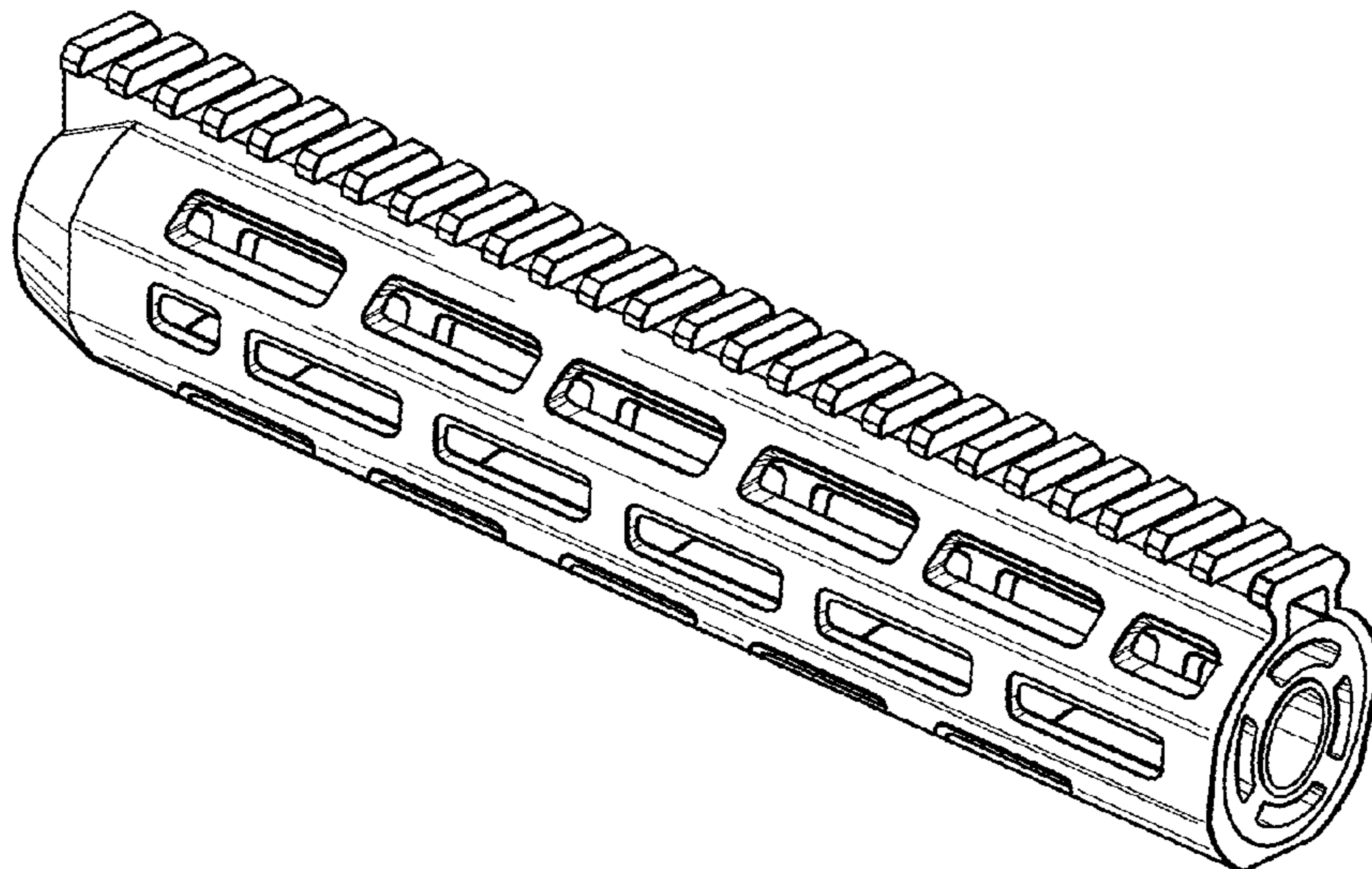


FIG. 1

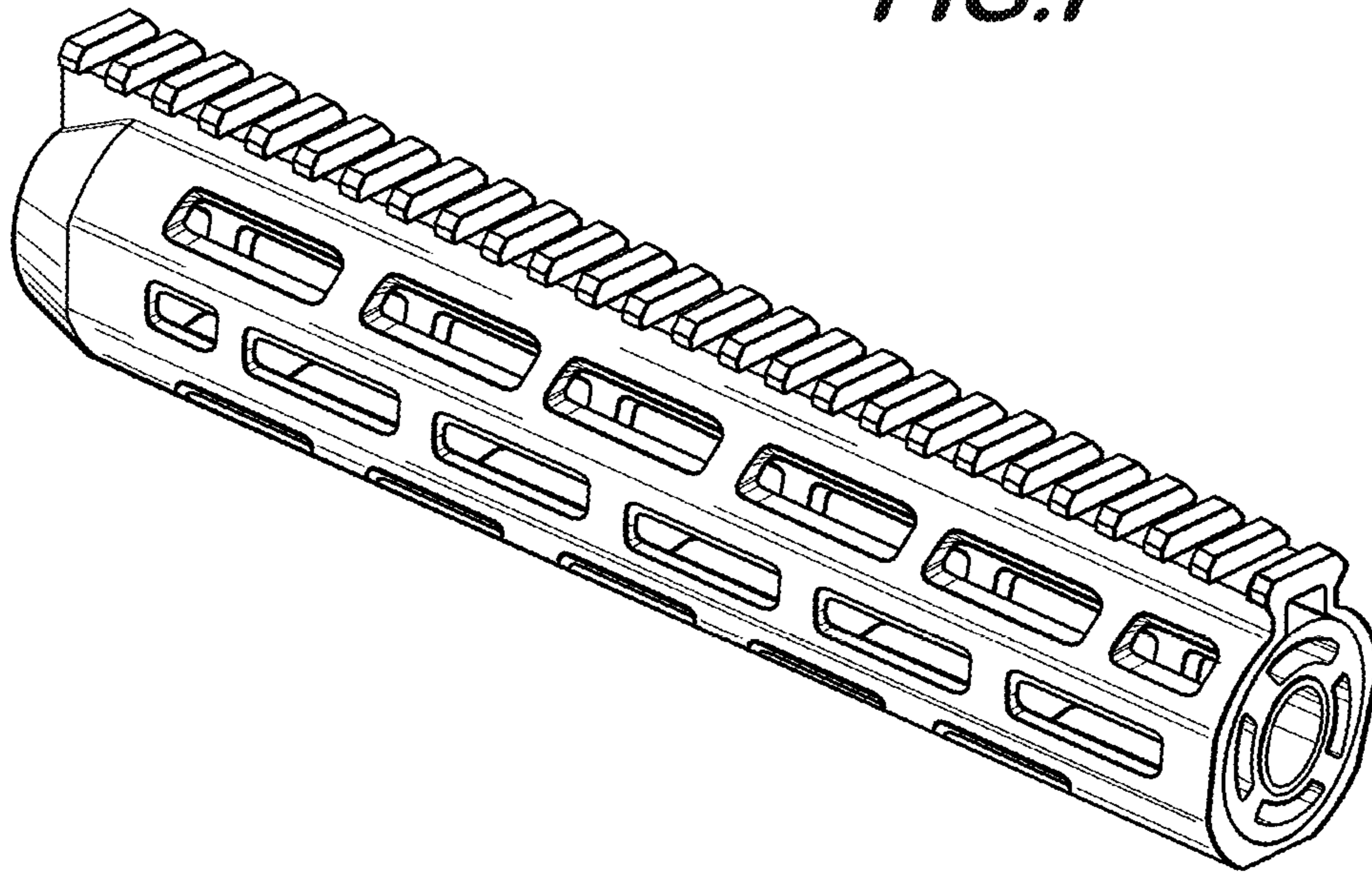


FIG. 2

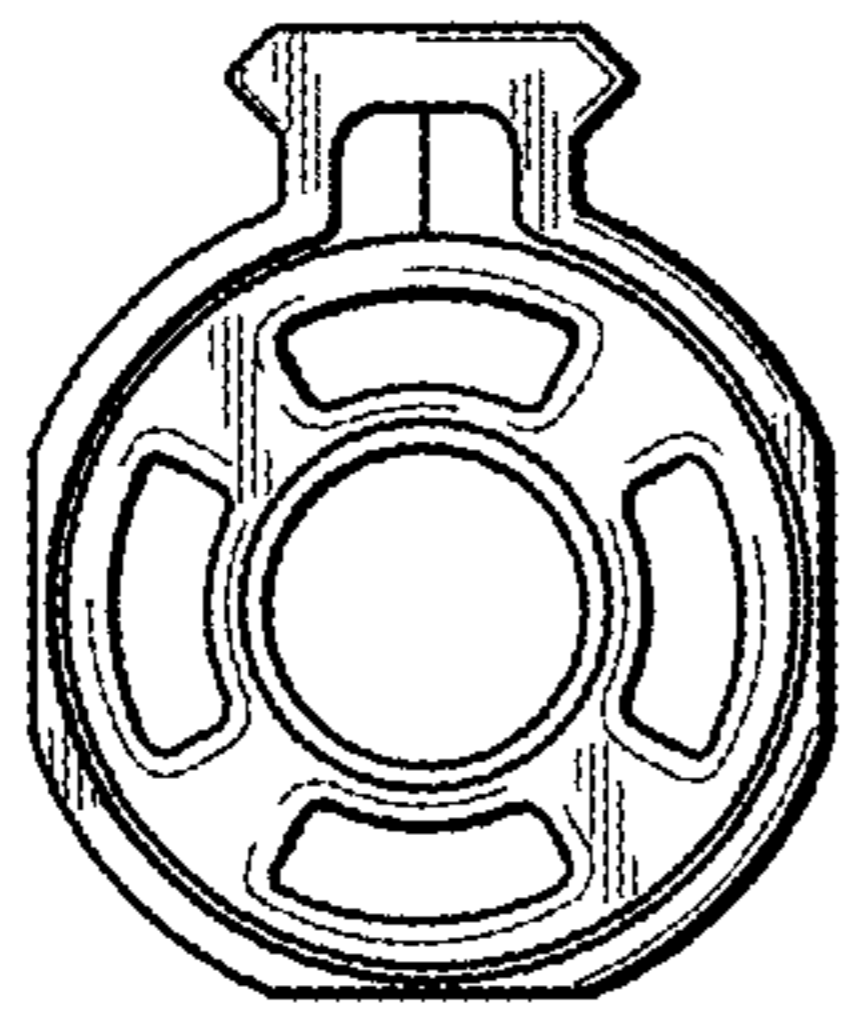


FIG. 3

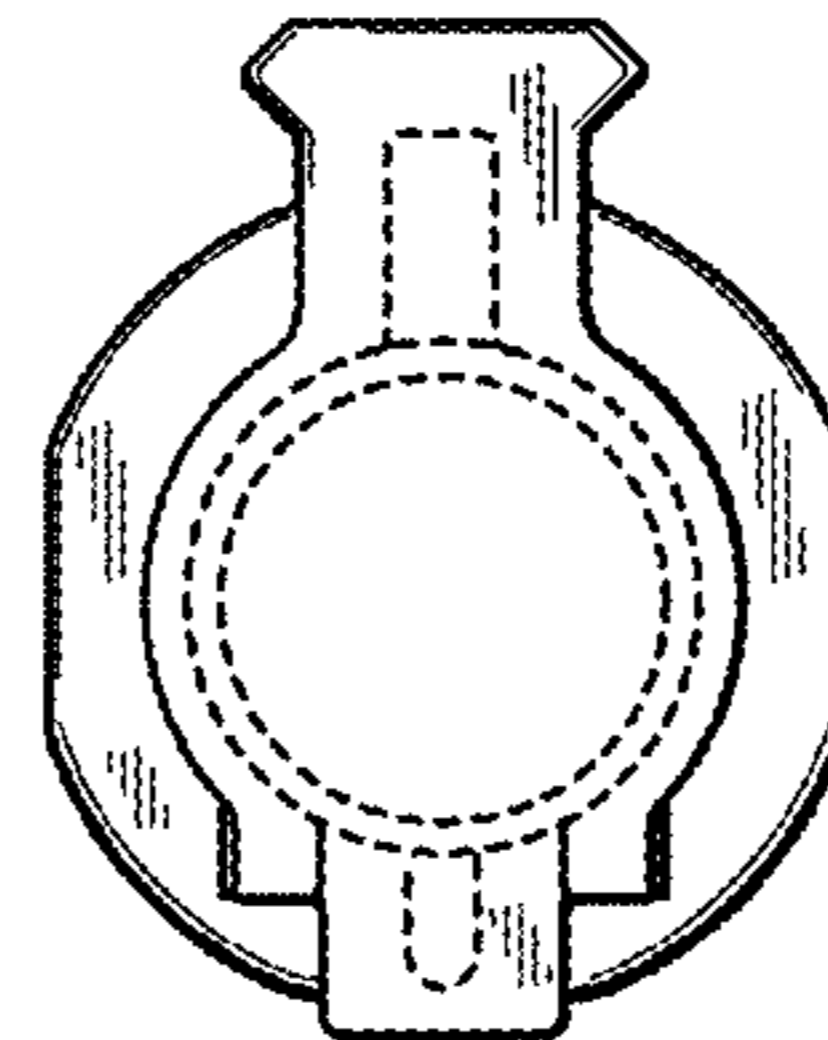


FIG. 4

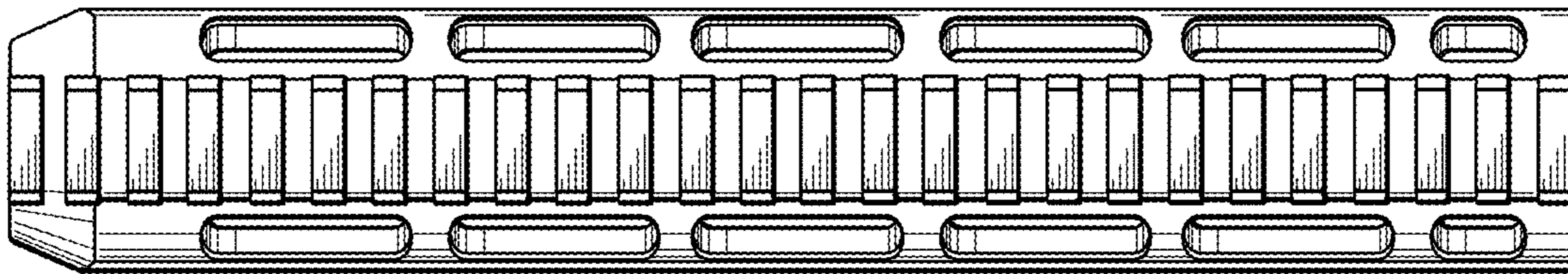


FIG. 5

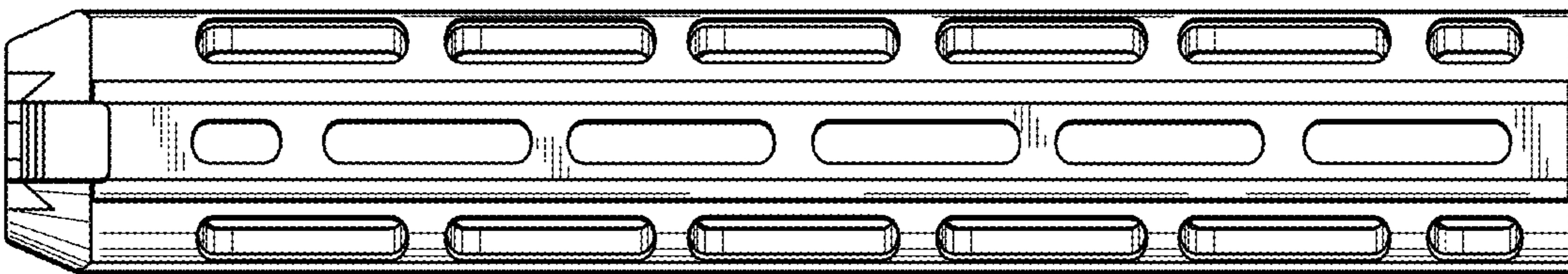


FIG. 6

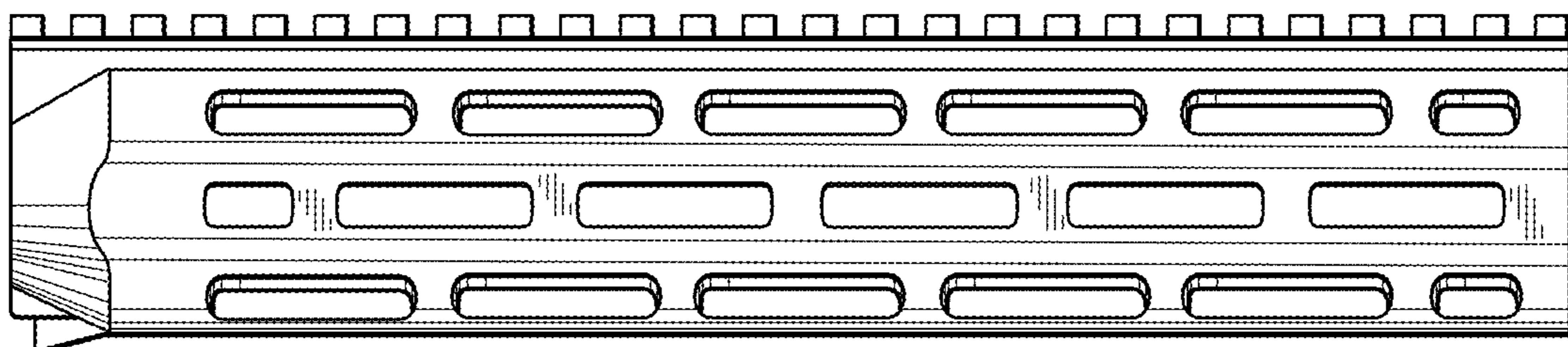


FIG. 7

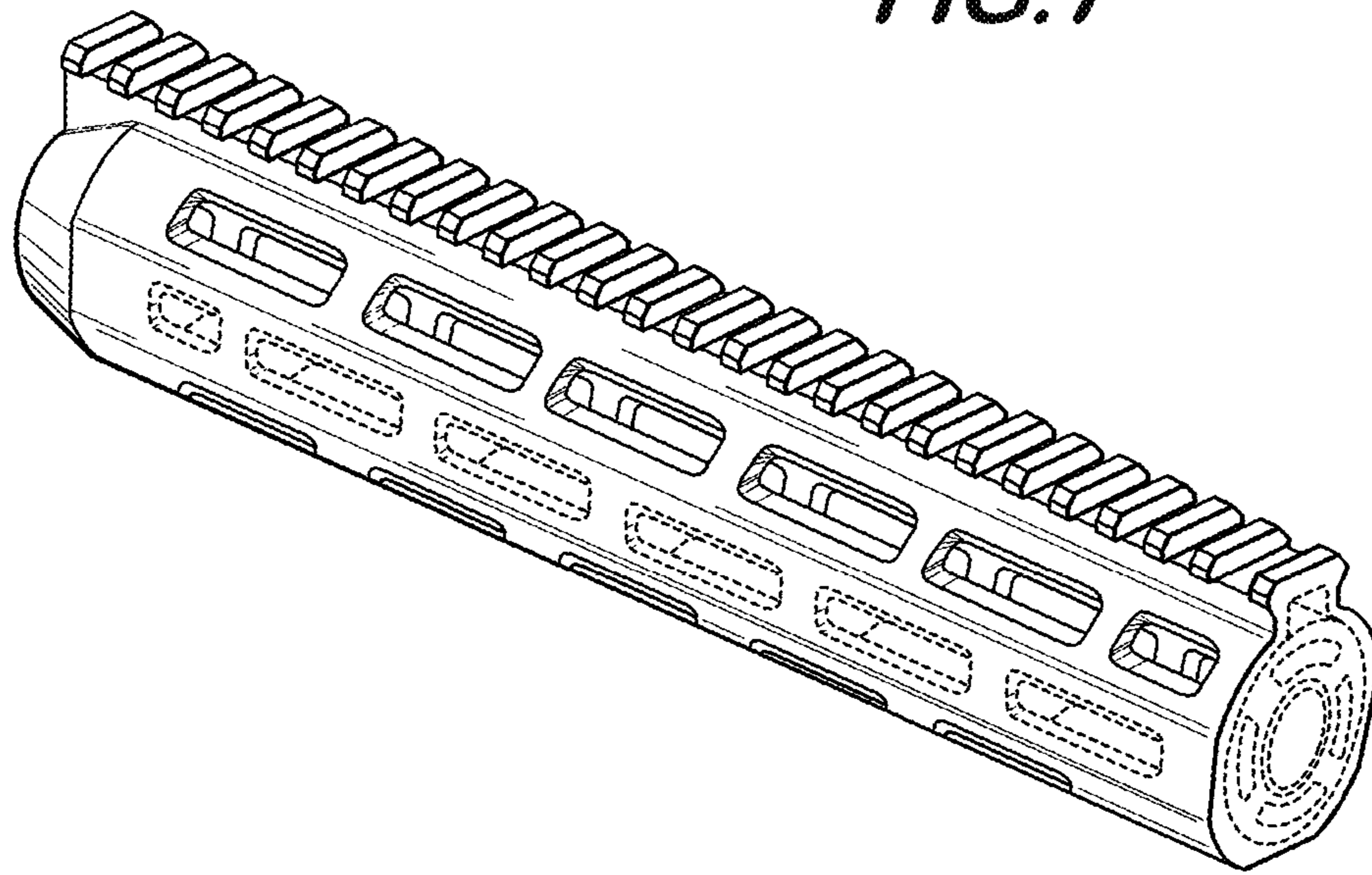


FIG. 8

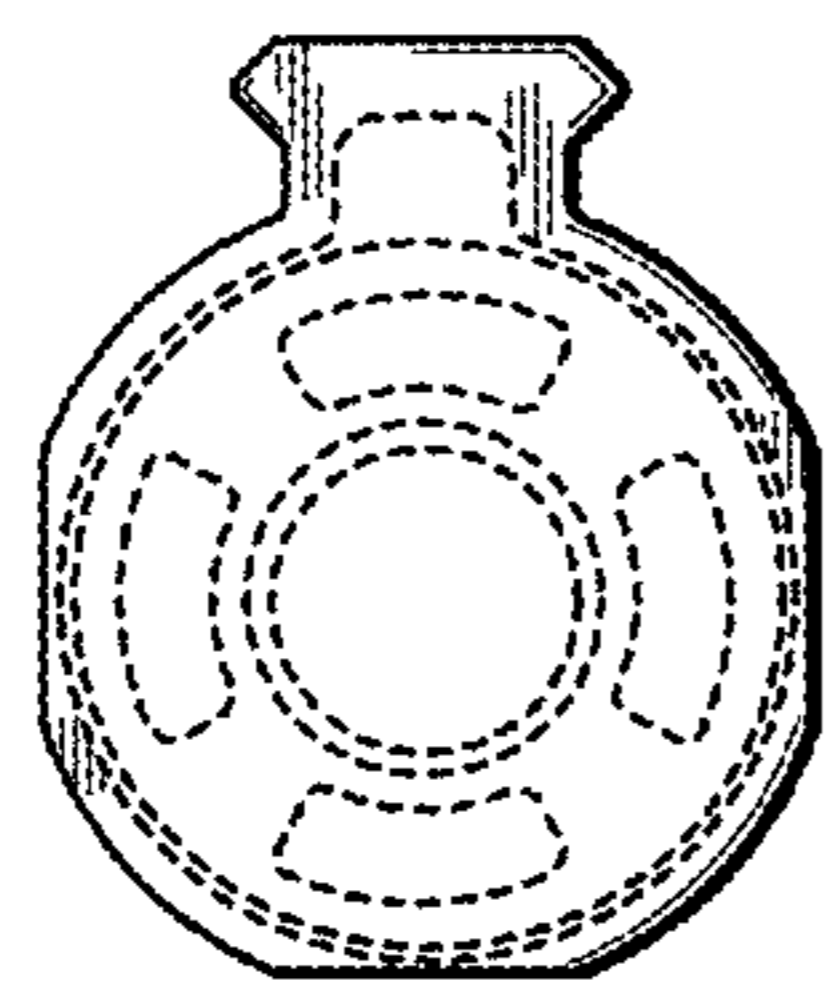


FIG. 9

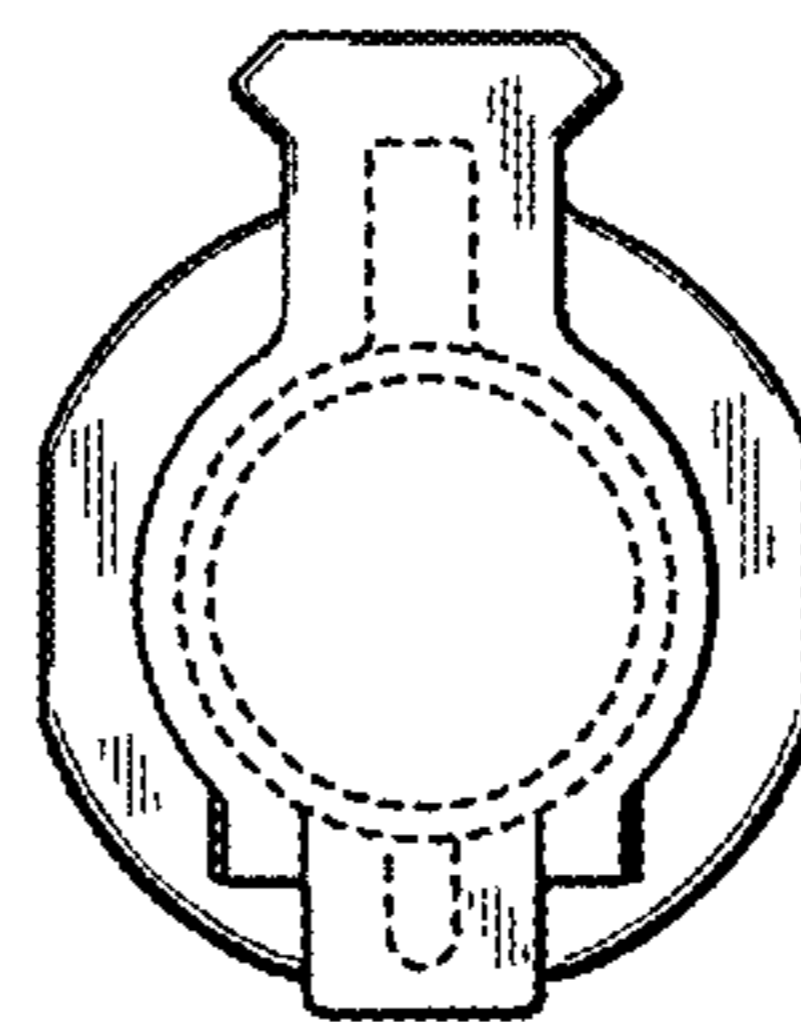


FIG. 10

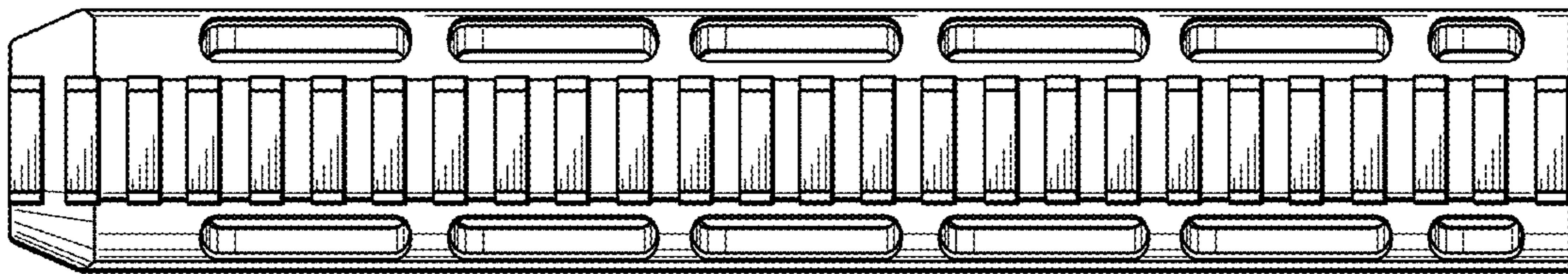


FIG. 11

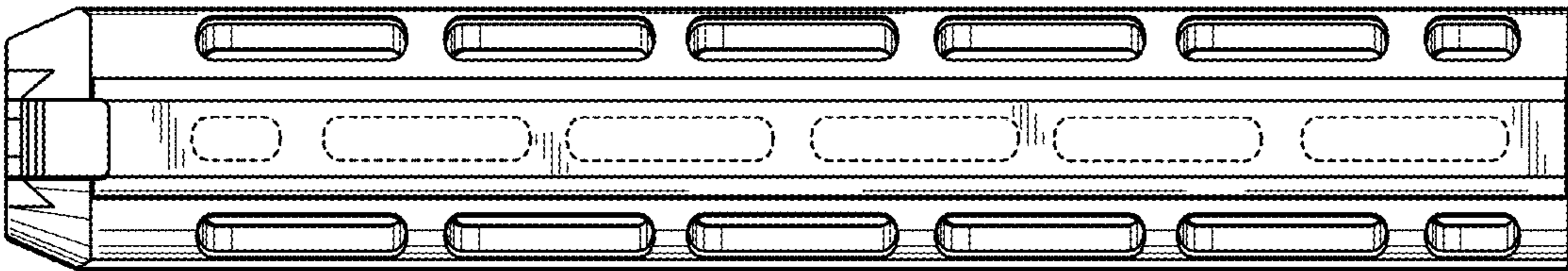


FIG. 12

