



US00D771215S

(12) **United States Design Patent**  
**Wolf**

(10) **Patent No.:** **US D771,215 S**  
(45) **Date of Patent:** **\*\* Nov. 8, 2016**

- (54) **FIRING PIN FOR A FIREARM**
- (71) Applicant: **ZEV Technologies, Inc.**, Oxnard, CA (US)
- (72) Inventor: **Alec Daniel Wolf**, Newbury Park, CA (US)
- (73) Assignee: **ZEV Technologies, Inc.**, Oxnard, CA (US)

5,655,326 A *	8/1997	Levavi .....	F41A 19/34 42/70.01
6,308,448 B1 *	10/2001	Kapusta .....	F41A 19/31 42/69.02
7,392,611 B2 *	7/2008	Curry .....	F41A 11/00 42/106
8,176,836 B2 *	5/2012	Peev .....	F41A 19/32 42/69.02
8,739,445 B2 *	6/2014	Burke .....	F41A 11/02 42/16
2016/0025442 A1 *	1/2016	Mundy .....	F41A 33/06 434/18

(\*\*) Term: **14 Years**

\* cited by examiner

(21) Appl. No.: **29/518,261**

*Primary Examiner* — Michael A Pratt

(22) Filed: **Feb. 20, 2015**

(74) *Attorney, Agent, or Firm* — Knobbe Martens Olson & Bear LLP

(51) **LOC (10) Cl.** ..... **22-01**

(57) **CLAIM**

(52) **U.S. Cl.**  
USPC ..... **D22/108**

The ornamental design for the firing pin for a firearm, as shown and described.

(58) **Field of Classification Search**  
USPC ..... D22/108  
CPC ..... F41C 3/14; F41C 3/16; F41C 3/04;  
F41A 3/66; F41A 19/14; F41A 3/12; F41A  
11/00; F41A 15/14; F41A 19/30; F41A 3/14;  
F41A 3/54  
See application file for complete search history.

**DESCRIPTION**

FIG. 1 is a perspective view of the firing pin for a firearm; FIG. 2 is a front view of the firing pin of FIG. 1; FIG. 3 is a back of the firing pin of FIG. 1; FIG. 4 is a left side view of the firing pin of FIG. 1; FIG. 5 is a right side view of the firing pin of FIG. 1; FIG. 6 is a top view of the firing pin of FIG. 1; FIG. 7 is a bottom view of the firing pin of FIG. 1; and, FIG. 8 is a left side view of the firing pin of FIG. 1 as mounted in a firearm.

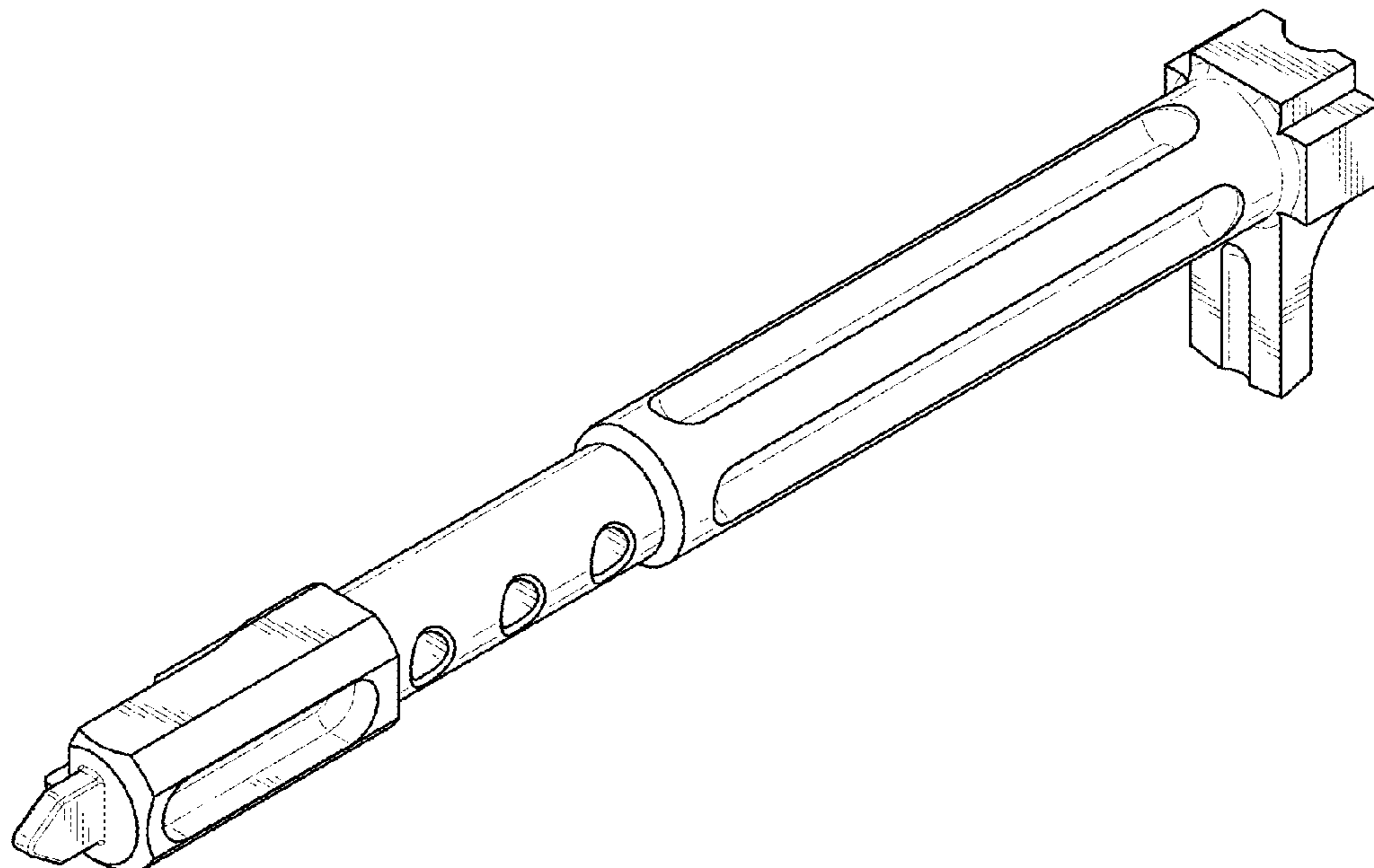
The broken line showing of FIG. 8 is for the purpose of illustrating the firearm that houses the firing pin, and forms no part of the claimed design.

(56) **References Cited**

U.S. PATENT DOCUMENTS

4,893,546 A *	1/1990	Glock .....	F41A 5/04 89/145
5,537,769 A *	7/1996	Hargraves .....	F41A 19/13 42/69.01

**1 Claim, 5 Drawing Sheets**



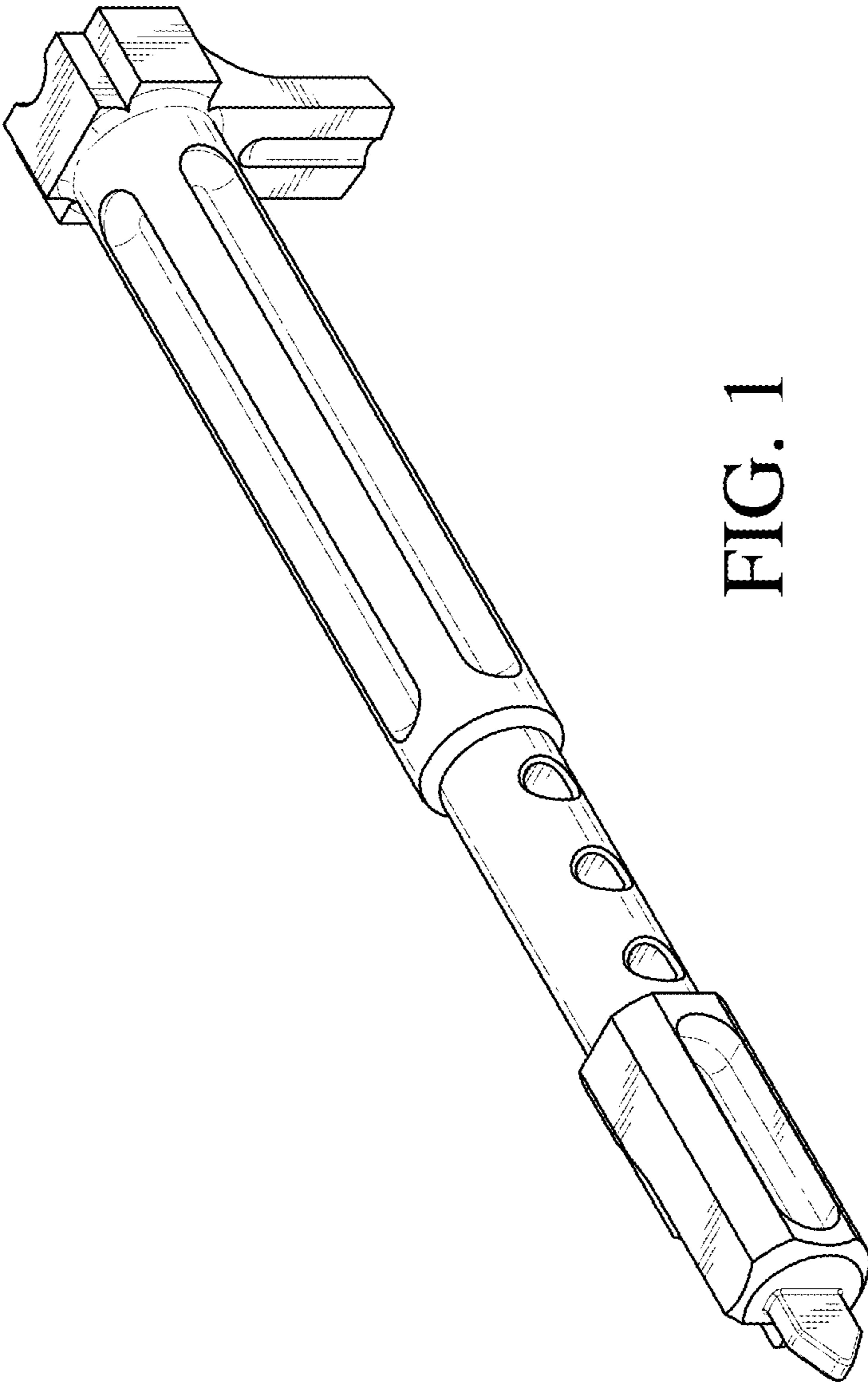


FIG. 1

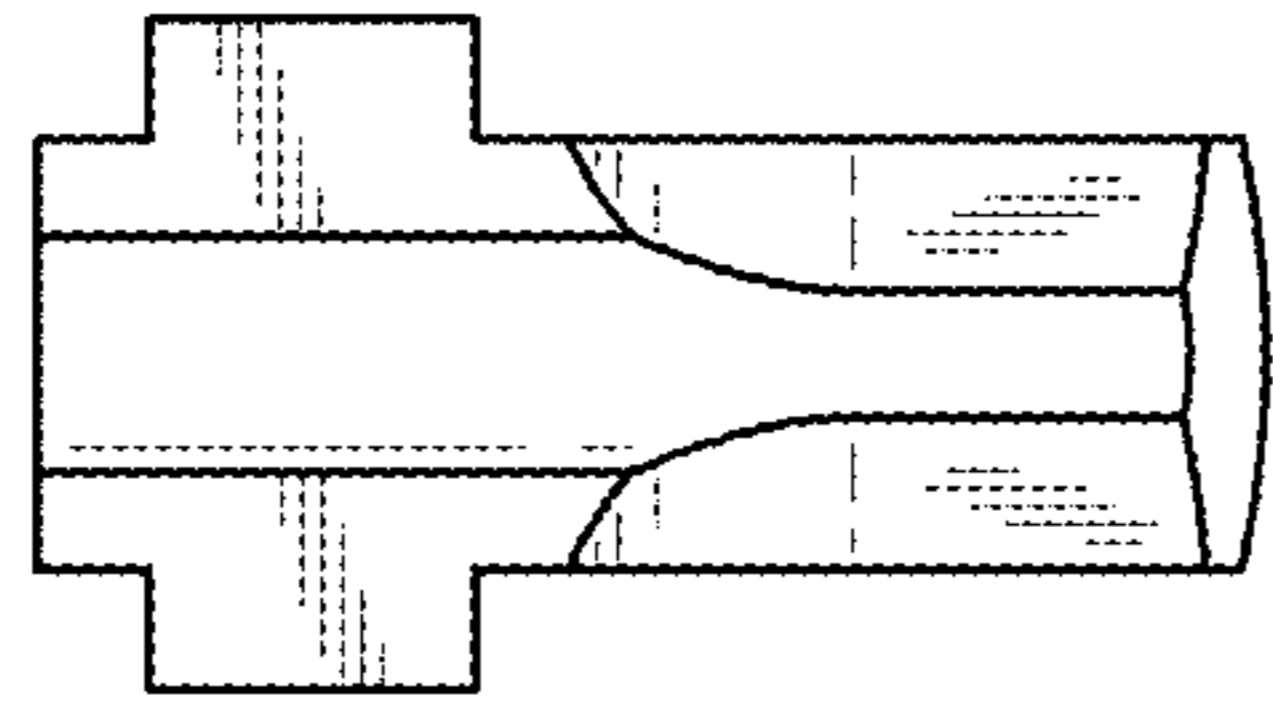


FIG. 3

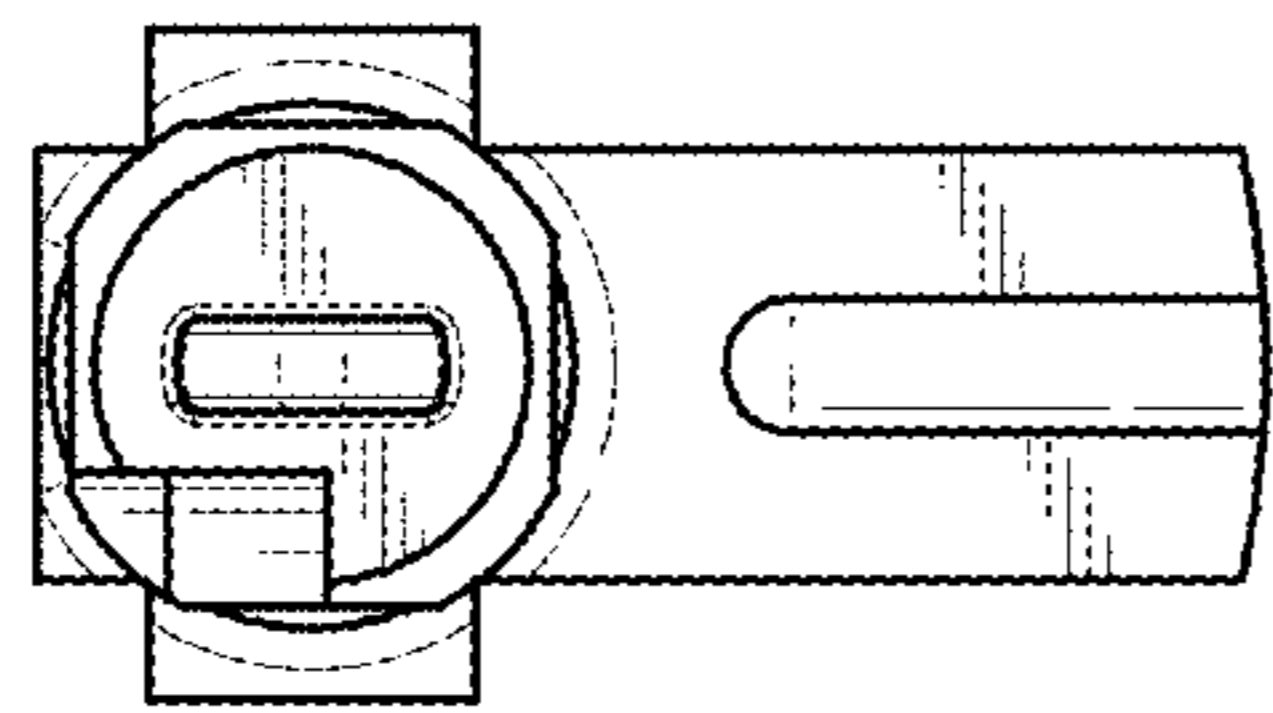


FIG. 2

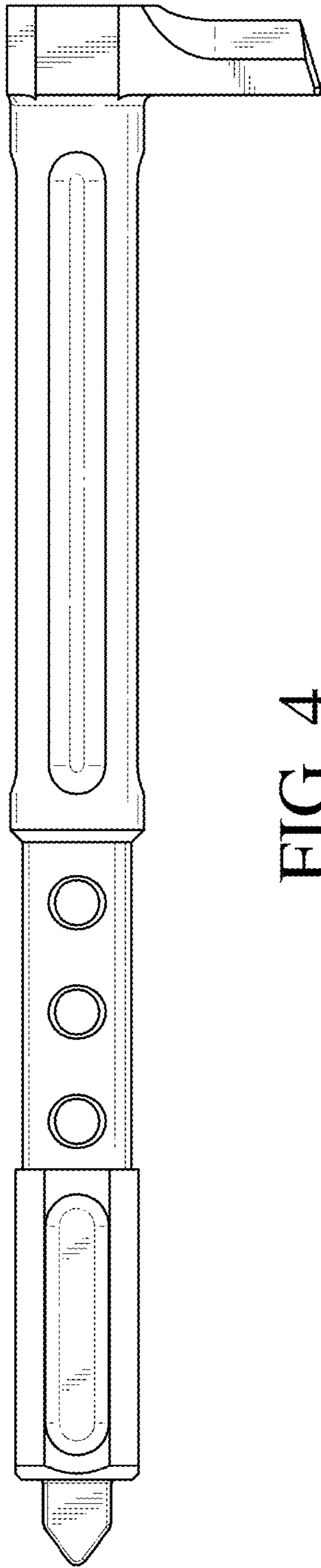


FIG. 4

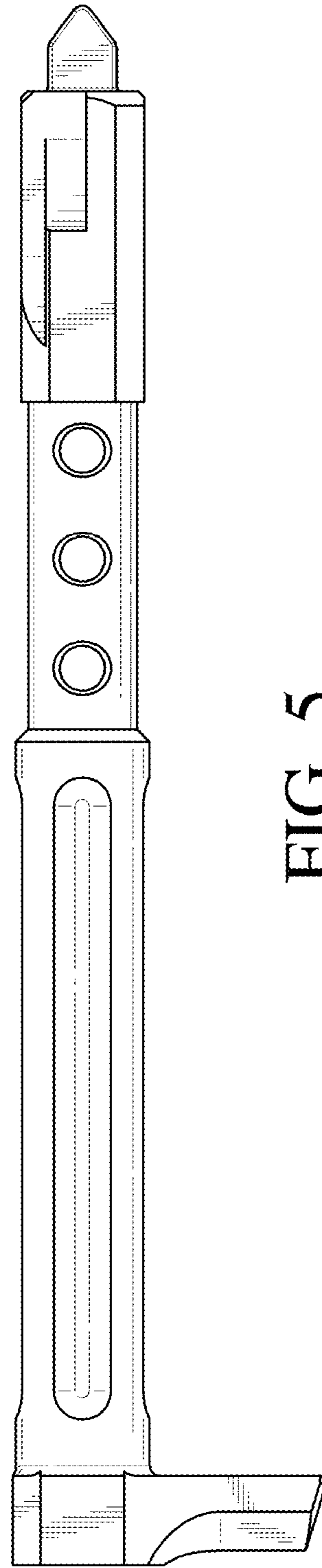


FIG. 5

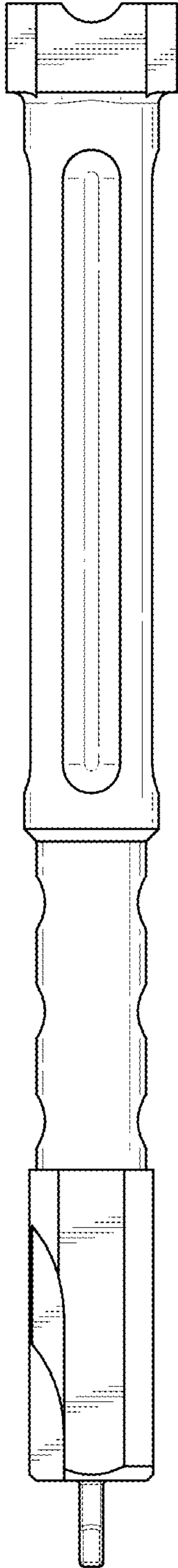


FIG. 6

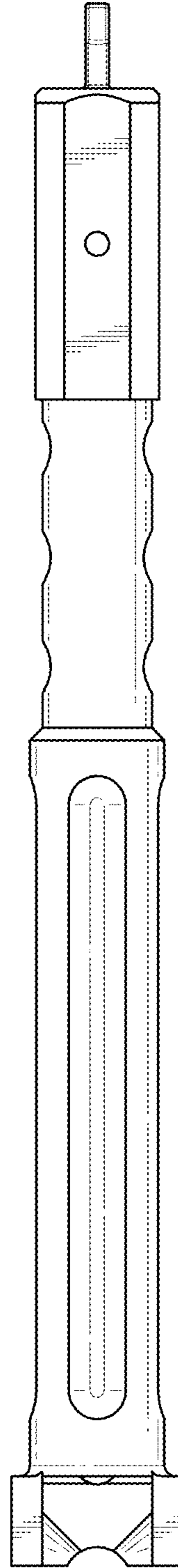


FIG. 7

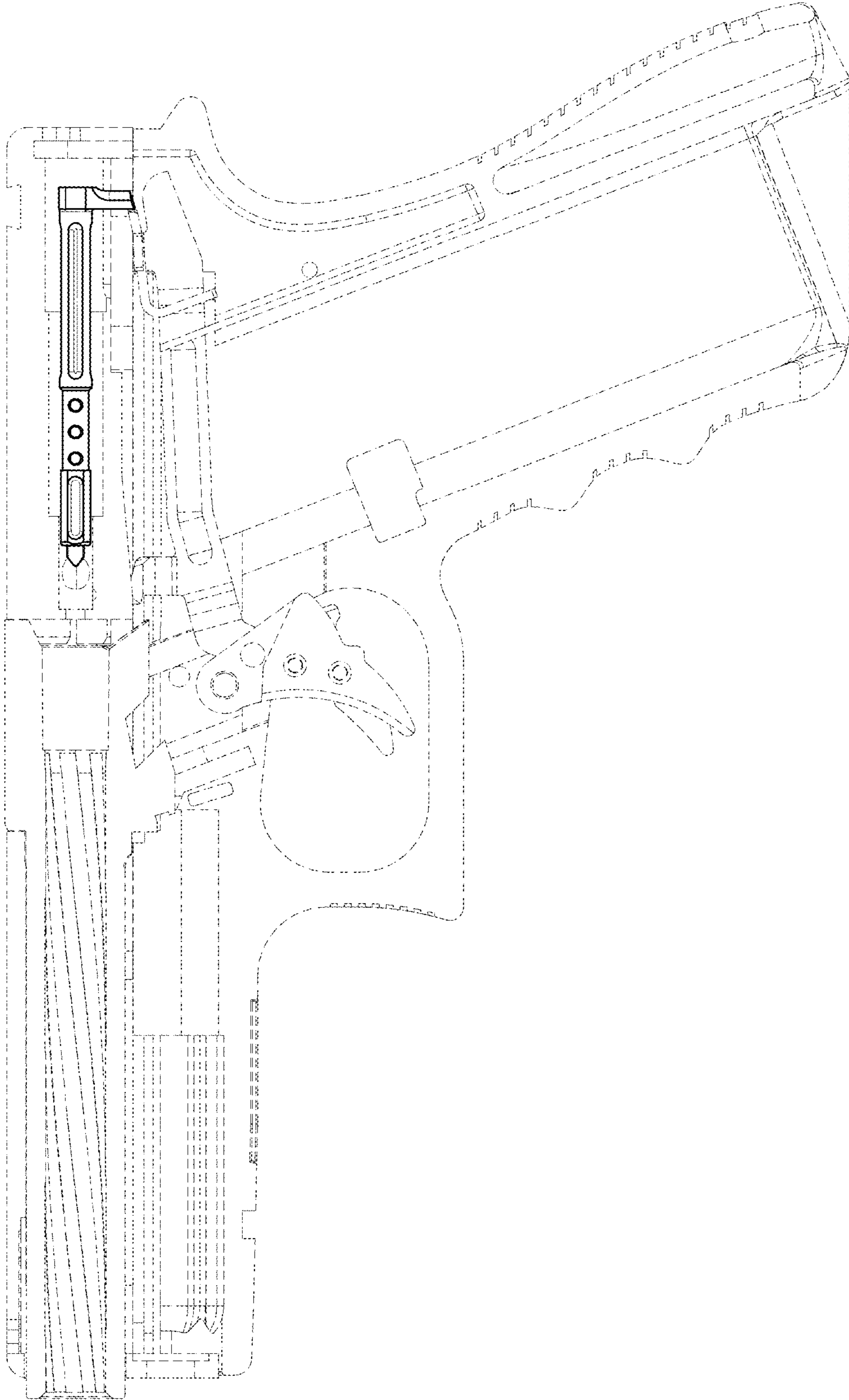


FIG. 8