



US00D771214S

(12) **United States Design Patent** (10) **Patent No.:** **US D771,214 S**
Parsons (45) **Date of Patent:** **** Nov. 8, 2016**

(54) **FIREARM SUPPORT**

(71) Applicant: **James H. Parsons**, Berthoud, CO (US)

(72) Inventor: **James H. Parsons**, Berthoud, CO (US)

(**) Term: **14 Years**

(21) Appl. No.: **29/517,956**

(22) Filed: **Feb. 18, 2015**

(51) **LOC (10) Cl.** **22-01**

(52) **U.S. Cl.**
USPC **D22/108**

(58) **Field of Classification Search**

USPC D6/368, 552; D22/108, 199
CPC B60R 7/14; B60R 5/04; B60R 11/00;
F41A 23/10; F41A 23/18; F41A 17/44;
F41A 23/16; F41A 29/00

See application file for complete search history.

(56) **References Cited**

U.S. PATENT DOCUMENTS

2,774,563 A * 12/1956 Pribis A47B 81/007
206/317
2,877,689 A * 3/1959 Pribis F41A 23/00
206/317

(Continued)

OTHER PUBLICATIONS

Parsons, James H., co-owned Design U.S. Appl. No. 29/504,787
titled "Handgun Rack" filed Oct. 9, 2014.

Primary Examiner — Michael A Pratt

(74) *Attorney, Agent, or Firm* — Trenner Law Firm, LLC;
Mark D. Trenner

(57) **CLAIM**

The ornamental design for a firearm support, as shown and
described.

DESCRIPTION

FIG. 1 is a perspective view of the firearm support in an
unassembled configuration;

FIG. 2 is a perspective view of a forward support of the
firearm support, wherein the rearward support of the firearm
support is the same as the forward support;

FIG. 3 is a front view of the forward support corresponding
to FIG. 2, wherein the back view is a mirror image of the
front view;

FIG. 4 is a left side view of the forward support correspond-
ing to FIG. 2, wherein the right side view is a mirror image
of the left side view;

FIG. 5 is a top view of the forward support corresponding to
FIG. 2;

FIG. 6 is a bottom side view of the forward support
corresponding to FIG. 2;

FIG. 7 is a perspective view of a front cross support of the
firearm support, wherein the back cross support of the
firearm support is the same as the front cross support;

FIG. 8 is a front view of the front cross support correspond-
ing to FIG. 7, wherein the back view is a mirror image of the
front view;

FIG. 9 is a right side view of the front cross support
corresponding to FIG. 7, wherein the left side view is a
mirror image of the left side view;

FIG. 10 is a top view of the front cross support correspond-
ing to FIG. 7;

FIG. 11 is a bottom side view of the front cross support
corresponding to FIG. 7;

FIG. 12 is a perspective view of the firearm support in an
assembled configuration, wherein a rifle or shotgun is shown
in dashed lines to illustrate example use of the firearm
support, wherein the rifle or shotgun does not form a part of
the design;

FIG. 13 is a perspective view of the firearm support in an
assembled configuration, wherein a handgun is shown in
dashed lines to illustrate another example use of the firearm
support, wherein the handgun does not form a part of the
design;

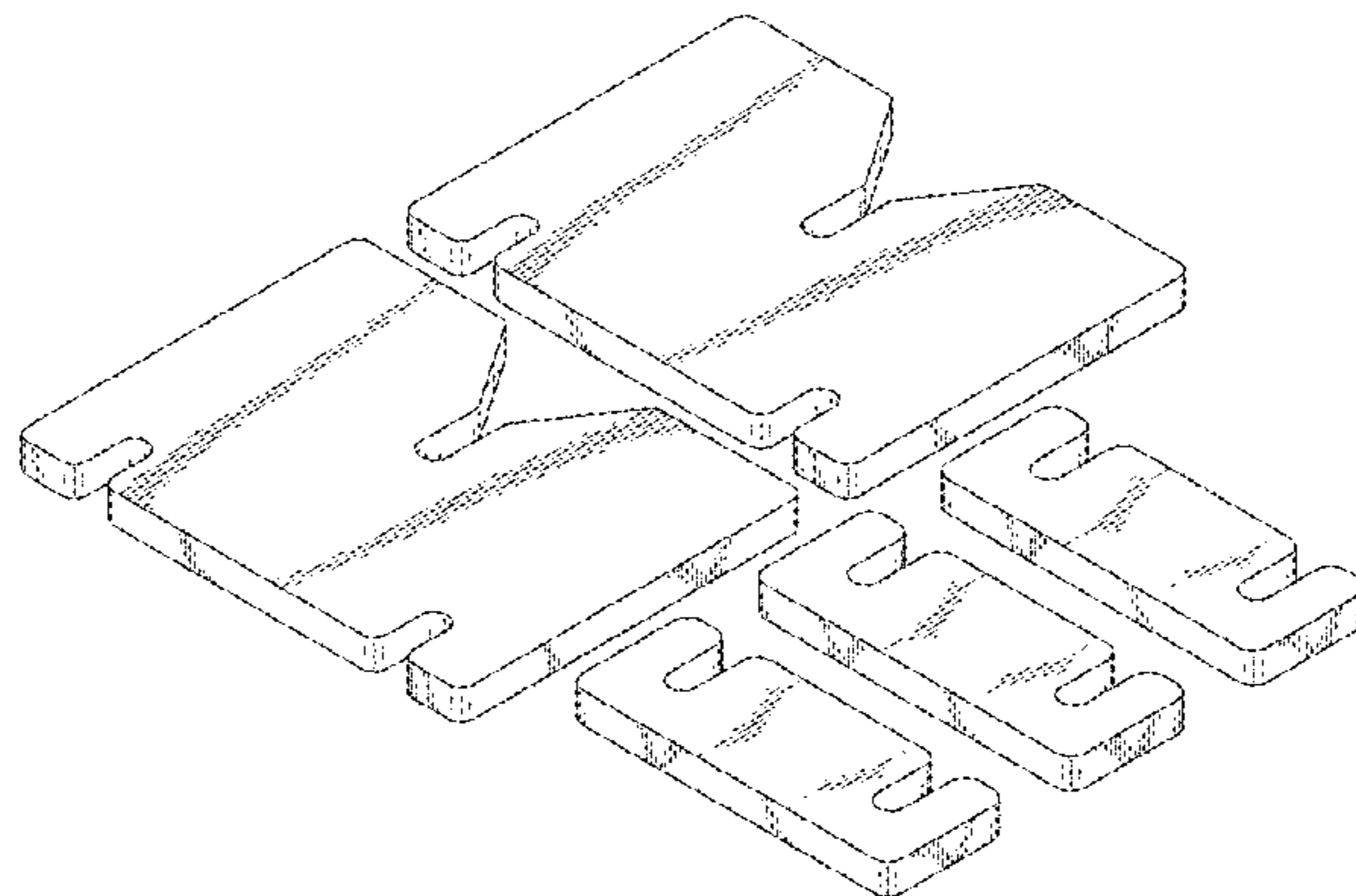
FIG. 14 is a front view of the firearm support corresponding
to FIGS. 12 and 13, wherein the back view is a mirror image
of the front view;

FIG. 15 is a left side view of the firearm support corre-
sponding to FIGS. 12 and 13, wherein the right side view is
a mirror image of the left side view;

FIG. 16 is a top view of the shelf corresponding to FIGS. 12
and 13; and,

FIG. 17 is a bottom view of the shelf corresponding to FIGS.
12 and 13.

1 Claim, 7 Drawing Sheets



US D771,214 S

Page 2

(56)

References Cited

U.S. PATENT DOCUMENTS

| | | | | | | | | | |
|---------------|---------|-----------|-------|------------|--------------|---------|---------|-------|---------|
| D252,001 S * | 6/1979 | Arnold | | D6/552 | D406,629 S * | 3/1999 | Banfill | | D22/100 |
| 4,449,314 A * | 5/1984 | Sorensen | | F41A 23/00 | 6,315,133 B1 | 11/2001 | Franke | | |
| | | | | 211/64 | D472,090 S | 3/2003 | Wing | | |
| 4,873,777 A * | 10/1989 | Southard | | F41A 23/18 | D557,541 S | 12/2007 | Corbell | | |
| | | | | 211/64 | D579,252 S | 10/2008 | Savoie | | |
| D313,886 S * | 1/1991 | Southard | | 211/163 | D609,516 S | 2/2010 | Vining | | |
| D324,951 S * | 3/1992 | Narramore | | D6/552 | D643,658 S | 8/2011 | Vining | | |
| | | | | | D719,375 S | 12/2014 | Cox | | |
| | | | | | D748,205 S * | 1/2016 | Selph | | D21/573 |

* cited by examiner

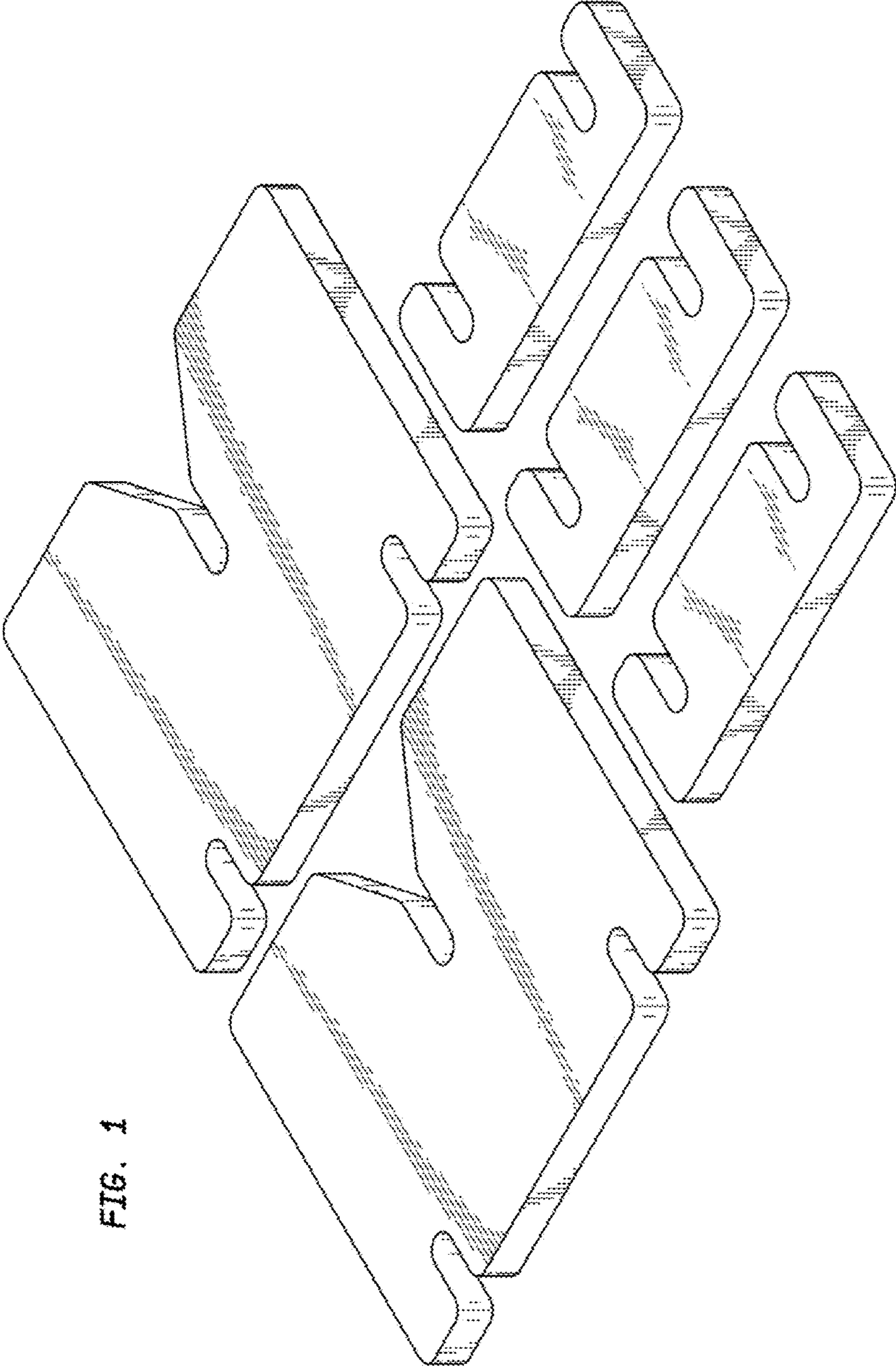


FIG. 1

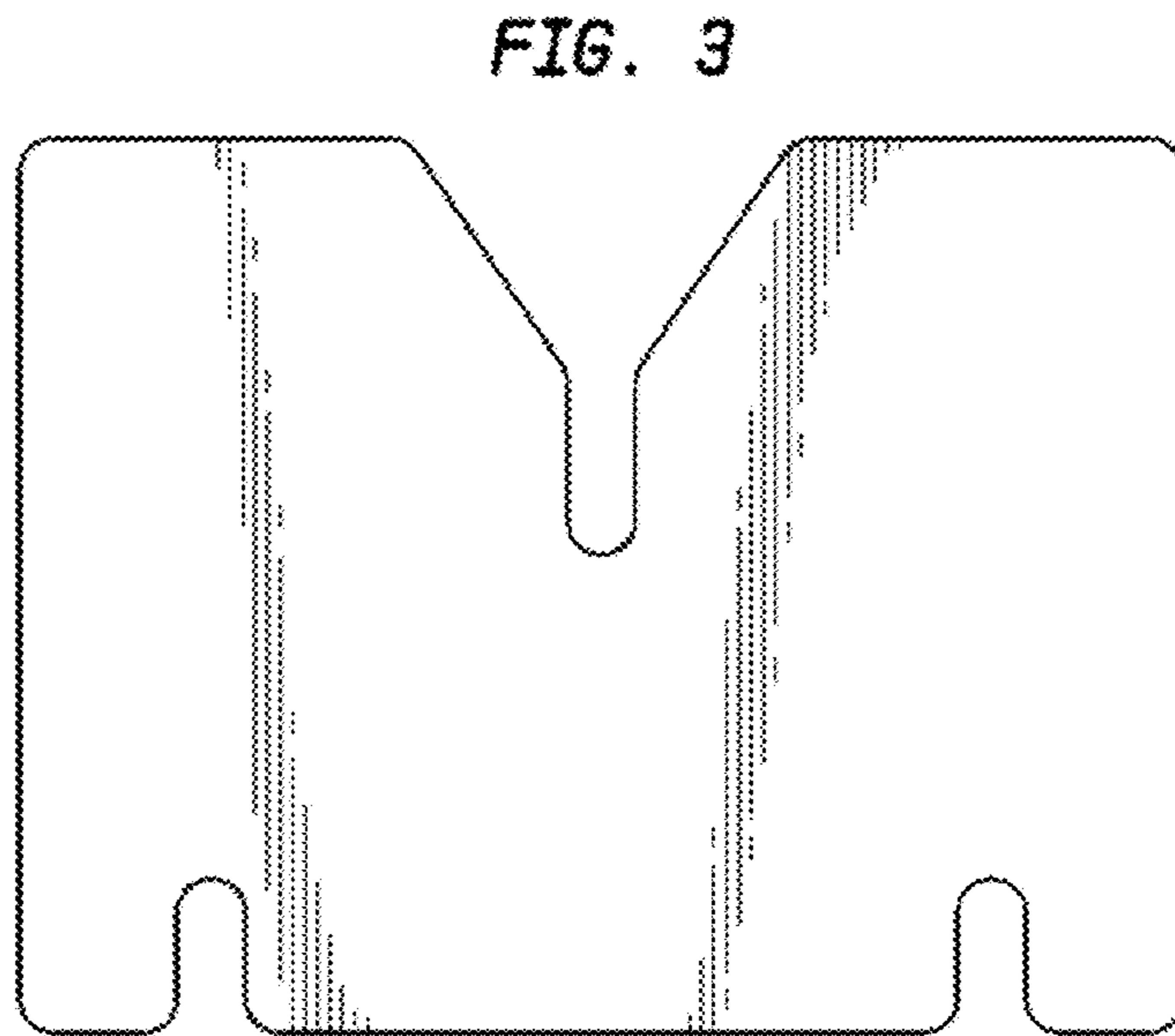
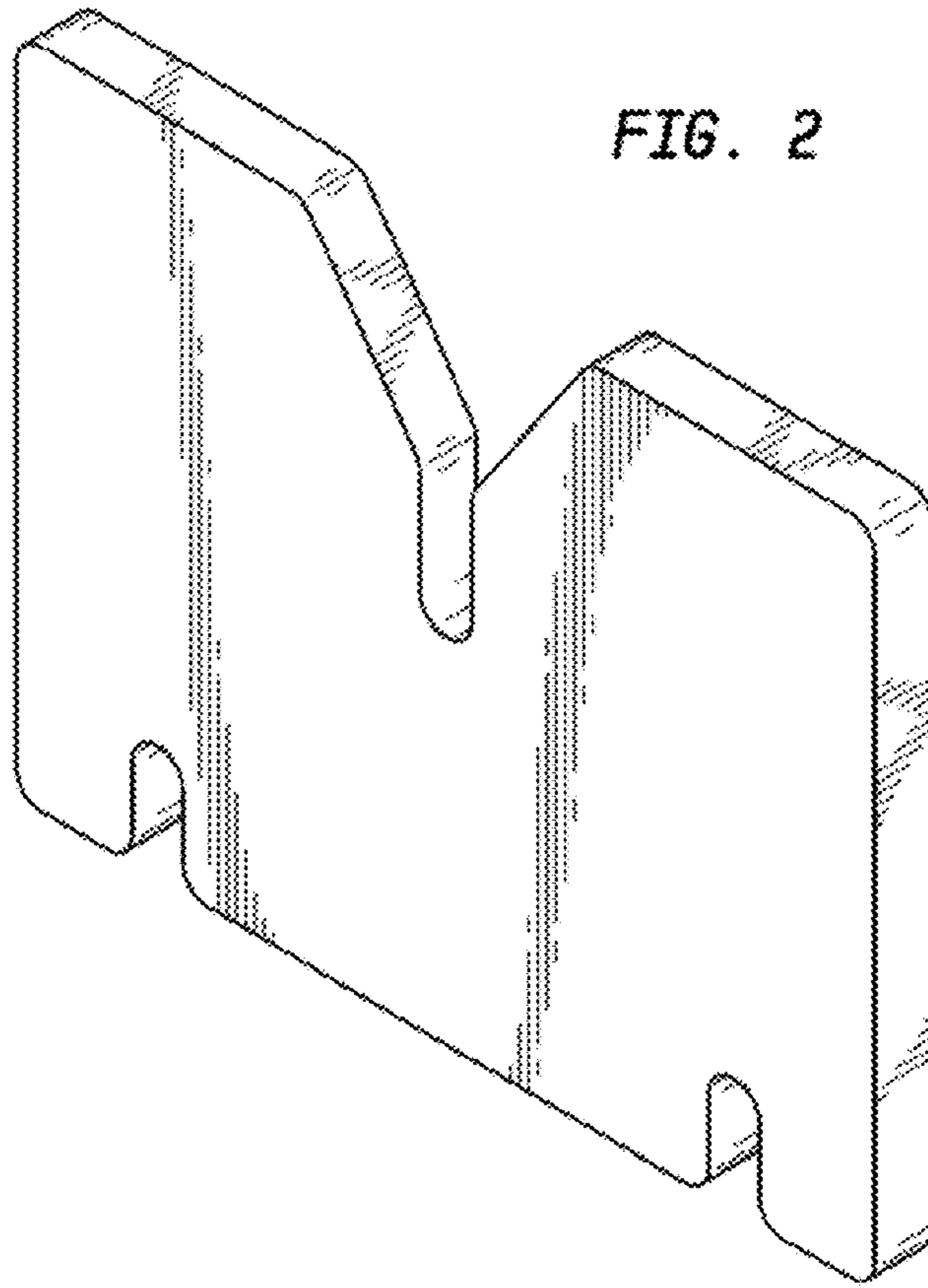


FIG. 4



FIG. 5



FIG. 6



FIG. 7

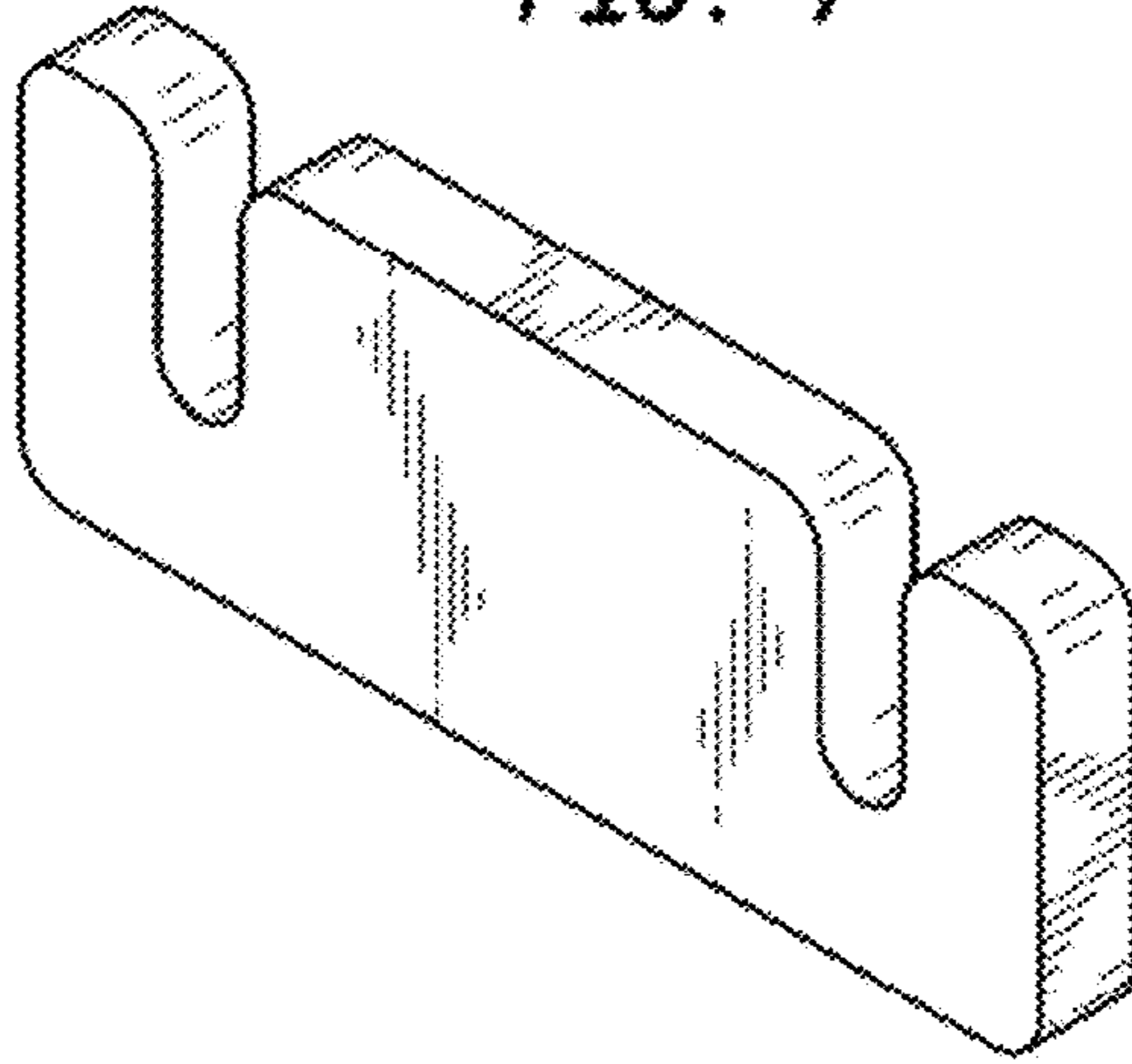


FIG. 10



FIG. 8

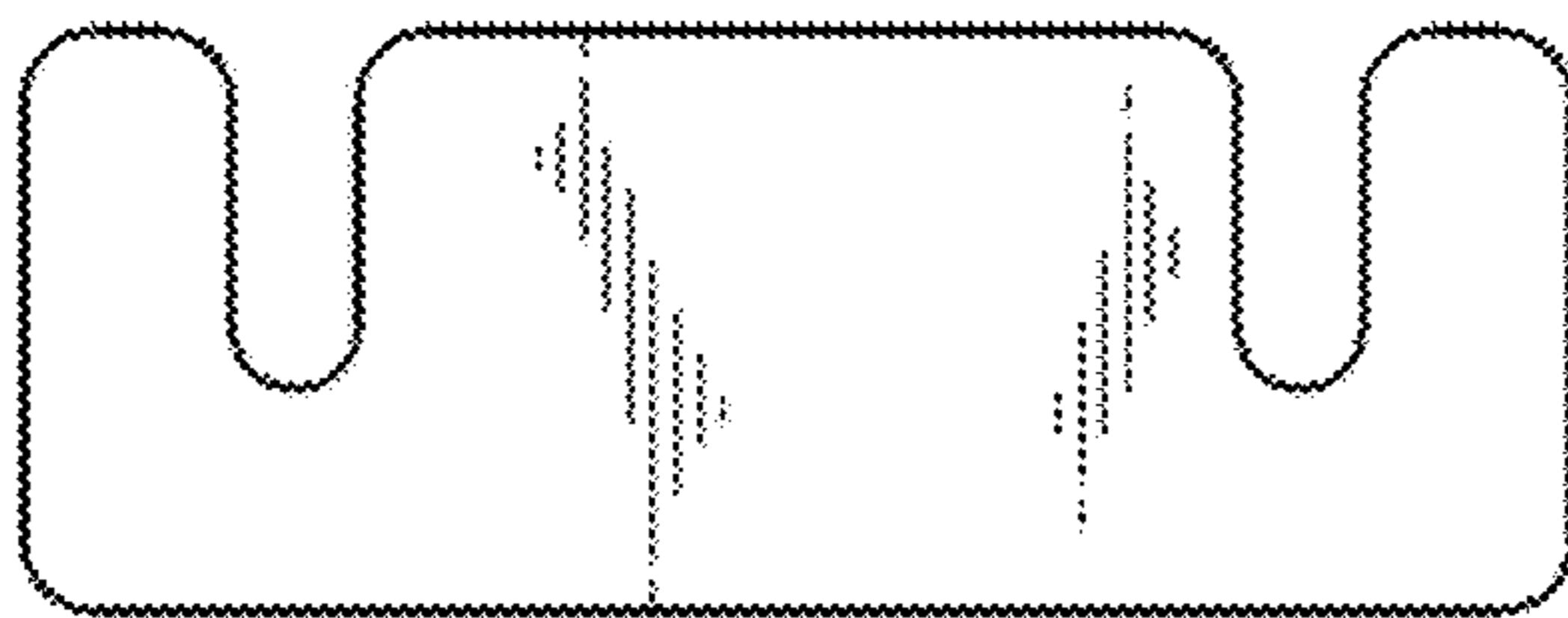


FIG. 9

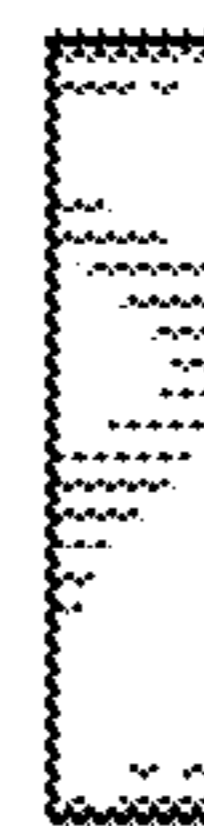


FIG. 11



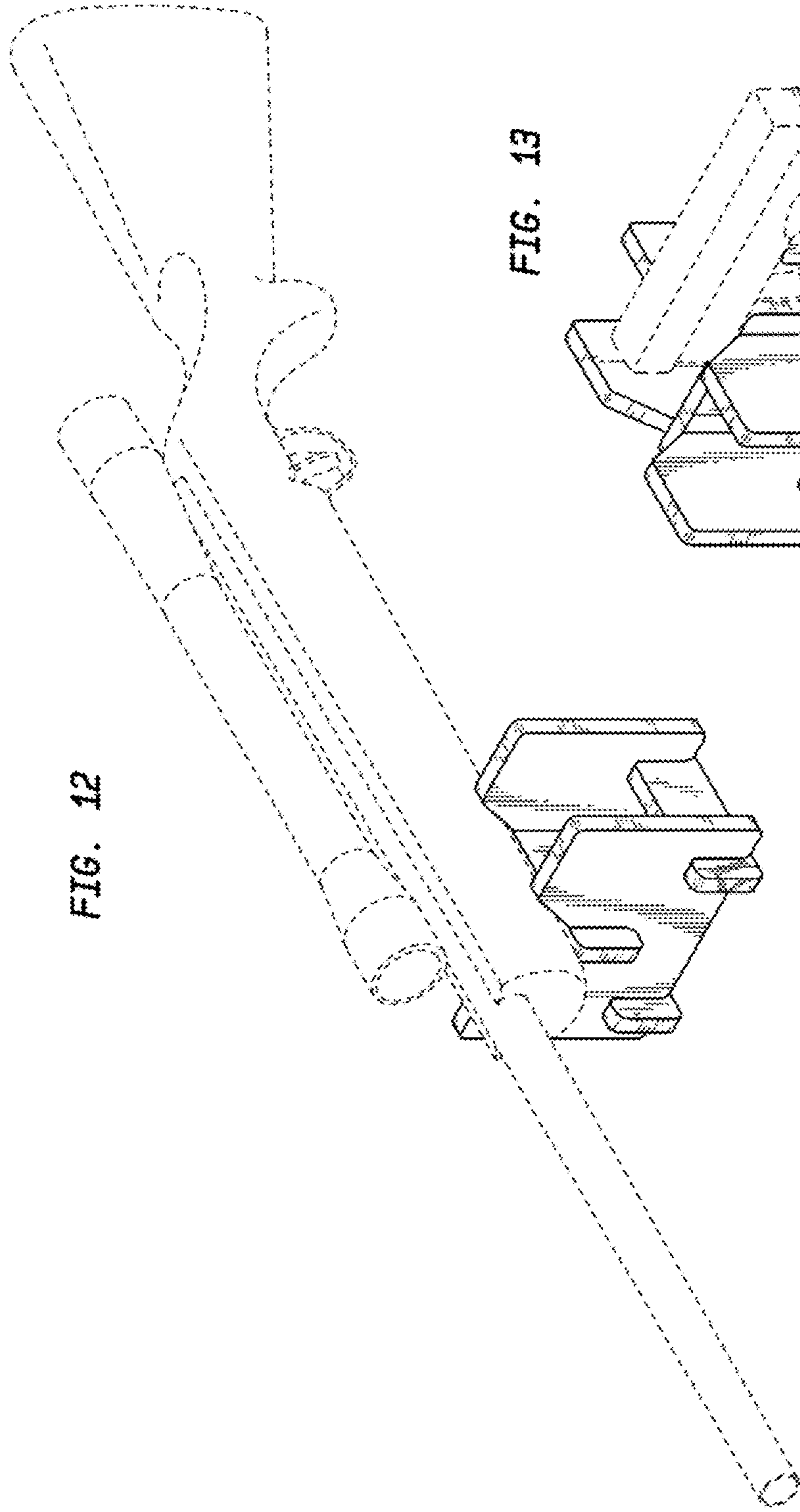


FIG. 13

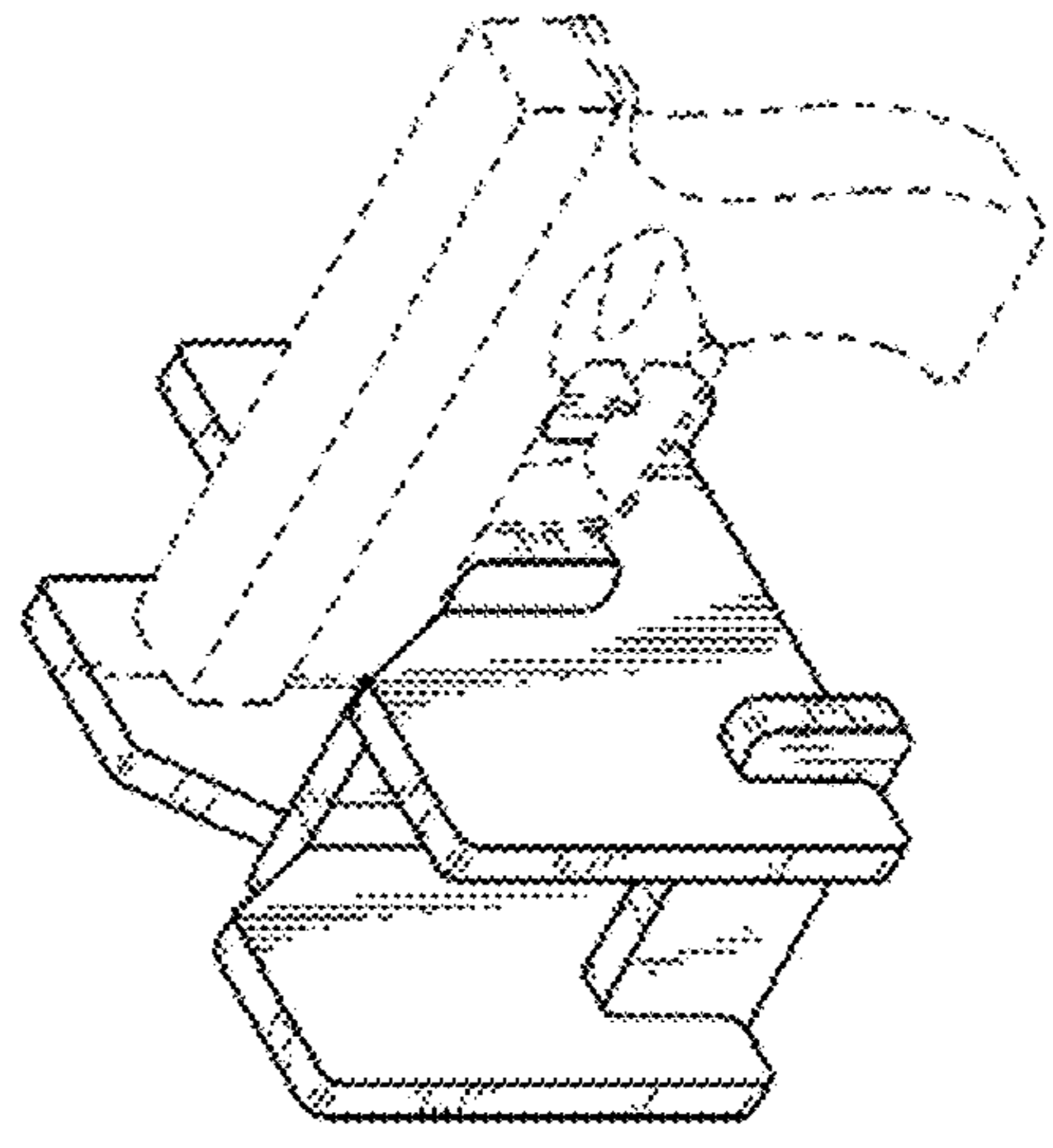


FIG. 14

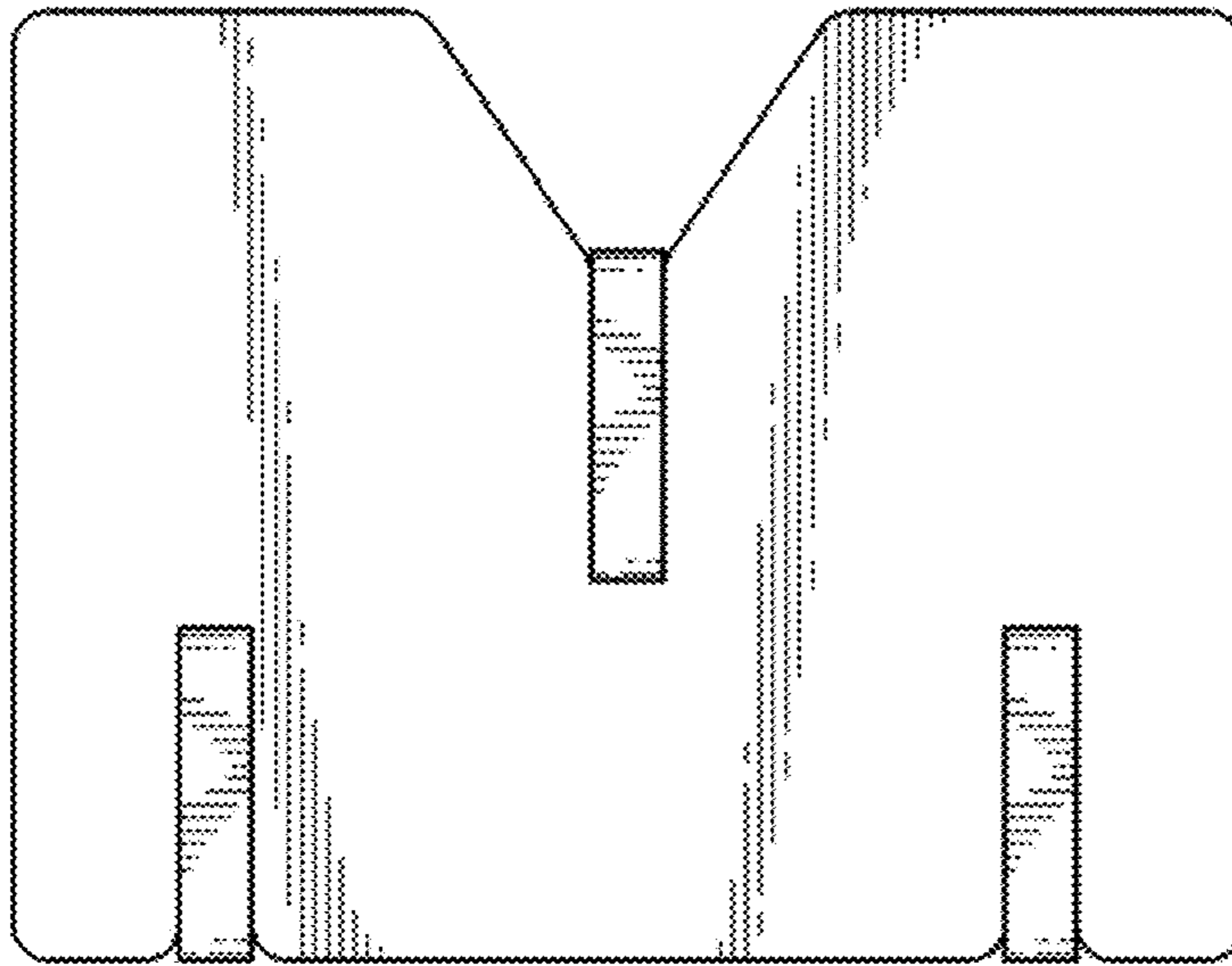


FIG. 15

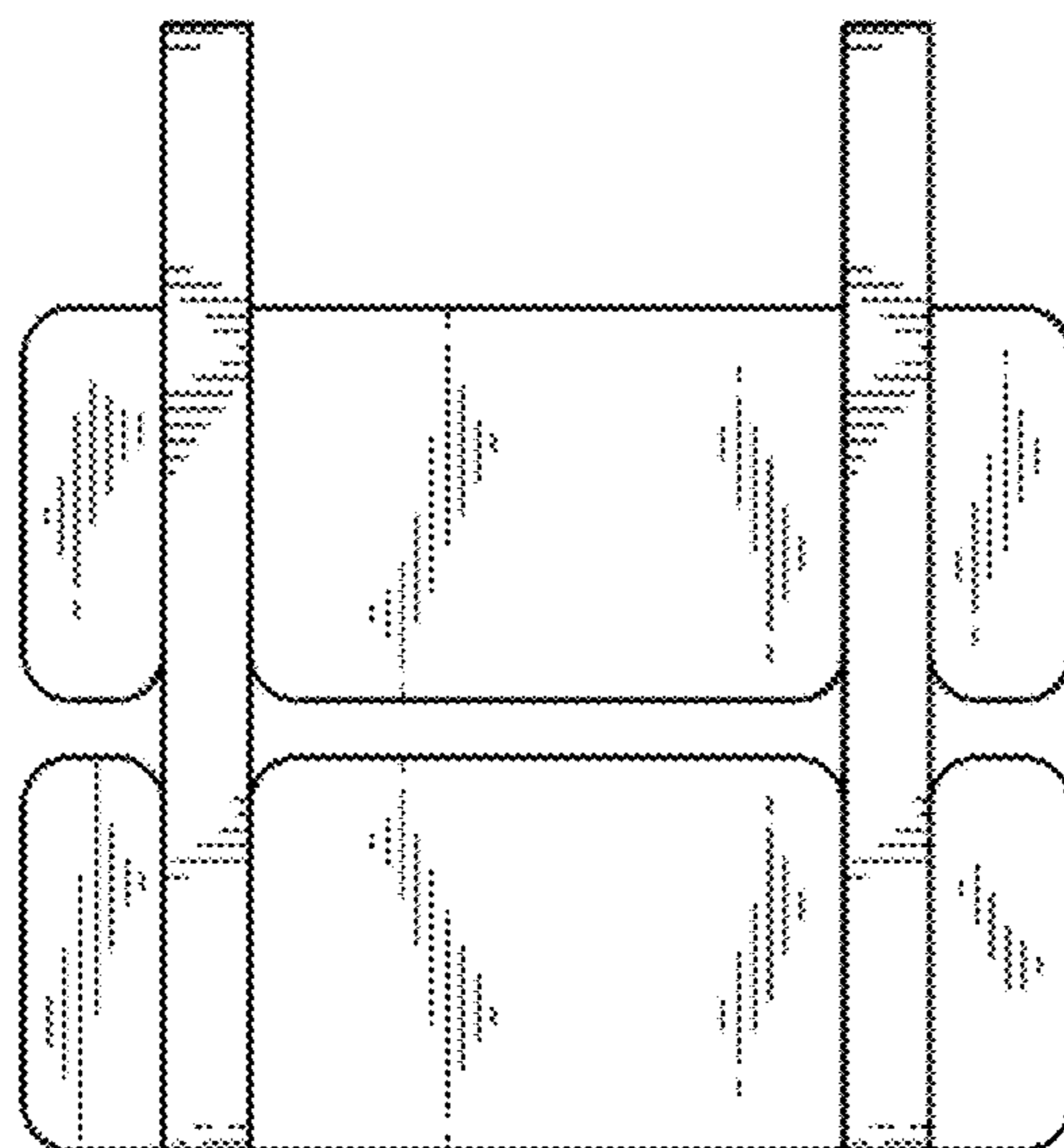


FIG. 16

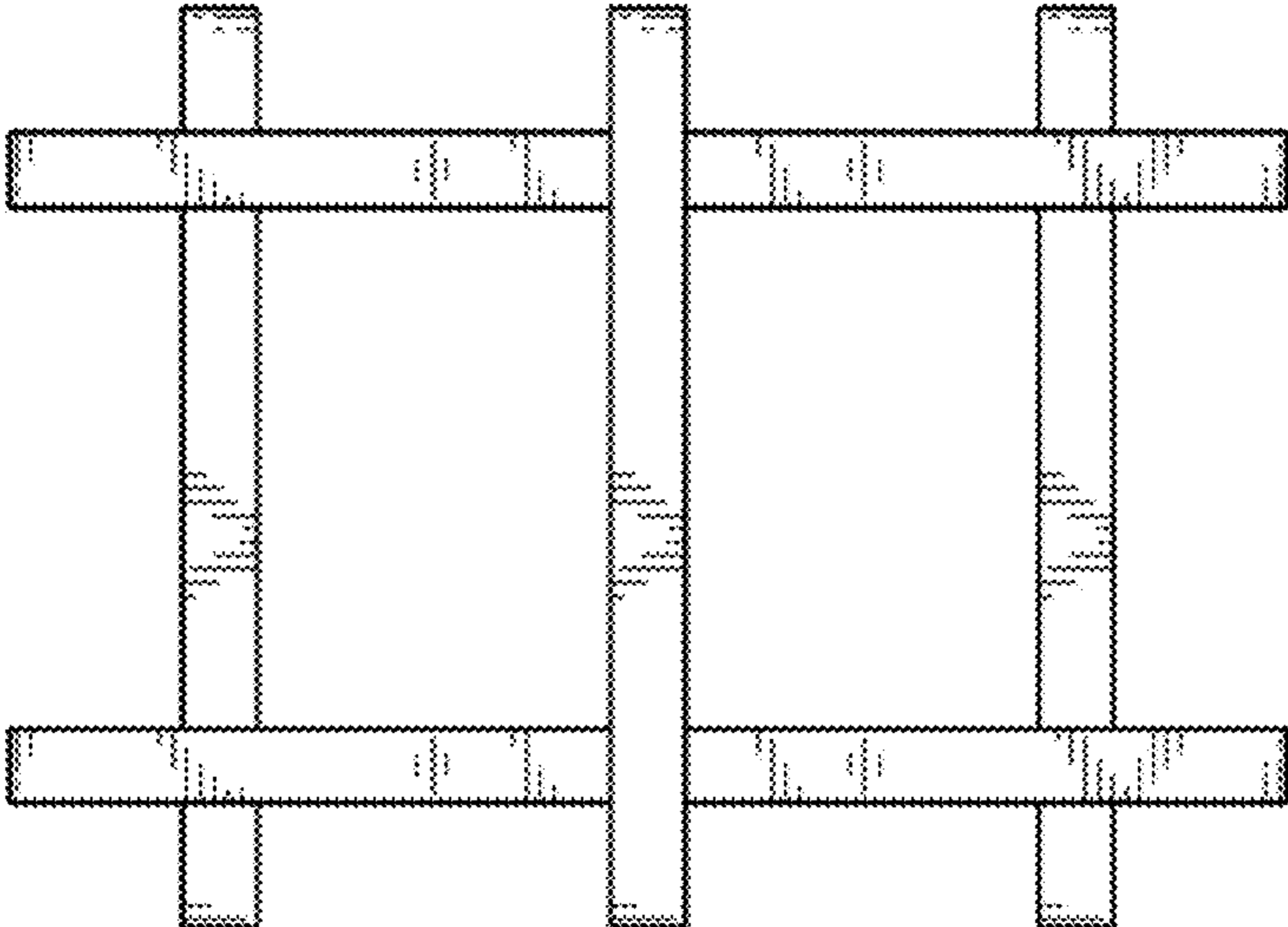


FIG. 17

