



US00D771213S

(12) **United States Design Patent**
Ozturk

(10) **Patent No.:** **US D771,213 S**

(45) **Date of Patent:** **** Nov. 8, 2016**

(54) **WATER SLIDE**
(71) Applicant: **Ali Sinan Ozturk**, Kocaeli (TR)
(72) Inventor: **Ali Sinan Ozturk**, Kocaeli (TR)
(73) Assignee: **POLIN SU PARKLARI VE HAVUZ**
SISTEMLERI ANONIM SIRKETI,
Dilovasi, Kocaeli (TR)
(**) Term: **15 Years**
(21) Appl. No.: **29/534,535**
(22) Filed: **Jul. 29, 2015**

(30) **Foreign Application Priority Data**
Apr. 1, 2015 (TR) 2015/02455
(51) **LOC (10) Cl.** **21-03**
(52) **U.S. Cl.**
USPC **D21/821**
(58) **Field of Classification Search**
USPC D21/811, 814, 818-822
CPC A63G 21/00-21/22; A63G 31/007
See application file for complete search history.

(56) **References Cited**
U.S. PATENT DOCUMENTS
D256,827 S * 9/1980 Allen, 3rd D21/819
D256,940 S * 9/1980 Allen, 3rd D21/819
D269,104 S * 5/1983 Brown D21/819
D269,105 S * 5/1983 Brown D21/819
D269,106 S * 5/1983 Brown D21/819
D271,122 S * 10/1983 Mariol D21/815
6,354,955 B1 * 3/2002 Stuart A63G 21/18
472/117
6,857,964 B2 * 2/2005 Hunter A63G 21/18
472/116
D521,098 S * 5/2006 Hunter D21/819
D548,810 S * 8/2007 Hunter D21/821
D567,322 S * 4/2008 Hunter D21/821
D583,895 S * 12/2008 Hlynka D21/821

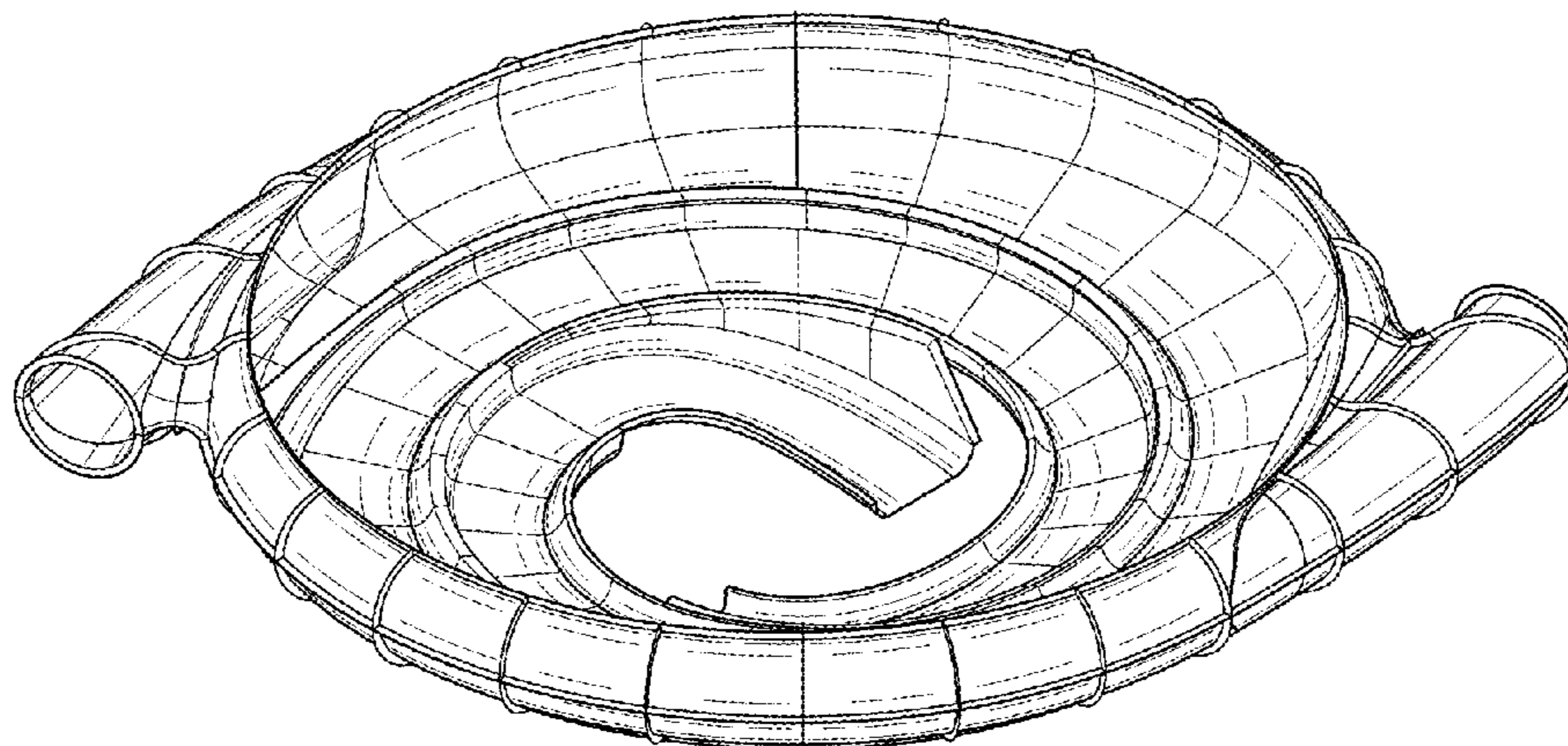
7,713,134 B2 * 5/2010 Hunter A63G 21/02
472/117
7,775,850 B2 * 8/2010 Todokoro A63H 23/10
446/156
7,780,537 B2 * 8/2010 Hlynka A63G 21/18
472/117
D629,861 S * 12/2010 Cuttell D21/821
7,887,426 B2 * 2/2011 Hlynka A63G 21/18
472/117
D650,463 S * 12/2011 Degirmenci D21/819
8,192,291 B2 * 6/2012 Brassard A63G 21/10
472/117
8,197,353 B2 * 6/2012 Brassard A63G 21/18
472/117
8,360,894 B2 * 1/2013 Hlynka A63G 21/18
472/117
8,430,760 B2 * 4/2013 Brassard A63G 21/18
472/117
8,579,715 B2 * 11/2013 Olive A63G 21/18
472/116
D697,159 S * 1/2014 Altindag D21/819
D705,381 S * 5/2014 Brassard D21/821
D705,883 S * 5/2014 Brassard D21/821

* cited by examiner
Primary Examiner — Mitchell Siegel
(74) *Attorney, Agent, or Firm* — Egbert Law Offices,
PLLC

(57) **CLAIM**
The ornamental design for a water slide, as shown and
described.

DESCRIPTION
FIG. 1 is a first upper perspective view of a water slide
showing my new design.
FIG. 2 is a second upper perspective view thereof;
FIG. 3 is a top view thereof;
FIG. 4 is a front view thereof, a rear view being identical;
and,
FIG. 5 is a side view thereof, an opposite side view being
identical.

1 Claim, 3 Drawing Sheets



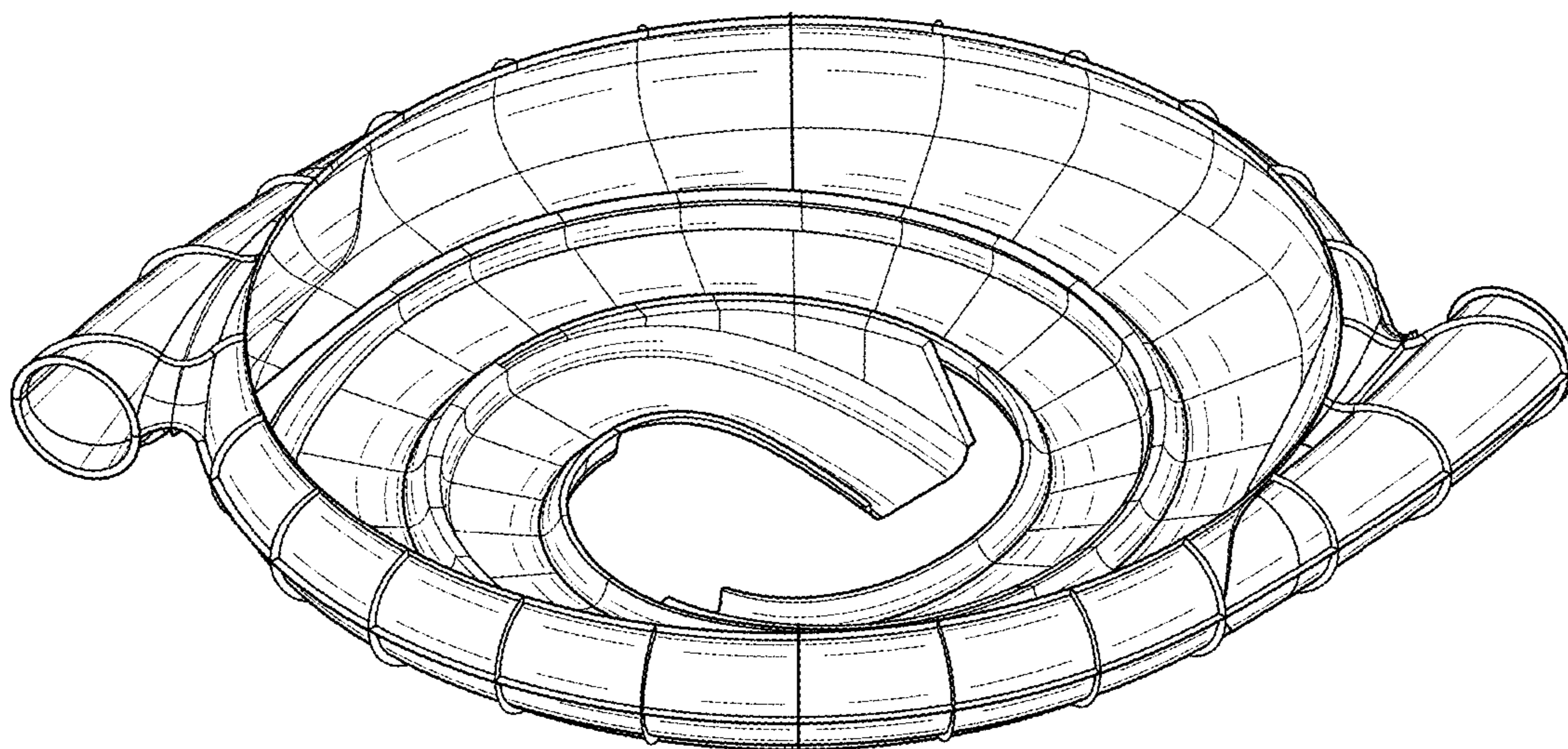


FIG. 1

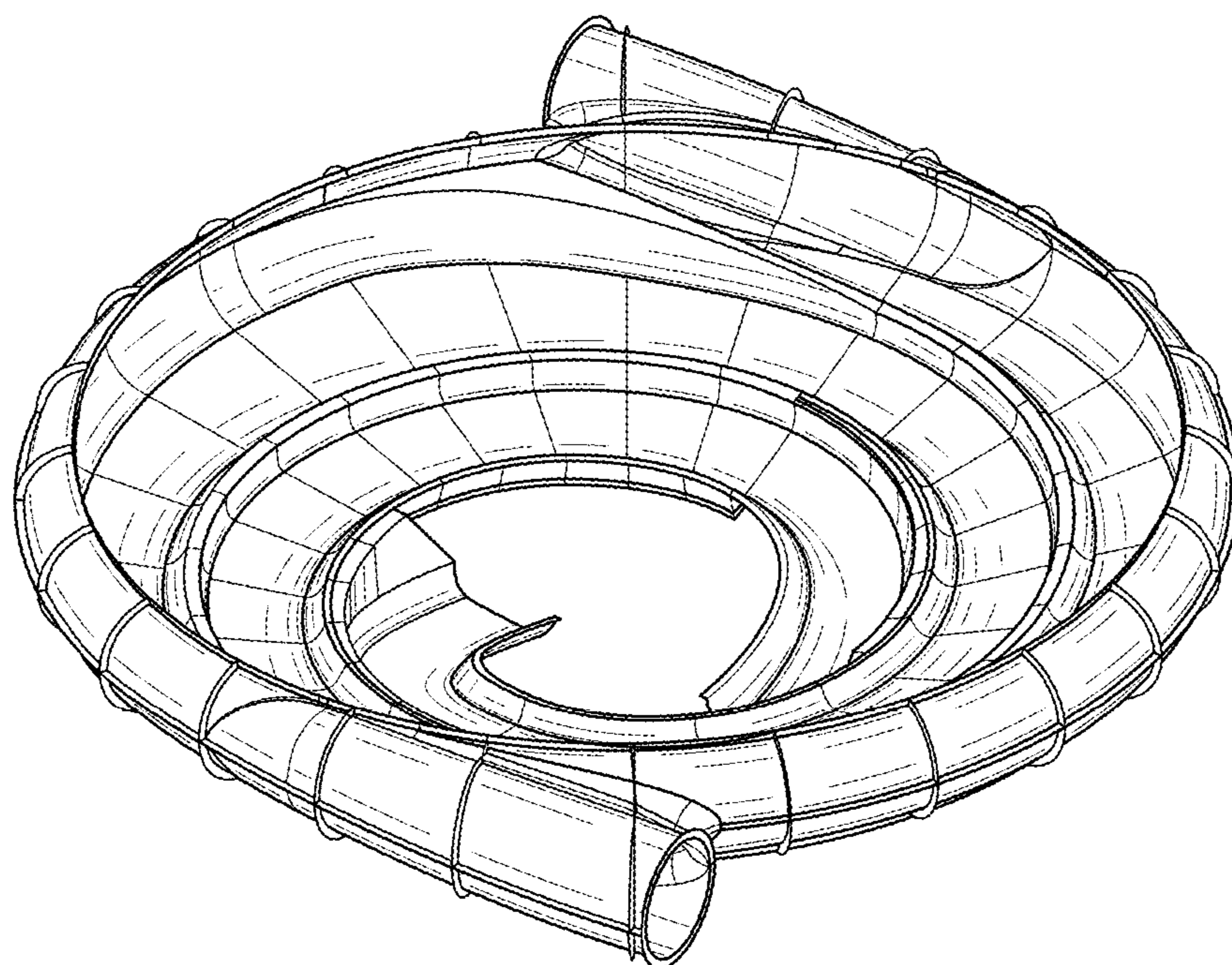


FIG. 2

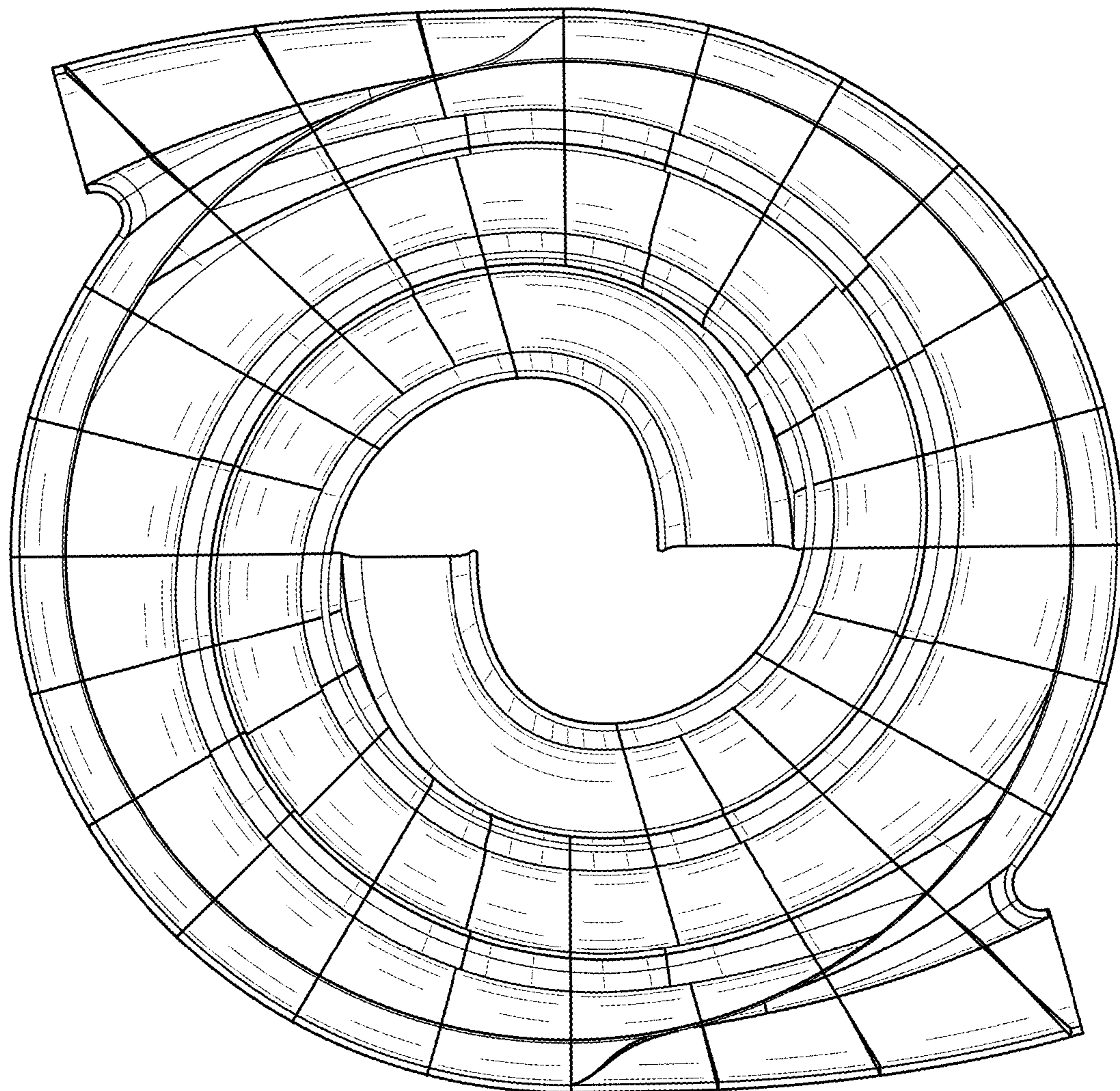


FIG. 3

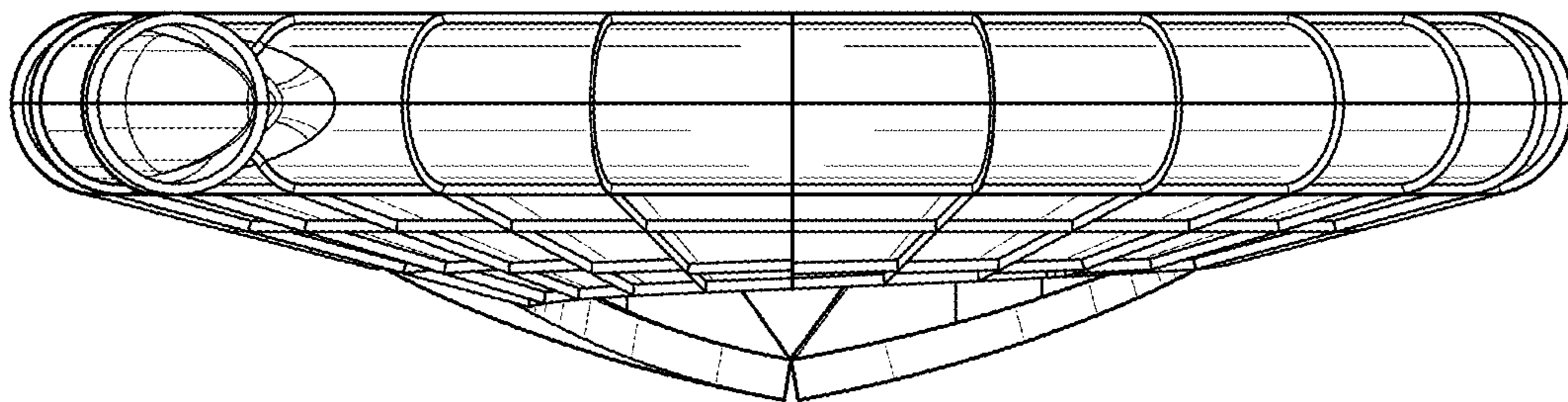


FIG. 4

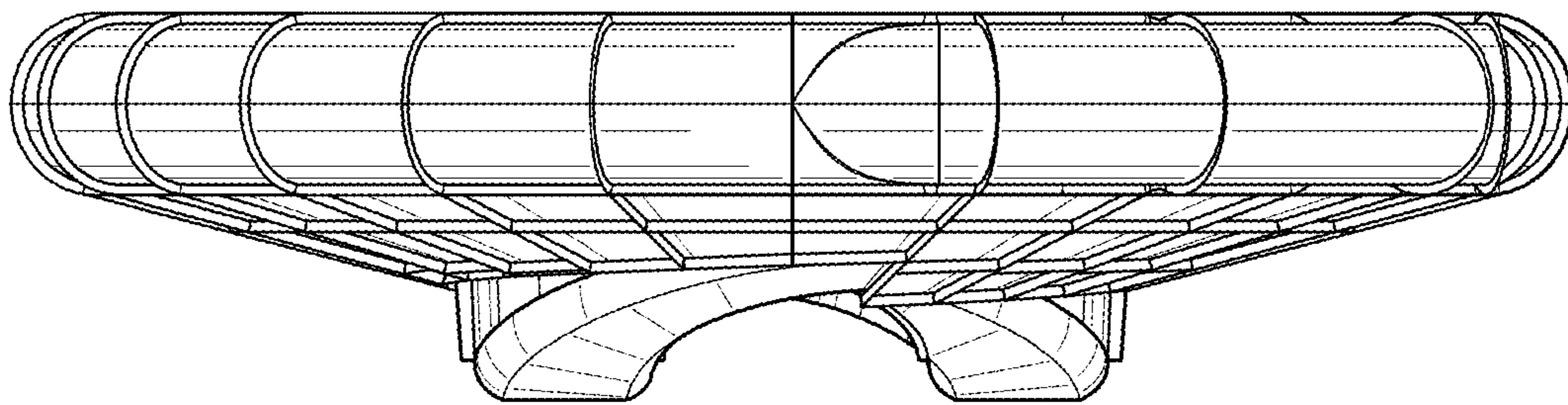


FIG. 5