



US00D771211S

(12) **United States Design Patent** (10) **Patent No.:** **US D771,211 S**
Low (45) **Date of Patent:** **** Nov. 8, 2016**

(54) **GOLF PUTTER HEAD COVER**
(71) Applicant: **Jeffrey M. Low**, Phoenix, AZ (US)
(72) Inventor: **Jeffrey M. Low**, Phoenix, AZ (US)
(73) Assignee: **Orange Sports Concepts, LLC**, Phoenix, AZ (US)
(**) Term: **15 Years**
(21) Appl. No.: **29/531,643**
(22) Filed: **Jun. 29, 2015**
(51) **LOC (10) Cl.** **21-02**
(52) **U.S. Cl.**
USPC **D21/754**
(58) **Field of Classification Search**
USPC D21/754
CPC A63B 60/62
See application file for complete search history.

D617,405 S * 6/2010 McGuire D21/754
D631,115 S * 1/2011 Chen D21/754
D634,382 S * 3/2011 Chen D21/754
D635,209 S * 3/2011 Chen D21/754
7,909,747 B1 3/2011 LaCaze
D647,154 S 10/2011 Low
D656,571 S 3/2012 Low
8,371,347 B2 * 2/2013 Cameron A63B 60/62
150/154
D692,975 S * 11/2013 Cameron D21/754
8,844,588 B2 9/2014 Low et al.
8,905,094 B2 * 12/2014 Gaffney A63B 55/007
150/154
2003/0136485 A1 * 7/2003 Bradshaw A63B 60/62
150/160
2007/0027009 A1 2/2007 Arnold
2007/0068611 A1 * 3/2007 Hwang A63B 60/62
150/160
2009/0205760 A1 * 8/2009 Bettinardi A63B 60/62
150/160

* cited by examiner

Primary Examiner — Mitchell Siegel
(74) *Attorney, Agent, or Firm* — Matthew J. Lattig;
Charter IP, LLC

(56) **References Cited**
U.S. PATENT DOCUMENTS

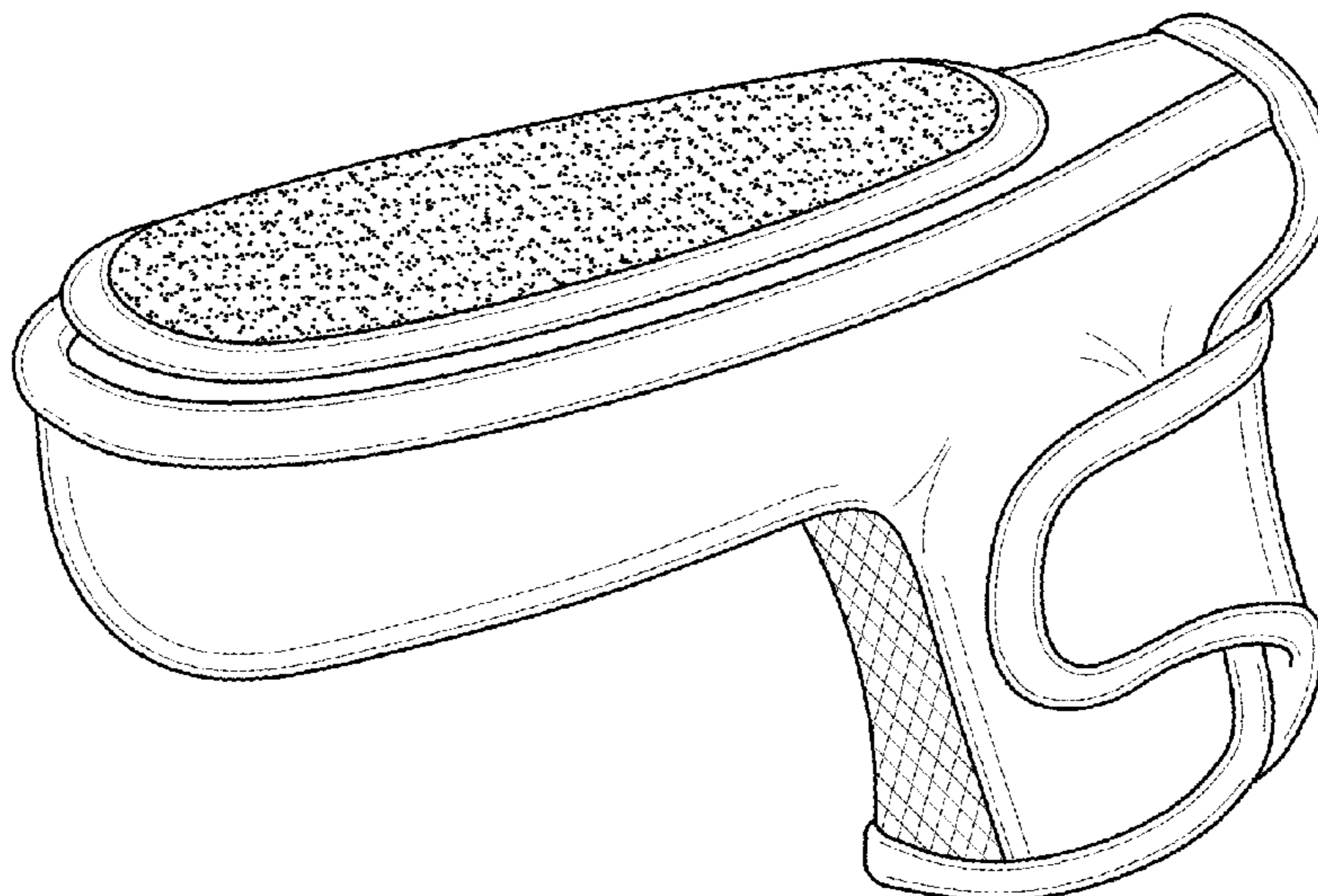
4,898,222 A * 2/1990 Gaffney A63B 60/62
150/160
D330,927 S * 11/1992 Diener D21/754
5,518,476 A 5/1996 McLeon
6,176,817 B1 1/2001 Carey et al.
D444,525 S * 7/2001 Bernath D21/754
D446,270 S * 8/2001 Bernath D21/754
D469,835 S * 2/2003 Bradshaw D21/754
D535,344 S * 1/2007 Chen D21/754
D565,682 S * 4/2008 Chen D21/754
D571,423 S * 6/2008 Cameron D21/754
D571,424 S * 6/2008 Cameron D21/754
D590,464 S * 4/2009 Chen D21/754
D592,722 S * 5/2009 Cameron D21/754
D598,511 S * 8/2009 Bettinardi D21/754
7,621,861 B1 11/2009 Kalember et al.

(57) **CLAIM**
The ornamental design for a golf putter head cover, as shown and described.

DESCRIPTION

FIG. 1 is a perspective view of a golf putter head cover showing my new design.
FIG. 2 is a left side elevational view thereof.
FIG. 3 is a right side elevational view thereof.
FIG. 4 is a top plan view thereof.
FIG. 5 is a bottom plan view thereof.
FIG. 6 is a front elevational view thereof; and,
FIG. 7 is a rear elevational view thereof.

1 Claim, 3 Drawing Sheets



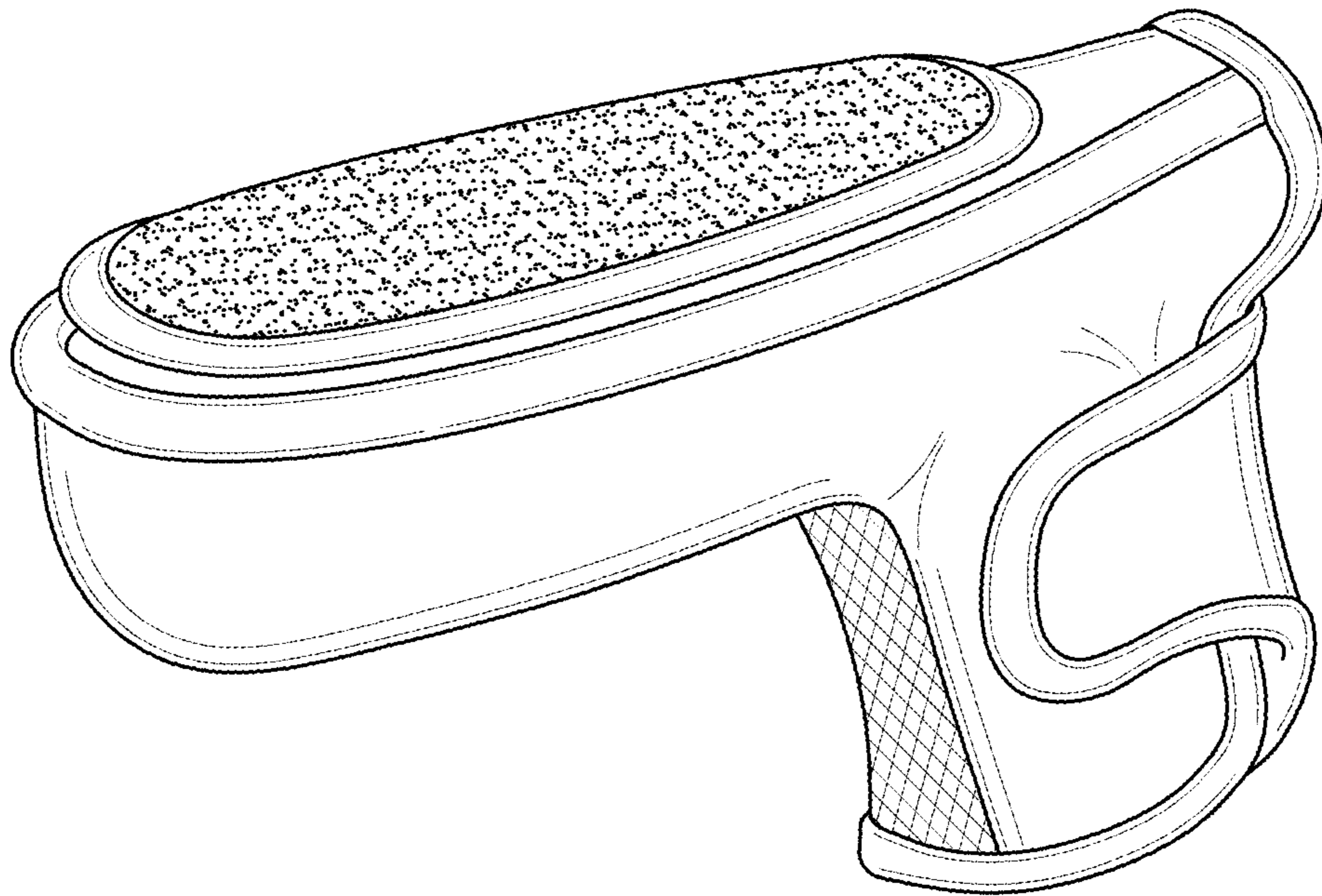


FIG. 1

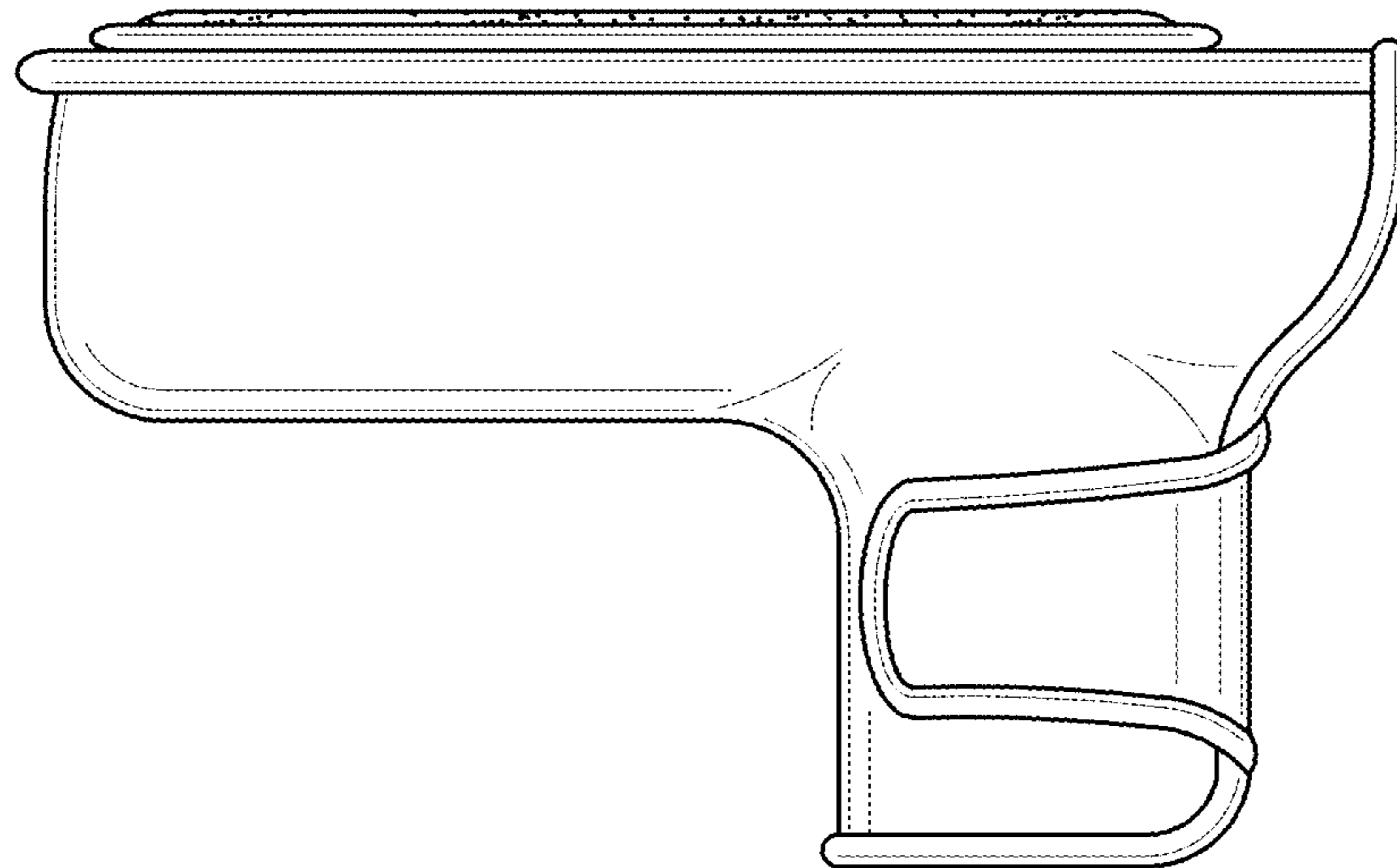


FIG. 2

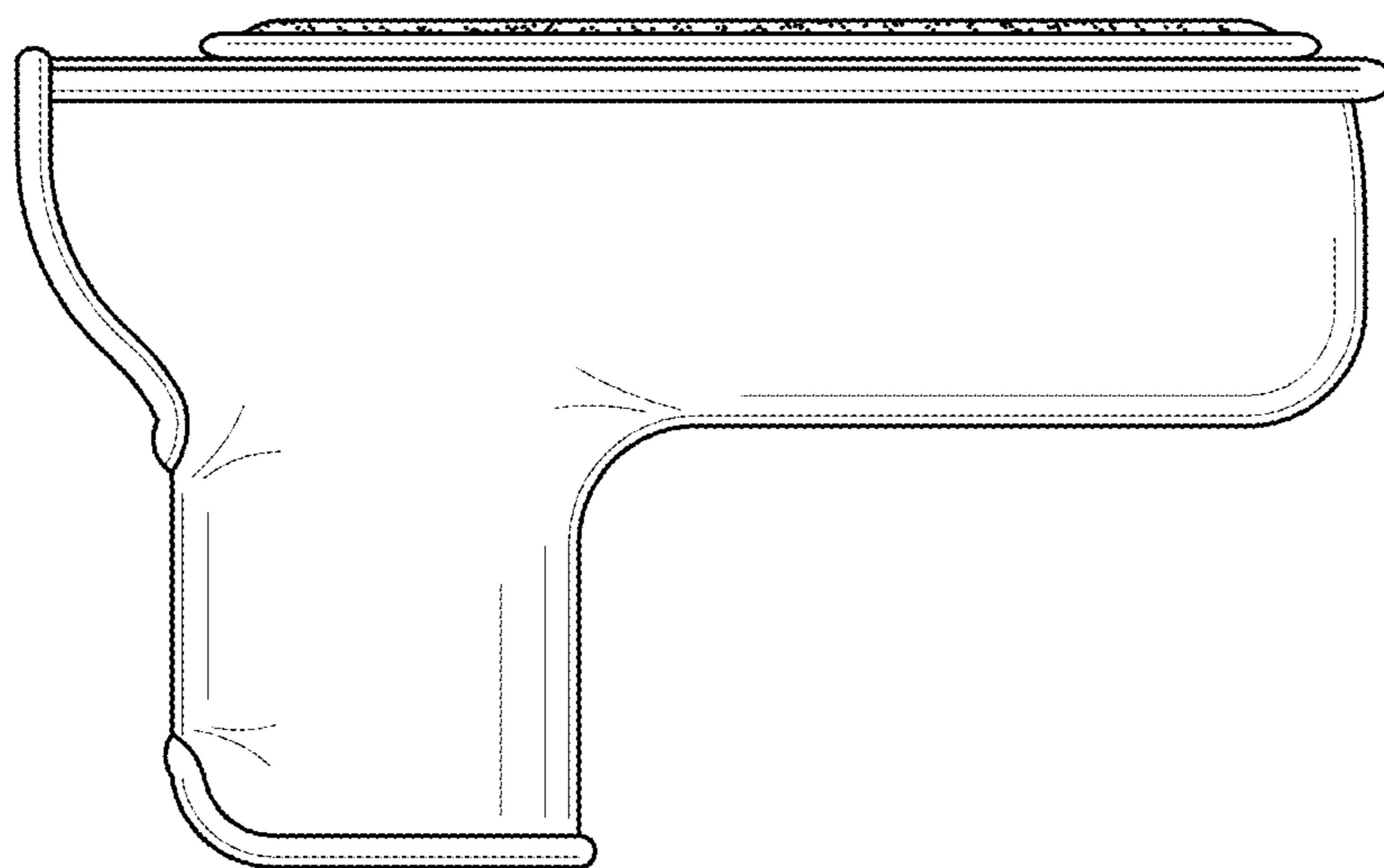


FIG. 3

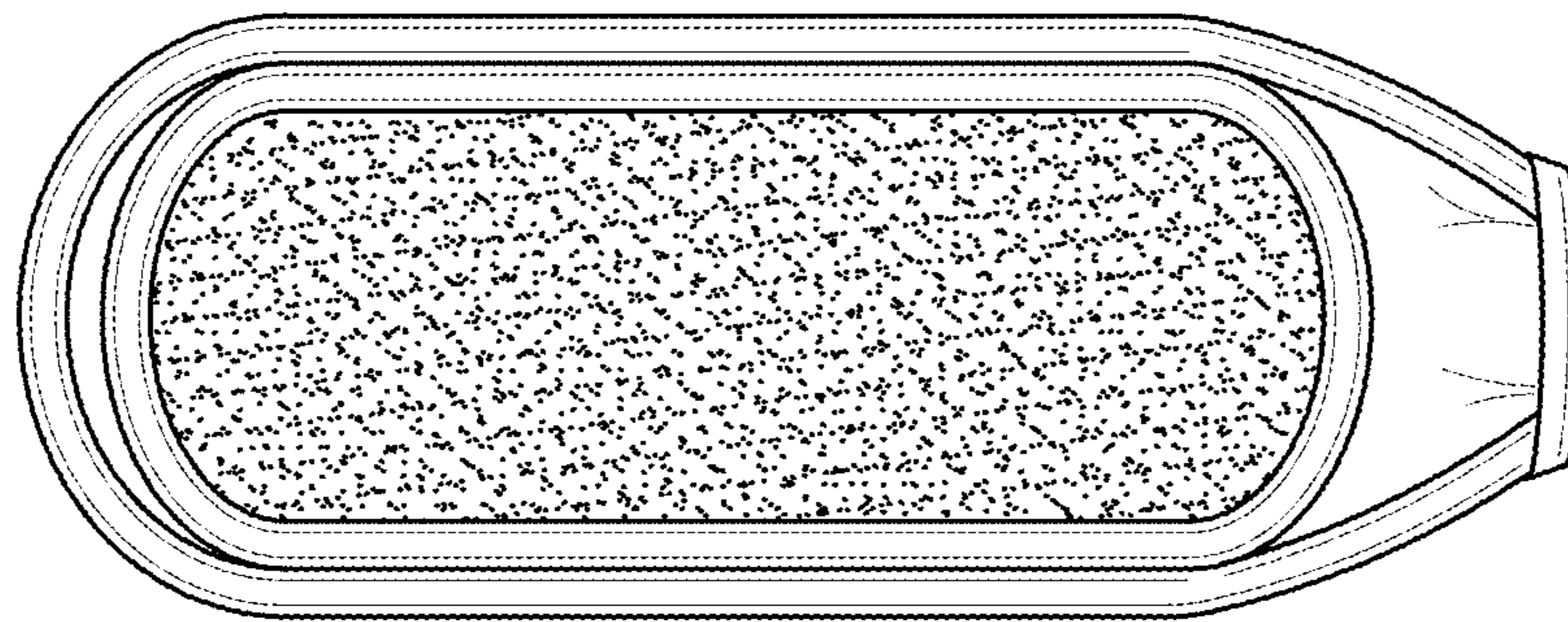


FIG. 4

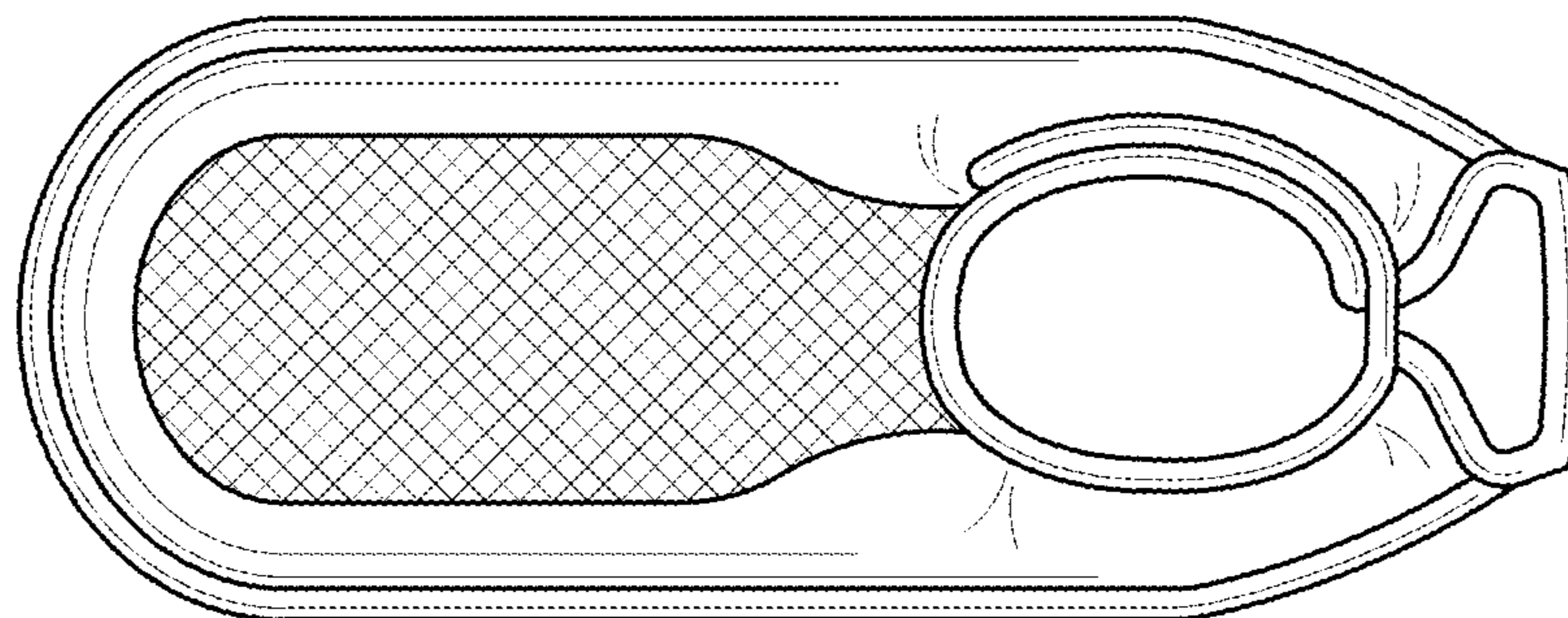


FIG. 5

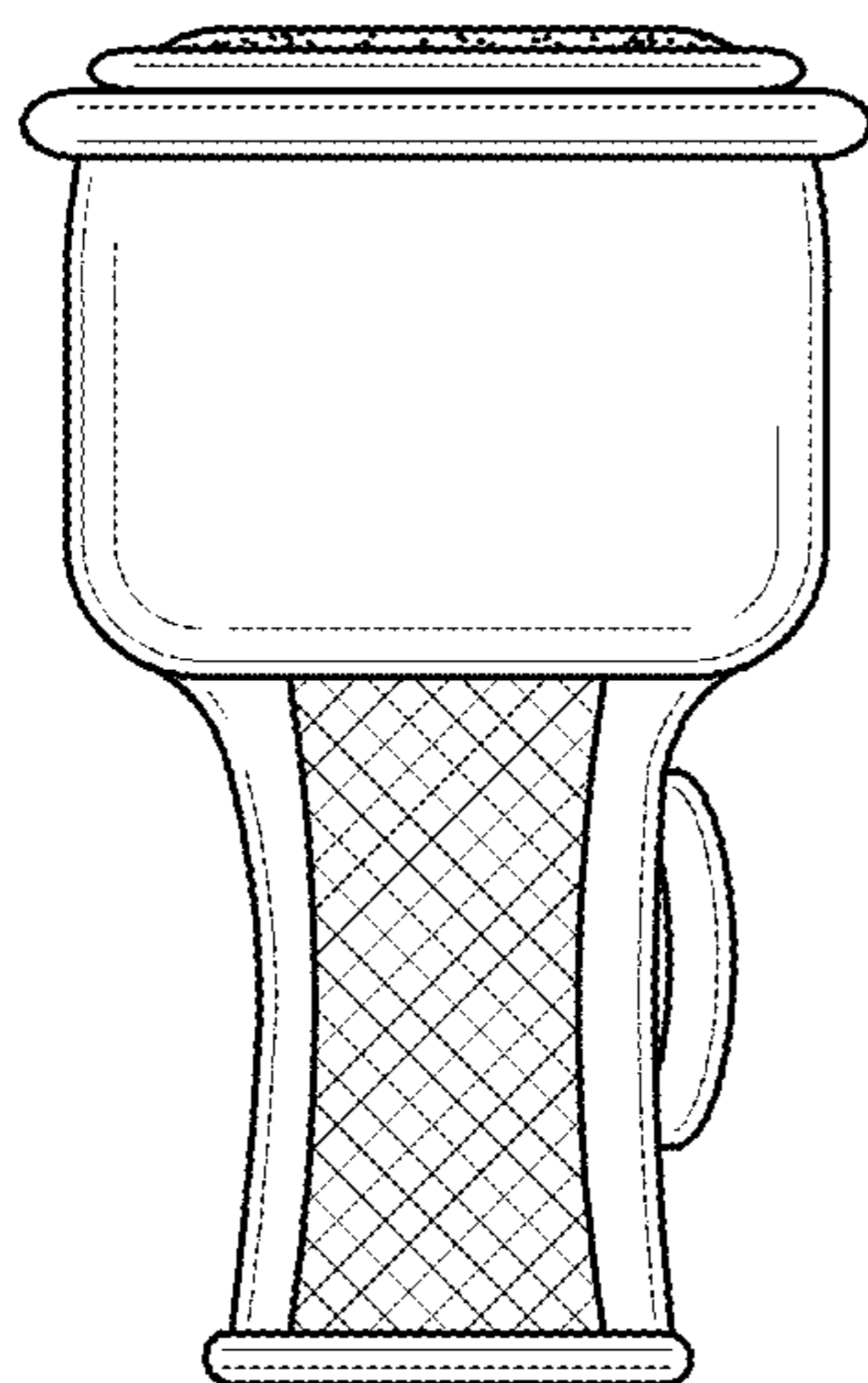


FIG. 6

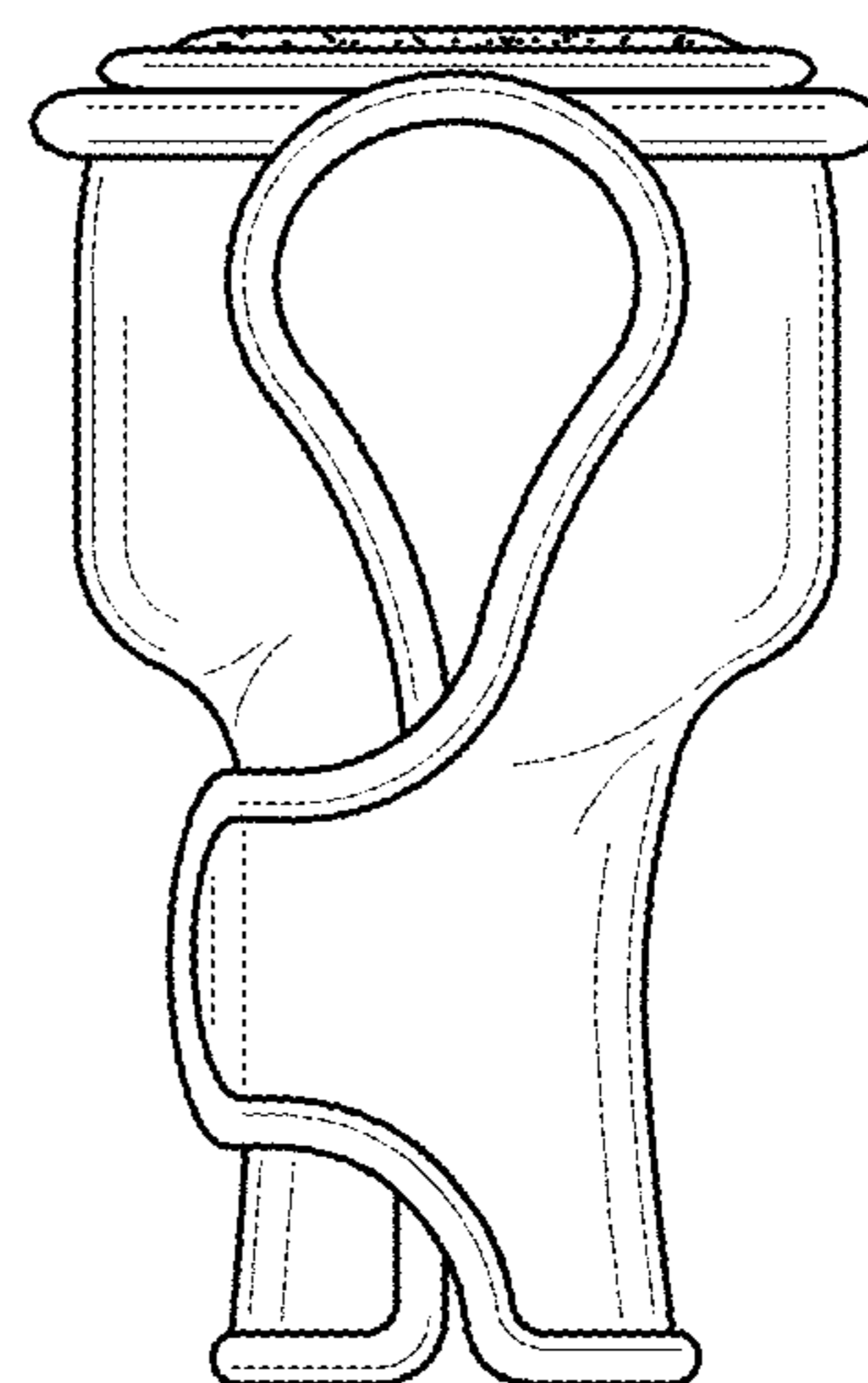


FIG. 7