



US00D771209S

(12) **United States Design Patent**
Chen et al.

(10) **Patent No.:** **US D771,209 S**
(45) **Date of Patent:** **** Nov. 8, 2016**

(54) **GOLF CLUB HEAD**

Primary Examiner — Mitchell Siegel

(71) Applicant: **Karsten Manufacturing Corporation**,
Phoenix, AZ (US)

(57) **CLAIM**
The ornamental design for a golf club head, as shown and described.

(72) Inventors: **Xiaojian Chen**, Phoenix, AZ (US);
Ryan M. Stokke, Phoenix, AZ (US);
Erik M. Henrikson, Mesa, AZ (US);
Eric J. Morales, Laveen, AZ (US)

DESCRIPTION

(73) Assignee: **Karsten Manufacturing Corporation**,
Phoenix, AZ (US)

FIG. 1 is a top perspective view of a golf club head;
FIG. 2 is a bottom perspective view thereof;
FIG. 3 is a front view thereof;
FIG. 4 is a rear view thereof;
FIG. 5 is a top view thereof;
FIG. 6 is a bottom view thereof;
FIG. 7 is a left view thereof;
FIG. 8 is a right view thereof;
FIG. 9 is a top perspective view of another embodiment of the golf club head;
FIG. 10 is a bottom perspective view of the golf club head in FIG. 9;
FIG. 11 is a front view thereof;
FIG. 12 is a rear view thereof;
FIG. 13 is a top view thereof;
FIG. 14 is a bottom view thereof;
FIG. 15 is a left view thereof;
FIG. 16 is a right view thereof;
FIG. 17 is a top perspective view of another embodiment of the golf club head;
FIG. 18 is a bottom perspective view of the golf club head in FIG. 17;
FIG. 19 is a front view thereof;
FIG. 20 is a rear view thereof;
FIG. 21 is a top view thereof;
FIG. 22 is a bottom view thereof;
FIG. 23 is a left view thereof; and,
FIG. 24 is a right view thereof.

(**) Term: **14 Years**

(21) Appl. No.: **29/515,848**

(22) Filed: **Jan. 27, 2015**

Related U.S. Application Data

(60) Division of application No. 29/470,598, filed on Oct. 23, 2013, now Pat. No. Des. 721,777, which is a continuation-in-part of application No. 13/536,753, filed on Jun. 28, 2012, now Pat. No. 8,608,587.

(51) **LOC (10) Cl.** **21-02**

(52) **U.S. Cl.**
USPC **D21/752**

(58) **Field of Classification Search**
USPC D21/733, 752, 759
CPC .. A63B 53/00; A63B 53/04; A63B 53/0466;
A63B 2053/002; A63B 2053/0404; A63B
2053/0433

See application file for complete search history.

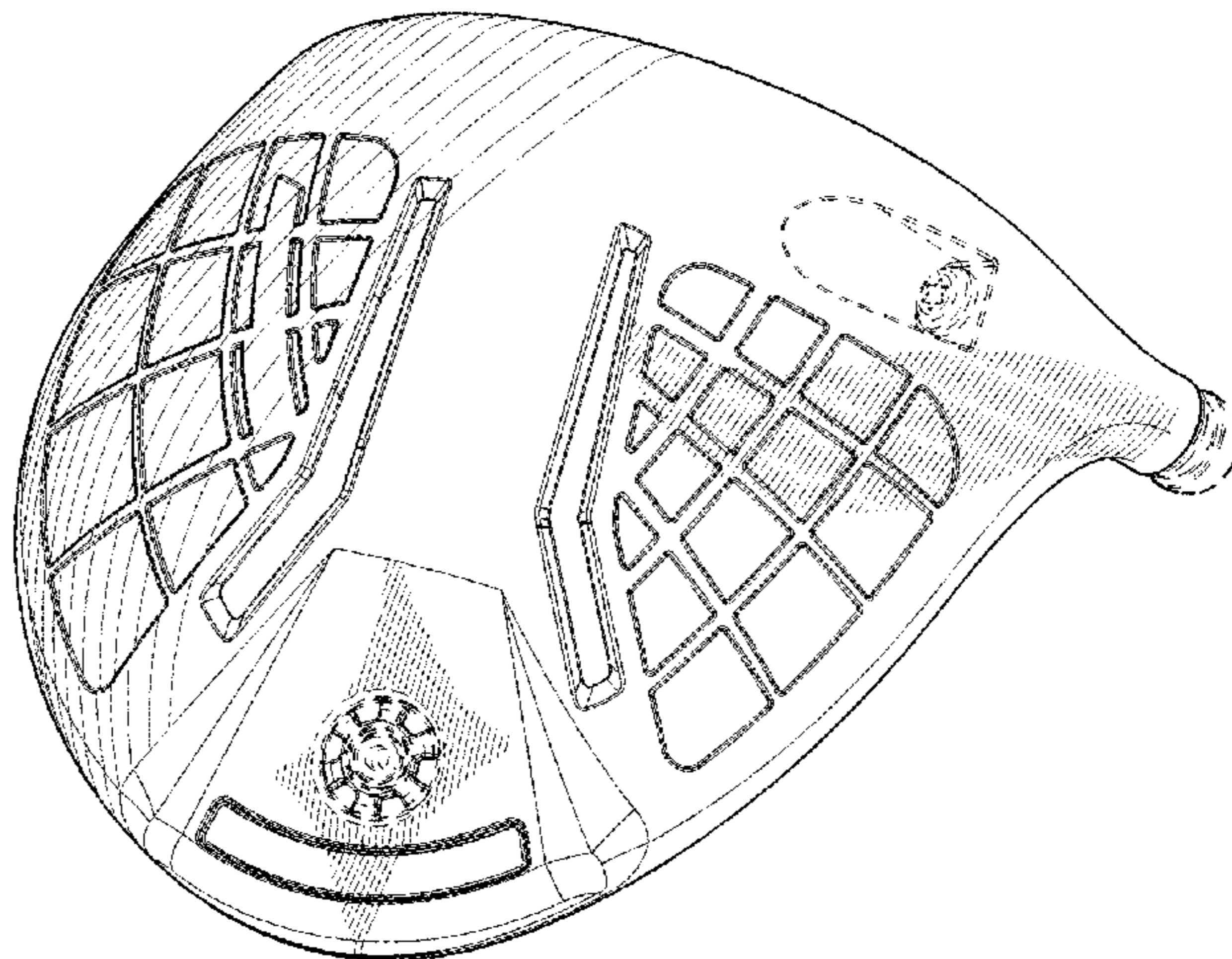
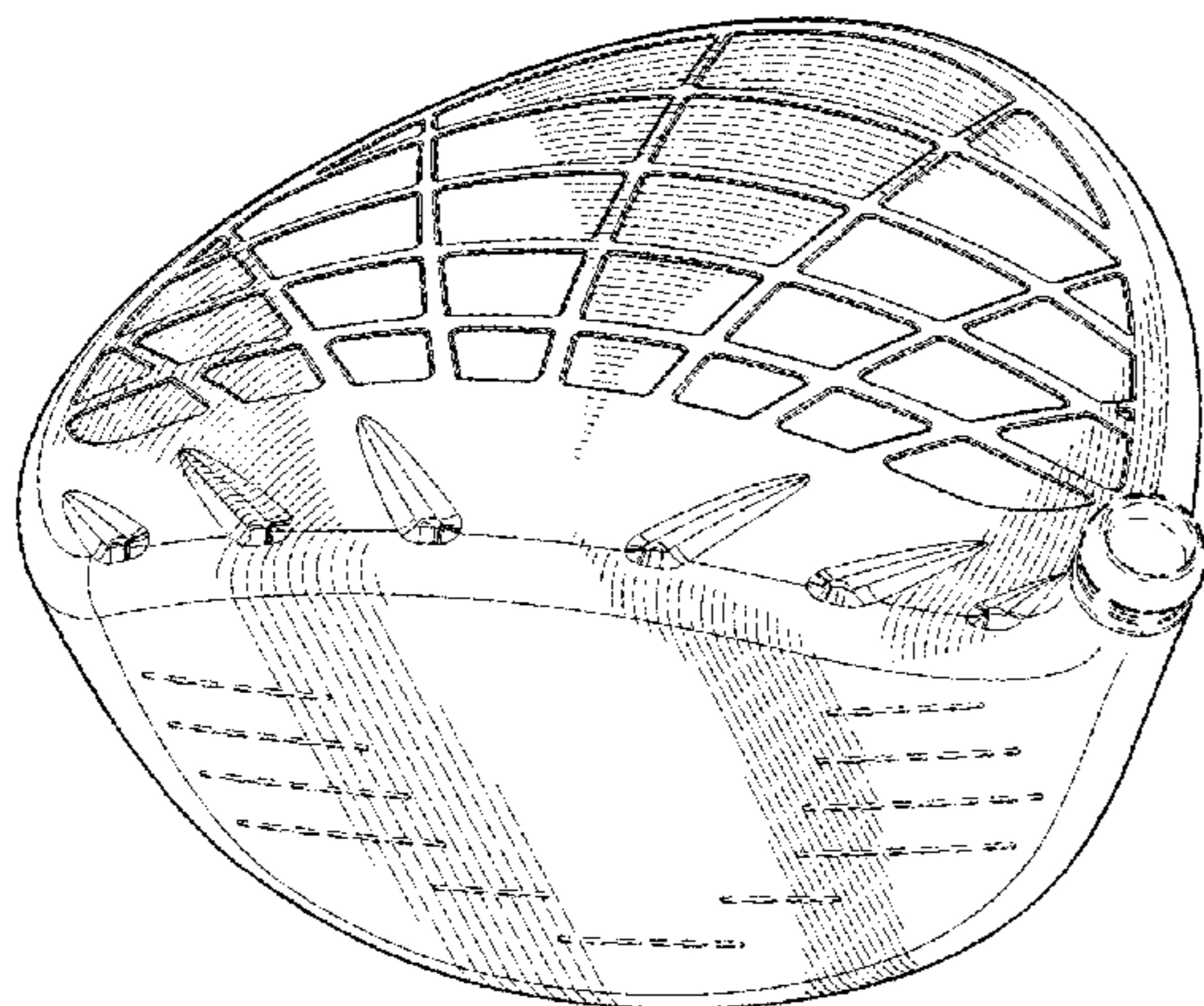
(56) **References Cited**

U.S. PATENT DOCUMENTS

1,993,928 A	3/1935	Glover
2,041,676 A	5/1936	Gallagher
2,756,055 A	7/1956	Bittner
D248,179 S	6/1978	Riley
4,139,196 A	2/1979	Riley

(Continued)

1 Claim, 12 Drawing Sheets



(56)

References Cited

U.S. PATENT DOCUMENTS

D307,783 S	5/1990	Iinuma	D557,363 S	12/2007	Jertson	
5,221,086 A	6/1993	Antonious	D558,287 S	12/2007	Jertson	
5,310,186 A	5/1994	Karsten	D558,288 S	12/2007	Jertson	
5,335,914 A	8/1994	Long	D561,286 S *	2/2008	Morales	D21/759
D352,755 S	11/1994	Cornish, III	D562,421 S	2/2008	Jertson	
D357,290 S	4/1995	Viollaz	7,326,472 B2	2/2008	Shimazaki	
5,547,188 A	8/1996	Dumontier	D563,498 S	3/2008	Jertson	
D379,391 S	5/1997	Moore	D564,054 S	3/2008	Jertson	
5,658,206 A	8/1997	Antonious	D564,055 S	3/2008	Jertson	
D383,511 S	9/1997	Lo	D564,056 S	3/2008	Chen	
5,795,245 A	8/1998	Chang	D566,214 S	4/2008	Evans	
D398,682 S	9/1998	Moore	D567,317 S	4/2008	Jertson	
D402,340 S	12/1998	Sheets	D567,891 S	4/2008	Serrano	
D404,098 S	1/1999	Ishikawa	D569,465 S *	5/2008	Yi	D21/752
5,980,394 A	11/1999	Domas	D569,933 S	5/2008	Jertson	
D418,888 S	1/2000	Williams	D569,934 S	5/2008	Jertson	
D425,589 S	5/2000	Ishikawa	D569,935 S	5/2008	Schweigert	
D426,604 S	6/2000	Besnard	D569,936 S	5/2008	Schweigert	
6,074,310 A	6/2000	Ota	D569,937 S	5/2008	Sanchez	
6,080,069 A	6/2000	Long	D569,938 S	5/2008	Sanchez	
D433,073 S	10/2000	Sodano	D570,937 S	6/2008	Schweigert	
D441,818 S	5/2001	Sato	D570,938 S	6/2008	Jertson	
D442,245 S	5/2001	Roach	D570,939 S	6/2008	Chen	
D445,470 S	7/2001	Teramoto	D570,940 S	6/2008	Chen	
D446,268 S	8/2001	Satoh	D570,941 S	6/2008	Chen	
D446,563 S	8/2001	Besnard	D571,882 S	6/2008	Soracco	
D461,865 S	8/2002	Nagai	D572,324 S	7/2008	Chen	
D463,838 S	10/2002	Besnard	D572,782 S	7/2008	Sanchez	
D465,251 S	11/2002	Wood	D572,783 S	7/2008	Sanchez	
6,475,102 B2	11/2002	Helmstetter	D572,784 S	7/2008	Sanchez	
D469,141 S	1/2003	Poynor	D572,785 S	7/2008	Chen	
D472,950 S	4/2003	Burnett	D572,787 S	7/2008	Sanchez	
D482,421 S	11/2003	Kessler	D572,791 S	7/2008	Jertson	
D490,489 S	5/2004	Madore	D573,213 S	7/2008	Sanchez	
D492,745 S	7/2004	Tang	D573,214 S	7/2008	Sanchez	
D502,976 S	3/2005	Nishitani	D573,215 S	7/2008	Sanchez	
D508,544 S	8/2005	Madore	D573,216 S	7/2008	Sanchez	
D509,272 S	9/2005	Smith	D573,217 S	7/2008	Sanchez	
6,939,247 B1	9/2005	Schweigert	D573,218 S	7/2008	Sanchez	
D513,424 S	1/2006	Erickson	D573,674 S	7/2008	Sanchez	
D514,179 S	1/2006	Chen	D573,675 S	7/2008	Sanchez	
6,988,960 B2	1/2006	Mahaffey	D573,676 S	7/2008	Chen	
D518,129 S	3/2006	Poynor	D573,678 S	7/2008	Kawami	
D518,543 S	4/2006	Aguinaldo	D574,046 S	7/2008	Chen	
D521,093 S	5/2006	Jorgensen	D574,048 S	7/2008	Kadoya	
D522,077 S	5/2006	Schweigert	D574,049 S	7/2008	Kadoya	
D522,601 S	6/2006	Schweigert	D574,050 S	7/2008	Jones	
D523,103 S	6/2006	Hocknell	7,396,296 B2	7/2008	Evans	
D523,498 S	6/2006	Chen	D574,456 S	8/2008	Chen	
D523,502 S	6/2006	Jorgensen	D578,587 S *	10/2008	Hoffman	D21/752
D526,694 S	8/2006	Schweigert	D579,064 S *	10/2008	Beach	D21/752
D529,111 S	9/2006	Cleveland	D579,065 S *	10/2008	Yi	D21/752
D530,761 S	10/2006	Evans	D579,066 S *	10/2008	Dipert	D21/752
D532,473 S	11/2006	Chen	D579,067 S *	10/2008	Hoffman	D21/752
D532,474 S	11/2006	Bennett	D580,504 S	11/2008	Bosilkovski	
D532,854 S	11/2006	Oldknow	D583,432 S	12/2008	Serrano	
D535,343 S	1/2007	Chen	D587,772 S	3/2009	Ferguson	
D536,049 S	1/2007	Evans	D588,217 S	3/2009	Jertson	
D537,139 S	2/2007	Breier	D588,220 S	3/2009	Ferguson	
D537,495 S	2/2007	Schweigert	D588,659 S	3/2009	Jertson	
D537,496 S	2/2007	Serrano	D589,576 S	3/2009	Kadoya	
D537,895 S	3/2007	Breier	7,503,854 B2	3/2009	Galloway	
D538,363 S	3/2007	Schweigert	D591,810 S	5/2009	Murphy	
D538,371 S	3/2007	Kawami	D591,817 S	5/2009	Murphy	
D538,866 S	3/2007	Kim	D591,818 S	5/2009	Roberts	
D538,867 S	3/2007	Cleveland	D594,518 S	6/2009	Schweigert	
D539,371 S	3/2007	Serrano	D594,521 S	6/2009	Jertson	
D541,364 S	4/2007	Barez	D594,919 S	6/2009	Schweigert	
D547,815 S	7/2007	Tang	D595,381 S	6/2009	Waggoner	
D550,318 S	9/2007	Oldknow	D596,252 S	7/2009	Jertson	
D550,799 S	9/2007	Lin	D598,062 S	8/2009	Dipert	
D552,198 S	10/2007	Schweigert	D600,297 S	9/2009	Jertson	
D553,206 S *	10/2007	Morales	D603,472 S	11/2009	Schweigert	
D555,745 S	11/2007	Rollinson	D603,919 S	11/2009	Gray	
D557,362 S *	12/2007	Serrano	D604,376 S	11/2009	Darley	
			D609,293 S	2/2010	Williams	
			D609,294 S	2/2010	Oldknow	
			D611,555 S	3/2010	Oldknow	
			D612,005 S	3/2010	Oldknow	

(56)

References Cited

U.S. PATENT DOCUMENTS

D613,805 S 4/2010 Sutovsky
 D618,747 S 6/2010 Schweigert
 D618,753 S 6/2010 Jertson
 D618,754 S 6/2010 Schweigert
 D621,892 S 8/2010 Kohno
 7,892,111 B2* 2/2011 Morales A63B 53/0466
 473/345
 D635,626 S 4/2011 Nicolette
 D637,670 S* 5/2011 Foster D21/752
 D638,896 S 5/2011 Schweigert
 8,012,034 B1 9/2011 Cackett
 D661,751 S 6/2012 Nicolette
 D661,752 S 6/2012 Stokke
 D661,756 S 6/2012 Nicolette
 D661,757 S 6/2012 Stokke
 8,337,326 B2 12/2012 Lukasiewicz, Jr.
 D673,630 S 1/2013 Schweigert
 D680,179 S 4/2013 Solheim
 D687,503 S 8/2013 Solheim

D696,739 S 12/2013 Stokke
 8,608,587 B2* 12/2013 Henrikson A63B 53/0466
 473/324
 D709,574 S 7/2014 Bacon
 8,777,778 B2* 7/2014 Solheim A63B 53/0466
 473/345
 8,790,196 B2* 7/2014 Solheim A63B 53/0466
 473/344
 D720,025 S 12/2014 Nicolette
 D721,777 S* 1/2015 Chen D21/759
 D739,905 S* 9/2015 Stokke D21/759
 D755,317 S* 5/2016 Chen D21/759
 2005/0043117 A1 2/2005 Gilbert
 2006/0052181 A1* 3/2006 Serrano A63B 53/0466
 473/345
 2008/0039228 A1 2/2008 Breier
 2008/0045356 A1* 2/2008 Lin A63B 53/0466
 473/346
 2008/0171612 A1 7/2008 Serrano
 2008/0188322 A1 8/2008 Anderson
 2009/0275419 A1 11/2009 Cackett
 2011/0143858 A1 6/2011 Peralta

* cited by examiner

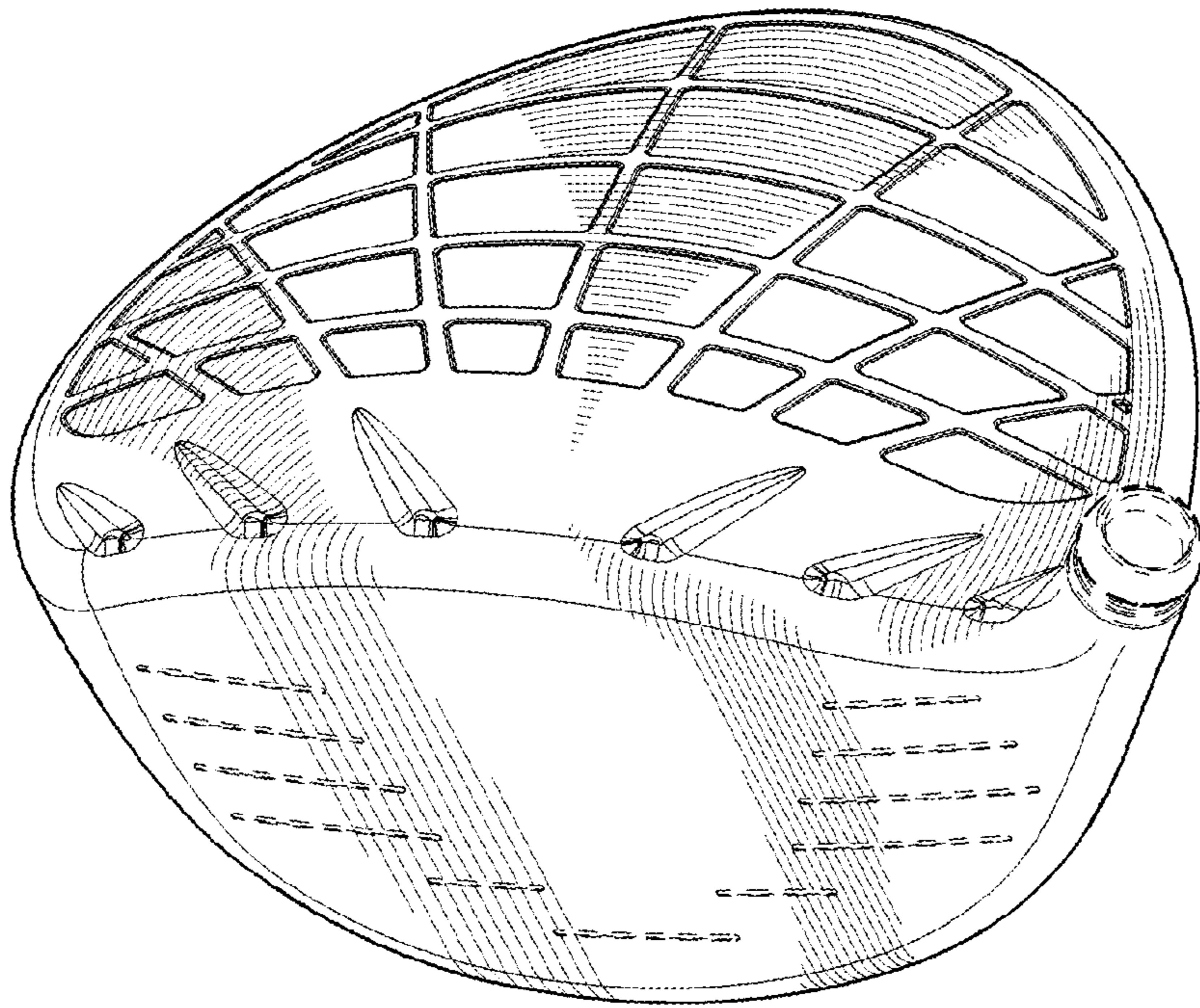


Fig. 1

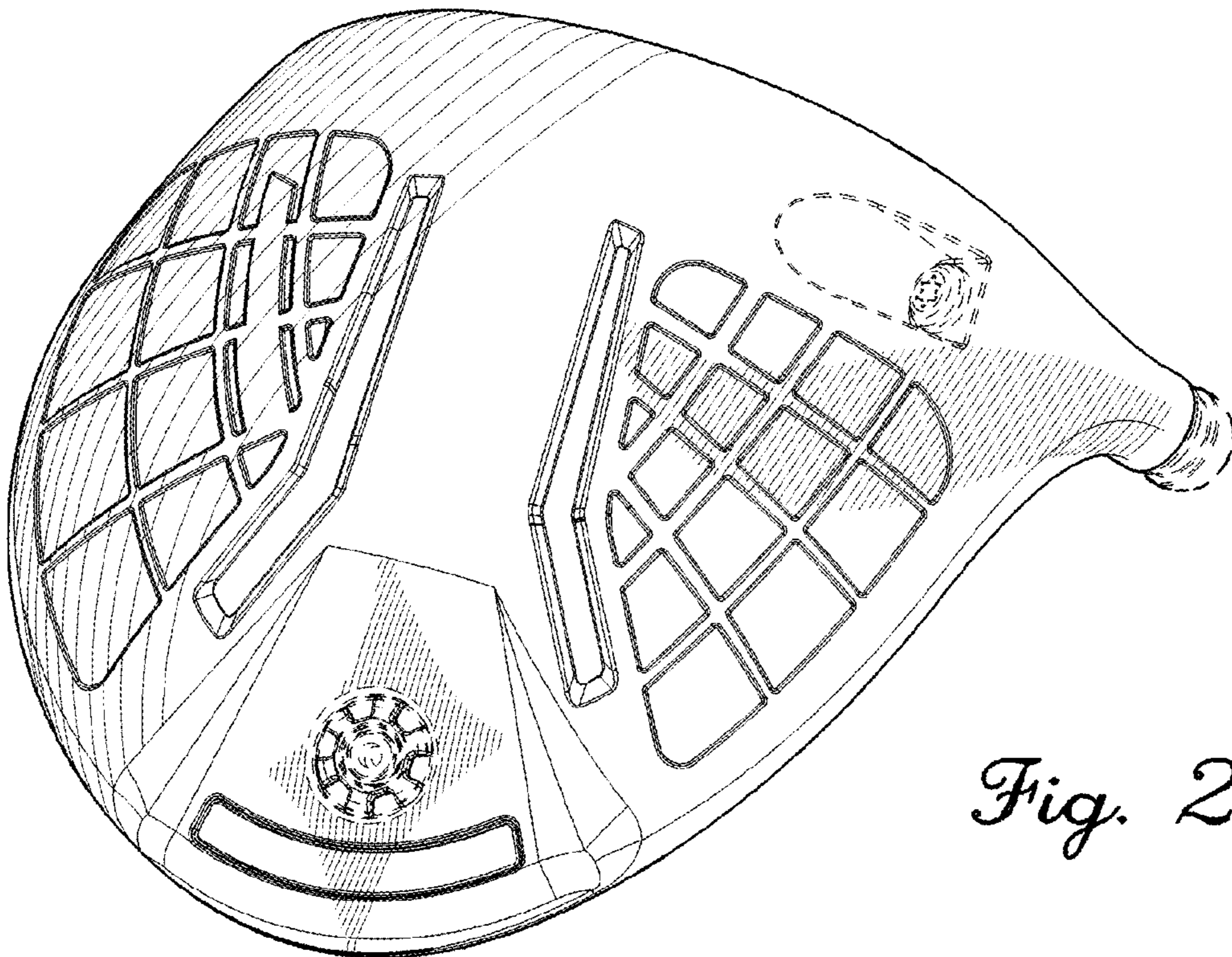


Fig. 2

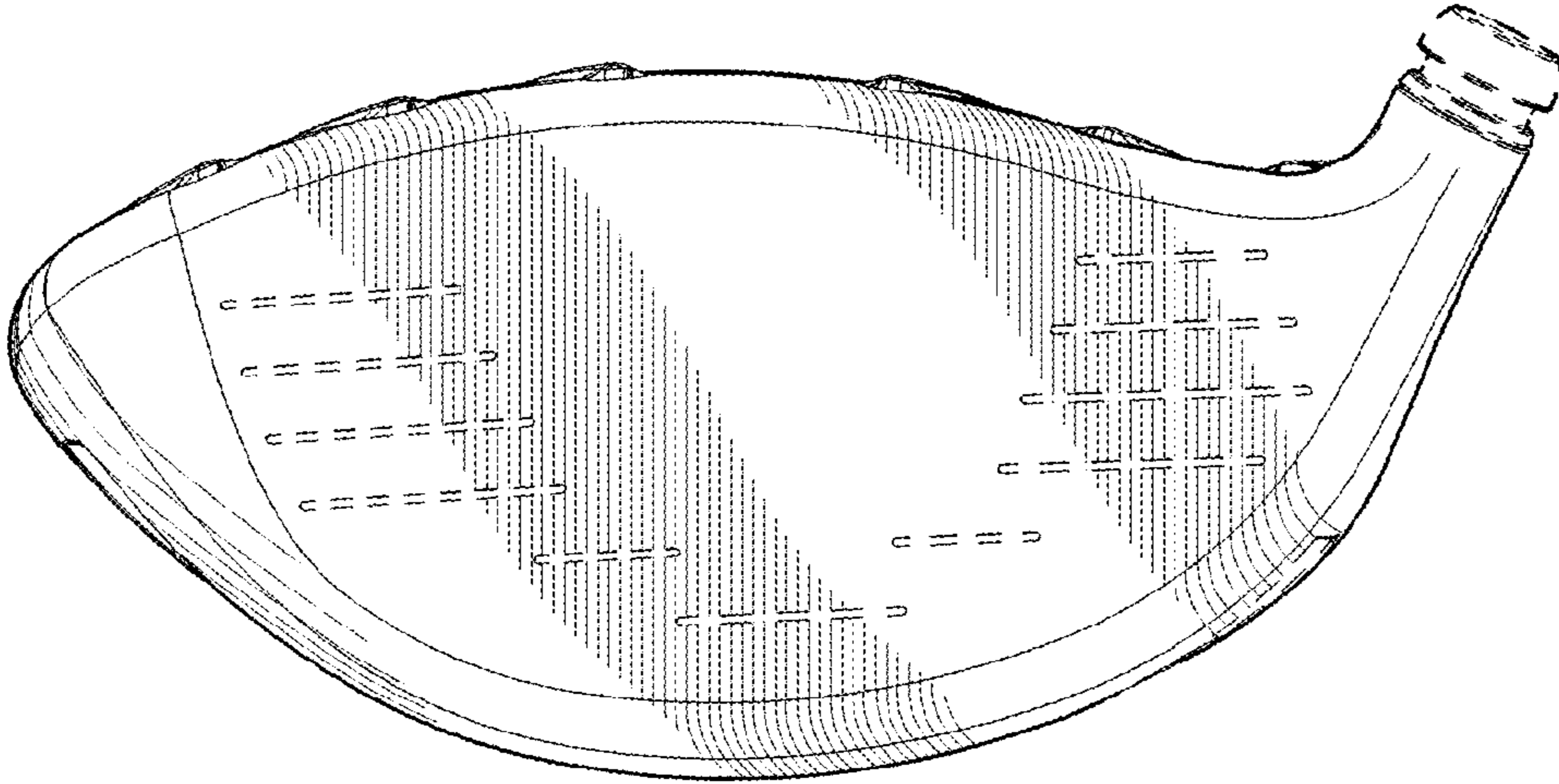


Fig. 3

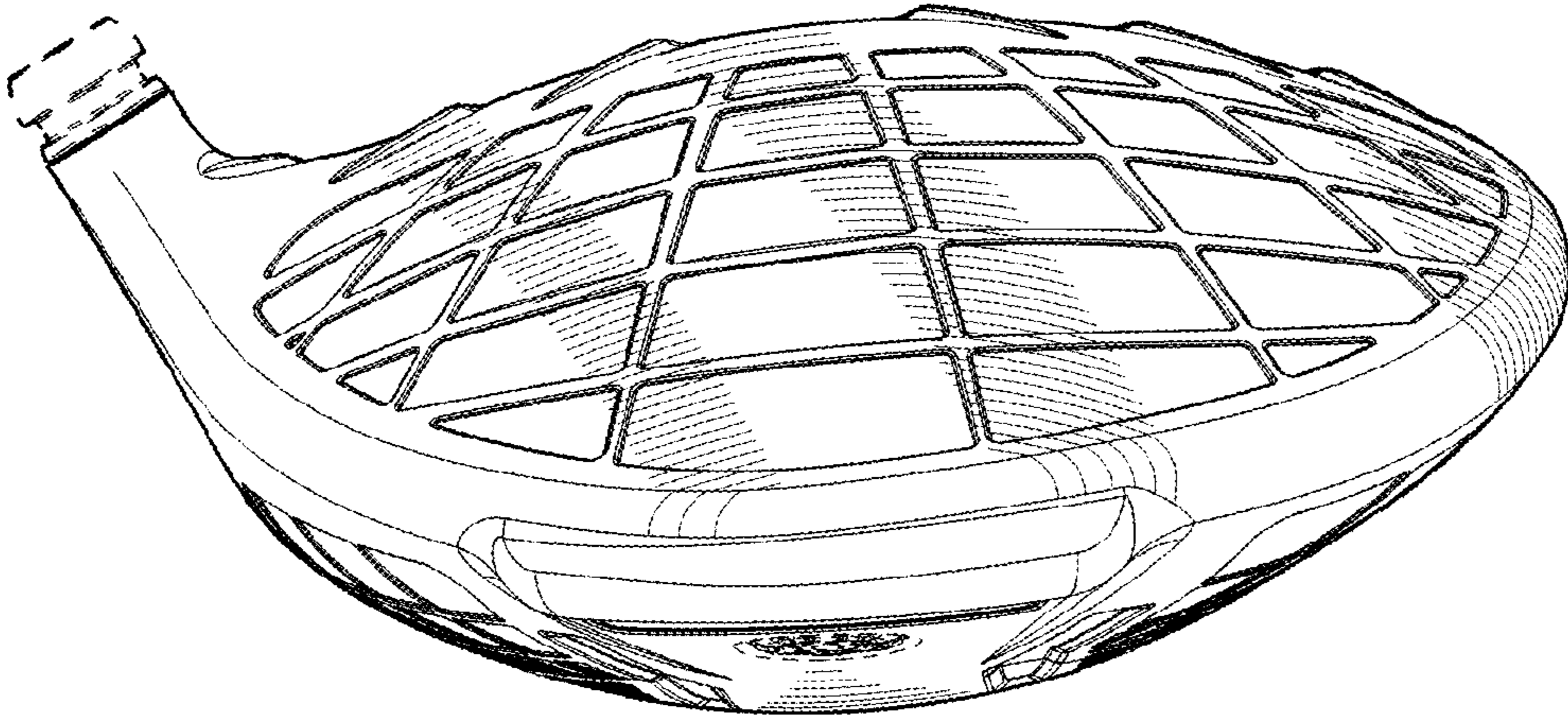


Fig. 4

Fig. 5

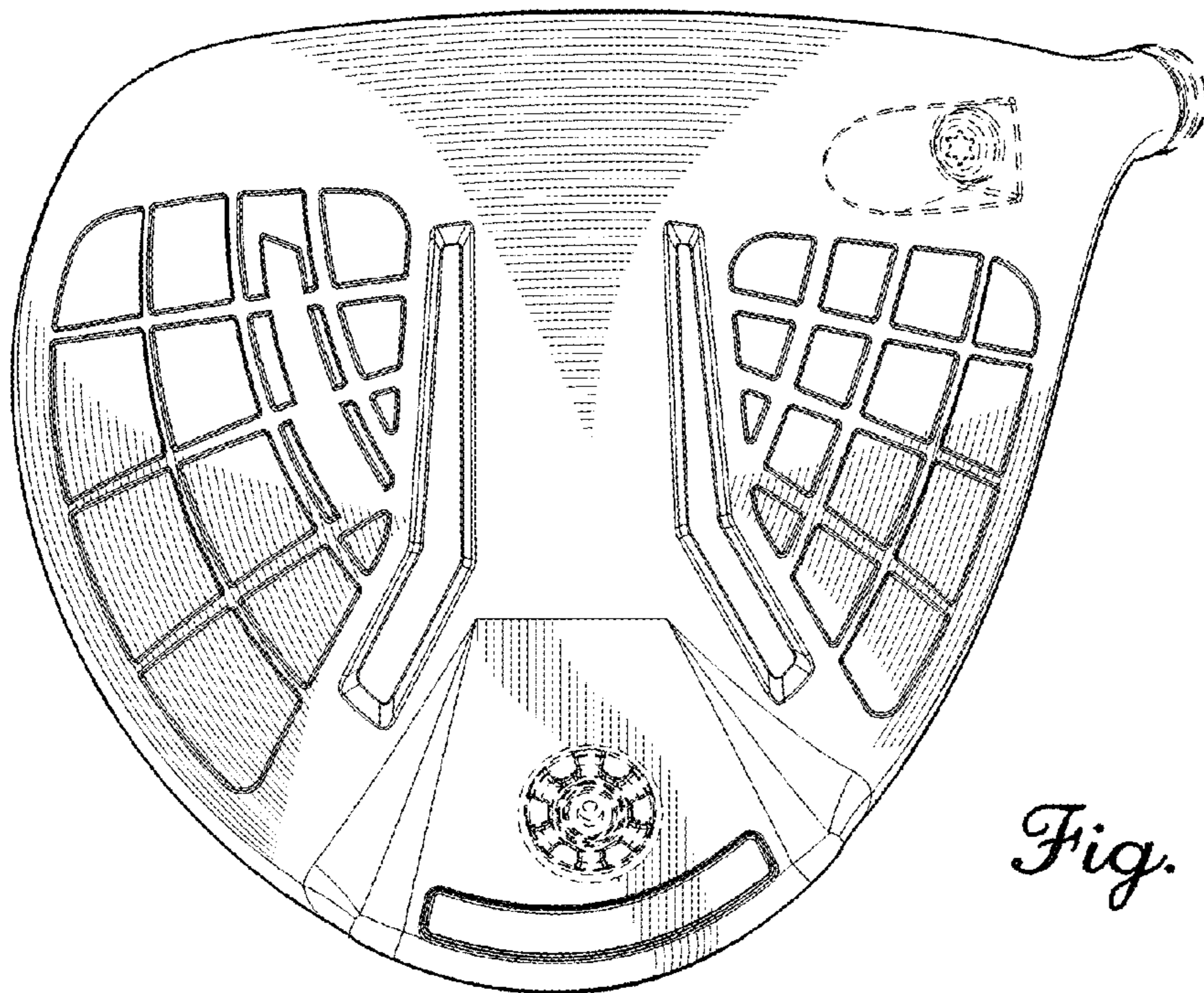
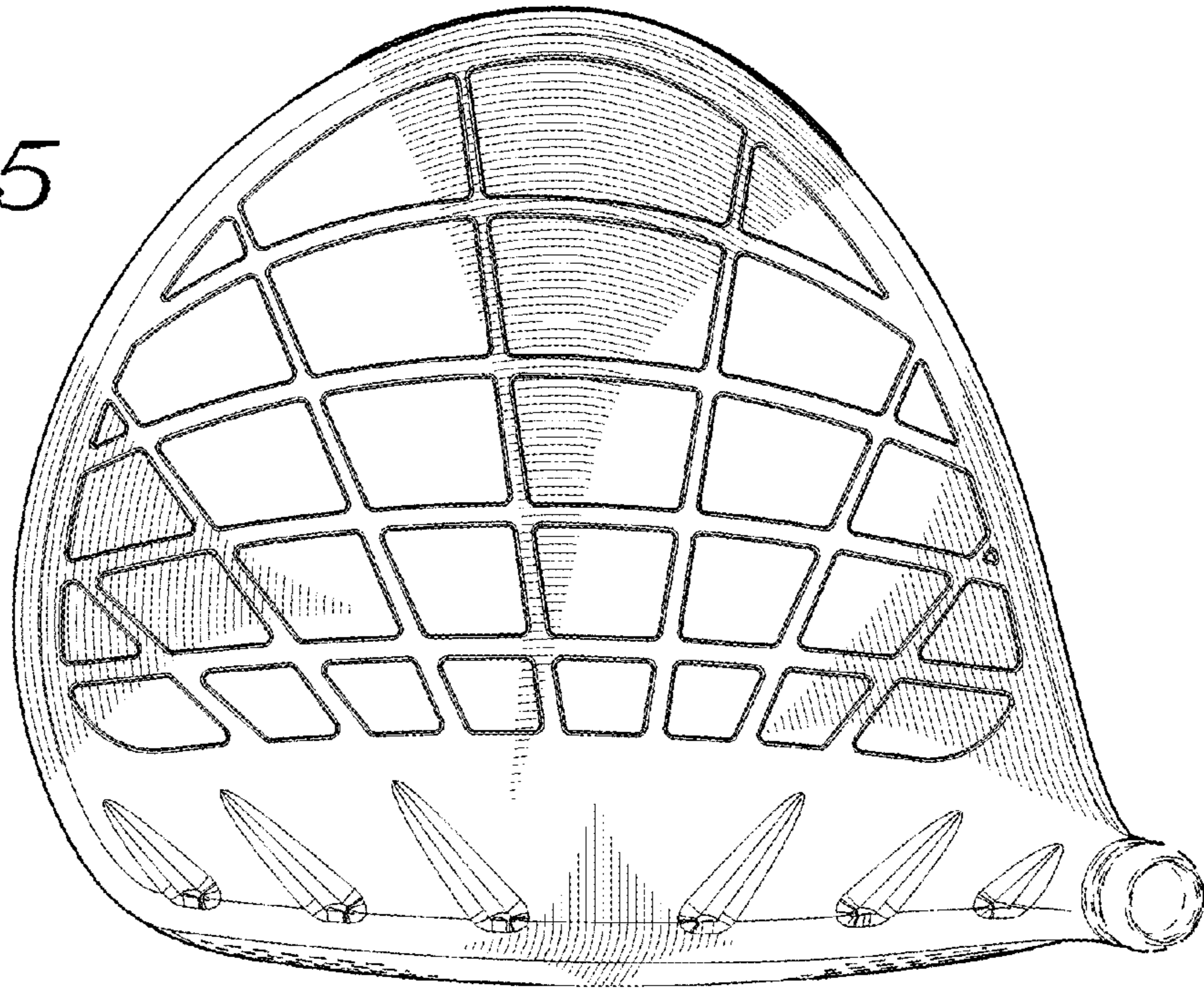


Fig. 6

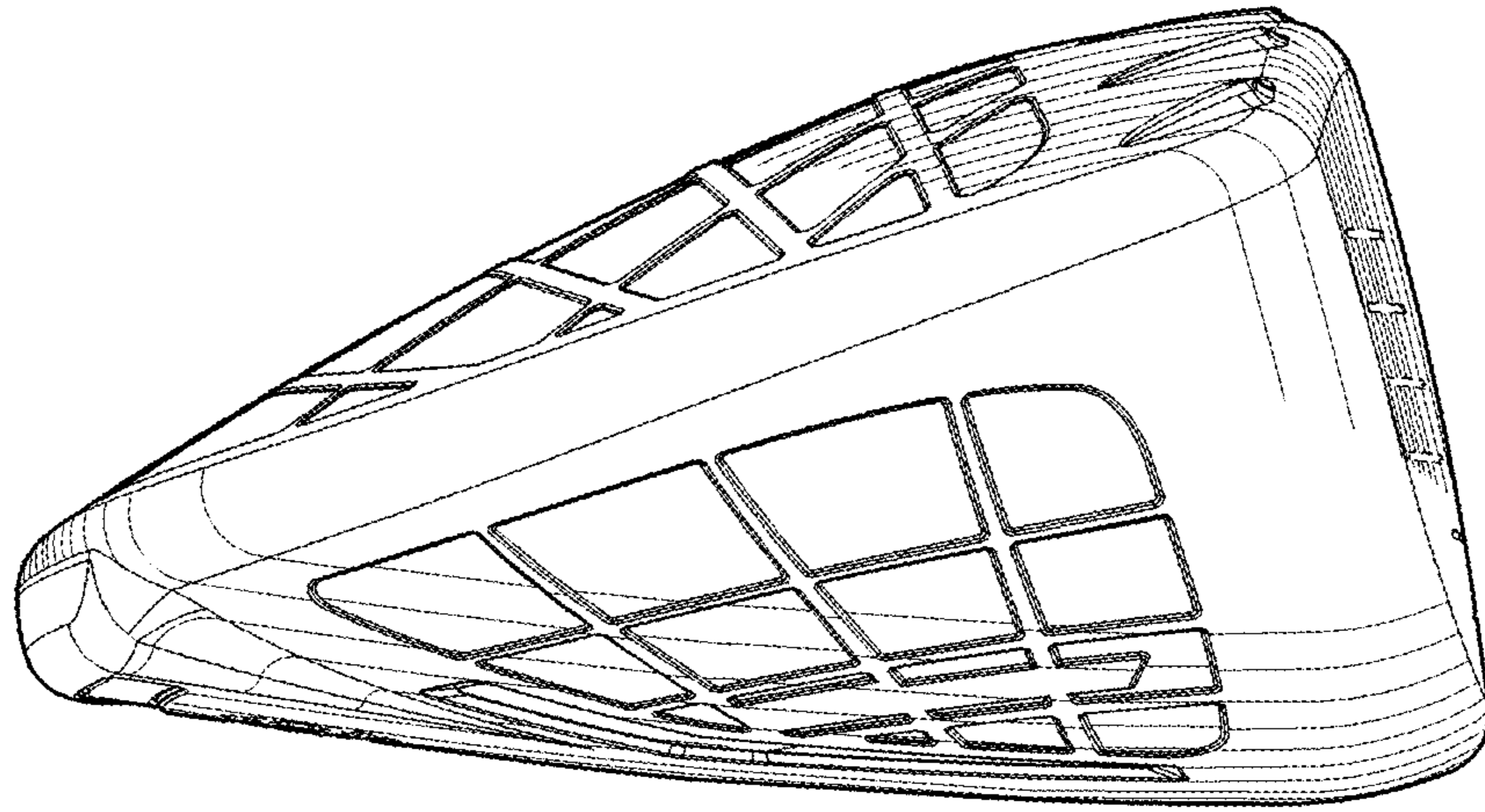


Fig. 7

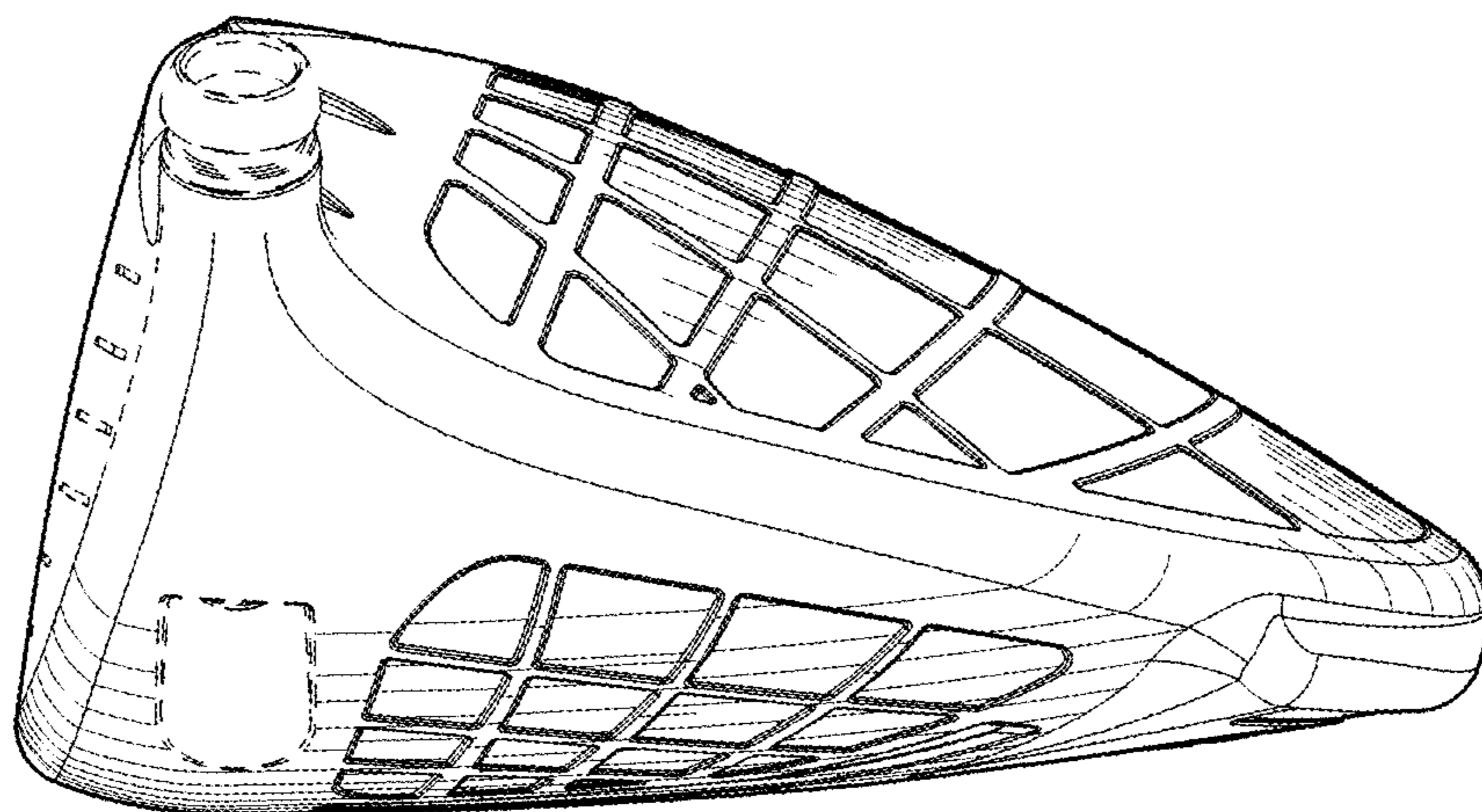


Fig. 8

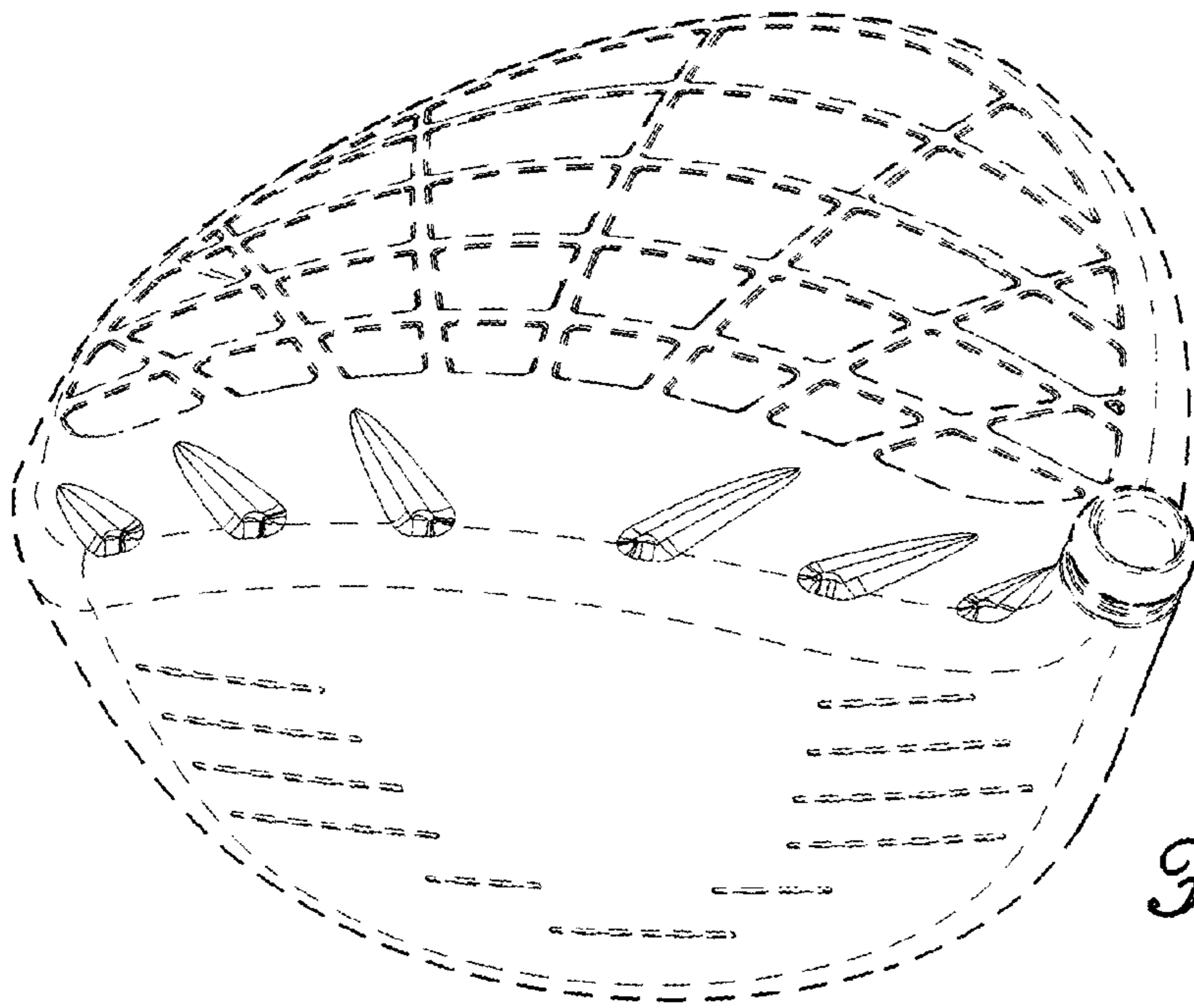


Fig. 9

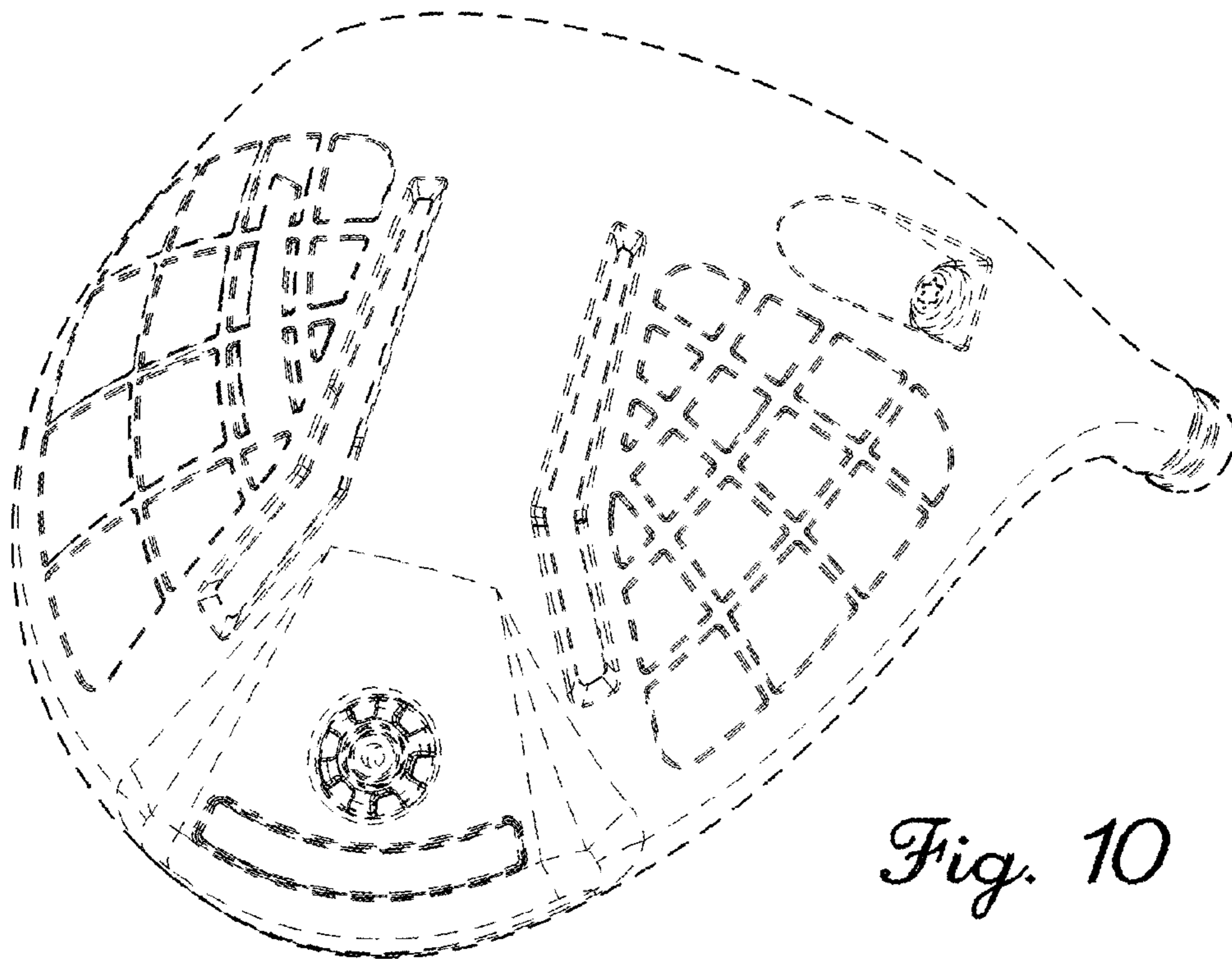


Fig. 10

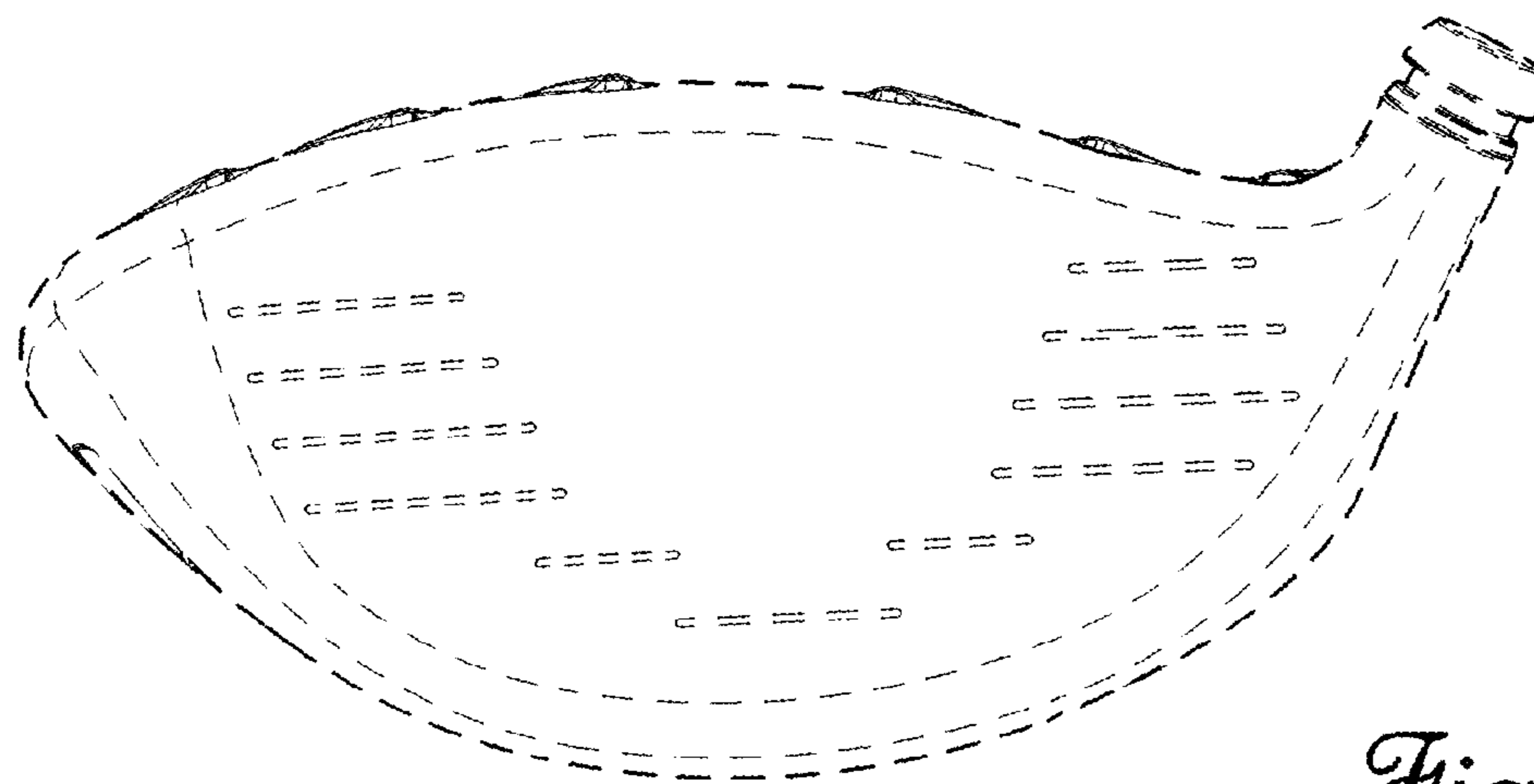


Fig. 11

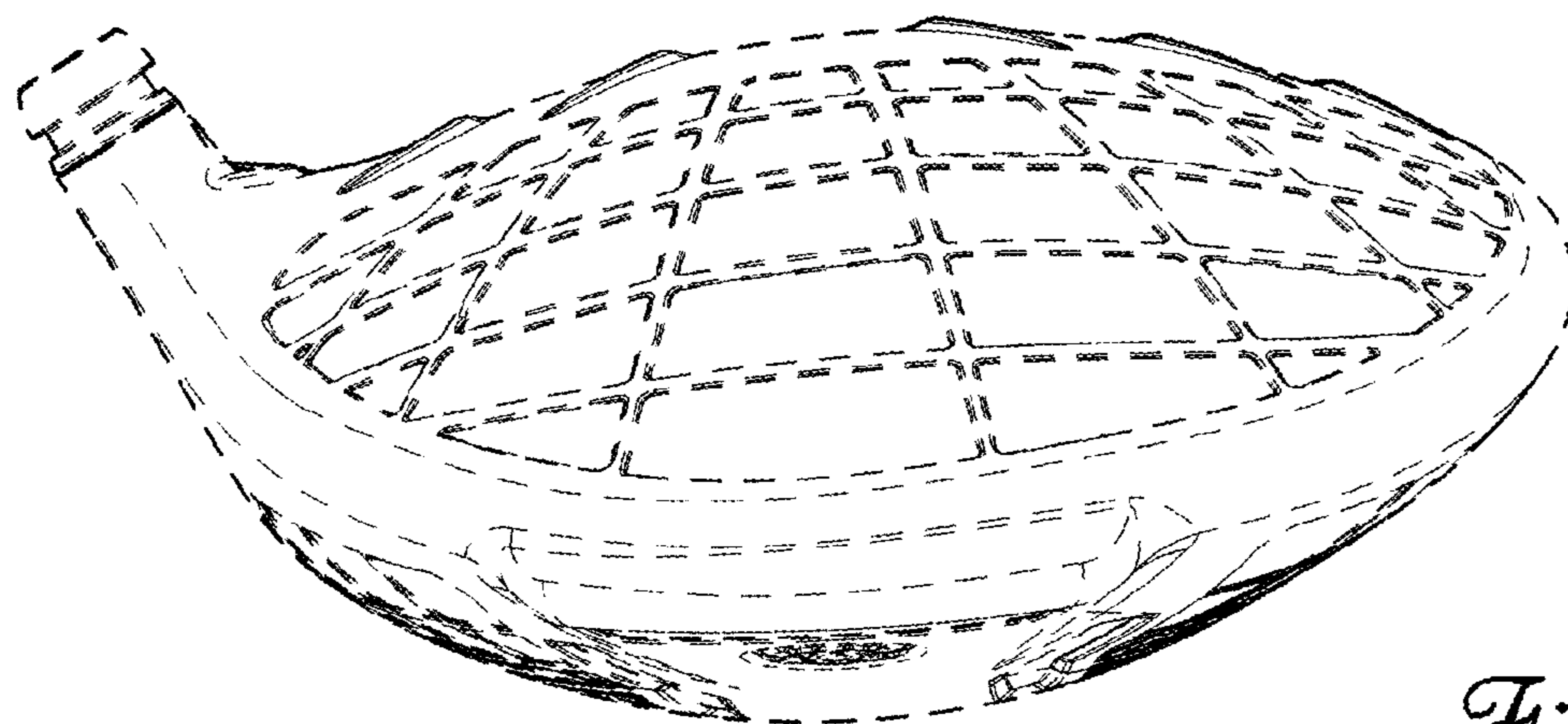


Fig. 12

Fig. 13

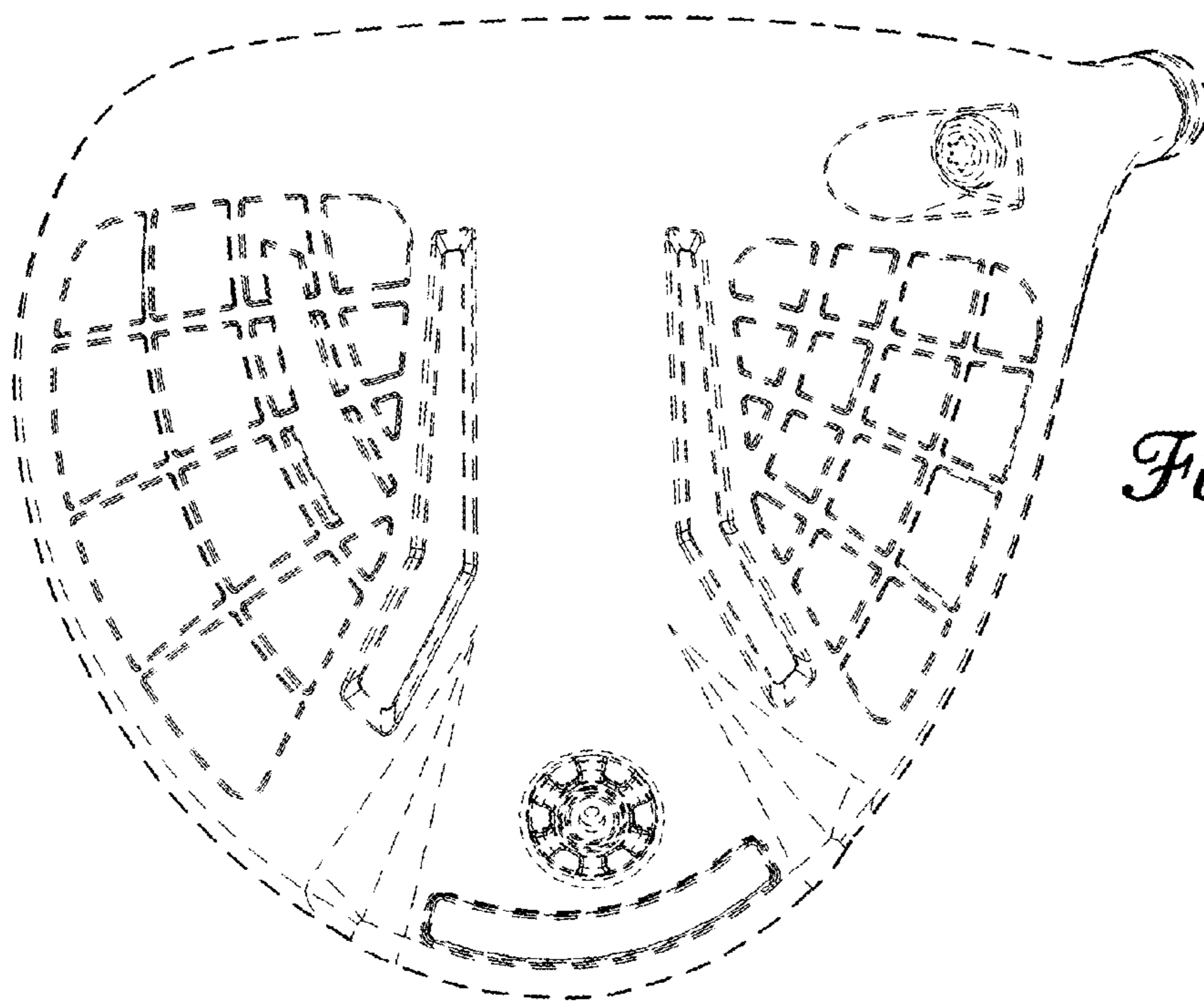
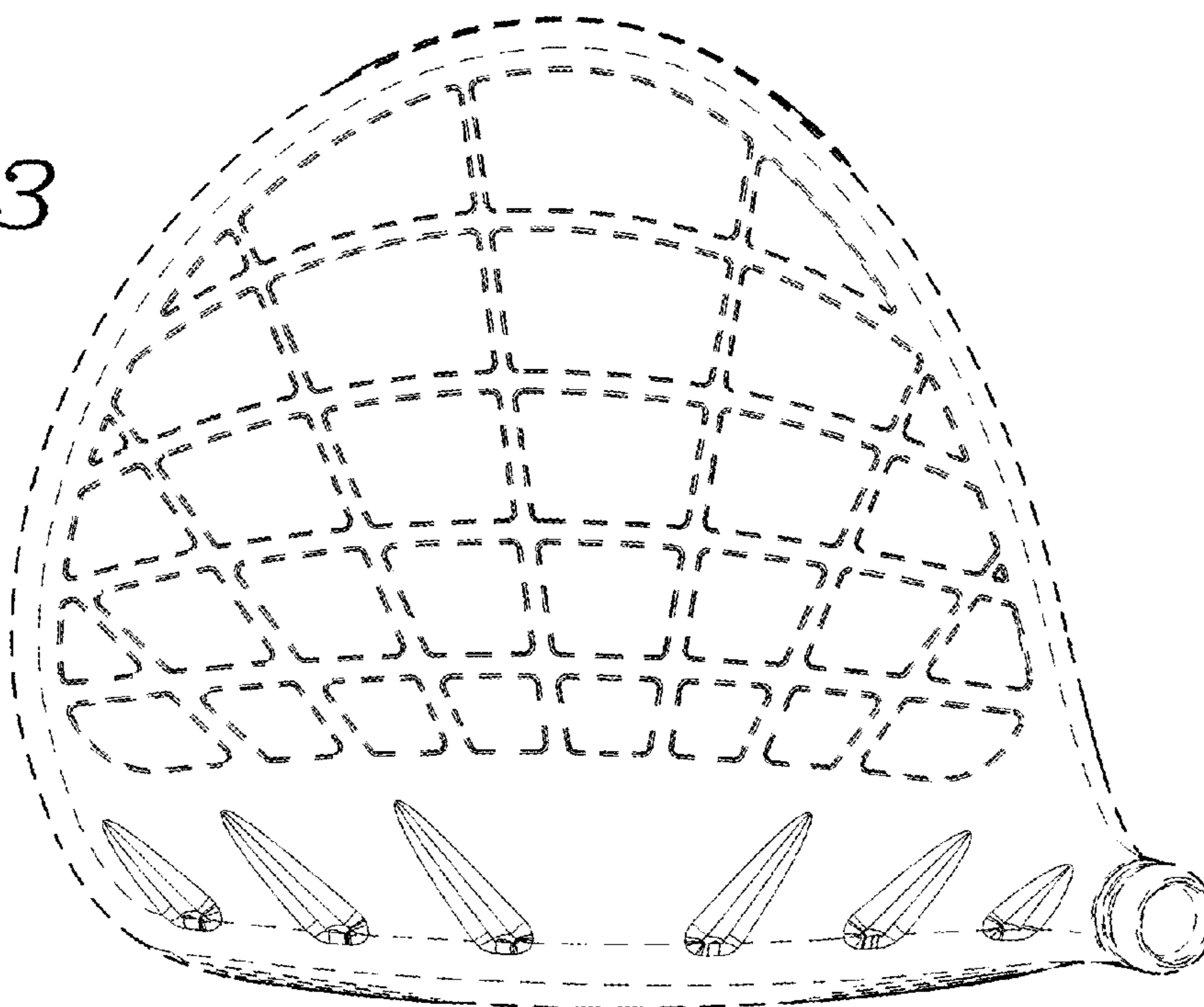


Fig. 14

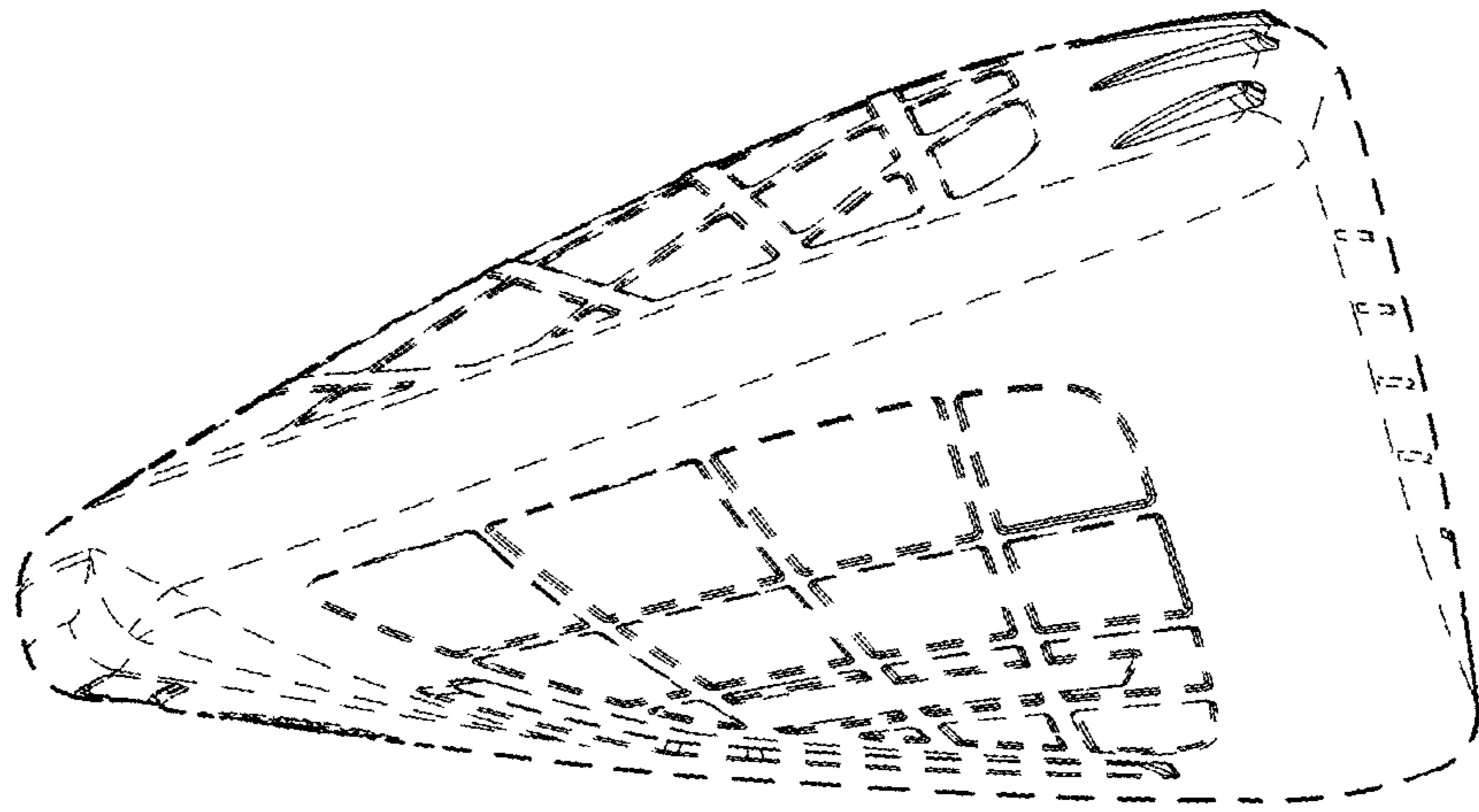


Fig. 15

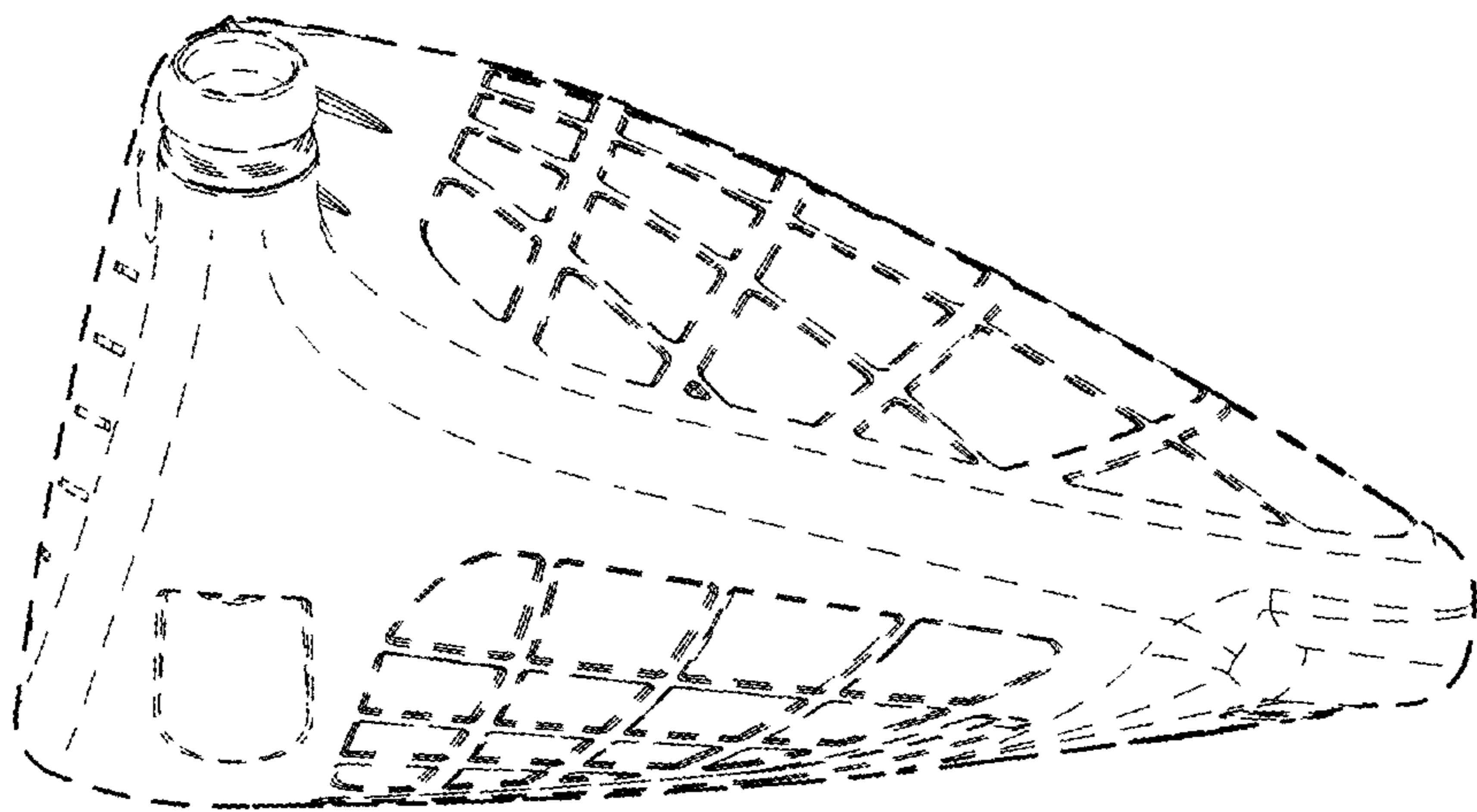


Fig. 16

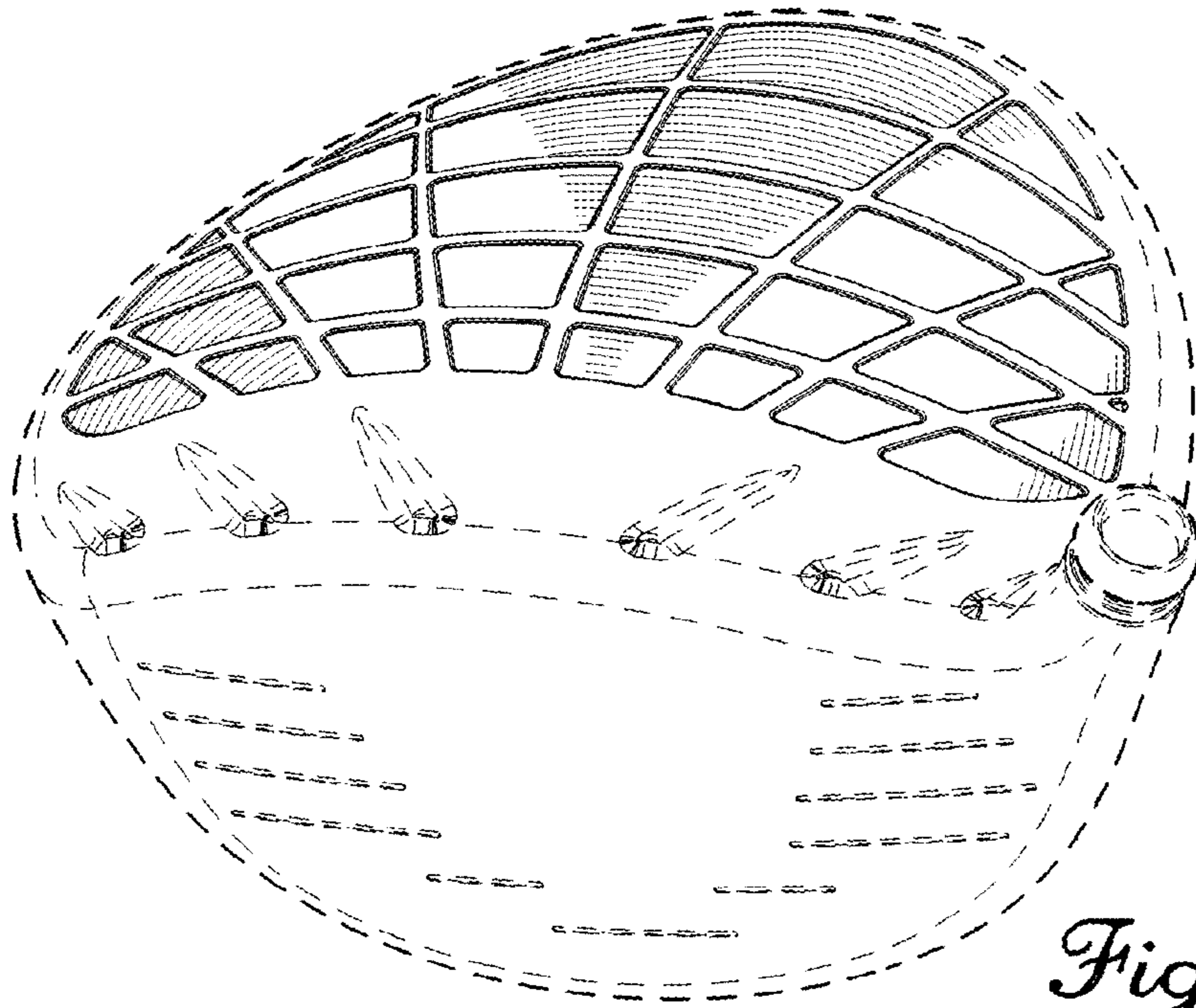


Fig. 17

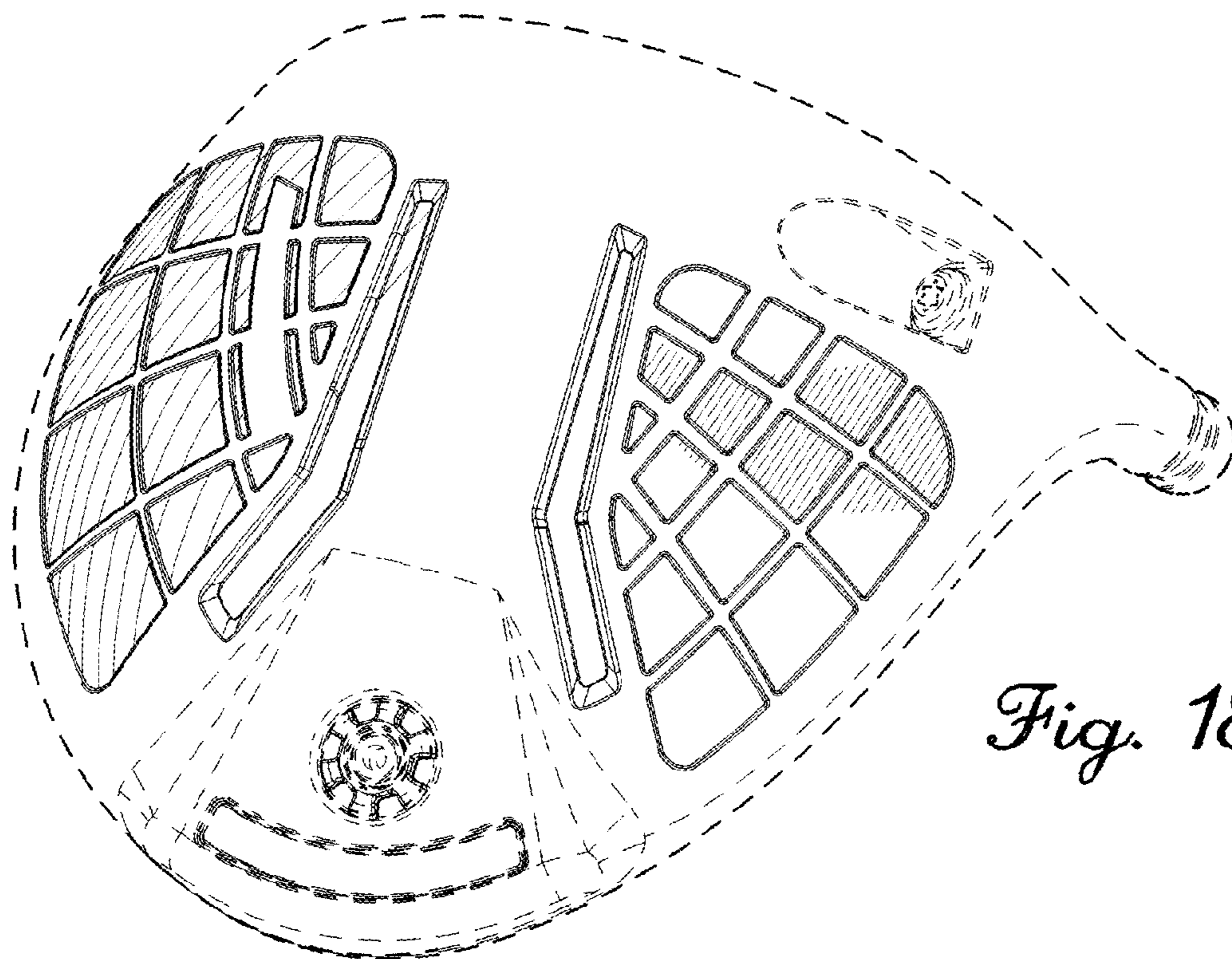


Fig. 18

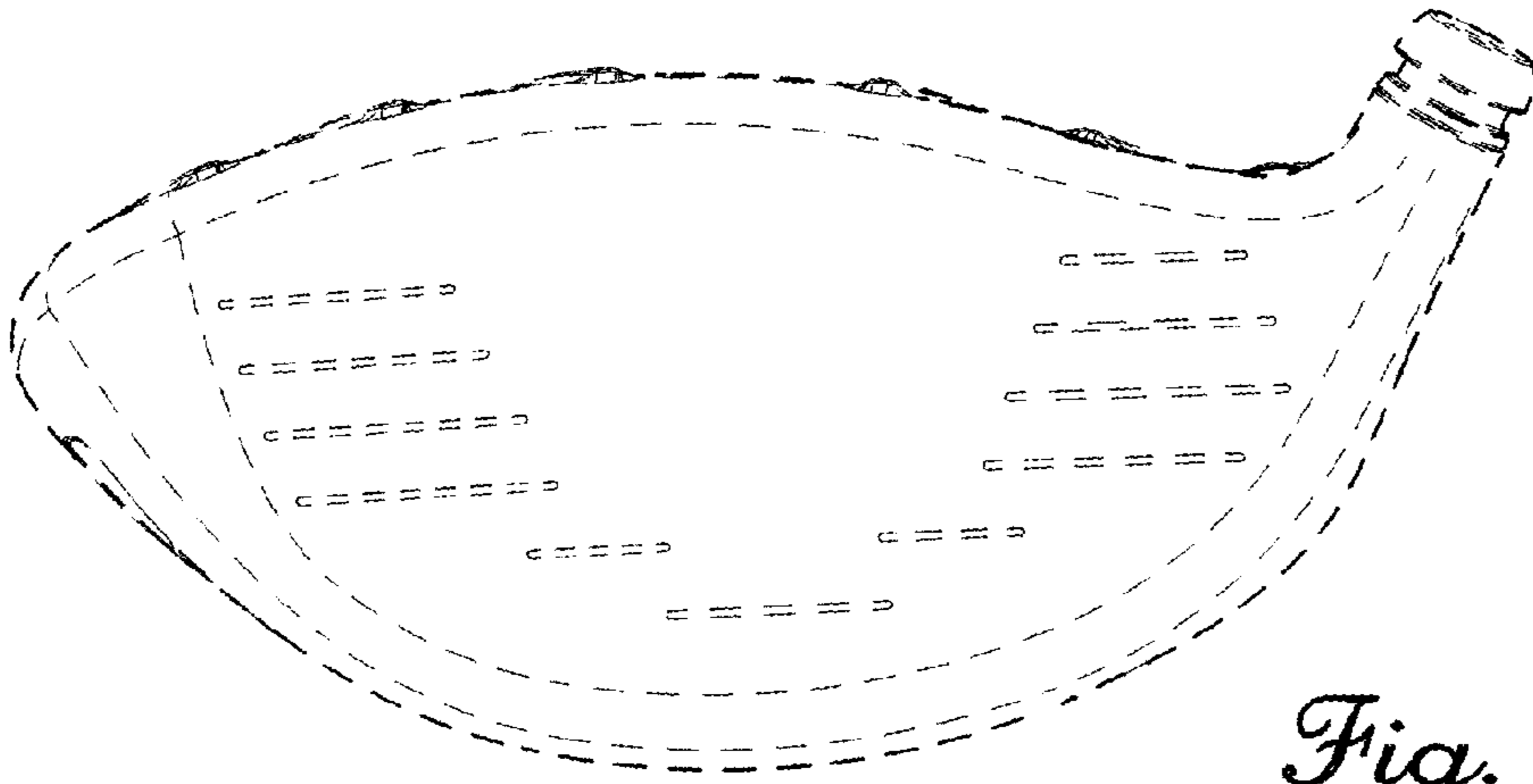


Fig. 19

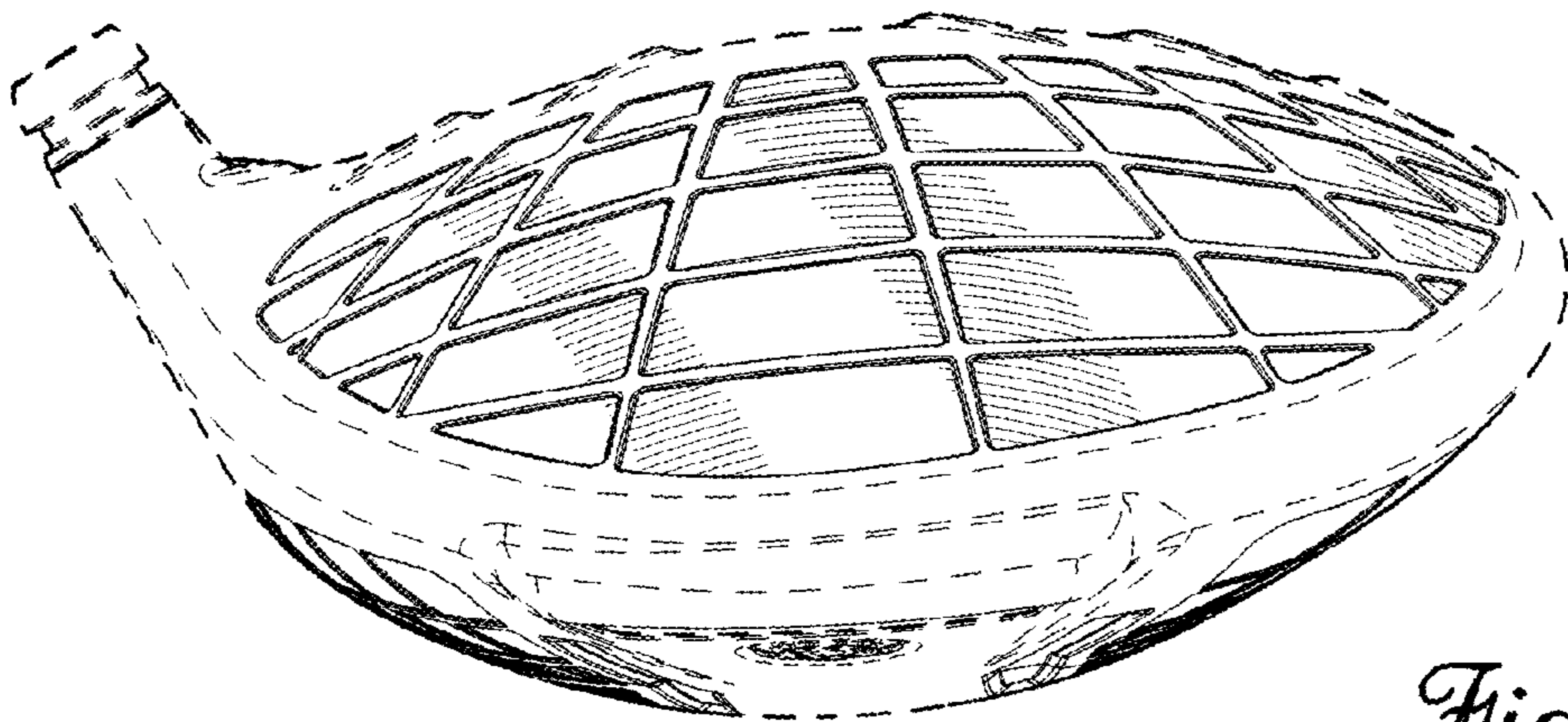


Fig. 20

Fig. 21

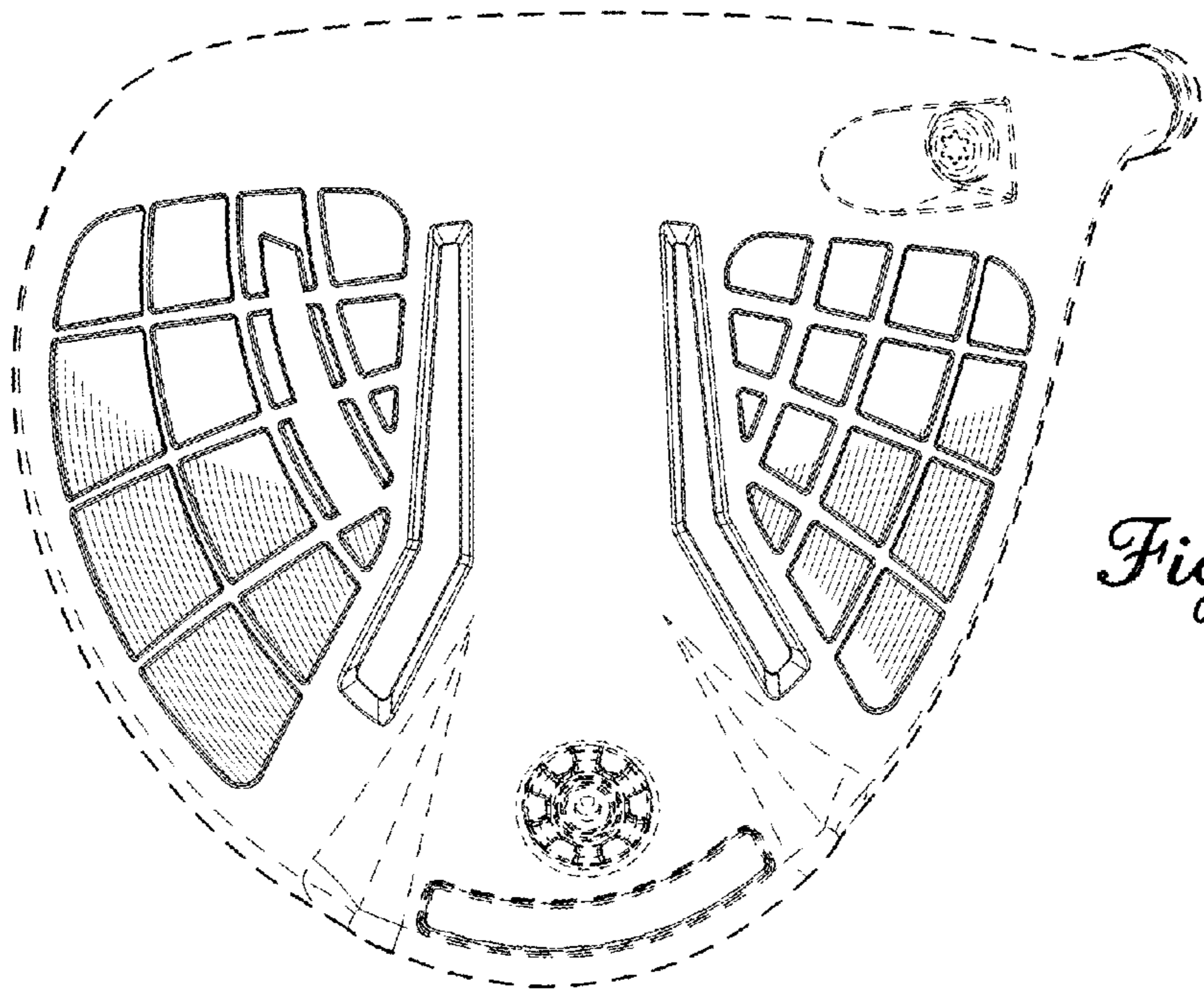
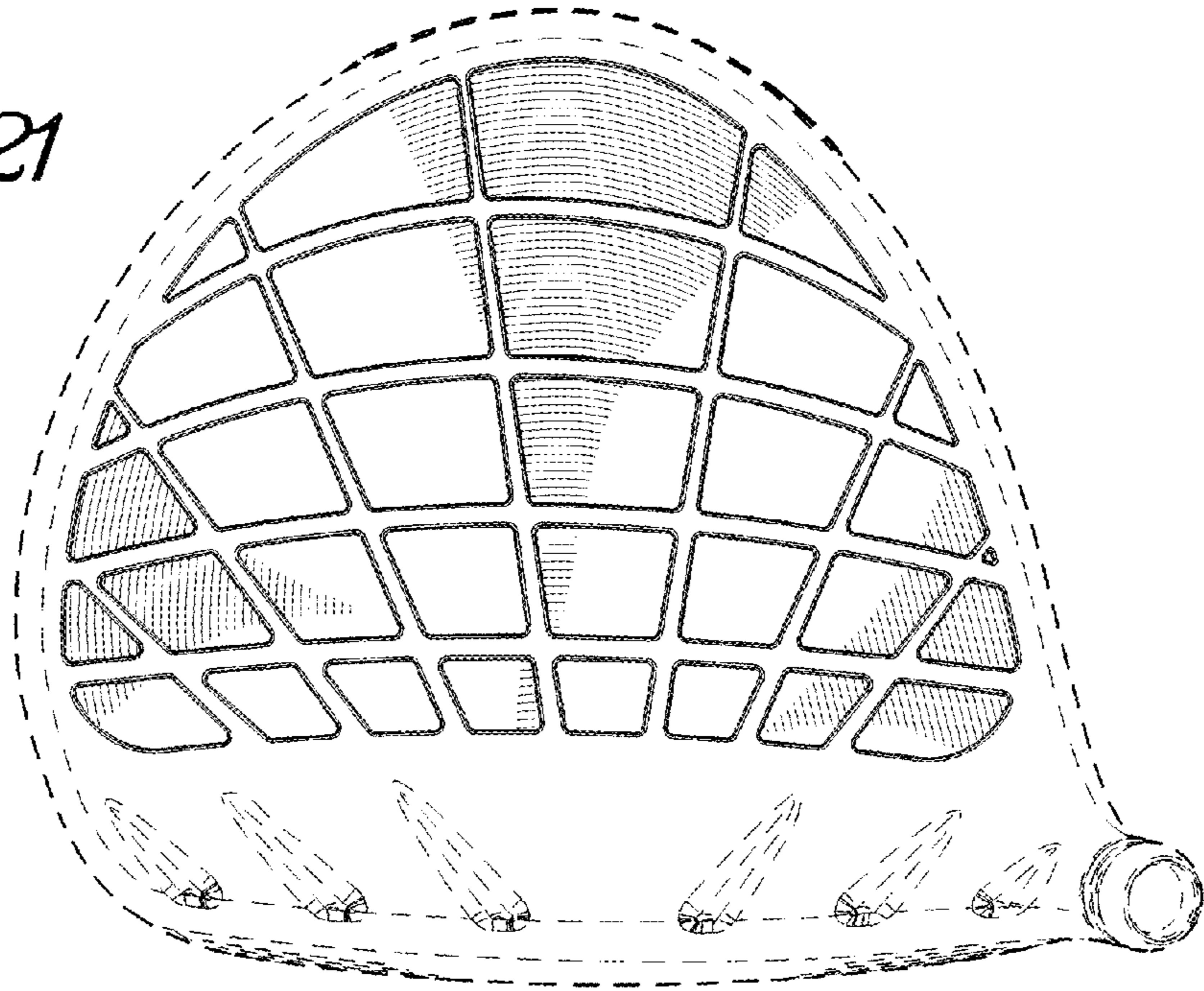


Fig. 22

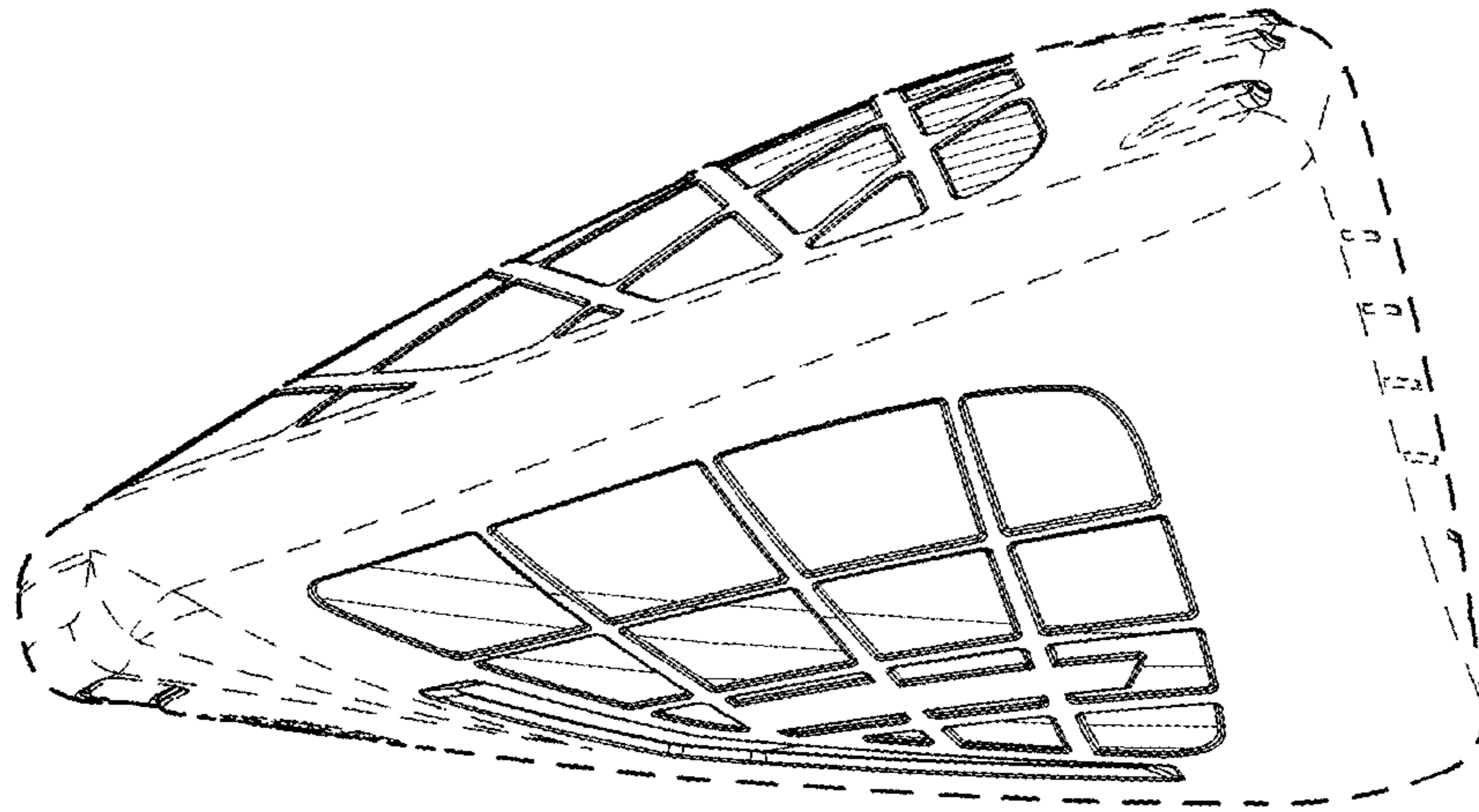


Fig. 23

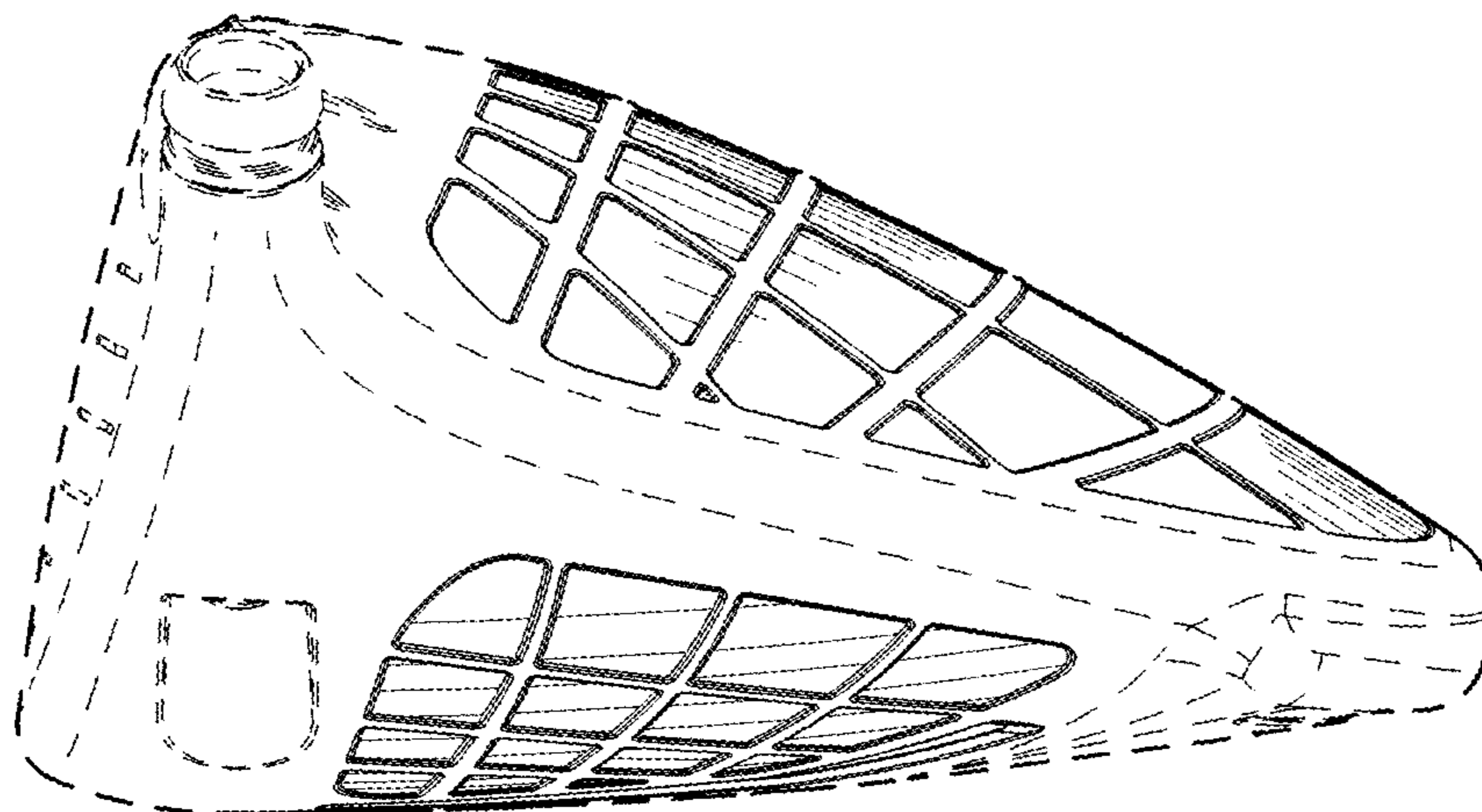


Fig. 24