



US00D771208S

(12) **United States Design Patent**  
**Bettinardi**

(10) **Patent No.:** **US D771,208 S**

(45) **Date of Patent:** **\*\* Nov. 8, 2016**

(54) **PUTTER HEAD**

(71) Applicant: **Robert J. Bettinardi**, Tinley Park, IL  
(US)

(72) Inventor: **Robert J. Bettinardi**, Tinley Park, IL  
(US)

(\*\*) Term: **15 Years**

(21) Appl. No.: **29/539,378**

(22) Filed: **Sep. 14, 2015**

(51) **LOC (10) Cl.** ..... **21-02**

(52) **U.S. Cl.**  
USPC ..... **D21/744**

(58) **Field of Classification Search**  
USPC ..... D21/736-746  
CPC A63B 53/065; A63B 53/0487; A63B 53/00;  
A63B 53/04; A63B 53/007  
See application file for complete search history.

(56) **References Cited**

**U.S. PATENT DOCUMENTS**

4,580,784	A	*	4/1986	Brill	.....	A63B 47/02 294/19.2
D408,878	S	*	4/1999	Patten	.....	D21/743
5,916,035	A	*	6/1999	Caiozzo	.....	A63B 53/0487 473/252
D478,642	S	*	8/2003	Spino	.....	D21/736
D532,844	S	*	11/2006	Rollinson	.....	D21/736
D532,845	S	*	11/2006	Rollinson	.....	D21/736
D533,244	S	*	12/2006	Kroll, Jr.	.....	D21/746
D565,681	S	*	4/2008	Tanaka	.....	D21/736
D573,673	S	*	7/2008	Noyes	.....	D21/721

D574,908	S	*	8/2008	Hettinger	.....	D21/743
D582,497	S	*	12/2008	Rollinson	.....	D21/744
D589,575	S	*	3/2009	Kim	.....	D21/744
D590,034	S	*	4/2009	Foster	.....	D21/744
D590,461	S	*	4/2009	Kim	.....	D21/743
D591,807	S	*	5/2009	Rollinson	.....	D21/744
D595,373	S	*	6/2009	Kim	.....	D21/744
D603,006	S	*	10/2009	Foster	.....	D21/736
D634,381	S	*	3/2011	Cardani	.....	D21/736
D636,829	S	*	4/2011	Cardani	.....	D21/759
D728,715	S	*	5/2015	Cameron	.....	D21/736
D730,464	S		5/2015	Cameron		
D731,605	S	*	6/2015	Rollinson	.....	D21/736

\* cited by examiner

*Primary Examiner* — Mitchell Siegel

(74) *Attorney, Agent, or Firm* — Polsinelli PC

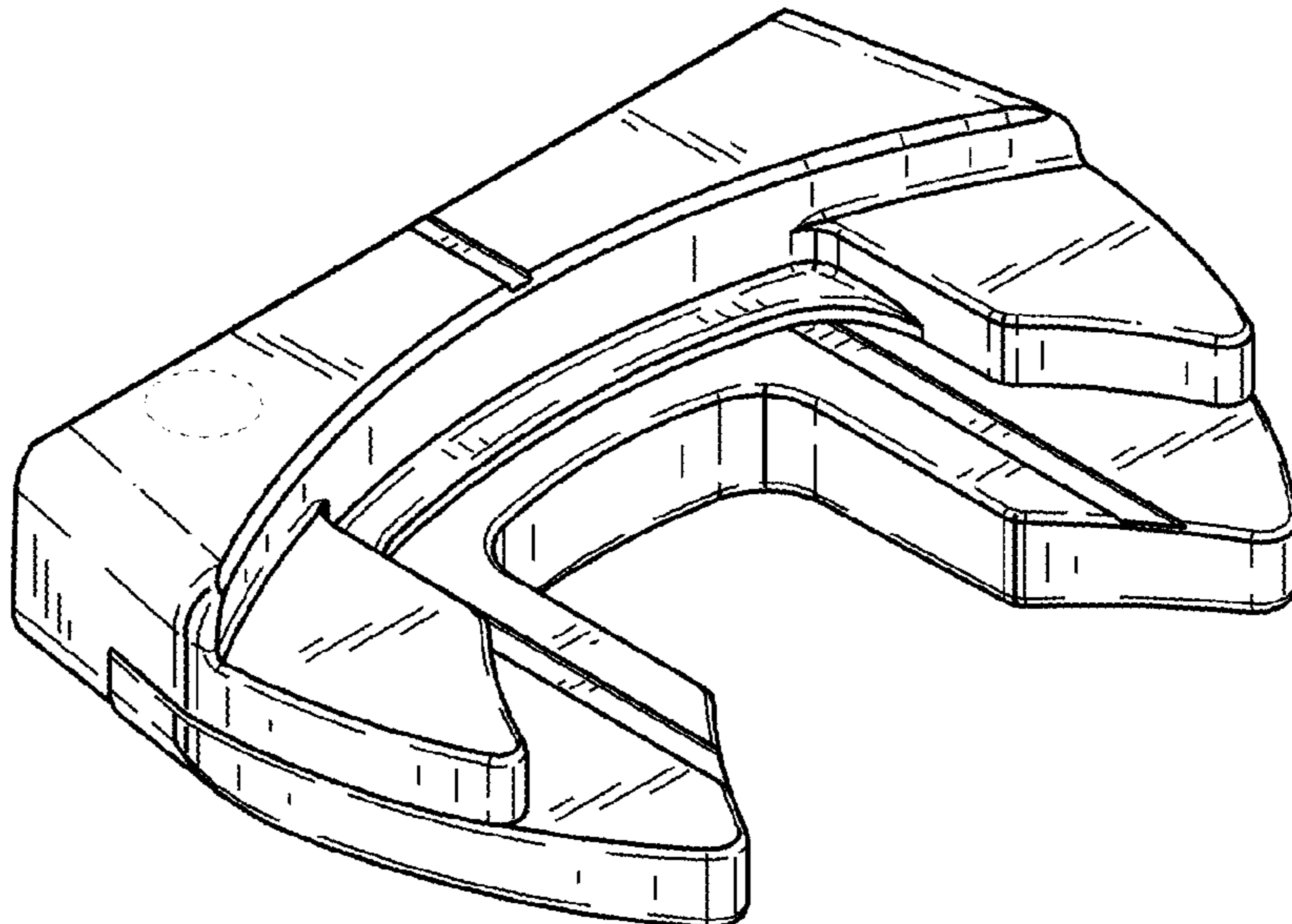
(57) **CLAIM**

The ornamental design for a putter head, as shown and described.

**DESCRIPTION**

FIG. 1 is a perspective view of the putter head;  
FIG. 2 is a top view of the putter head;  
FIG. 3 is a bottom view of the putter head;  
FIG. 4 is a side view of the putter head;  
FIG. 5 is a rear view of the putter head; and,  
FIG. 6 is a front view of the putter head.  
The broken lines showing in the figures are included for the purpose of illustrating portions of the putter head that form no part of the claimed design. The dash-dot lines showing in the figures are included for defining the bounds of the claimed design that form no part thereof.

**1 Claim, 3 Drawing Sheets**



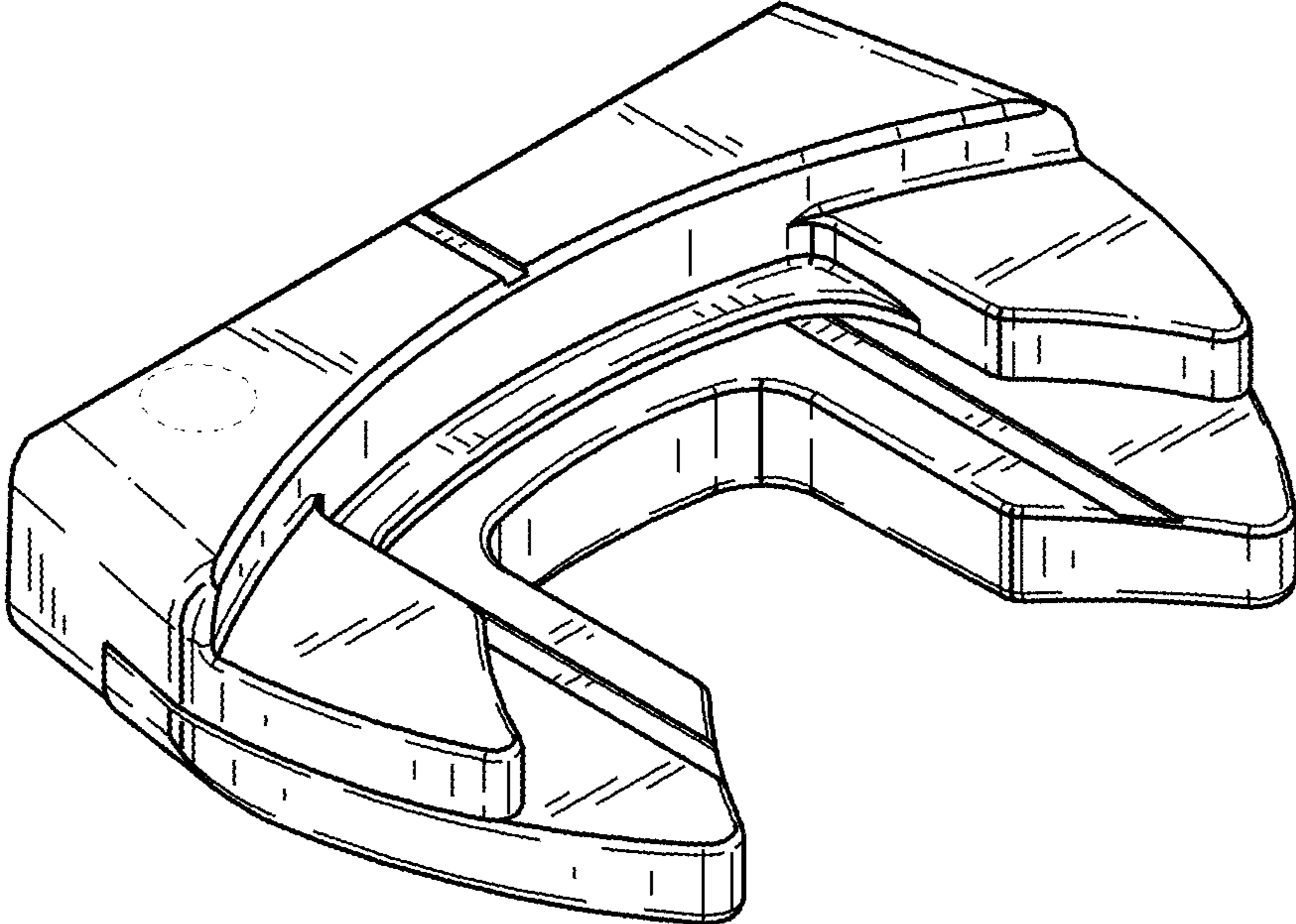


FIG. 1

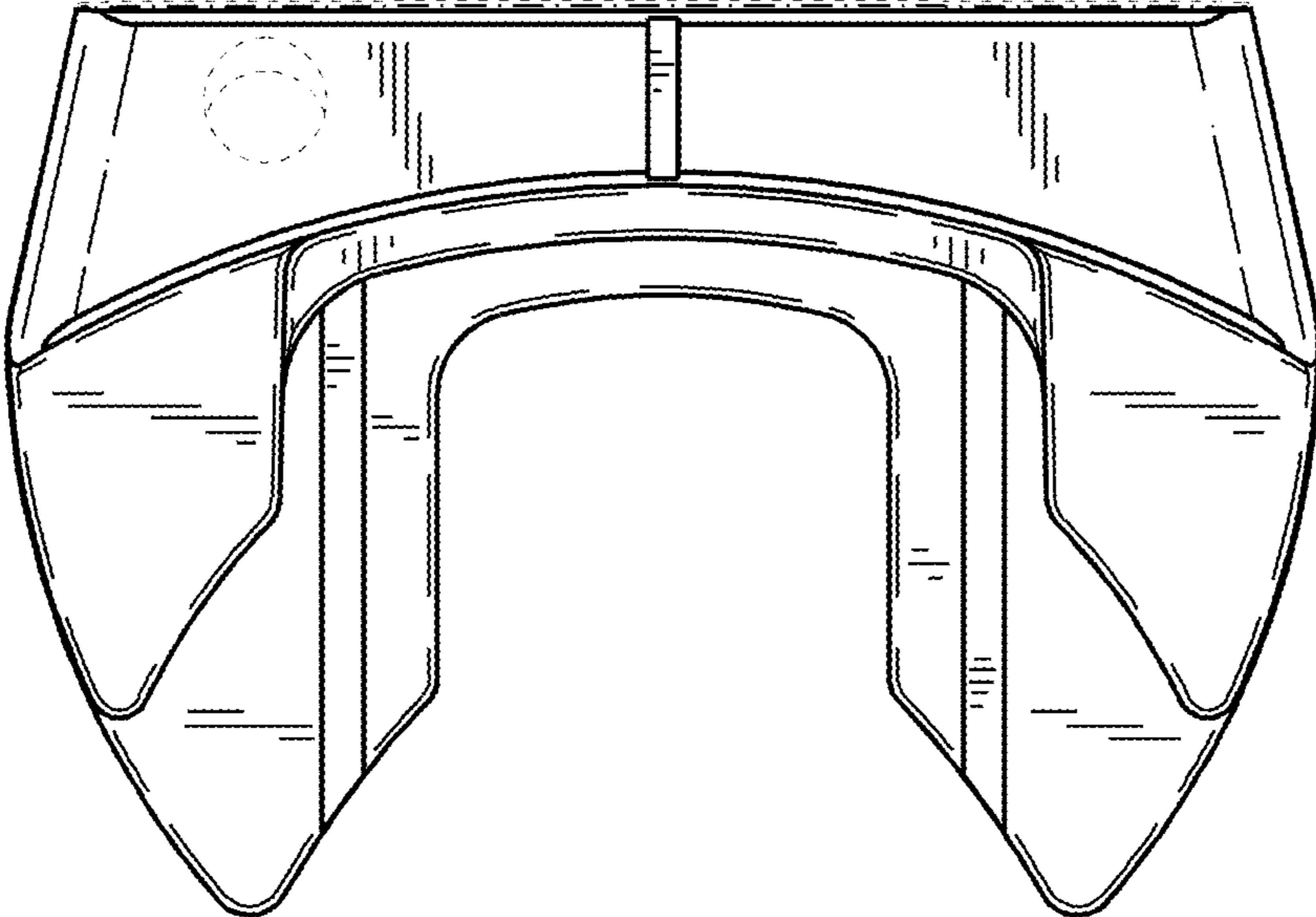


FIG. 2

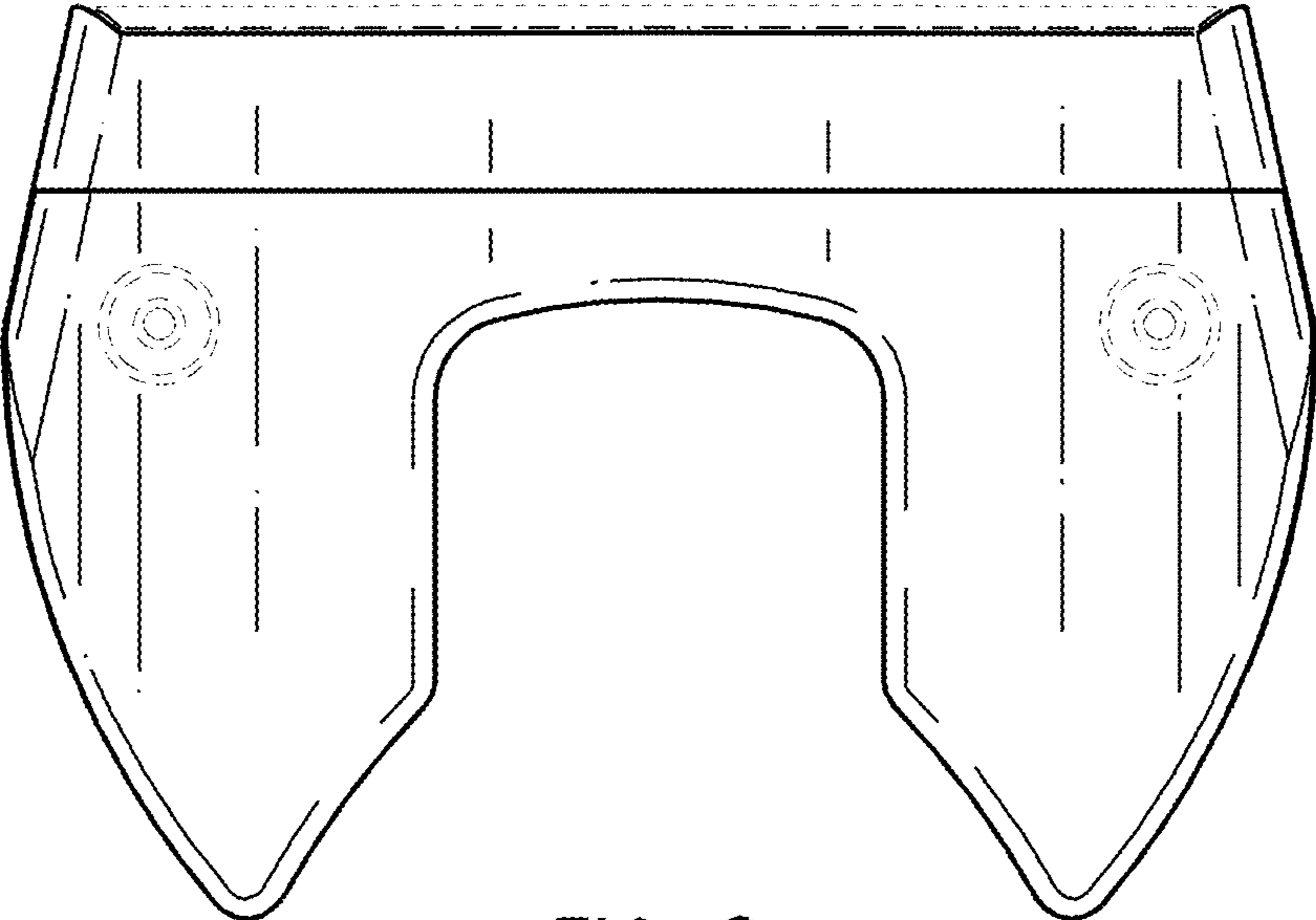


FIG. 3

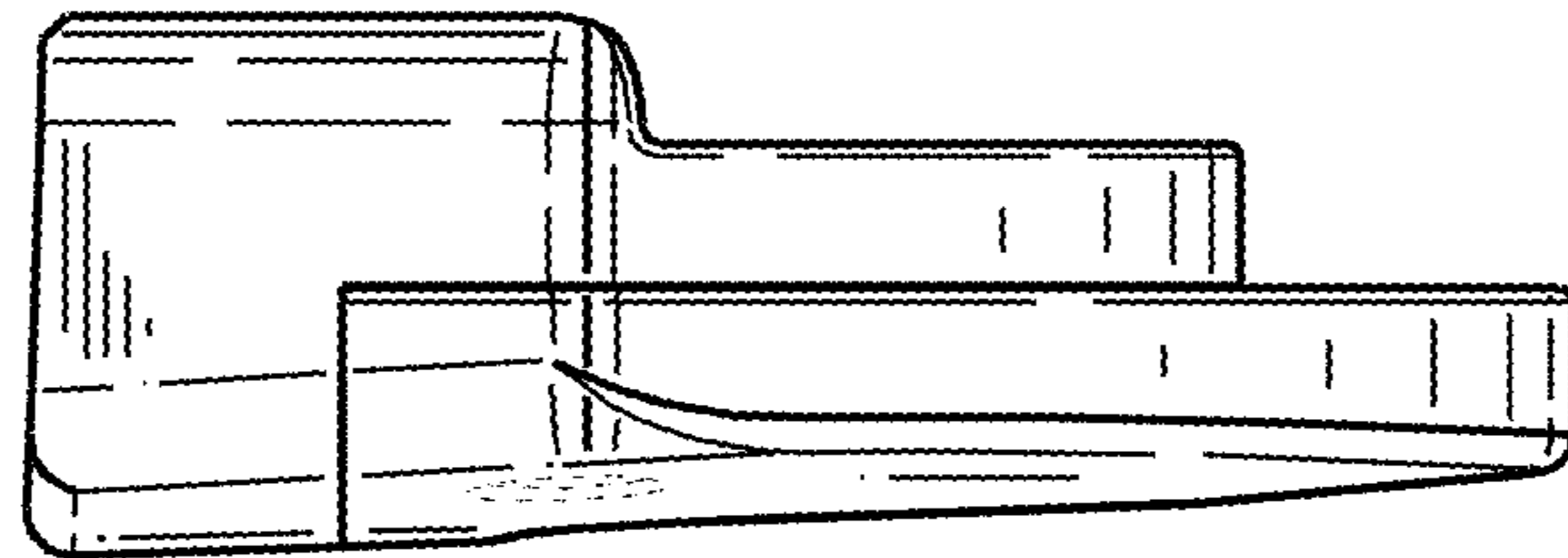


FIG. 4

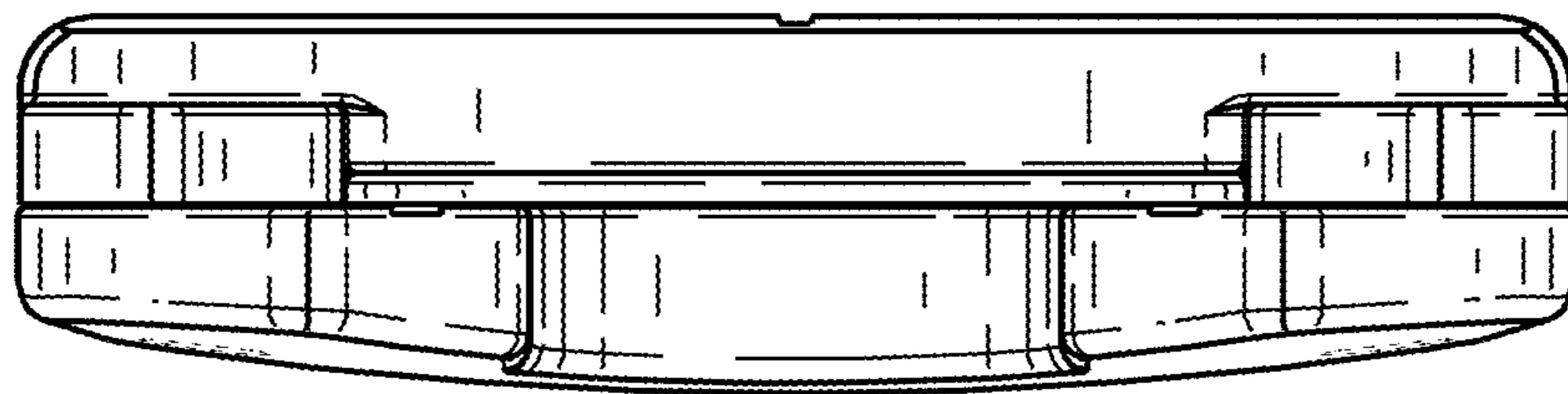


FIG. 5

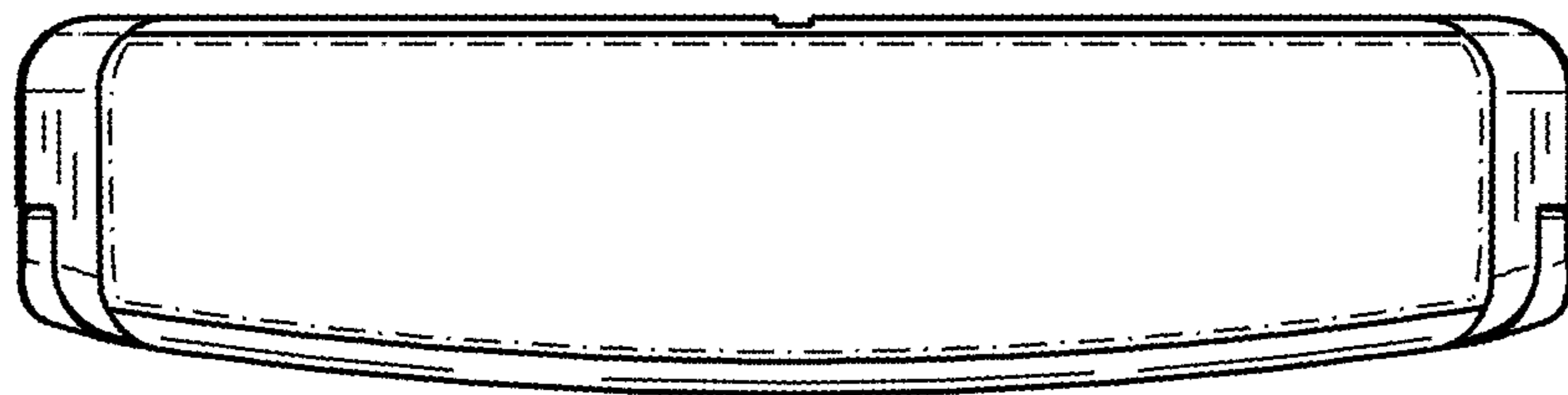


FIG. 6