



US00D771207S

(12) **United States Design Patent**  
**Nelson et al.**

(10) **Patent No.:** **US D771,207 S**  
(45) **Date of Patent:** **\*\* Nov. 8, 2016**

(54) **COLLAPSIBLE GOLF TEE**

(71) Applicants: **Steven C. Nelson**, West Hills, CA (US);  
**Thomas C. Nelson**, Simi Valley, CA (US)

(72) Inventors: **Steven C. Nelson**, West Hills, CA (US);  
**Thomas C. Nelson**, Simi Valley, CA (US)

(\*\*) Term: **14 Years**

(21) Appl. No.: **29/516,433**

(22) Filed: **Feb. 2, 2015**

(51) **LOC (10) Cl.** ..... **21-02**

(52) **U.S. Cl.**  
USPC ..... **D21/718**

(58) **Field of Classification Search**  
USPC ..... D21/715-721, 789-796  
CPC ..... A63B 57/0012; A63B 57/0032; A63B 57/10; A63B 57/12; A63B 57/13; A63B 57/15; A63B 57/16; A63B 57/18; A63B 57/19; A63B 57/20; A63B 57/203; A63B 57/207; A63B 57/30; A63B 57/35; A63B 57/353; A63B 69/3661  
See application file for complete search history.

(56) **References Cited**

**U.S. PATENT DOCUMENTS**

3,467,390	A *	9/1969	Gardiner	.....	A63B 57/10 473/268
3,559,998	A *	2/1971	Kelly	.....	A63B 57/10 273/DIG. 4
4,893,818	A *	1/1990	Liccardello	.....	A63B 57/207 473/396
D348,963	S *	7/1994	Hammel	.....	D21/795
6,186,907	B1 *	2/2001	Woodward	.....	A63B 57/10 473/398
D468,379	S *	1/2003	Gan	.....	D21/717
D505,473	S *	5/2005	Foley	.....	D21/793
7,066,844	B1 *	6/2006	Noggle	.....	A63B 57/10 473/387
7,691,011	B1 *	4/2010	Roman	.....	A63B 57/10 473/387
9,004,283	B1 *	4/2015	Lozano	.....	A45C 13/02 206/315.1

(Continued)

**FOREIGN PATENT DOCUMENTS**

BE 1008205 A3 \* 2/1996 ..... A63B 57/10  
DE 202006013631 U1 \* 11/2006 ..... A63B 57/10

(Continued)

*Primary Examiner* — Catherine Tuttle

(74) *Attorney, Agent, or Firm* — Albert O. Cota

(57) **CLAIM**

The ornamental design for a collapsible golf tee, as shown and described.

**DESCRIPTION**

FIG. 1 is a side elevational view showing our new design for a collapsible golf tee in its environment and with its upper and lower parts in a separate state;

FIG. 2 is a front elevational view thereof, the rear and side elevational views being the same. The figure shows the upper part having a lower edge from where extends a protrusion, and the lower part with an upper edge having a protrusion cavity;

FIG. 3 is a front elevational view showing the design in its assembled state;

FIG. 4 is a top plan view thereof;

FIG. 5 is a bottom plan view thereof;

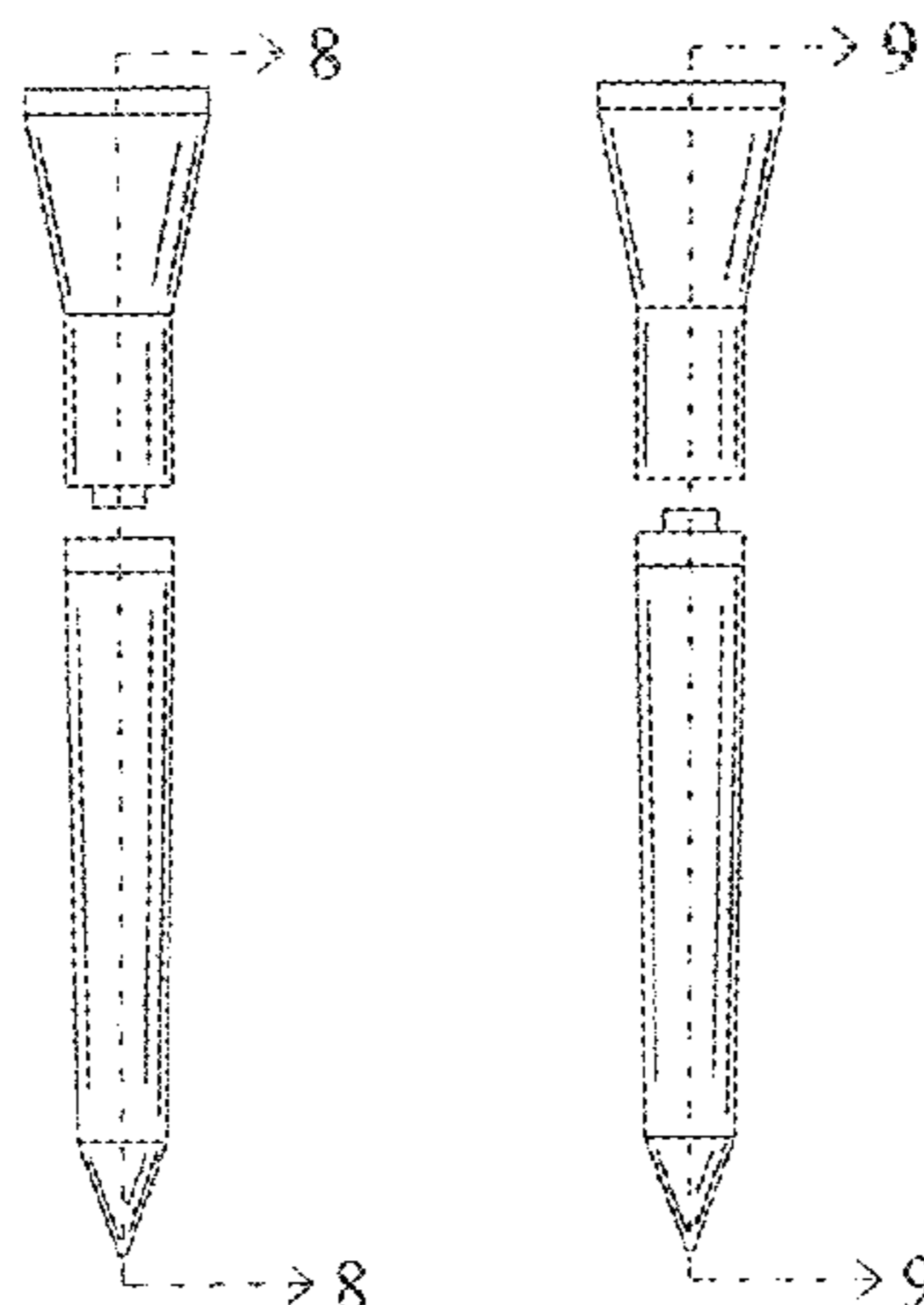
FIG. 6 is an elevational side view of a second embodiment of said collapsible golf tee. The figure shows the lower part having an upper edge from when extends a protrusion, and the upper part with a lower edge having a protrusion cavity, FIG. 7 is a rear elevational view showing the design of a second embodiment in its assembled state.

FIG. 8 is a view showing the profile of the design along line 8-8 of FIG. 2; and,

FIG. 9 is a view showing the profile of the design along line 9-9 of FIG. 6.

The broken lines showing the golf club, golf ball and ground in FIG. 1 are included for the purpose of illustrating environmental elements that form no part of the claimed design. The appearance within the upper rim forms no part of the claimed design.

**1 Claim, 4 Drawing Sheets**



(56)

References Cited

U.S. PATENT DOCUMENTS

D731,602 S \* 6/2015 Nelson ..... D21/718  
2005/0049085 A1\* 3/2005 Cumisky ..... A63B 57/0037  
473/386  
2005/0059512 A1\* 3/2005 Chang ..... A63B 57/10  
473/401  
2006/0105860 A1\* 5/2006 Lu ..... A63B 57/10  
473/387  
2006/0105861 A1\* 5/2006 Yang ..... A63B 57/10  
473/396  
2006/0264272 A1\* 11/2006 Calderon ..... A63B 57/10  
473/387  
2008/0119305 A1\* 5/2008 Wong ..... A63B 57/10  
473/396  
2008/0207355 A1\* 8/2008 Wong ..... A63B 57/10  
473/396

2008/0274836 A1\* 11/2008 Lee ..... A63B 57/10  
473/391  
2011/0256963 A1\* 10/2011 Goodwin, III ..... A63B 57/10  
473/387  
2013/0310200 A1\* 11/2013 Nelson ..... A63B 57/10  
473/401  
2014/0323247 A1\* 10/2014 Sinanis ..... A63B 57/0037  
473/396  
2015/0182827 A1\* 7/2015 Jackson ..... A63B 57/0018  
473/396

FOREIGN PATENT DOCUMENTS

GB 2080121 A \* 2/1982 ..... A63B 57/10  
WO WO 2006121244 A1 \* 11/2006 ..... A63B 57/12  
WO WO 2008092172 A1 \* 7/2008 ..... A63B 57/10  
WO WO 2010093148 A2 \* 8/2010 ..... A63B 57/10

\* cited by examiner

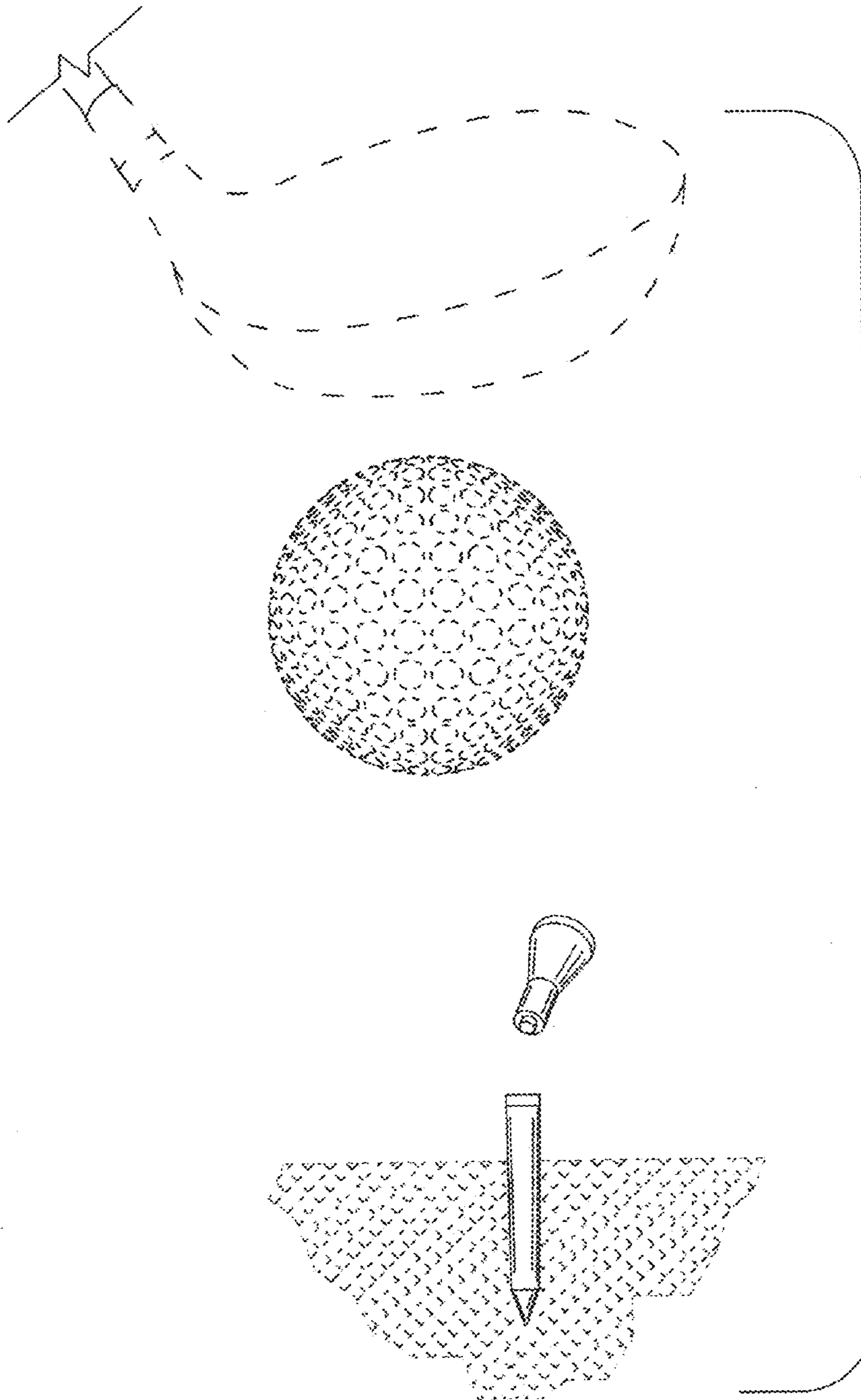


FIG. 1

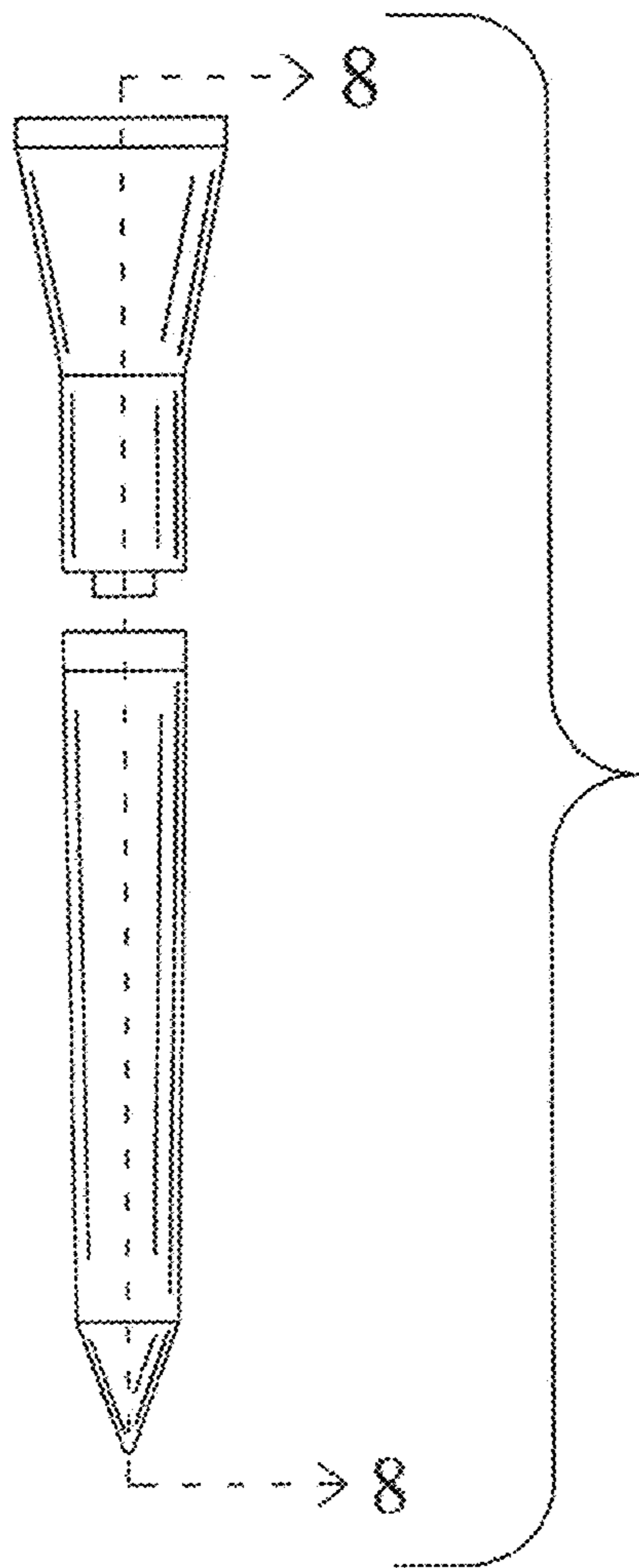


FIG.2

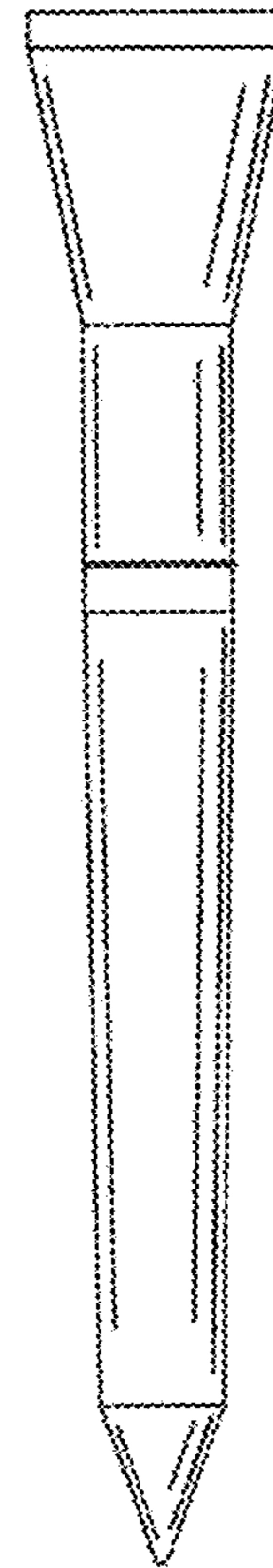


FIG.3

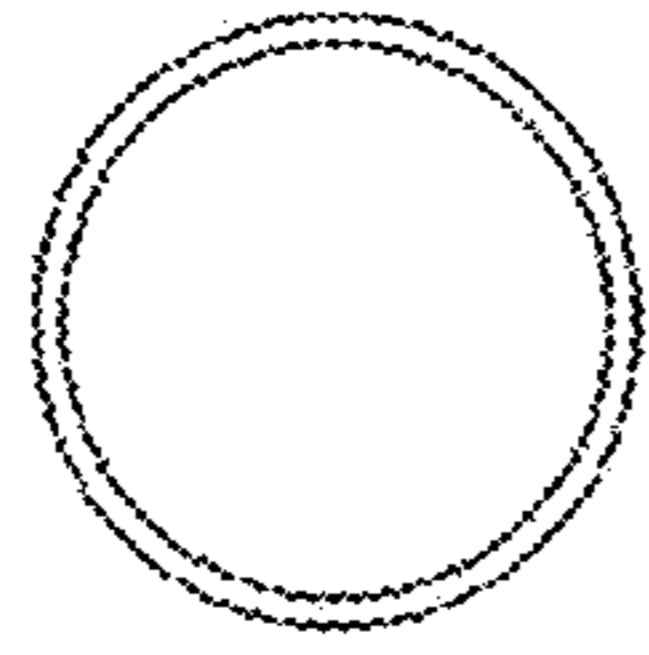


FIG. 4

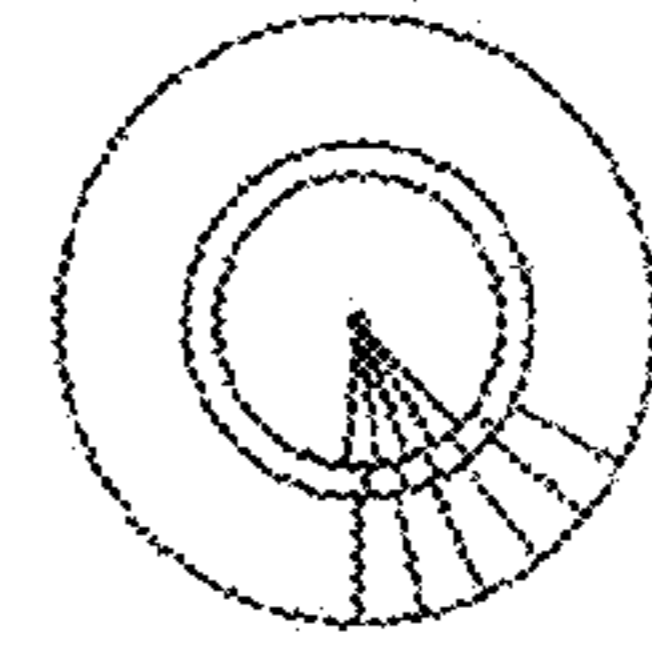


FIG. 5

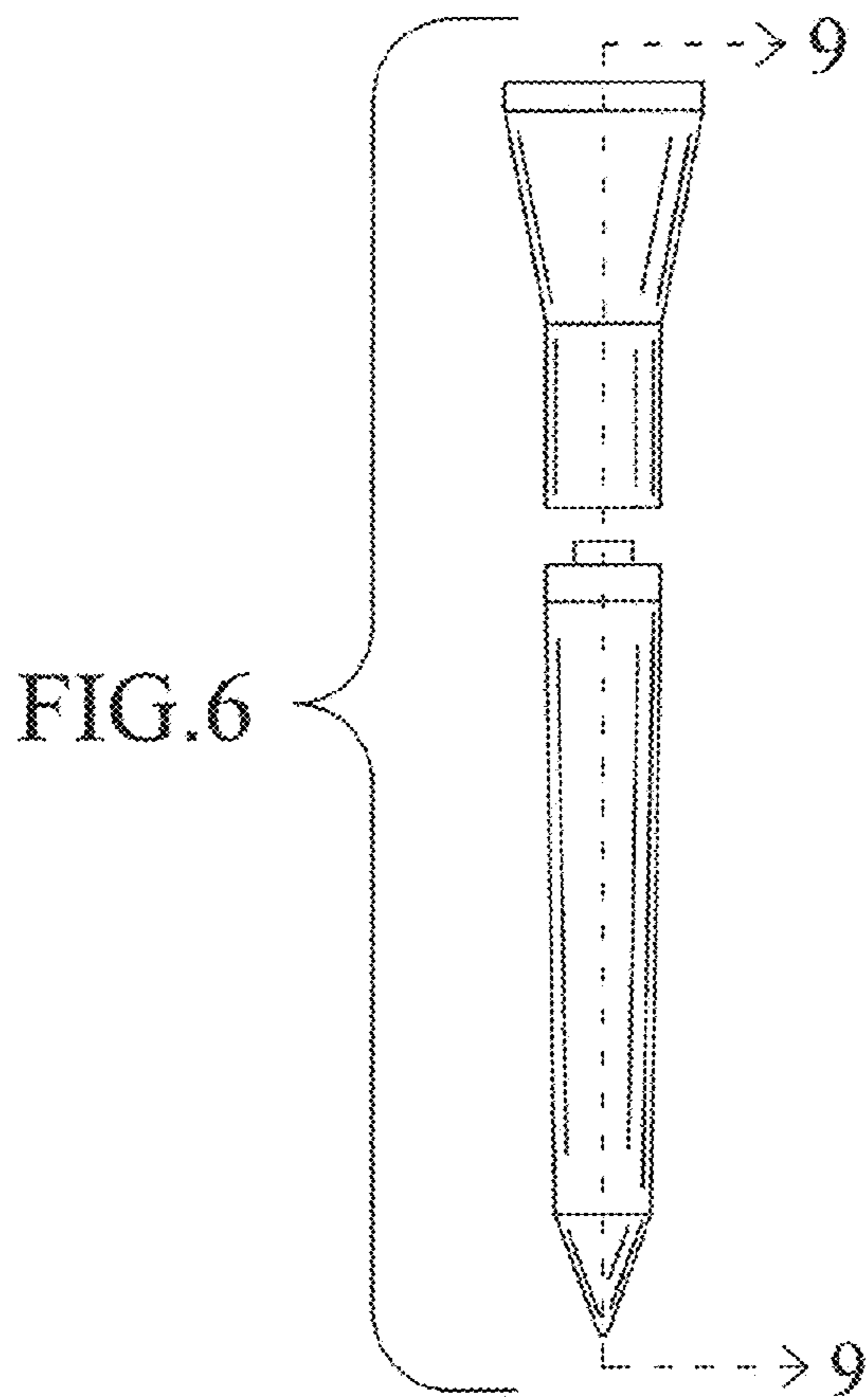
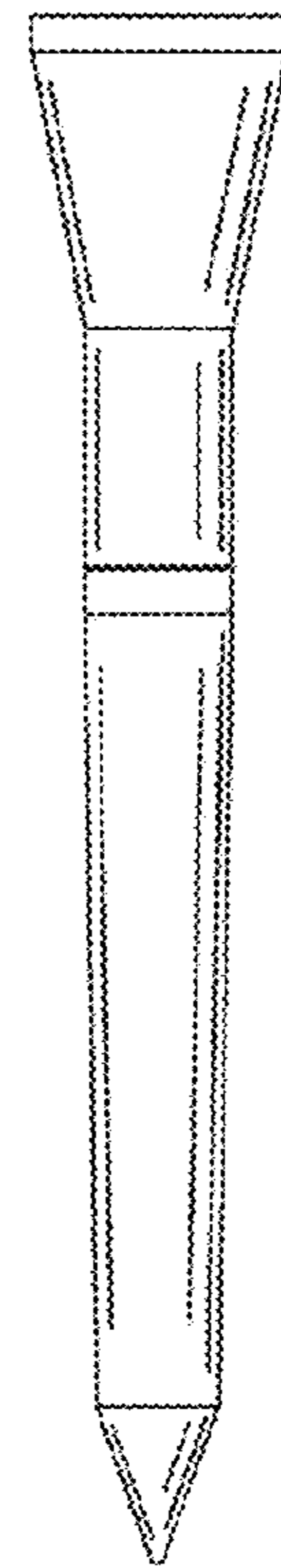


FIG. 6

FIG. 7



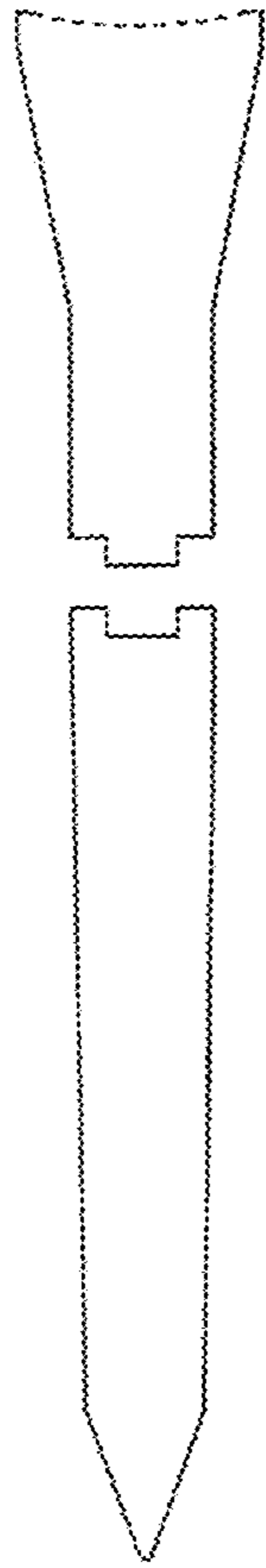


FIG. 8

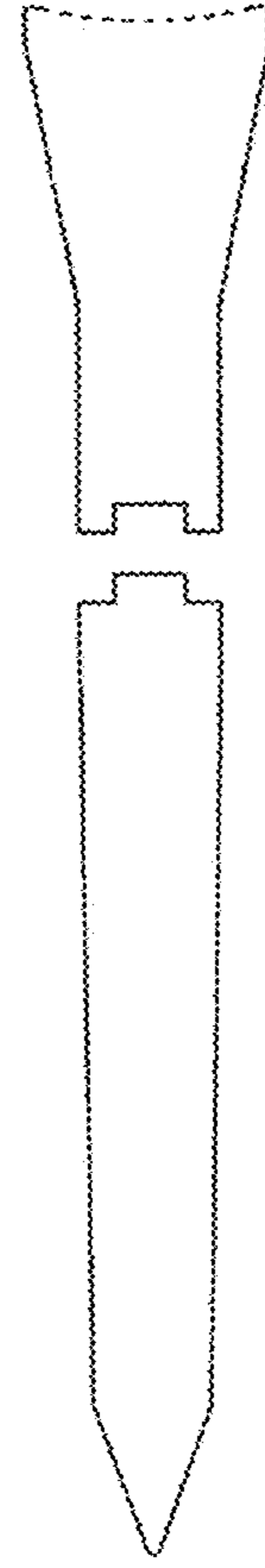


FIG. 9