



US00D771205S

(12) **United States Design Patent**
Davies, III

(10) **Patent No.:** **US D771,205 S**
(45) **Date of Patent:** **** Nov. 8, 2016**

(54) **OCTAGON WEIGHT**

(71) Applicant: **David Robert Davies, III**, North
Chesterfield, VA (US)

(72) Inventor: **David Robert Davies, III**, North
Chesterfield, VA (US)

(73) Assignee: **Atlas Barbell, LLC**, North
Chesterfield, VA (US)

(**) Term: **15 Years**

(21) Appl. No.: **29/527,020**

(22) Filed: **May 14, 2015**

Related U.S. Application Data

(62) Division of application No. 29/464,102, filed on Aug.
13, 2013, now Pat. No. Des. 732,613.

(51) **LOC (10) Cl.** **21-02**

(52) **U.S. Cl.**
USPC **D21/680**

(58) **Field of Classification Search**
USPC D21/680, 681; D9/668; D25/45
CPC A63B 21/075; A63B 21/0728; A63B
21/0726; A63B 21/00065; A63B 2071/0063
See application file for complete search history.

(56) **References Cited**

U.S. PATENT DOCUMENTS

D283,547 S *	4/1986	Ghizzi	D25/45
D409,266 S *	5/1999	Rojas	D21/680
6,132,344 A	10/2000	Vanderbleek		
D456,705 S	5/2002	Vijn		
D474,522 S	5/2003	Monroe		
7,001,310 B1	2/2006	Brice		
D520,621 S *	5/2006	Moser, III	D23/365
D624,614 S *	9/2010	Lien	D21/681

D650,289 S	12/2011	Bisiljevac et al.		
D692,969 S *	11/2013	Davies, III	D21/680
D692,970 S *	11/2013	Lien	D21/681
D708,479 S	7/2014	Kramer		
D708,480 S	7/2014	Kramer		
D710,241 S	8/2014	Vaughan et al.		
D731,009 S *	6/2015	Preston	D21/681
D732,613 S *	6/2015	Davies, III	D21/680
D732,614 S *	6/2015	Davies, III	D21/680
D736,868 S *	8/2015	Lien	D21/681
D737,825 S *	9/2015	Kumar	D14/433
2002/0107118 A1	8/2002	Shifferaw		
2002/0128127 A1	9/2002	Chen		
2014/0243168 A1 *	8/2014	Razzaq	A63B 21/0724 482/107

* cited by examiner

Primary Examiner — George D Kirschbaum

Assistant Examiner — Jennifer Watkins

(74) *Attorney, Agent, or Firm* — Whitham, Curtis &
Cook, P.C.

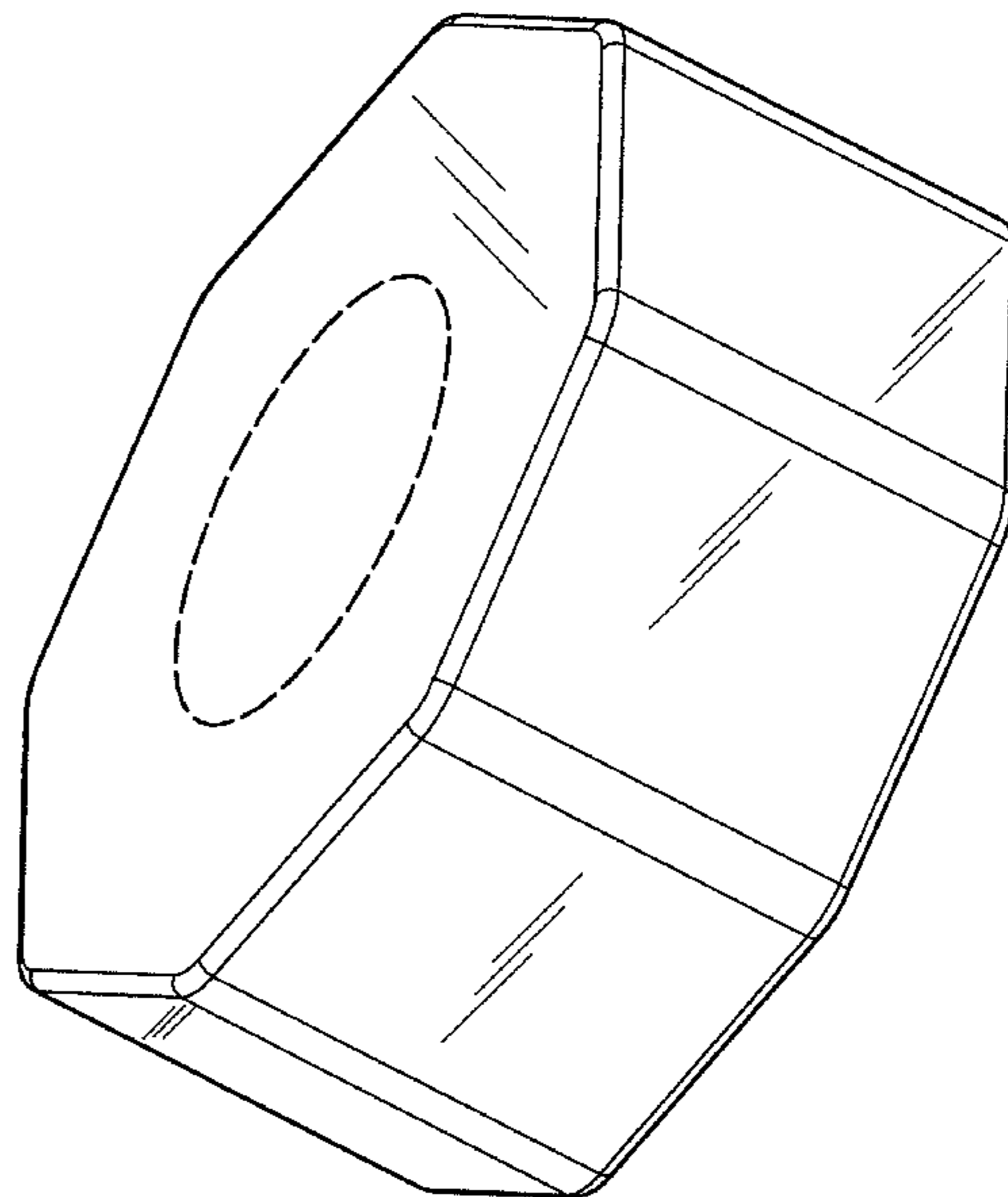
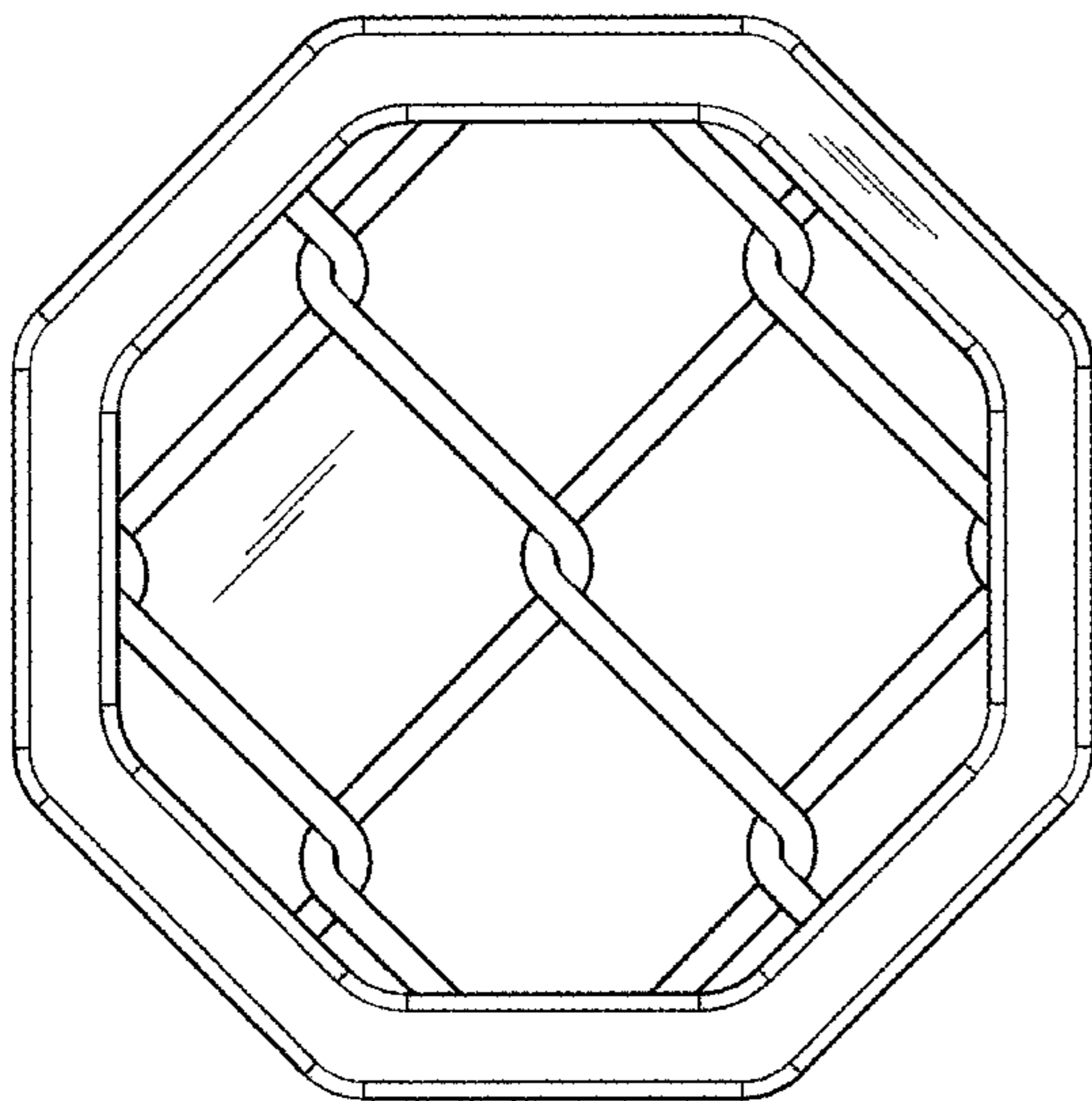
(57) **CLAIM**

I claim the ornamental design for octagon weight, as shown
and described.

DESCRIPTION

FIG. 1 is a front plan view of an octagon weight;
FIG. 2 is a rear plan view thereof;
FIG. 3 is a side elevational view of the octagon weight, all
eight sides being a mirror image thereof;
FIG. 4 is a rear side isometric view thereof;
FIG. 5 is a front isometric view thereof;
FIG. 6 is a front isometric view thereof; and,
FIG. 7 is an isometric view of two octagon weights shown
in a condition of use.
The broken lines in the drawings are for the purpose of
illustrating portions of the article that form no part of the
claim.

1 Claim, 7 Drawing Sheets



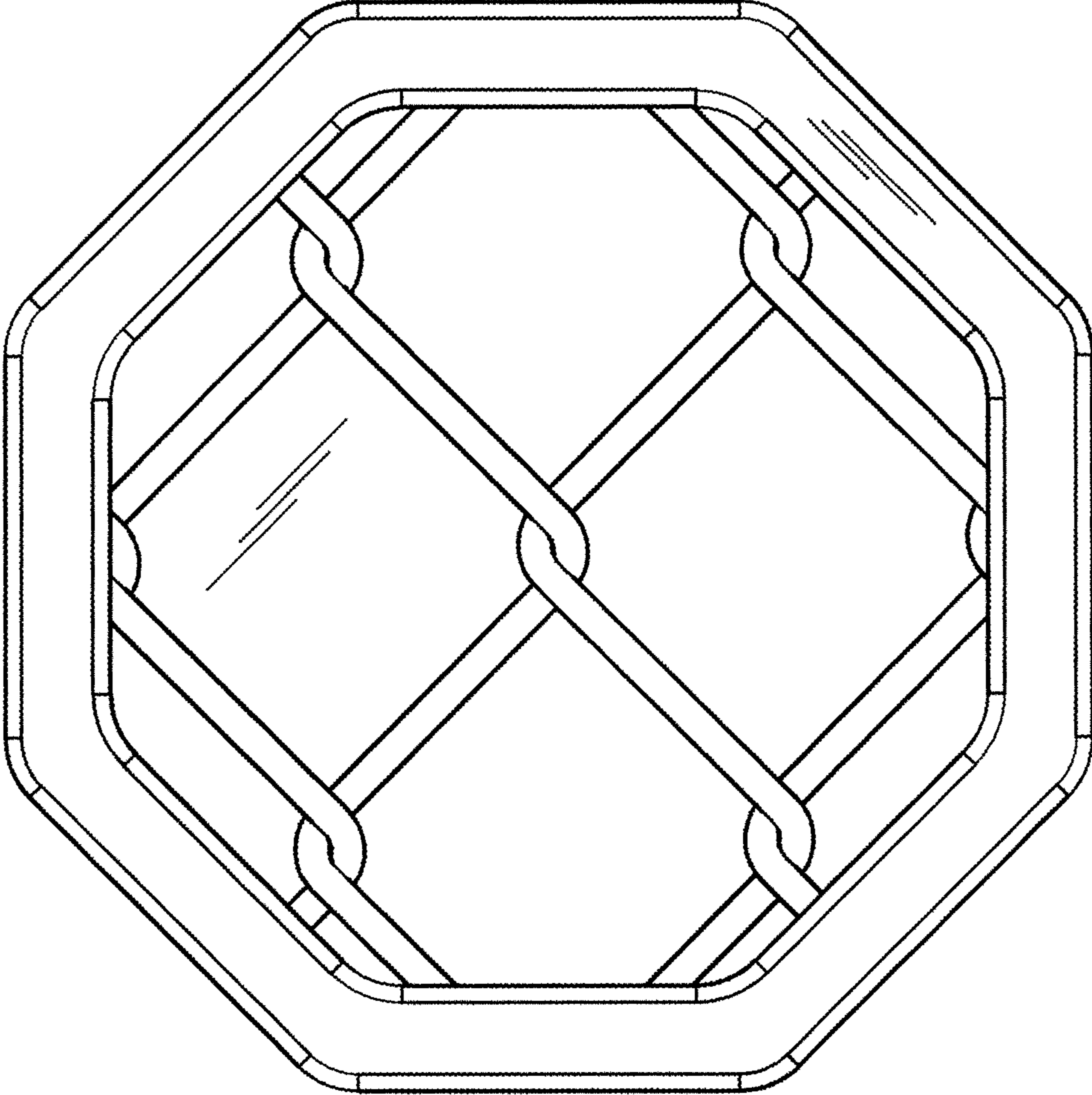


FIG. 1

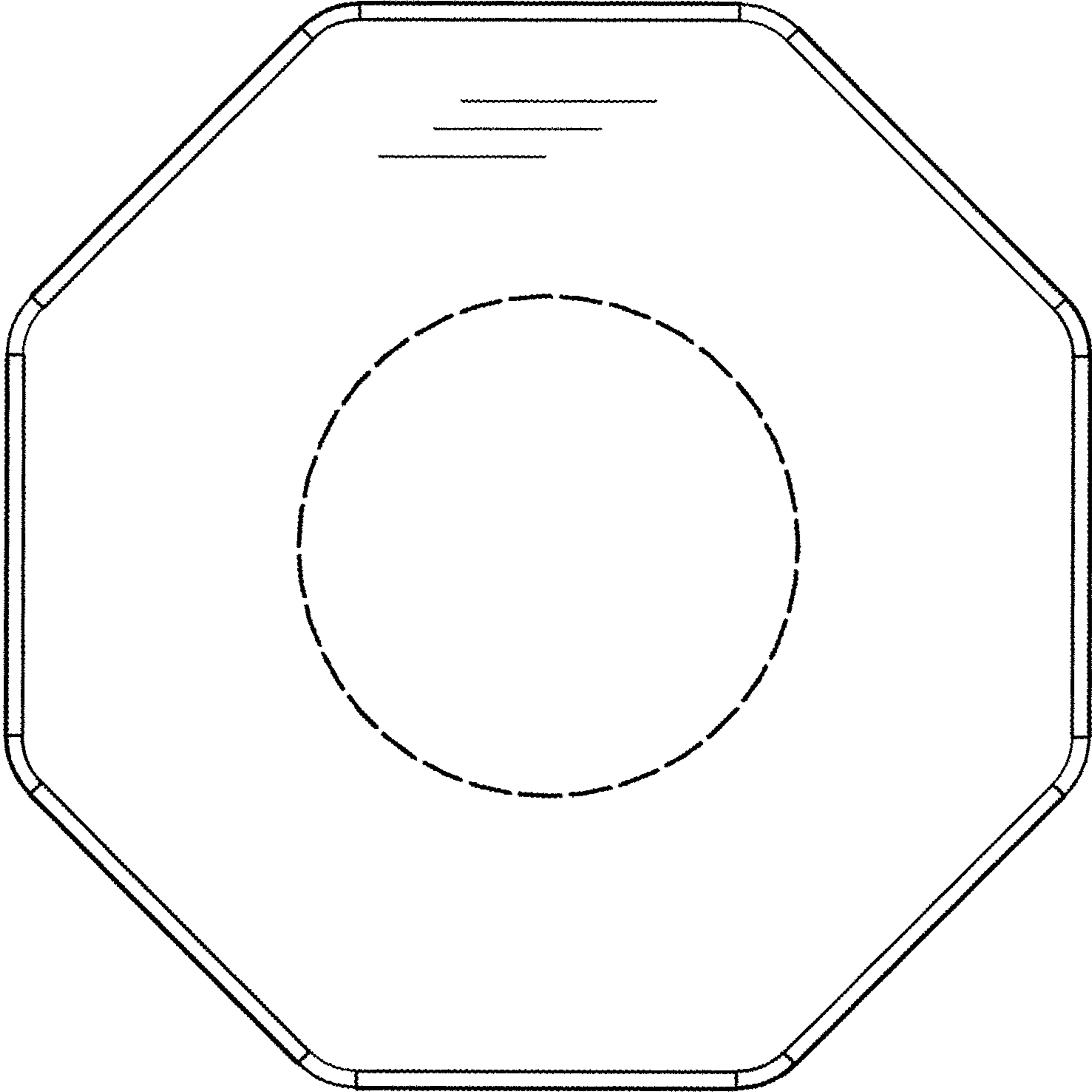


FIG. 2

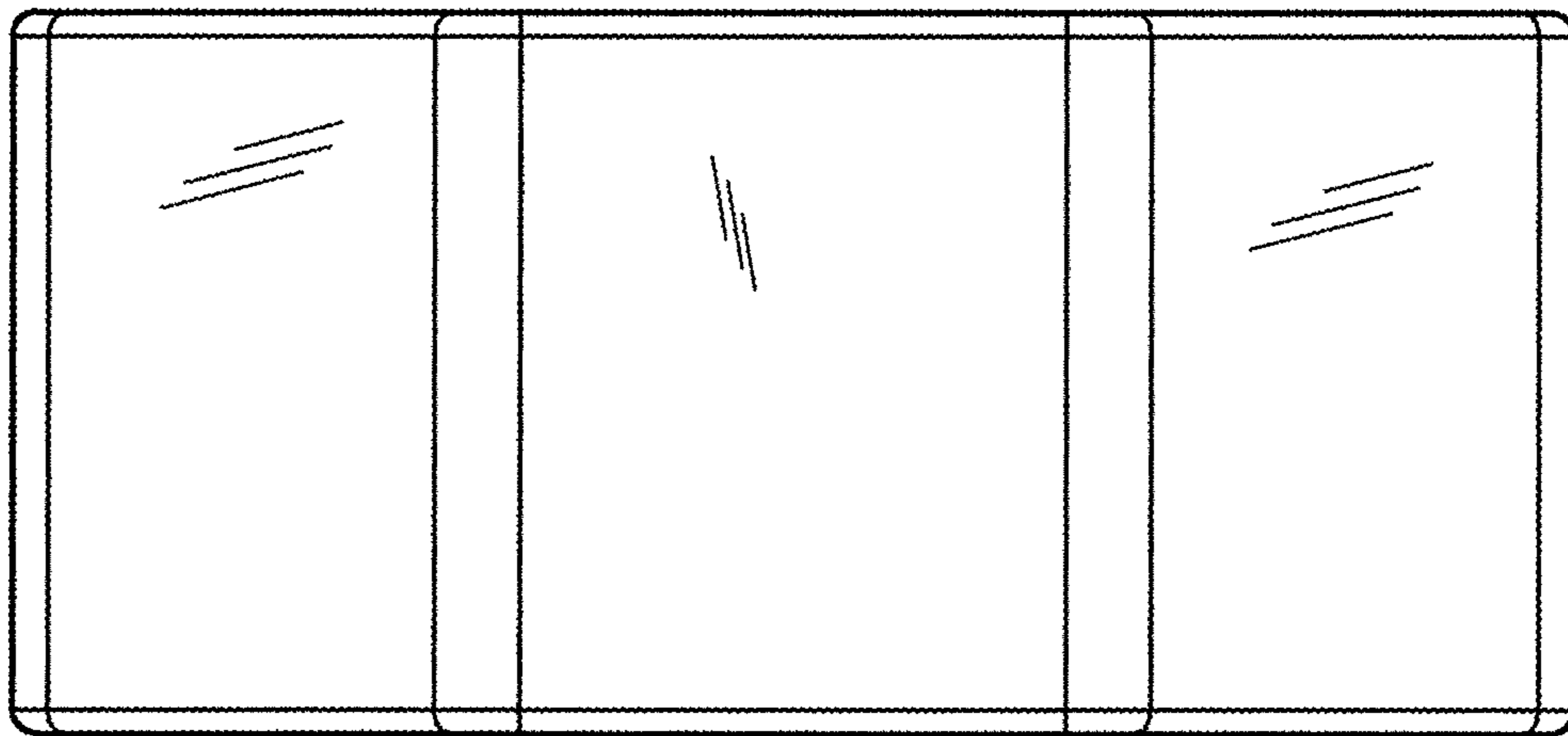


FIG. 3

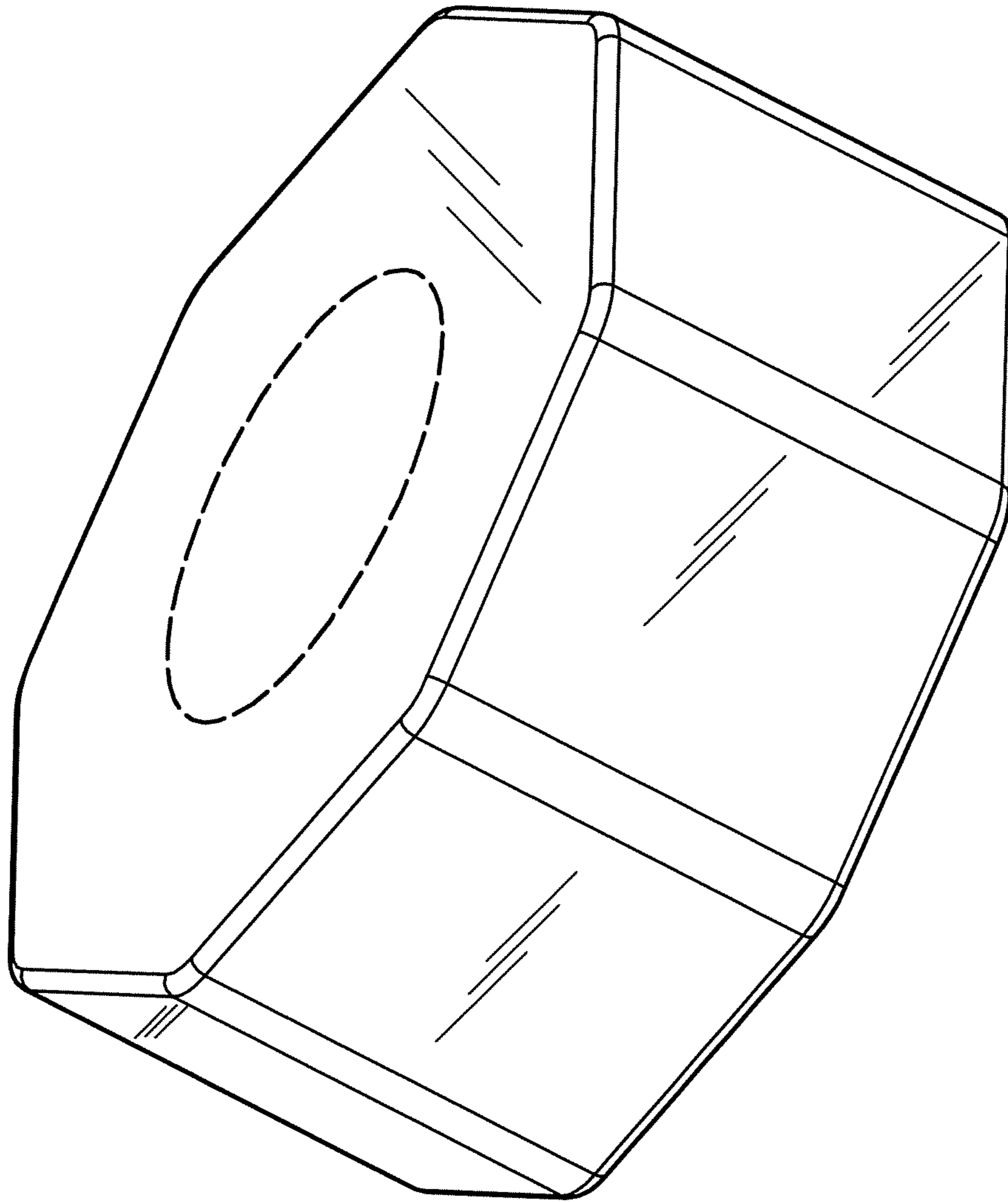


FIG. 4

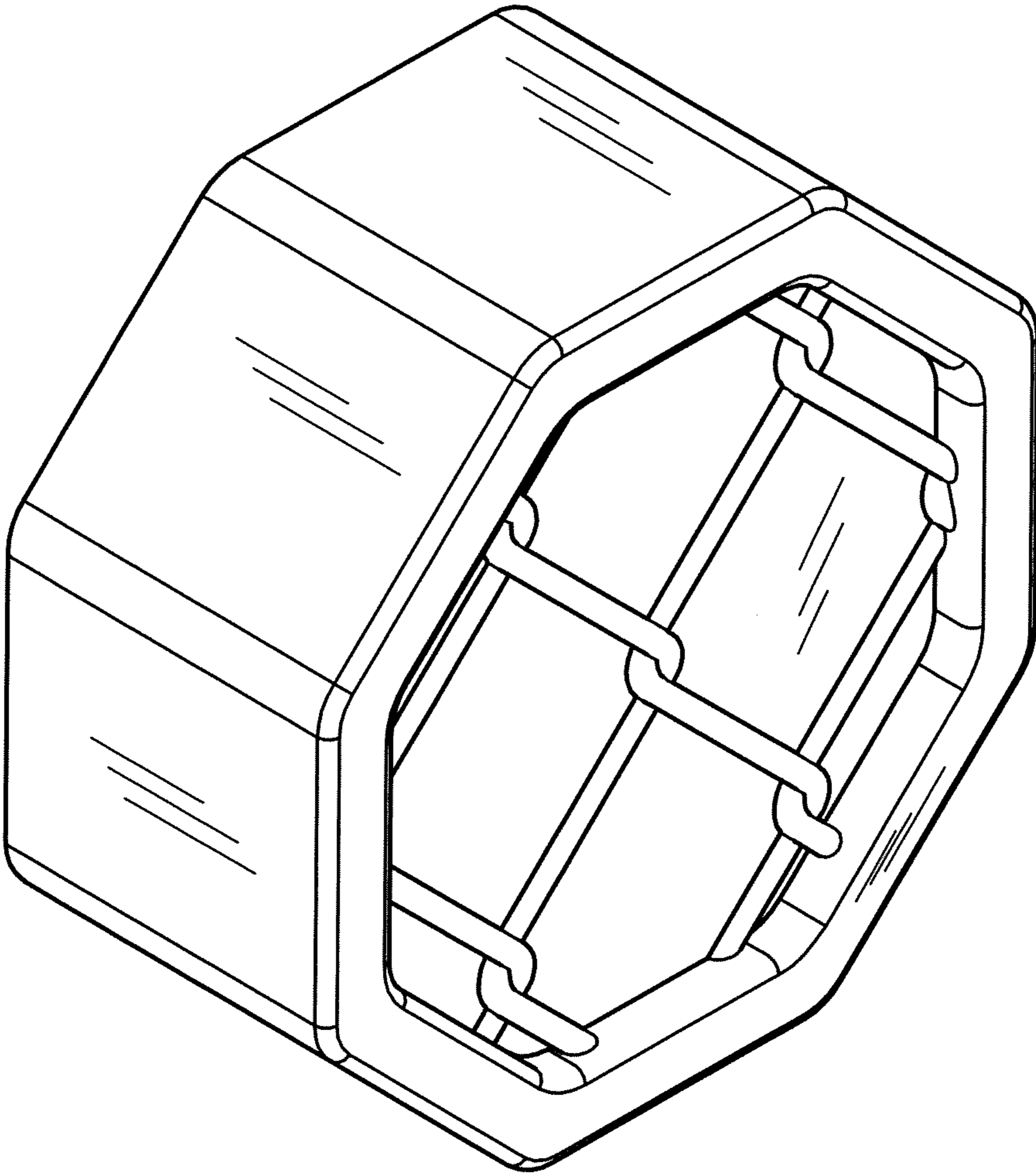


FIG. 5

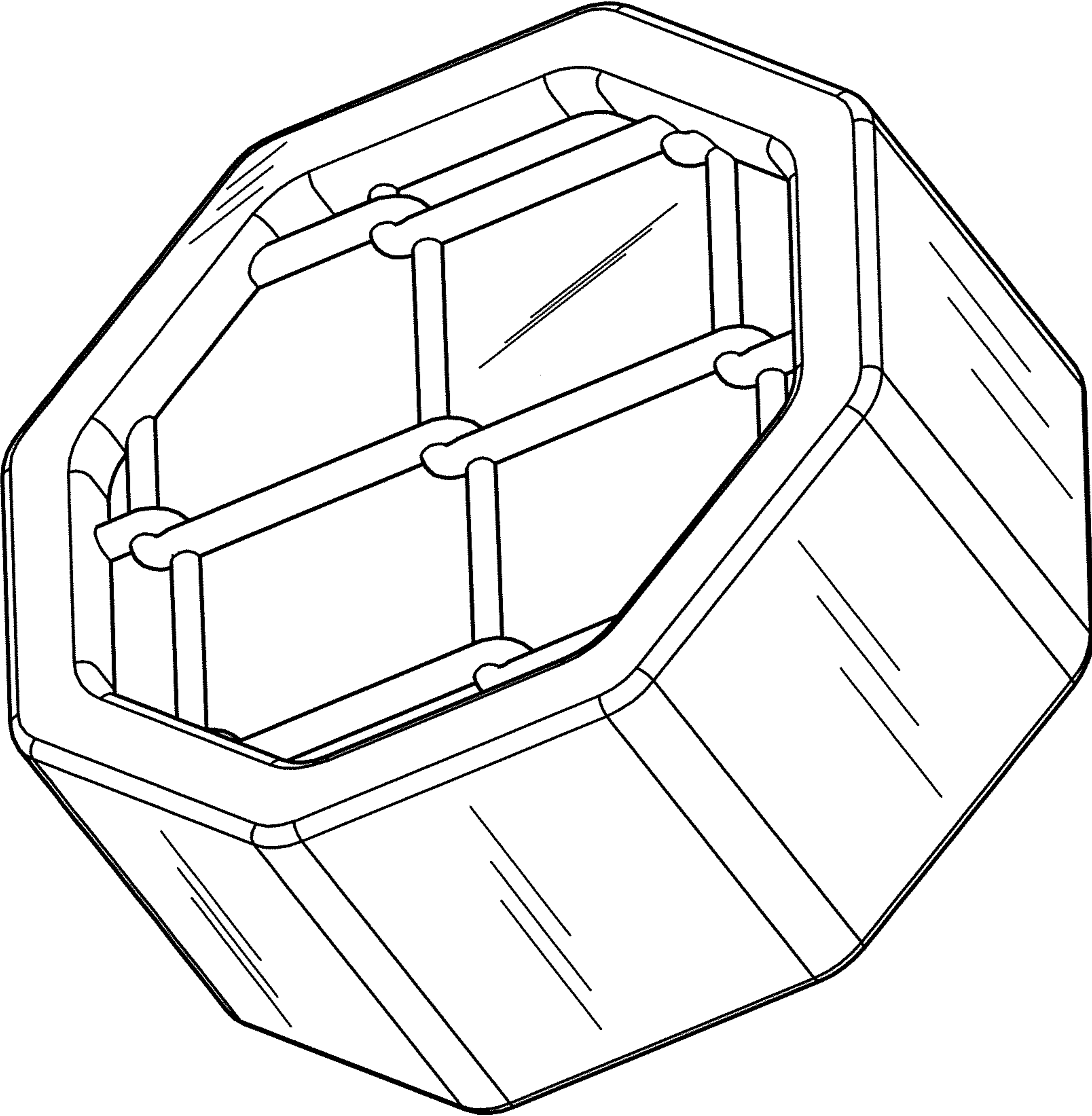


FIG. 6

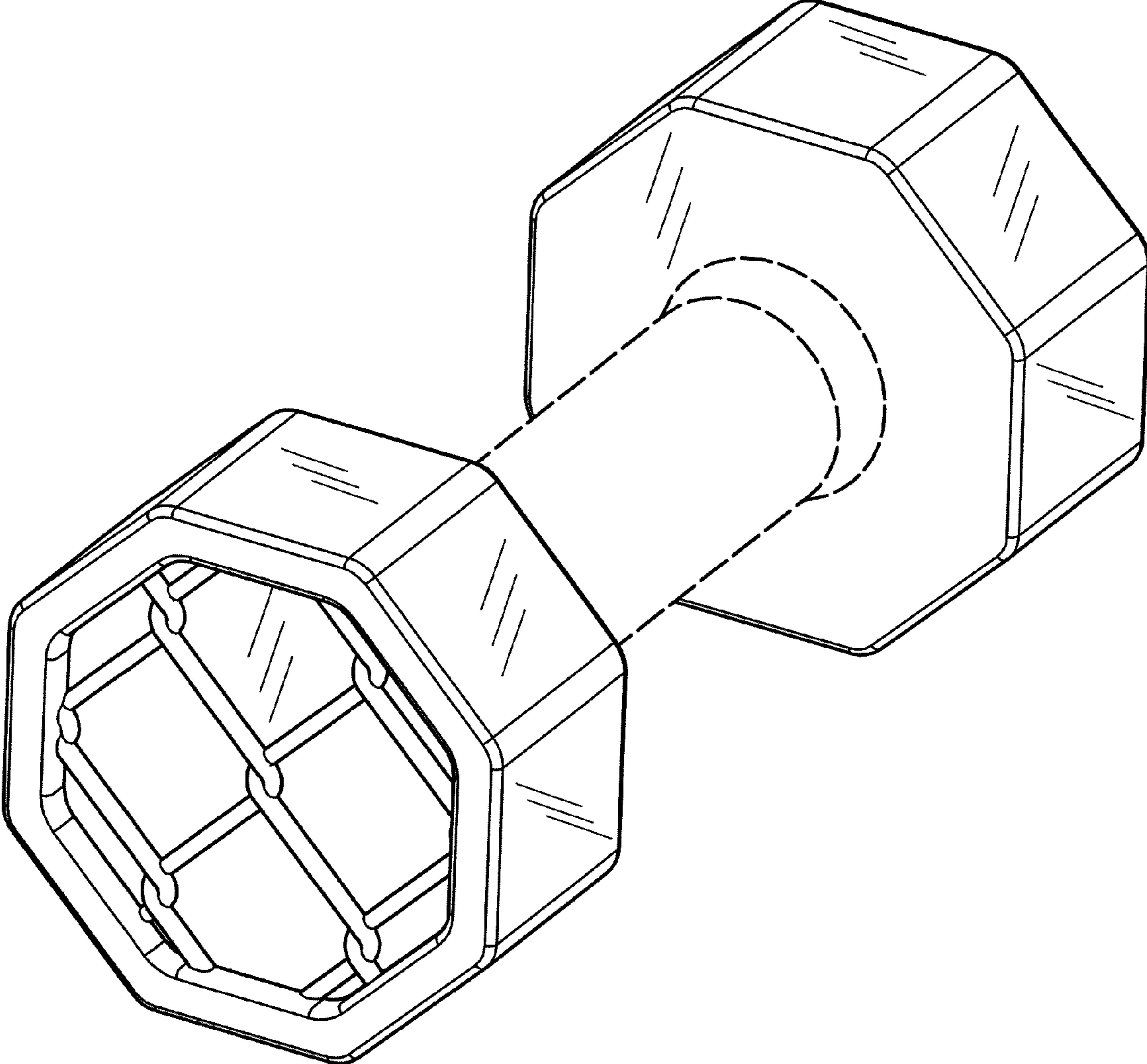


FIG. 7