



US00D771204S

(12) **United States Design Patent**  
**Ho et al.**

(10) **Patent No.:** **US D771,204 S**  
(45) **Date of Patent:** **\*\* Nov. 8, 2016**

- (54) **STEPPER EXERCISE DEVICE**
- (71) Applicants: **Wei-Teh Ho**, Taipei (TW); **Willy Wei Yu Ho**, Taipei (TW)
- (72) Inventors: **Wei-Teh Ho**, Taipei (TW); **Willy Wei Yu Ho**, Taipei (TW)
- (\*\*) Term: **15 Years**
- (21) Appl. No.: **29/545,065**
- (22) Filed: **Nov. 9, 2015**

**Related U.S. Application Data**

- (63) Continuation-in-part of application No. 29/537,263, filed on Aug. 24, 2015.
- (51) **LOC (10) Cl.** ..... **21-02**
- (52) **U.S. Cl.**  
USPC ..... **D21/668**
- (58) **Field of Classification Search**  
USPC ..... 482/142, 53, 79, 132, 147, 908, 49, 482/123, 129, 128, 127, 138, 112, 80, 146, 482/130, 118, 34, 126, 51; 601/32, 105, 601/148, 152, 27, 29, 46; D21/688, 668, D21/670, 697, 694, 685, 673, 671; 188/83; D24/188, 212, 215; D6/349, 351  
CPC ..... A63B 23/08; A63B 21/0552; A63B 21/4015; A63B 21/0442; A63B 21/0557; A63B 2208/0204  
See application file for complete search history.

**References Cited**

**U.S. PATENT DOCUMENTS**

- 4,159,111 A \* 6/1979 Lowth ..... A63B 22/0056 188/83
- 5,290,204 A \* 3/1994 Lee ..... A63B 22/0056 482/112
- 5,348,520 A \* 9/1994 Chang ..... A63B 21/0552 482/123
- 6,224,515 B1 \* 5/2001 Chen ..... A63B 22/0056 482/53
- 6,315,697 B1 \* 11/2001 Chen ..... A63B 22/0056 482/146

- 6,435,073 B1 \* 8/2002 Chen ..... A63B 21/0083 482/53
- D465,001 S \* 10/2002 Chiang-Chow ..... D21/668
- D466,567 S \* 12/2002 Chen ..... D21/668
- 6,709,367 B1 \* 3/2004 Liang ..... A63B 22/0058 482/146
- D496,700 S \* 9/2004 Chen ..... D21/668
- D498,506 S \* 11/2004 Yu ..... D21/668
- 6,830,539 B2 \* 12/2004 Chuang ..... A63B 23/0429 482/112
- 6,918,857 B2 \* 7/2005 Chen ..... A63B 22/0056 482/53
- D514,635 S \* 2/2006 Hsiao ..... D21/670
- D519,583 S \* 4/2006 Chen ..... D21/668
- 7,384,378 B2 \* 6/2008 Chen ..... A63B 22/0069 482/53
- 7,462,137 B2 \* 12/2008 Yang ..... A63B 22/001 482/53
- 7,465,255 B2 \* 12/2008 Chen ..... A63B 21/0087 482/53
- 7,530,927 B2 \* 5/2009 Chuang ..... A63B 21/0552 482/53

(Continued)

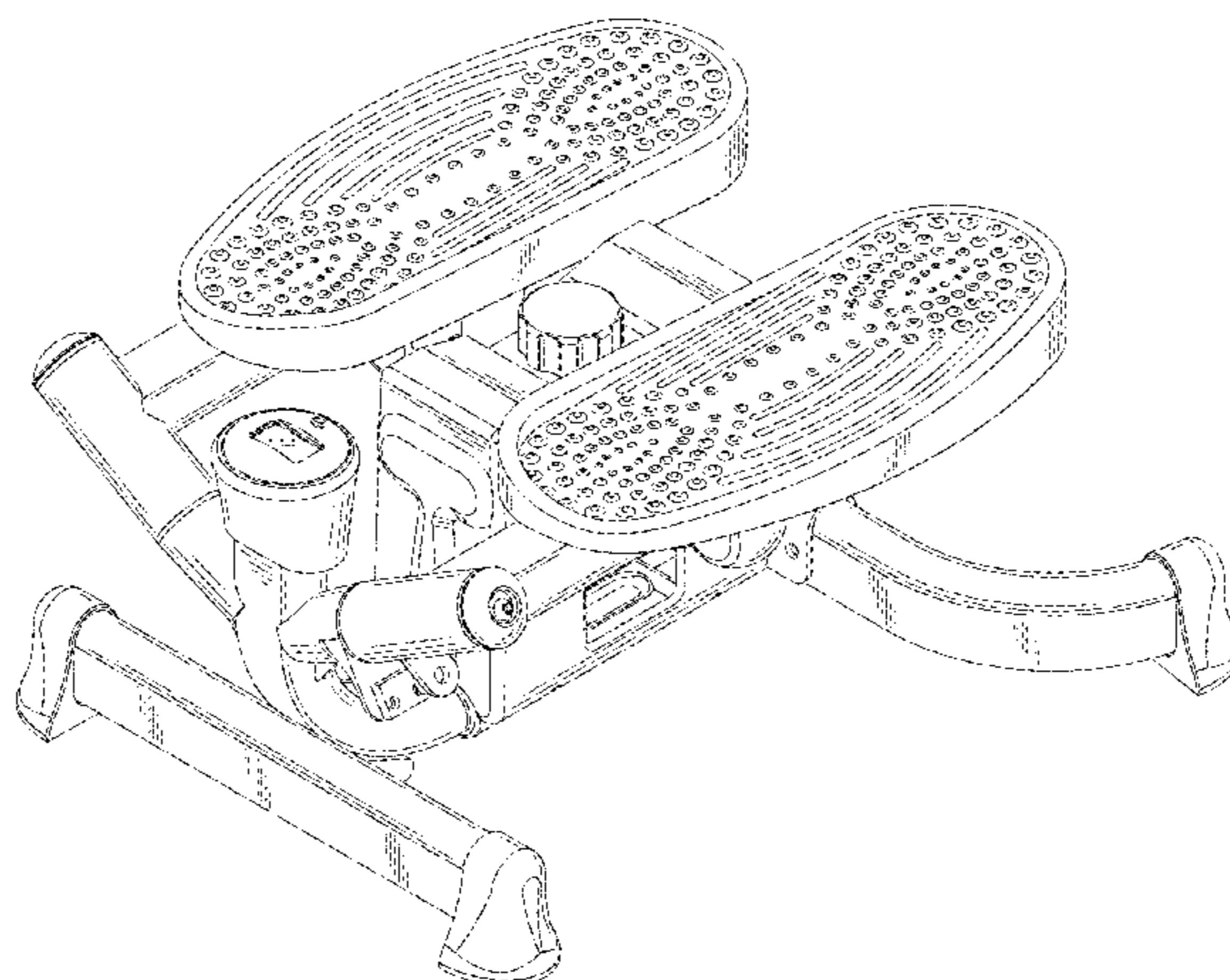
*Primary Examiner* — Robert M Spear  
*Assistant Examiner* — Ryan Harvey  
(74) *Attorney, Agent, or Firm* — Blakely, Sokoloff, Taylor & Zafman LLP

(57) **CLAIM**  
The ornamental design for a stepper exercise device, as shown and described.

**DESCRIPTION**

FIG. 1 is a perspective view of the new design for a stepper exercise device;  
FIG. 2 is a front view of the new design;  
FIG. 3 is a rear view of the new design;  
FIG. 4 is a right side view of the new design;  
FIG. 5 is a left side view of the new design;  
FIG. 6 is a top view of the new design; and,  
FIG. 7 is a bottom view of the new design.  
The broken line showing of portions of the stepper exercise device depicts environment and forms no part of the claim.

**1 Claim, 7 Drawing Sheets**



(56)

**References Cited**

U.S. PATENT DOCUMENTS

7,637,849 B2 *	12/2009	Chen	.....	A63B 22/0012	482/52	2005/0049116 A1 *	3/2005	Huang	.....	A63B 22/0064	482/51
7,878,948 B2 *	2/2011	Chen	.....	A63B 22/0012	482/52	2005/0070403 A1 *	3/2005	Yu	.....	A63B 21/0083	482/53
7,878,949 B2 *	2/2011	Chen	.....	A63B 21/0552	482/52	2005/0227818 A1 *	10/2005	Liao	.....	A63B 21/015	482/53
7,896,780 B2 *	3/2011	Chen	.....	A63B 23/0429	482/52	2007/0202996 A1 *	8/2007	Lu	.....	A63B 22/0056	482/52
8,152,698 B1 *	4/2012	Chen	.....	A63B 22/00	482/53	2007/0254782 A1 *	11/2007	Chen	.....	A63B 22/0056	482/53
D728,707 S *	5/2015	Colburn	.....	D21/663		2008/0020904 A1 *	1/2008	Ho	.....	A63B 22/0069	482/52
2003/0017916 A1 *	1/2003	Juan	.....	A63B 22/0056	482/51	2008/0026916 A1 *	1/2008	Chuang	.....	A63B 22/0064	482/53
2003/0216224 A1 *	11/2003	Chuang	.....	A63B 22/0056	482/53	2010/0144495 A1 *	6/2010	Chen	.....	A63B 22/0069	482/52
						2013/0316879 A1 *	11/2013	Prats	.....	A63B 71/0619	482/53

\* cited by examiner

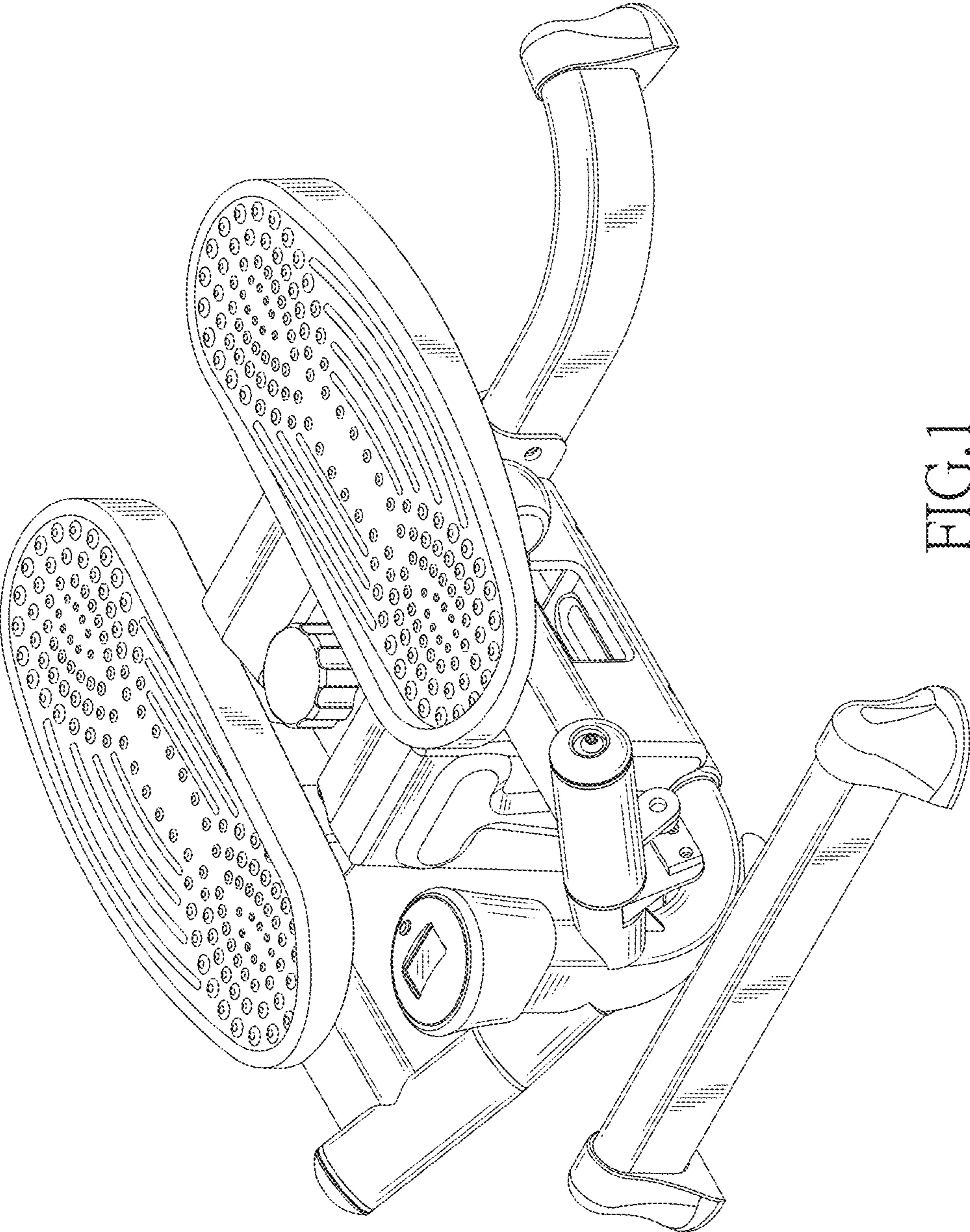


FIG.1



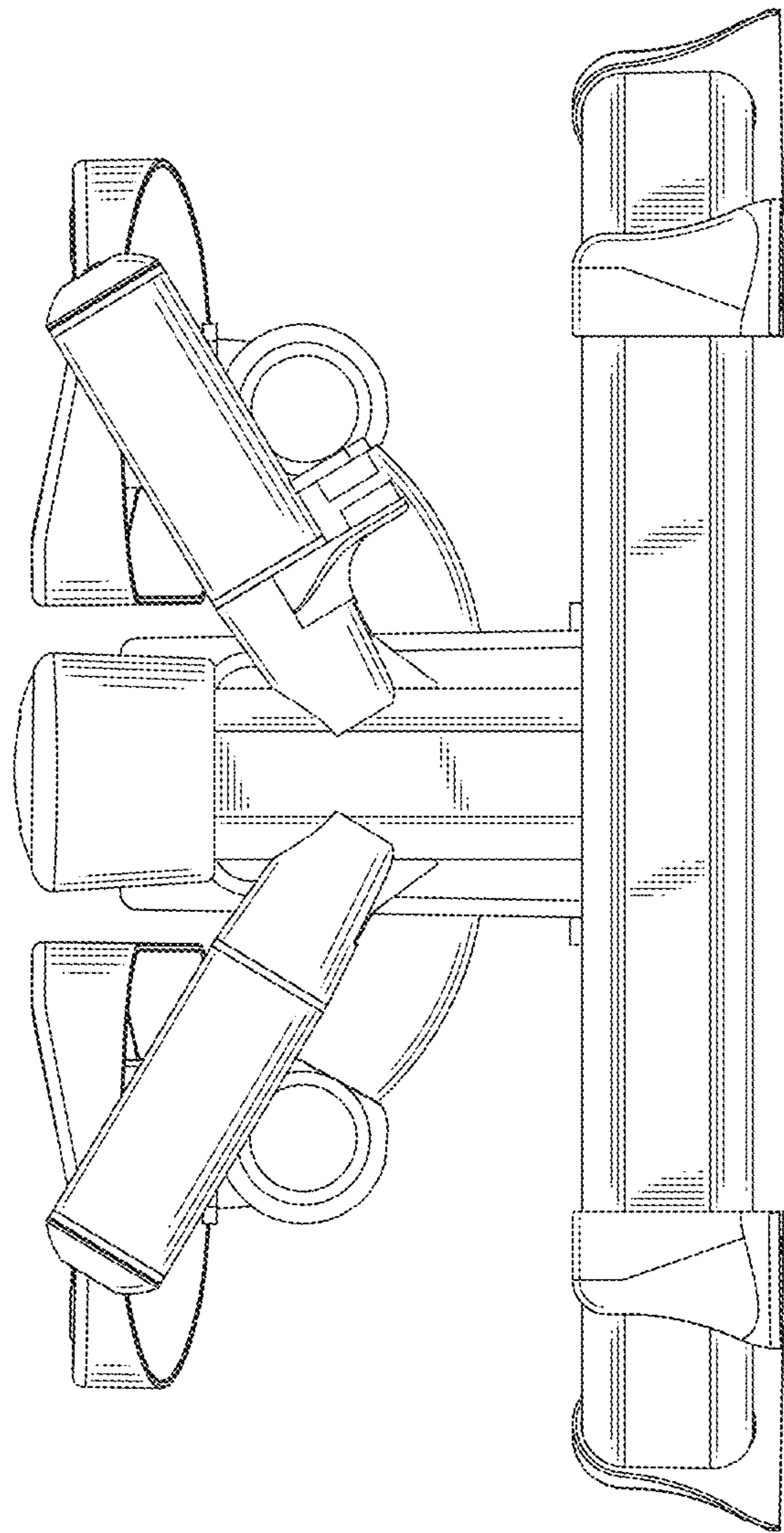


FIG.2

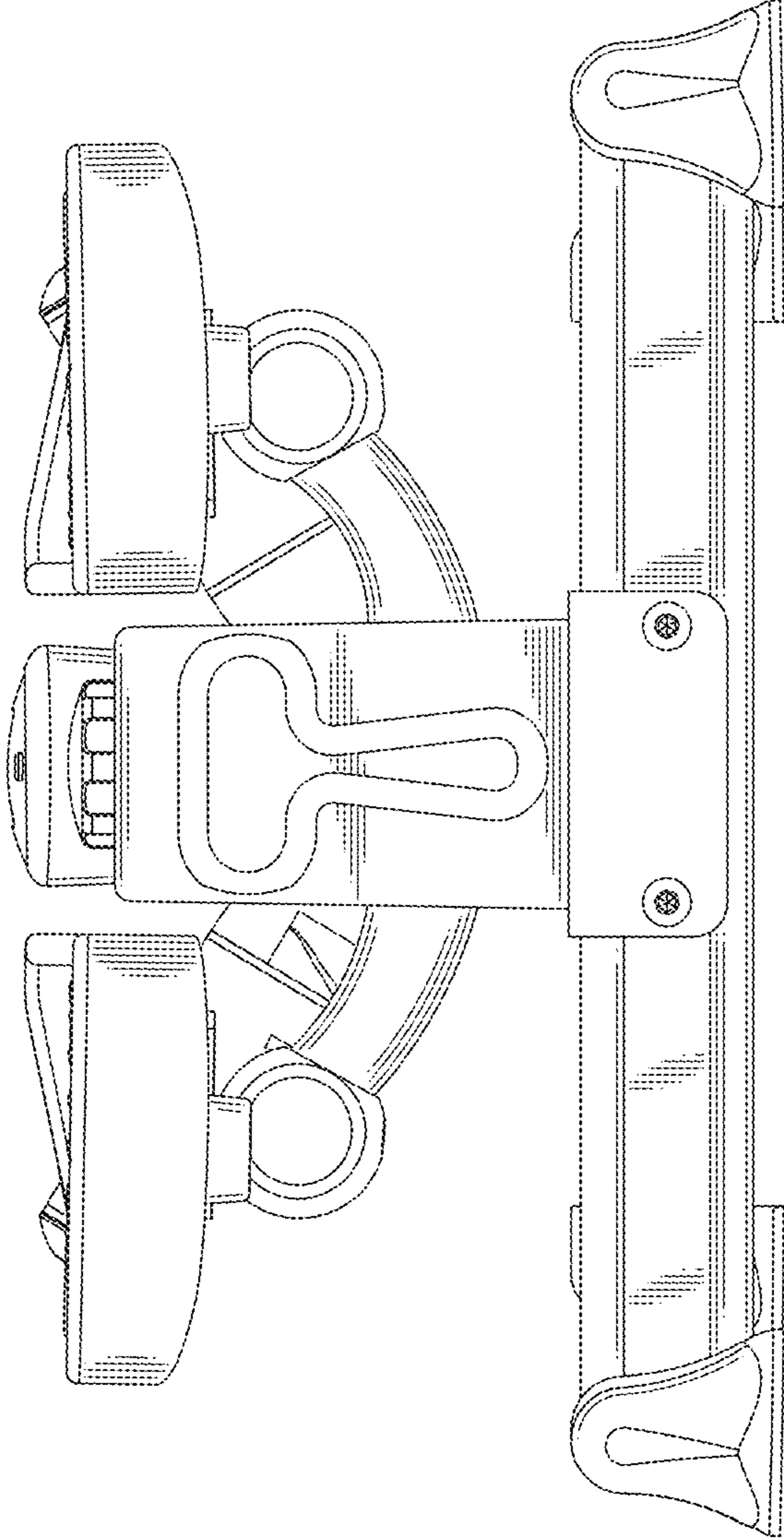


FIG.3

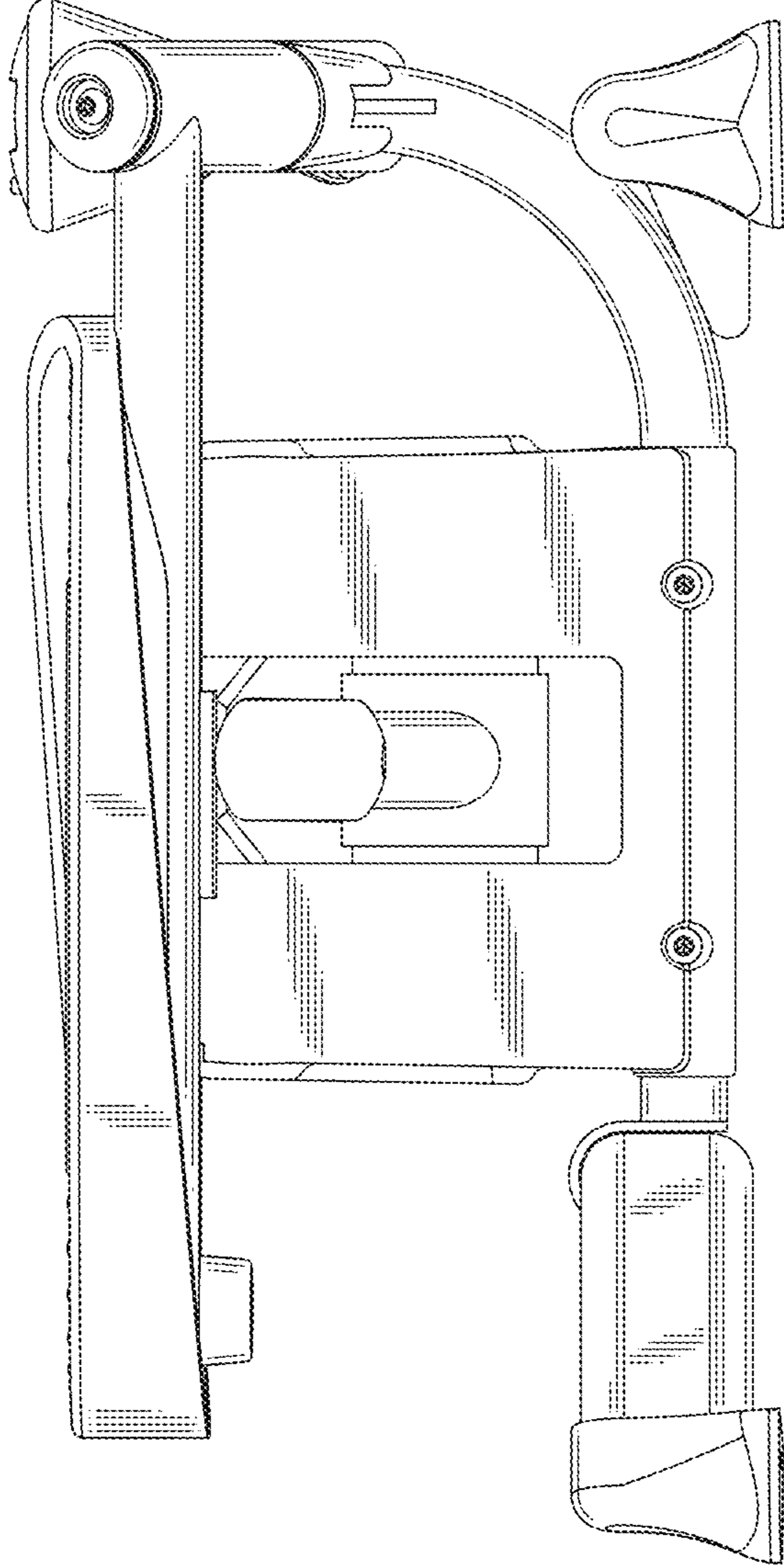


FIG.4

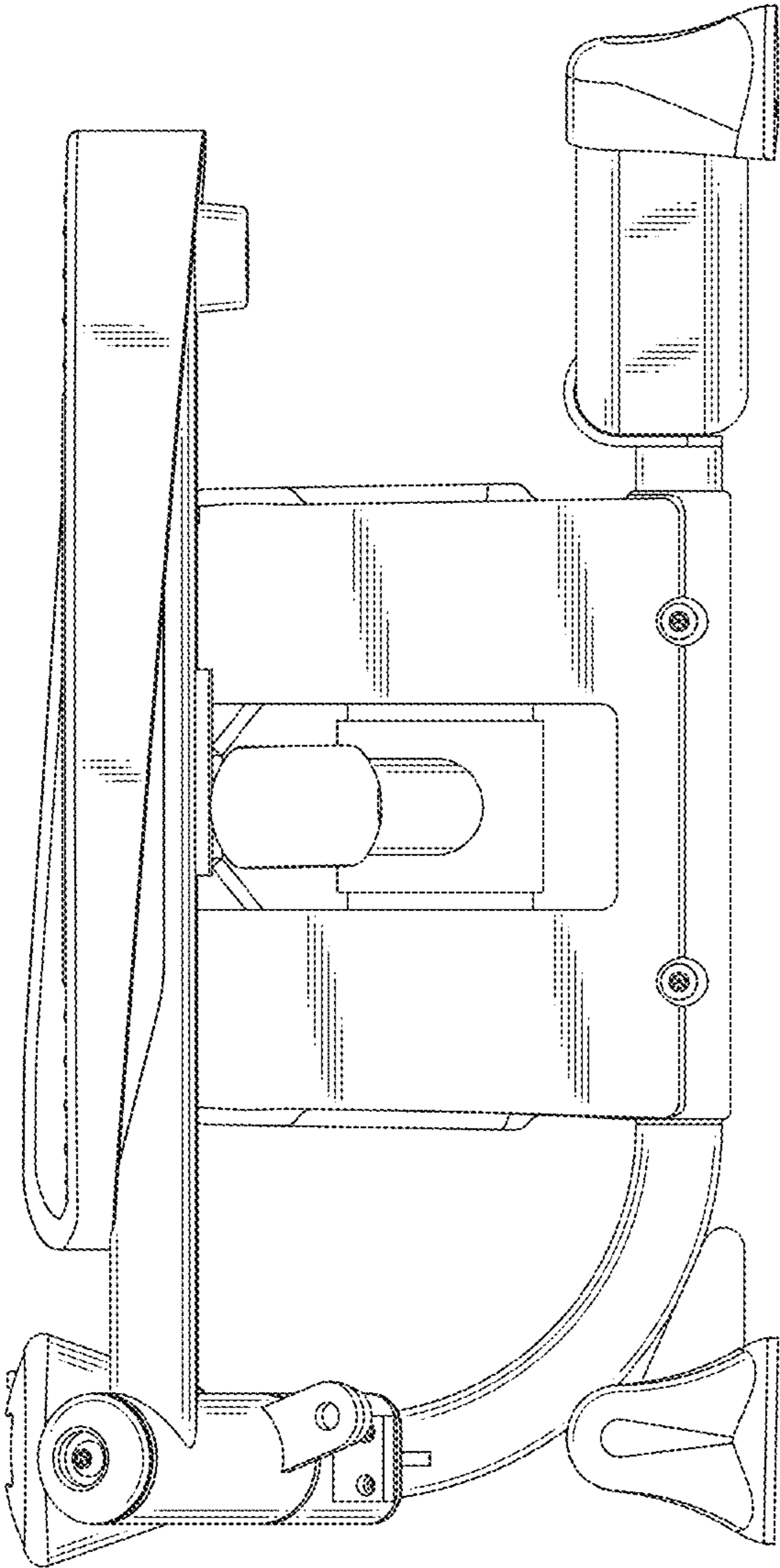


FIG.5



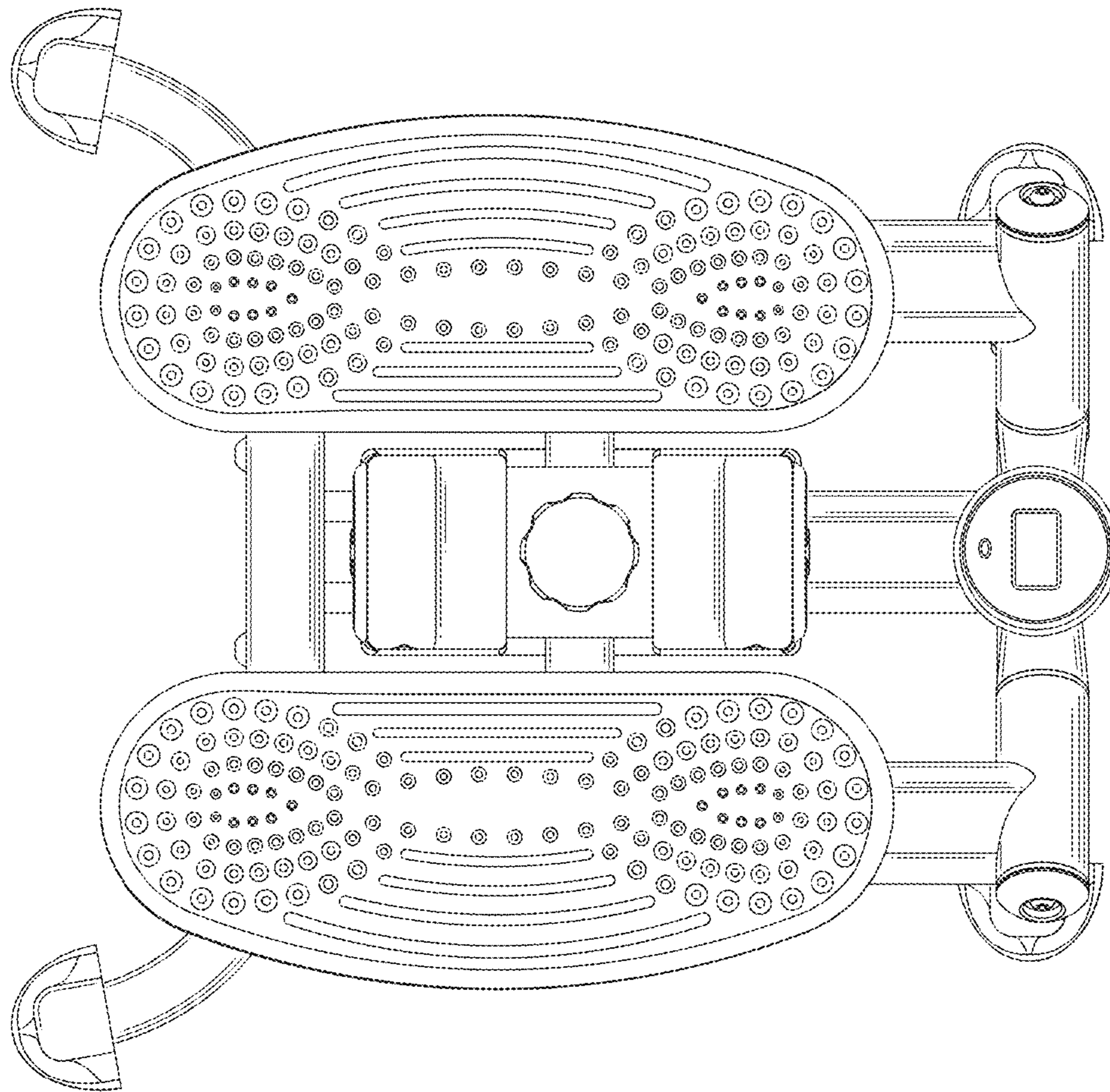


FIG. 6



