



US00D771203S

(12) **United States Design Patent** (10) **Patent No.:** **US D771,203 S**  
**Gan** (45) **Date of Patent:** **\*\* Nov. 8, 2016**

(54) **REMOTE CONTROL VEHICLE**  
(71) Applicant: **MerchSource, LLC**, Irvine, CA (US)  
(72) Inventor: **Chon Seong Gan**, Irvine, CA (US)  
(73) Assignee: **MerchSource, LLC**, Irvine, CA (US)  
(\*\*) Term: **15 Years**  
(21) Appl. No.: **29/542,735**  
(22) Filed: **Oct. 16, 2015**  
(51) **LOC (10) Cl.** ..... **21-01**  
(52) **U.S. Cl.**  
USPC ..... **D21/552**  
(58) **Field of Classification Search**  
USPC ..... D21/433, 434, 533, 548-560, 561, 562,  
D21/581; 446/465, 468, 470, 471, 431,  
446/454-456  
CPC B60C 2200/20; B62B 5/0033; A63H 17/26;  
A63H 17/262; A63H 17/264; A63H 17/266;  
A63H 17/36; A63H 17/38; A63H 29/00;  
A63H 29/22; A63H 29/24; A63H 30/04  
See application file for complete search history.

D299,666 S \* 1/1989 Harrod ..... D21/551  
D341,393 S \* 11/1993 Chazen ..... D21/548  
D341,394 S \* 11/1993 Chazen ..... D21/548  
D377,956 S \* 2/1997 Chuang ..... D21/548  
D396,900 S \* 8/1998 Bro ..... D21/551  
D454,602 S \* 3/2002 Tse ..... D21/552  
D489,150 S \* 4/2004 Campbell ..... D32/15  
D523,912 S \* 6/2006 Tucker ..... D21/433

\* cited by examiner  
*Primary Examiner* — Cynthia M Chin  
(74) *Attorney, Agent, or Firm* — Avyno Law P.C.

(56) **References Cited**  
U.S. PATENT DOCUMENTS  
4,173,095 A \* 11/1979 Pauly ..... A63H 17/00  
446/470  
D275,872 S \* 10/1984 Manning ..... D21/559  
D275,873 S \* 10/1984 Manning ..... D21/548  
D275,874 S \* 10/1984 Manning ..... D21/548  
D285,466 S \* 9/1986 Ohno ..... D21/581  
D290,723 S \* 7/1987 Kitamura ..... D21/581  
D292,425 S \* 10/1987 Lim ..... D21/581

(57) **CLAIM**  
I claim the ornamental design for a remote control vehicle,  
as shown and described.

**DESCRIPTION**  
FIG. 1 is a perspective view of a remote control vehicle.  
FIG. 2 is a side view of the left side of the remote control  
vehicle of FIG. 1.  
FIG. 3 is a side view of the right side of the remote control  
vehicle of FIG. 1.  
FIG. 4 is a top view of the remote control vehicle of FIG. 1.  
FIG. 5 is a bottom view of the remote control vehicle of FIG.  
1.  
FIG. 6 is a front view of the remote control vehicle of FIG.  
1; and,  
FIG. 7 is a rear view of the remote control vehicle of FIG.  
1.  
The broken lines shown are included for the purpose of  
illustrating the unclaimed portions of the article and forms  
no part of the claimed design.

**1 Claim, 7 Drawing Sheets**

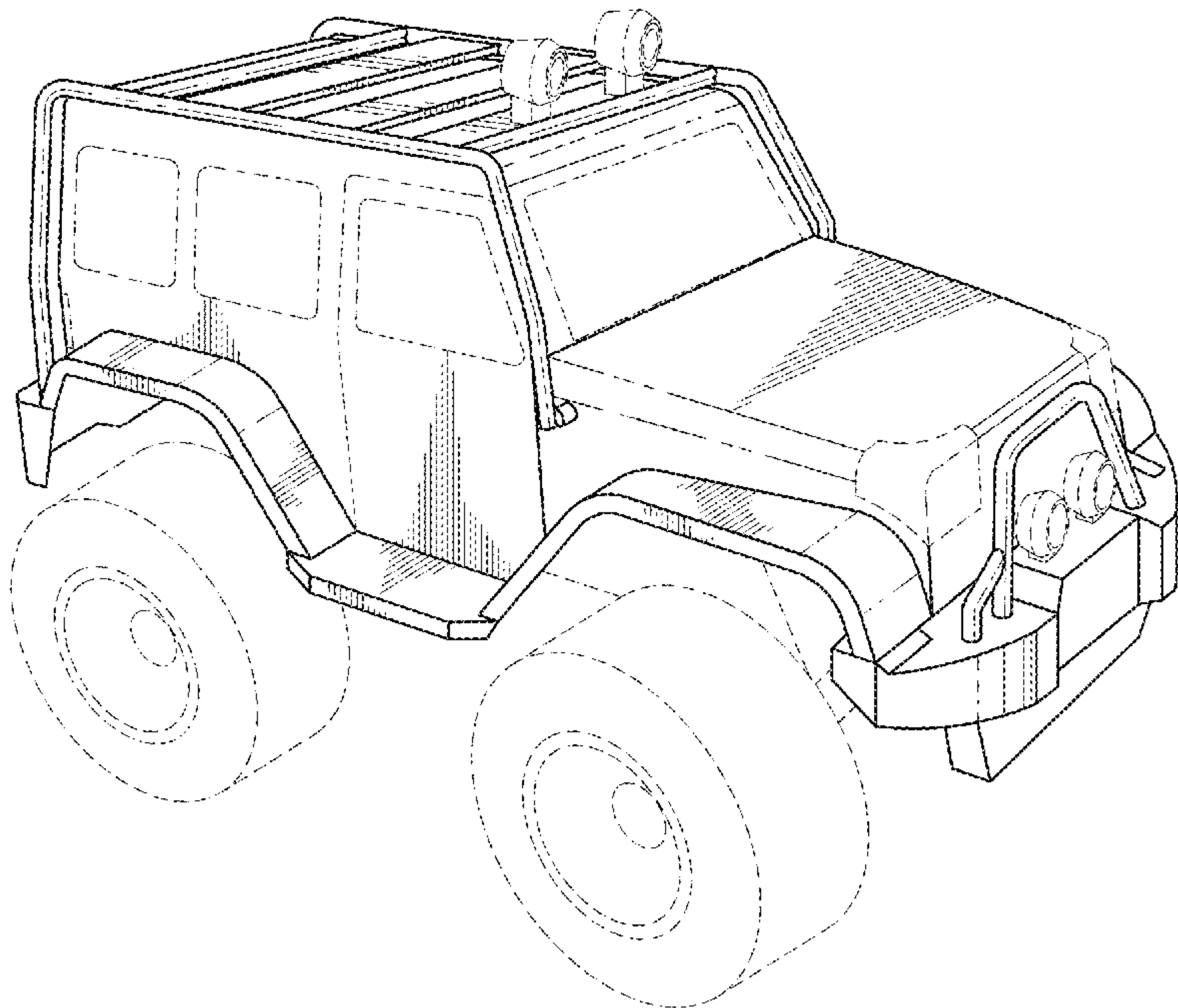
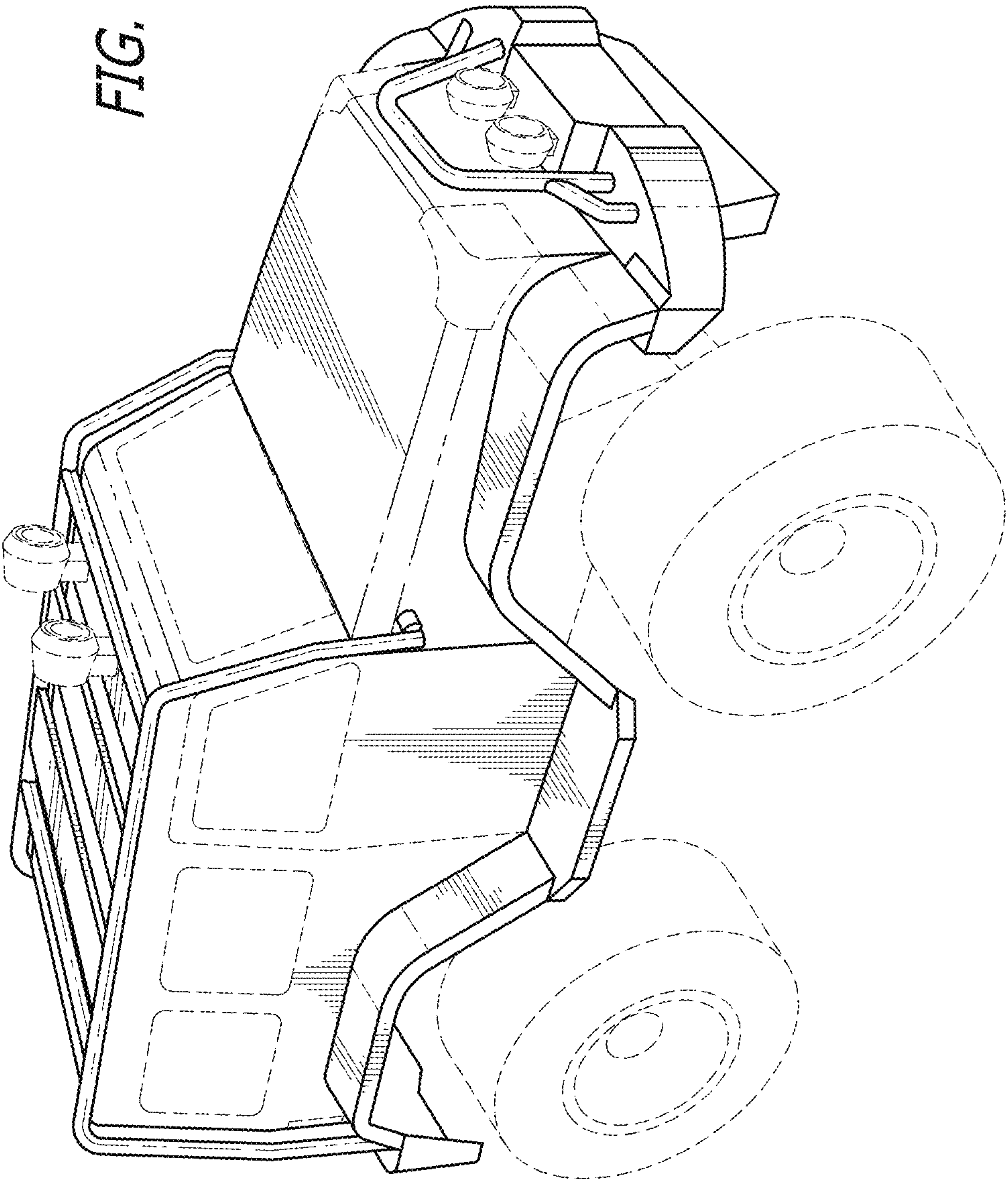


FIG. 1



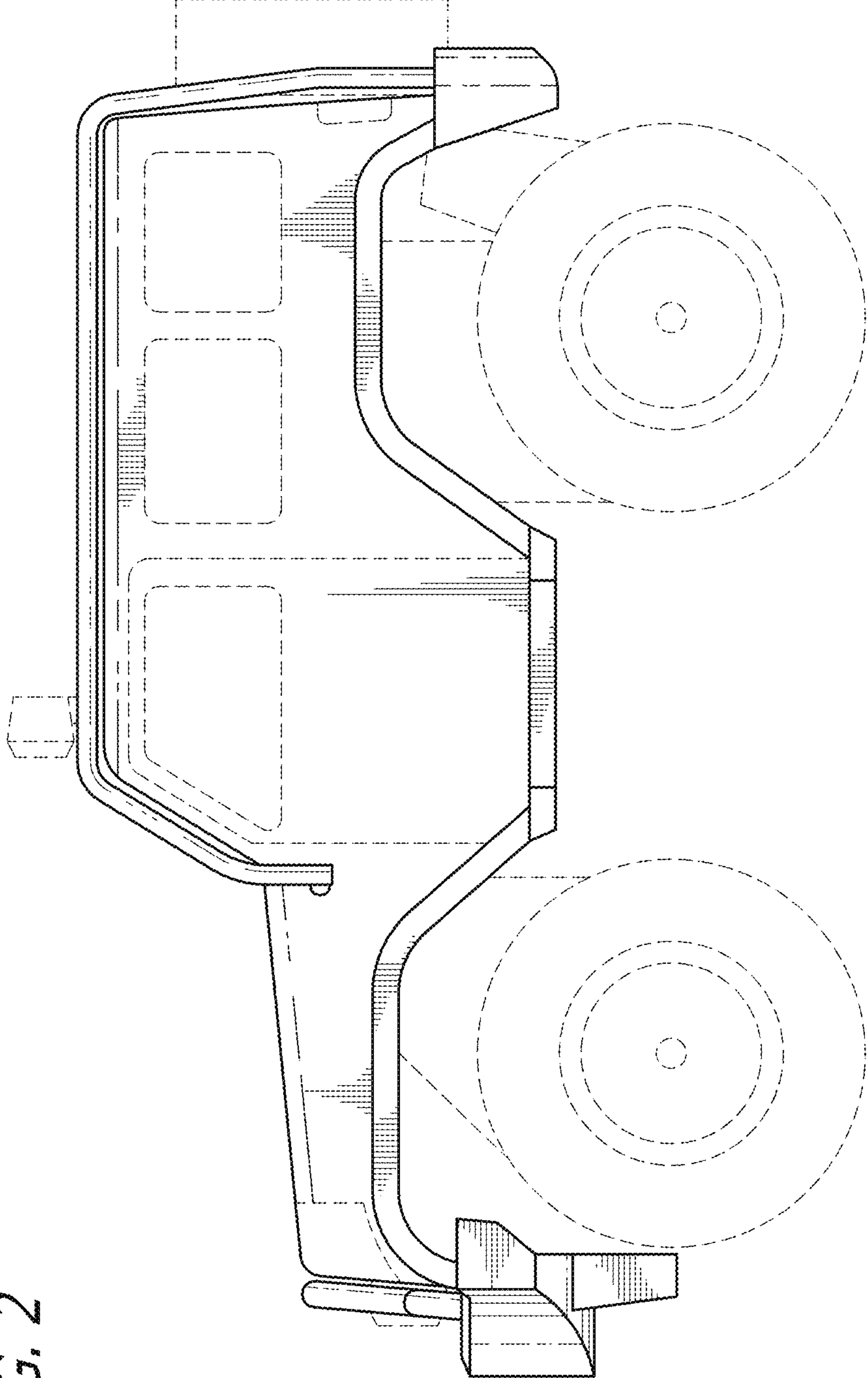
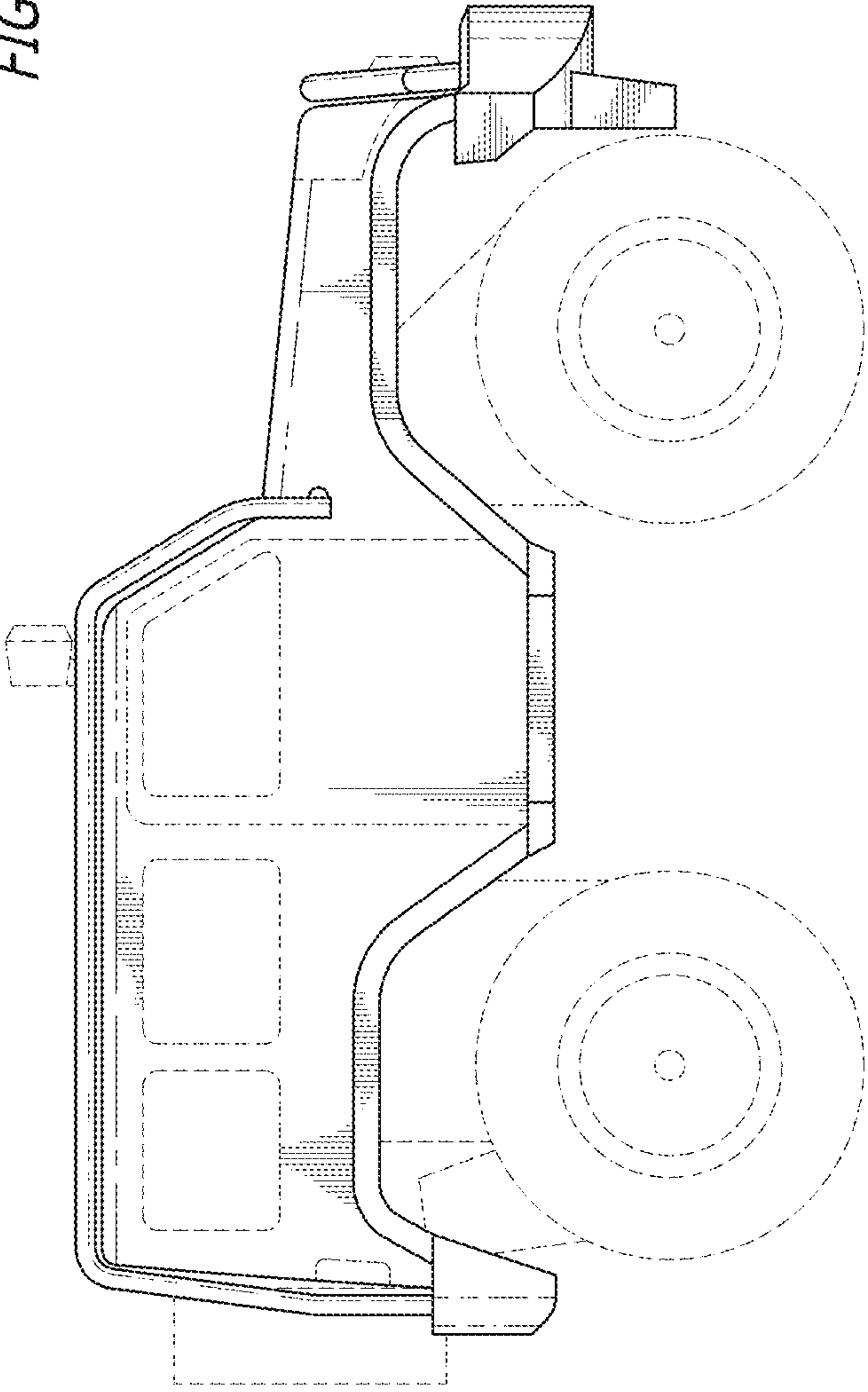


FIG. 2

FIG. 3





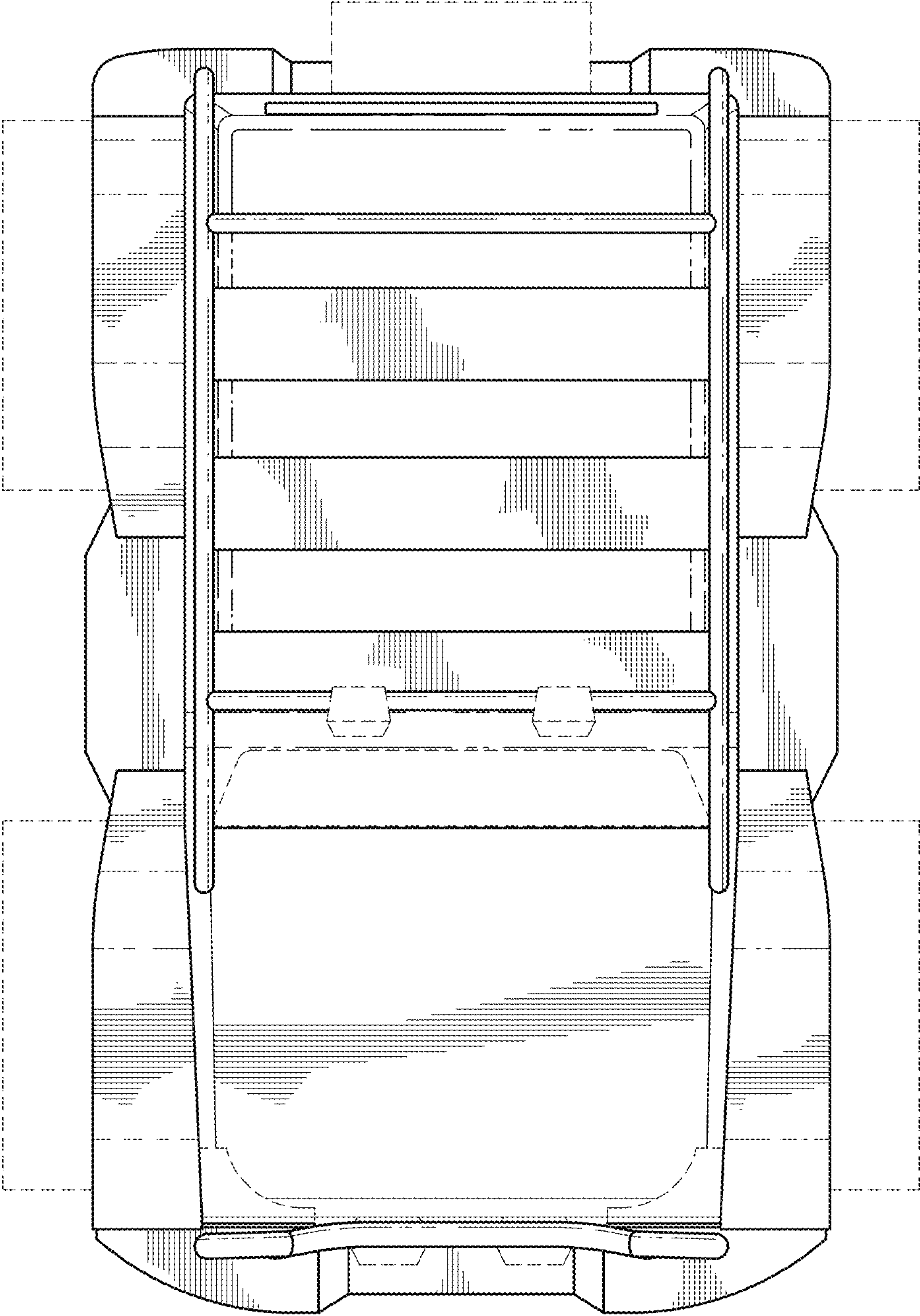


FIG. 4

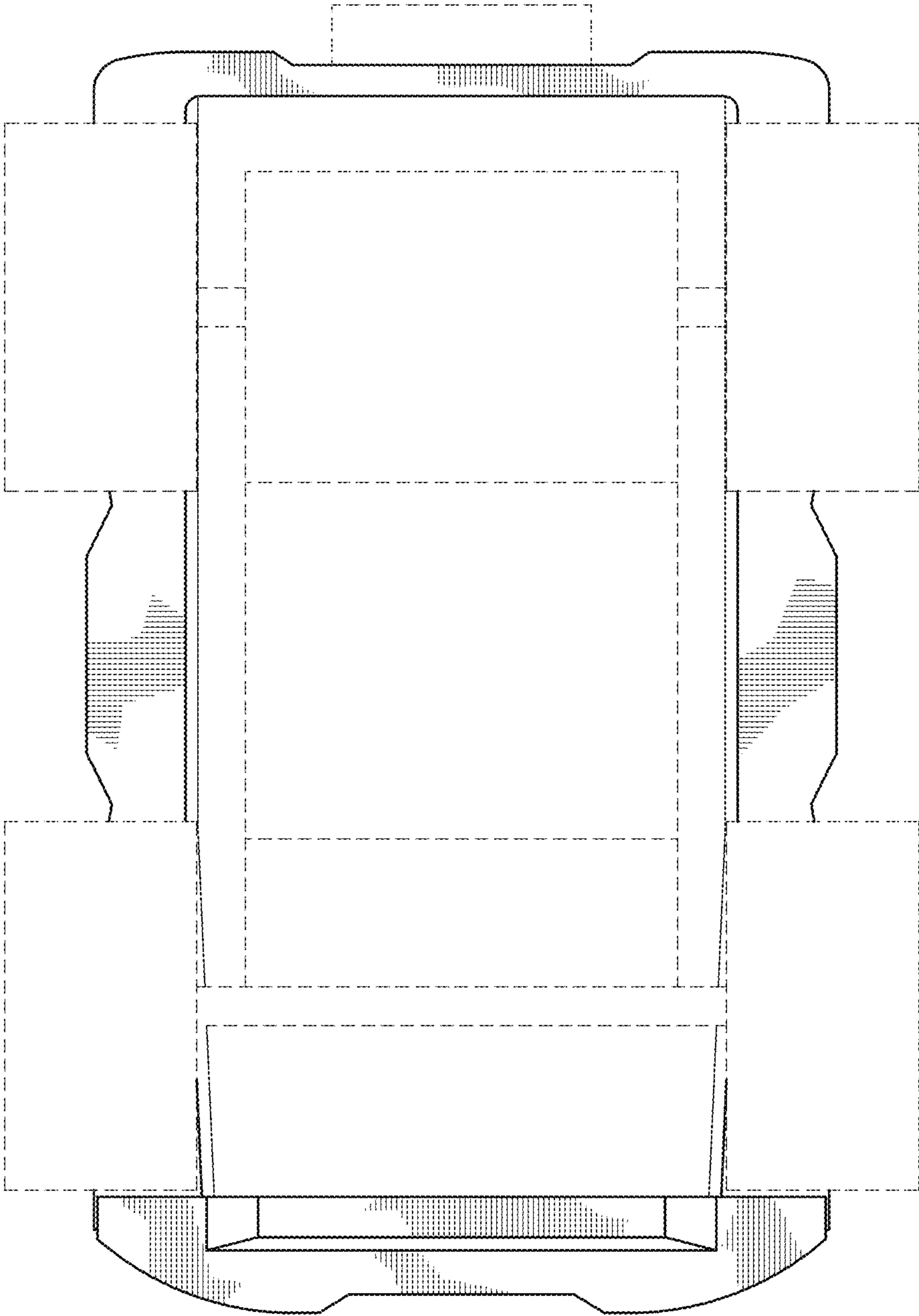


FIG. 5

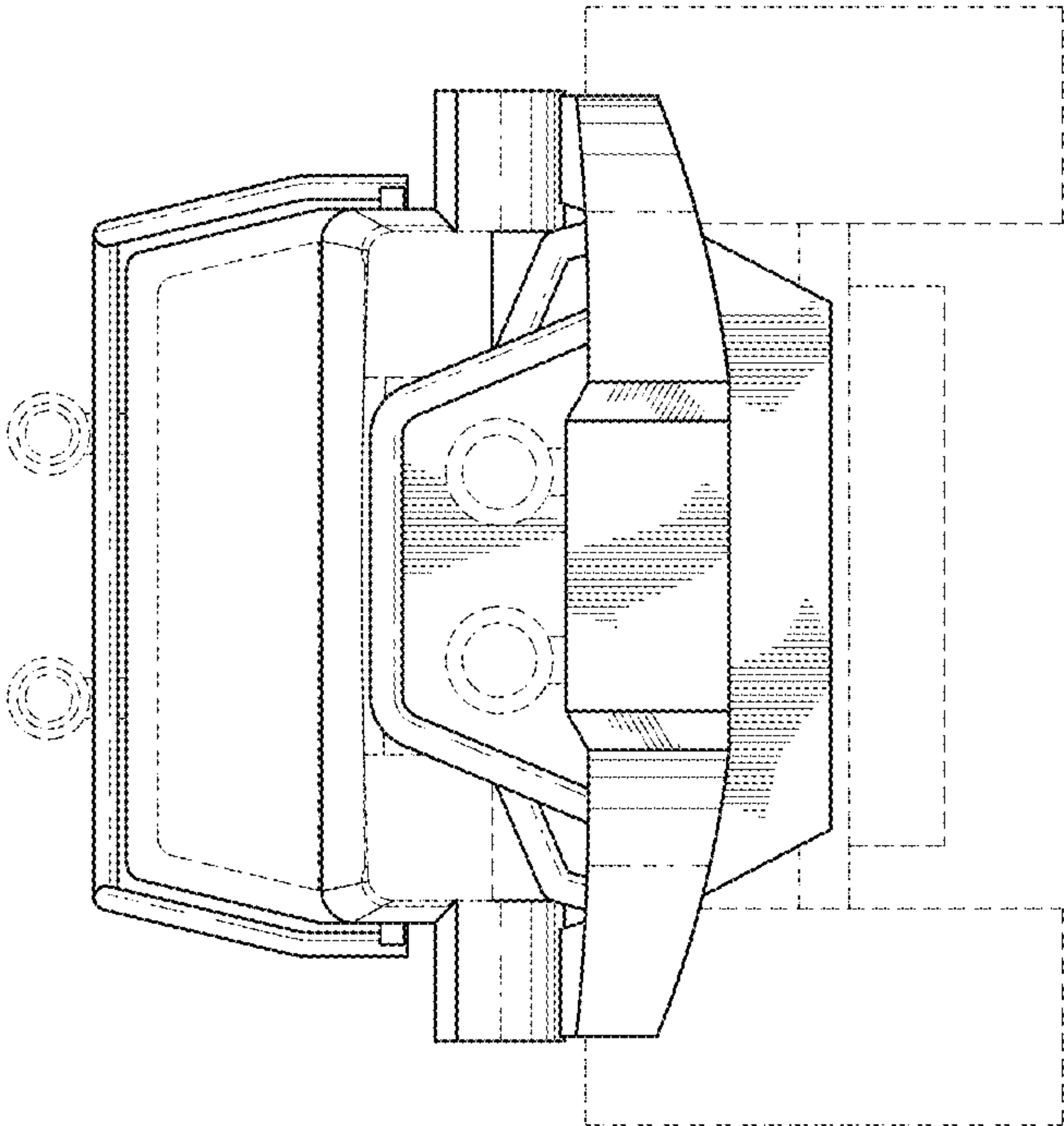


FIG. 6

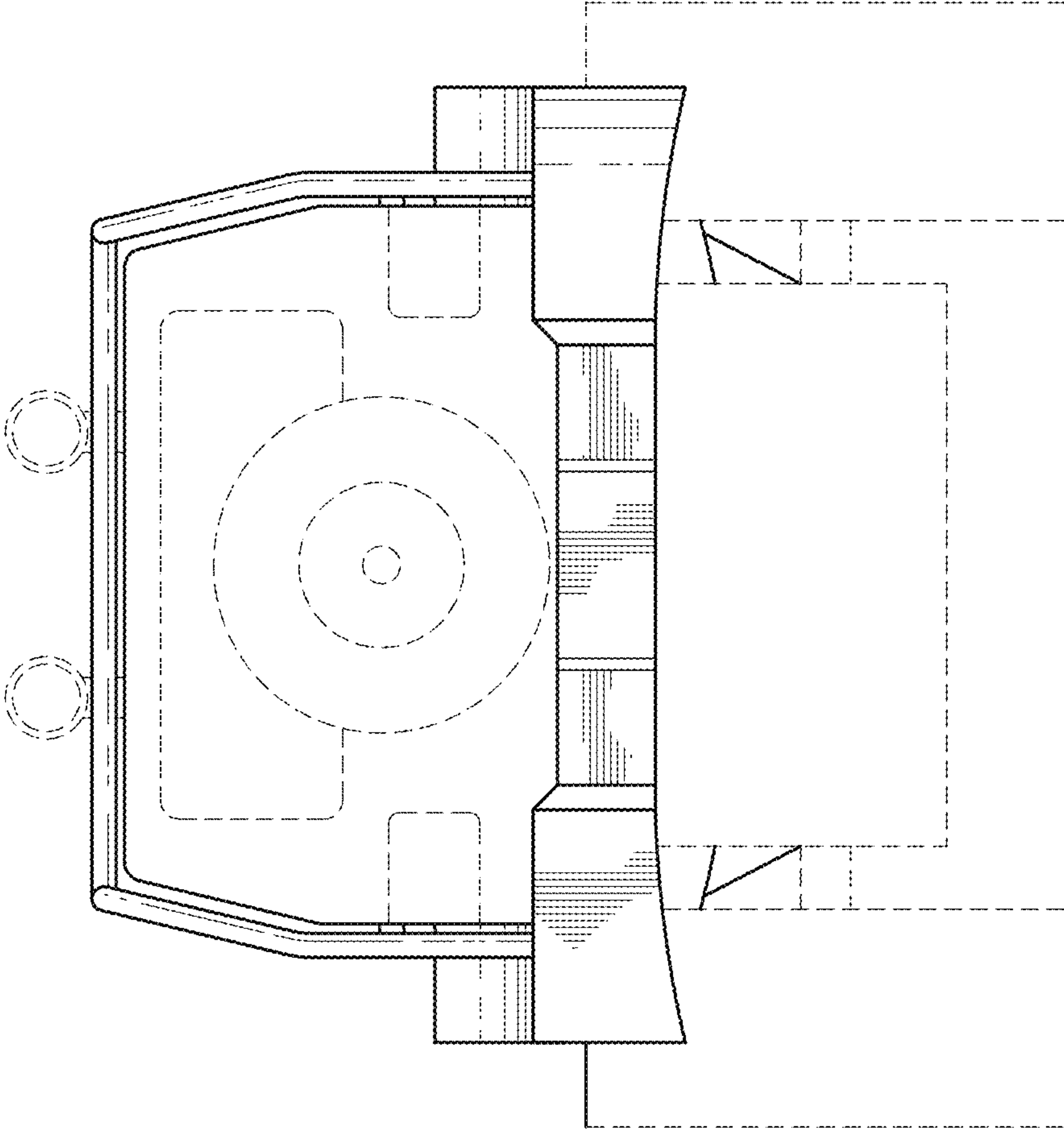


FIG. 7