



US00D771202S

(12) **United States Design Patent** (10) **Patent No.:** **US D771,202 S**  
**Gan** (45) **Date of Patent:** **\*\* Nov. 8, 2016**

(54) **REMOTE CONTROL VEHICLE**  
 (71) Applicant: **MerchSource, LLC**, Irvine, CA (US)  
 (72) Inventor: **Chon Seong Gan**, Irvine, CA (US)  
 (73) Assignee: **MerchSource, LLC**, Irvine, CA (US)  
 (\*\*) Term: **15 Years**  
 (21) Appl. No.: **29/542,730**  
 (22) Filed: **Oct. 16, 2015**  
 (51) **LOC (10) Cl.** ..... **21-01**  
 (52) **U.S. Cl.**  
 USPC ..... **D21/552**  
 (58) **Field of Classification Search**  
 USPC ..... D21/433, 434, 533, 548–560, 561, 562;  
 446/465, 468, 470, 471, 431, 454–456  
 CPC B60C 2200/20; B62B 5/0033; A63H 17/26;  
 A63H 17/262; A63H 17/264; A63H 17/266;  
 A63H 17/36; A63H 17/38; A63H 29/00;  
 A63H 29/22; A63H 29/24; A63H 30/04  
 See application file for complete search history.

(56) **References Cited**  
 U.S. PATENT DOCUMENTS  
 D277,494 S \* 2/1985 Lerch ..... D21/559  
 D281,000 S \* 10/1985 Kuna ..... D21/559  
 D289,909 S \* 5/1987 Bollinger ..... D21/548  
 D312,488 S \* 11/1990 Kwan ..... D21/551

D341,394 S \* 11/1993 Chazen ..... D21/548  
 D377,956 S \* 2/1997 Chuang ..... D21/548  
 D379,386 S \* 5/1997 Chuang ..... D21/548  
 D428,076 S \* 7/2000 Wise ..... D21/548  
 D443,318 S \* 6/2001 Tse ..... D21/559  
 D454,602 S \* 3/2002 Tse ..... D21/552  
 D550,311 S \* 9/2007 Chen ..... D21/548  
 D728,037 S \* 4/2015 Barajas ..... D21/548

\* cited by examiner  
 Primary Examiner — Cynthia M Chin  
 (74) Attorney, Agent, or Firm — Avyno Law P.C.

(57) **CLAIM**  
 I claim the ornamental design for a remote control vehicle,  
 as shown and described.

**DESCRIPTION**  
 FIG. 1 is a perspective view of a remote control vehicle;  
 FIG. 2 is a side view of the right side of the remote control  
 vehicle of FIG. 1;  
 FIG. 3 is a side view of the left side of the remote control  
 vehicle of FIG. 1;  
 FIG. 4 is a top view of the remote control vehicle of FIG. 1;  
 FIG. 5 is a rear view of the remote control land rover of FIG.  
 1; and,  
 FIG. 6 is a rear view of the remote control vehicle of FIG.  
 1.  
 The broken lines shown are included for the purpose of  
 illustrating the unclaimed portions of the article and forms  
 no part of the claimed design.

**1 Claim, 6 Drawing Sheets**

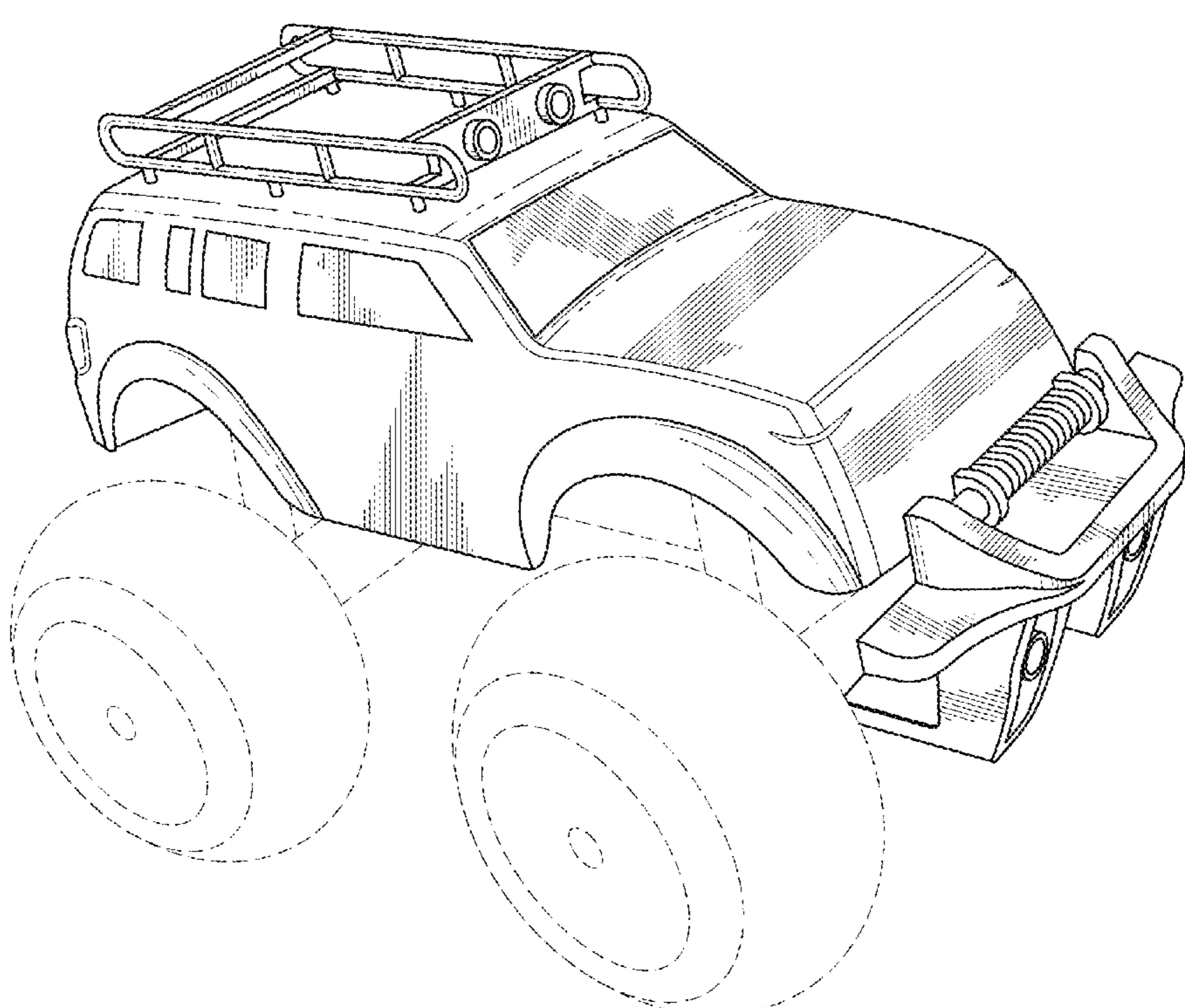


FIG. 1

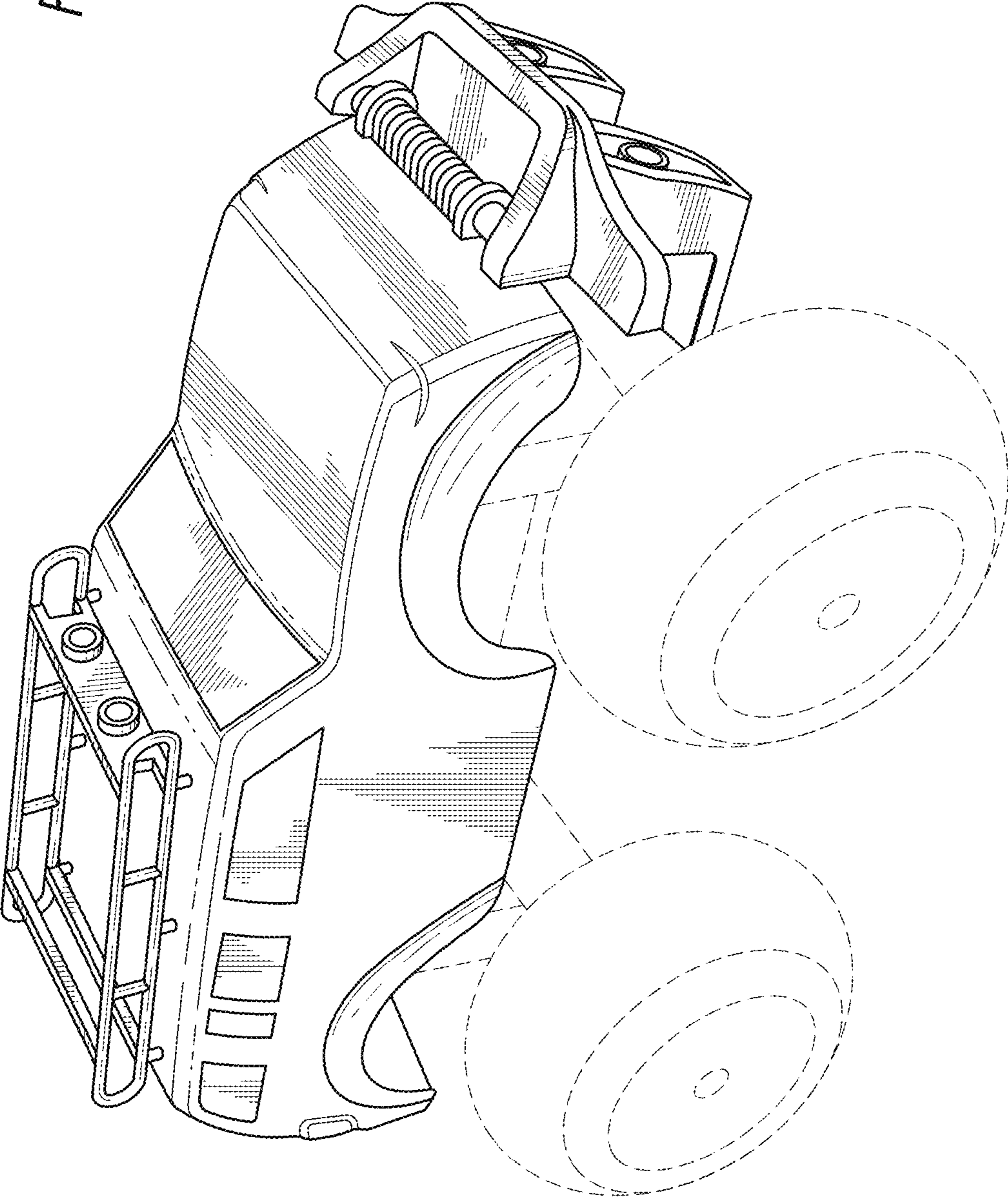
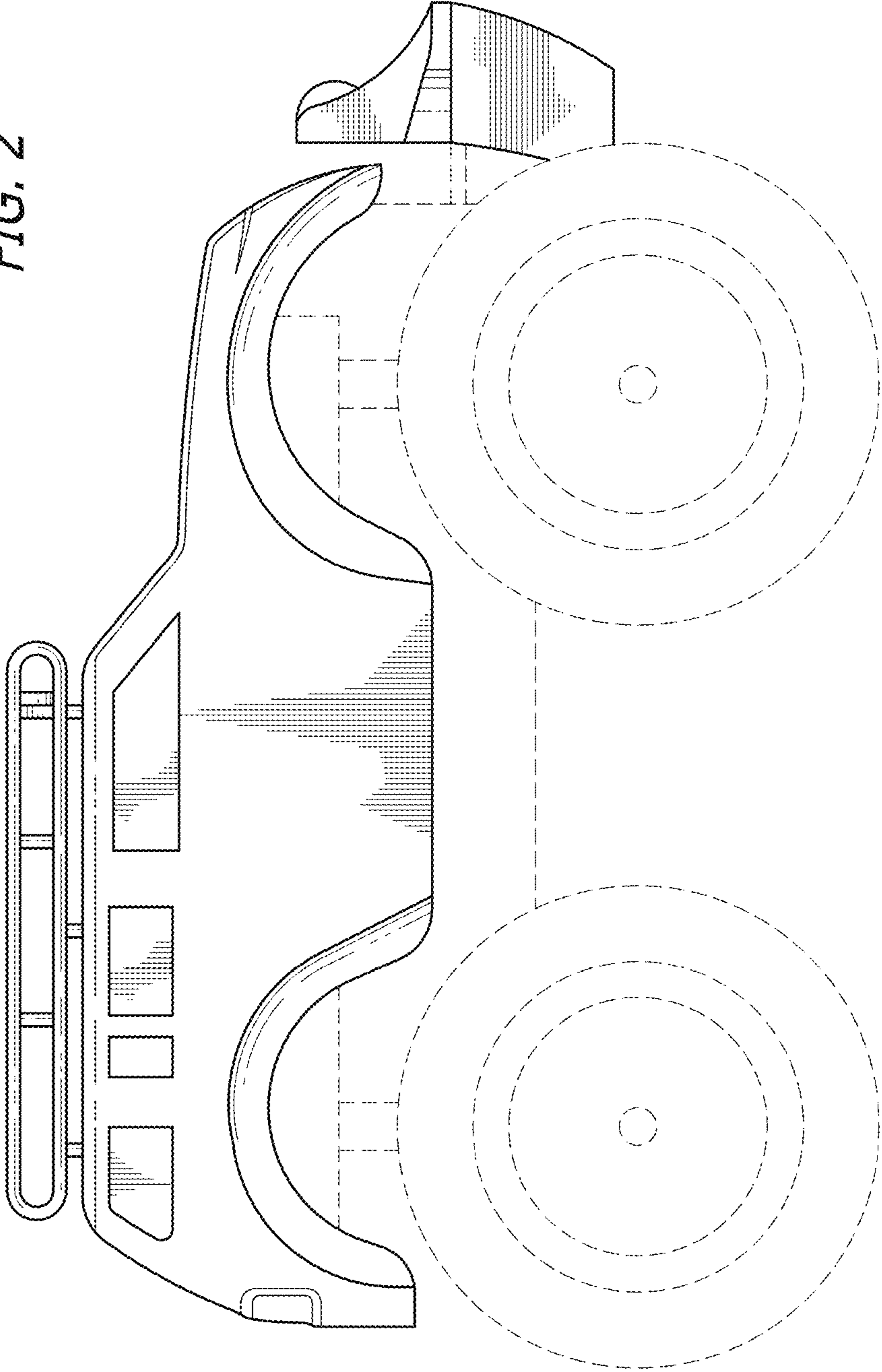


FIG. 2



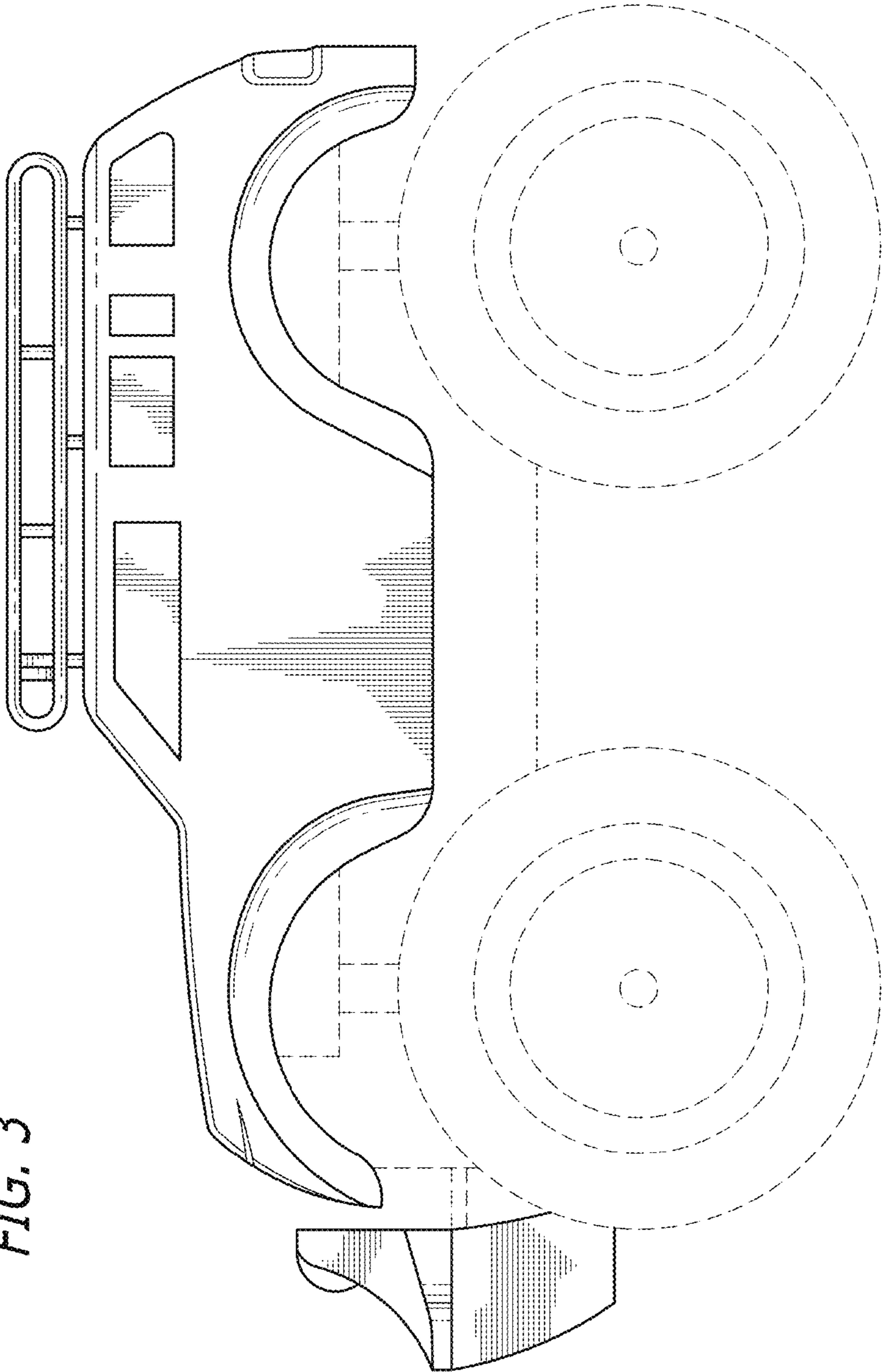


FIG. 3

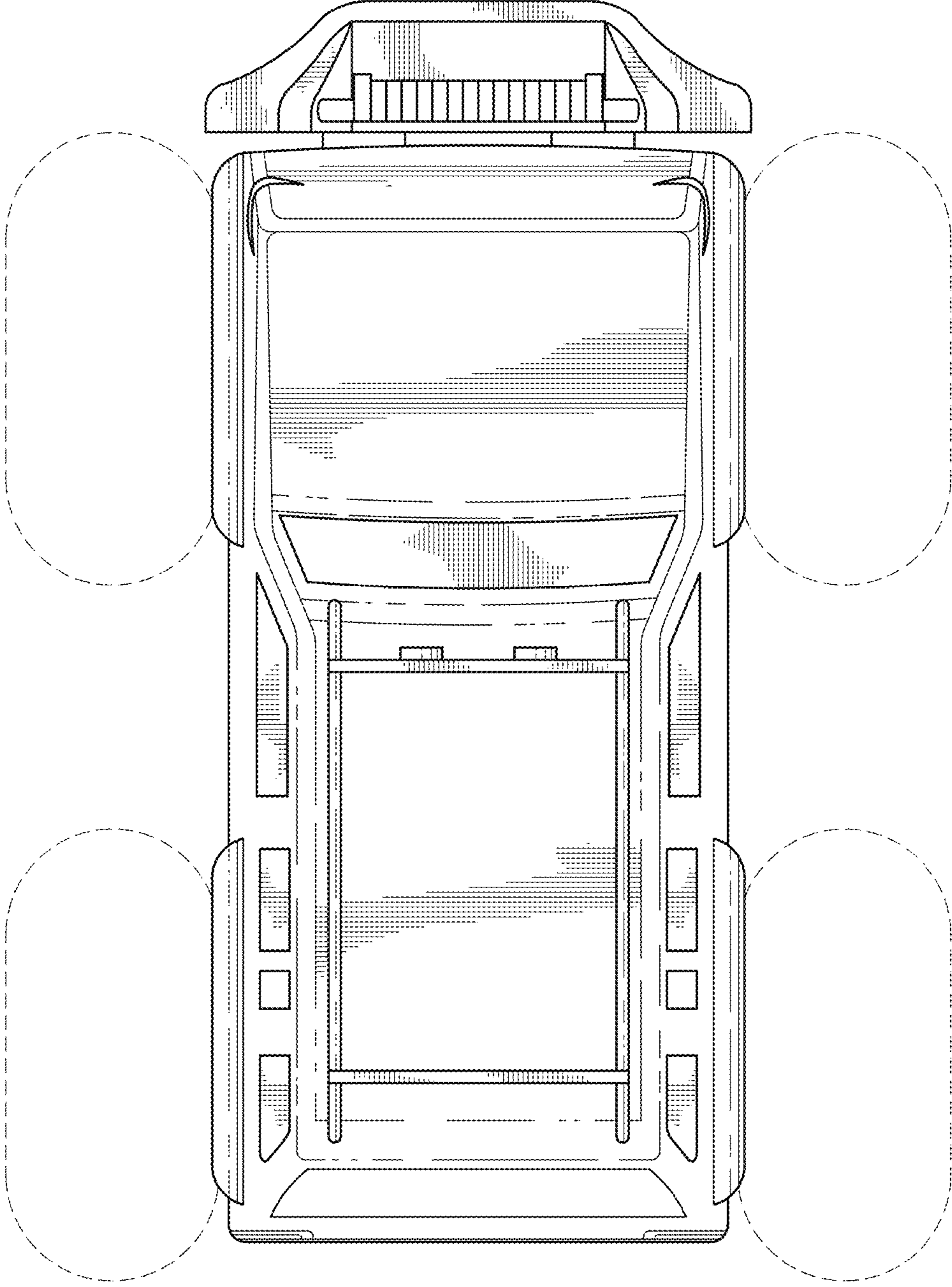


FIG. 4

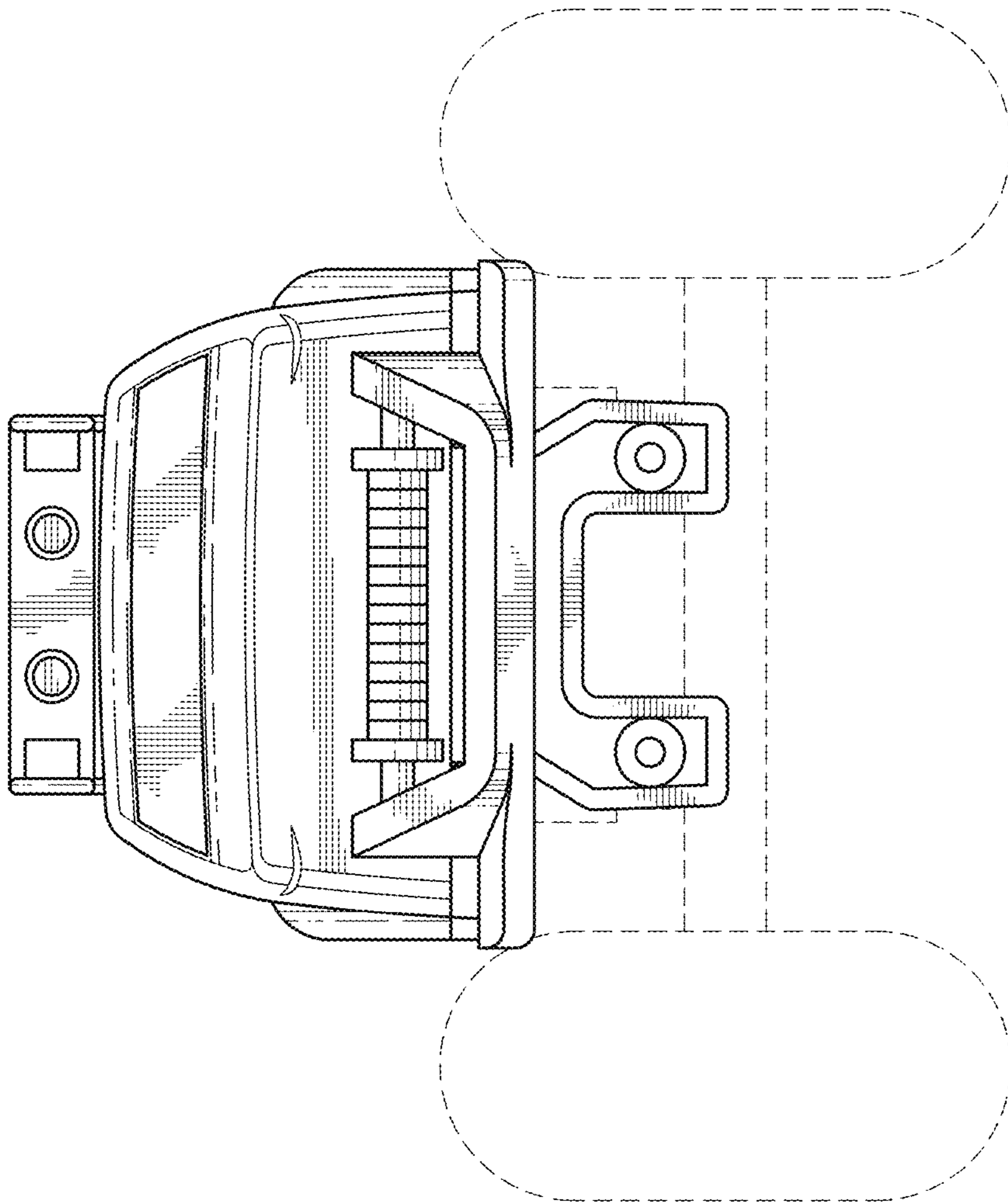


FIG. 5

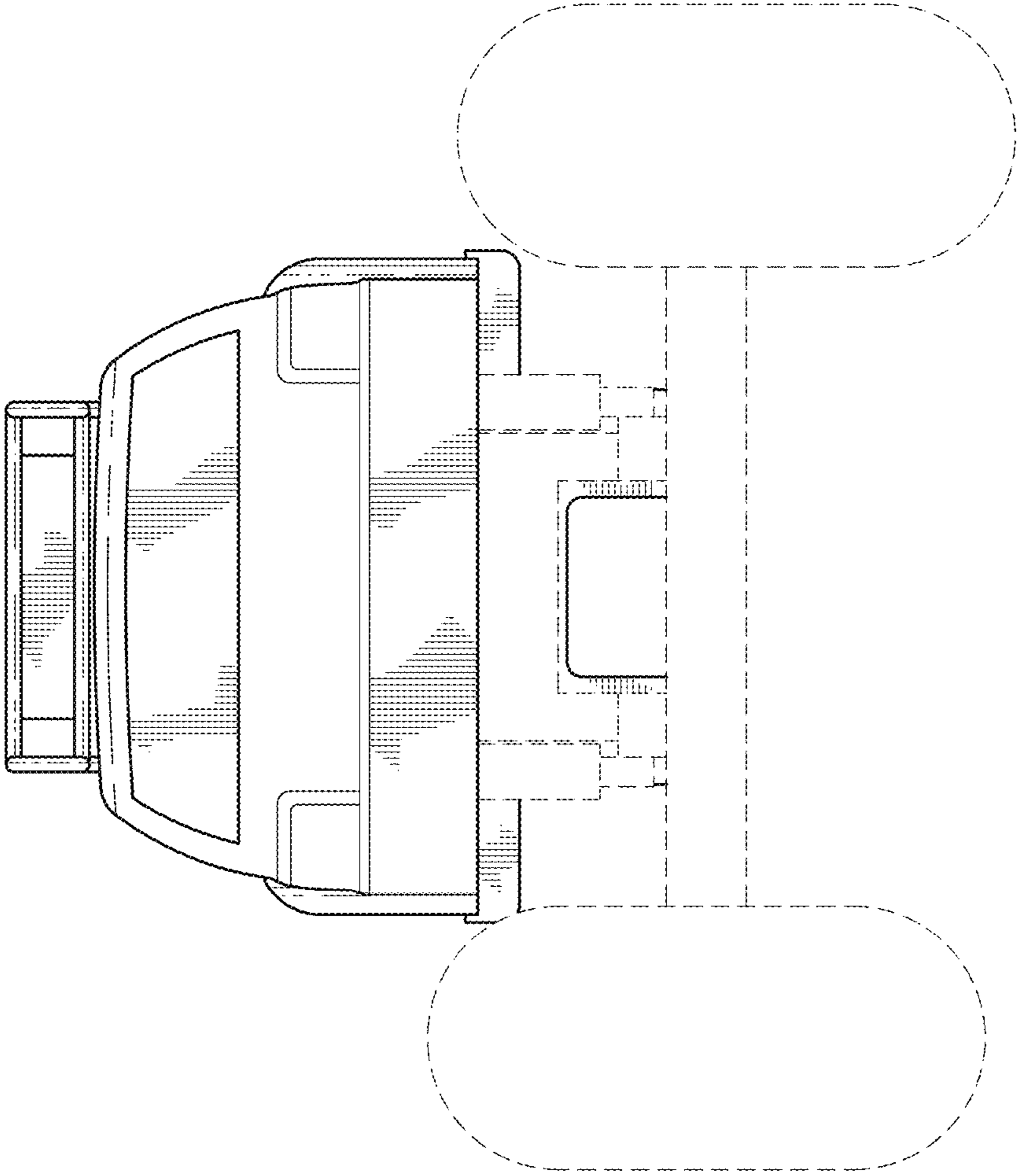


FIG. 6