



US00D771200S

(12) **United States Design Patent** (10) **Patent No.:** **US D771,200 S**  
**Ryaa** (45) **Date of Patent:** **\*\* Nov. 8, 2016**

(54) **BUILDING BLOCK FOR A TOY BUILDING SET**

(71) Applicant: **LEGO A/S**, Billund (DK)

(72) Inventor: **Jan Ryaa**, Billund (DK)

(73) Assignee: **LEGO A/S**, Billund (DK)

(\*\*) Term: **15 Years**

(21) Appl. No.: **29/527,928**

(22) Filed: **May 22, 2015**

(30) **Foreign Application Priority Data**

Nov. 25, 2014 (DK) ..... 854585501

(51) **LOC (10) Cl.** ..... **21-01**

(52) **U.S. Cl.**  
USPC ..... **D21/505**

(58) **Field of Classification Search**

USPC ..... D21/386, 389, 404, 468, 470, 471,  
D21/484-505; 446/69, 85, 102-128;  
434/208, 259, 403; 273/153, 156, 160;  
D25/113-116, 118  
CPC ..... A63H 33/00; A63H 33/04; A63H 33/06;  
A63H 33/08; A63H 33/084; A63H 33/086;  
A63H 33/088; A63H 33/10; A63H 33/12;  
A63H 33/105; A63H 33/108; A63H 3/00;  
A63H 3/16; A63H 3/46

See application file for complete search history.

(56) **References Cited**

U.S. PATENT DOCUMENTS

D220,400 S *	4/1971	Essman .....	D21/503
D223,463 S *	4/1972	Daenen .....	D21/503
D290,476 S *	6/1987	Ryaa .....	D21/497
4,808,140 A *	2/1989	Clavet .....	A63H 33/082 446/122
D309,638 S *	7/1990	Meyer .....	D21/495
D311,940 S *	11/1990	Anderson .....	D21/497
D312,105 S *	11/1990	Olsen .....	D21/497
D335,157 S *	4/1993	Rahbek .....	D21/497
D641,053 S *	7/2011	Sidenius .....	D21/494

\* cited by examiner

*Primary Examiner* — Cynthia M Chin

(74) *Attorney, Agent, or Firm* — Day Pitney LLP

(57) **CLAIM**

The ornamental design for a building block for a toy building set, as shown and described.

**DESCRIPTION**

FIG. 1 is a top plan view of my ornamental design for a building block for a toy building set;  
FIG. 2 is a top, left perspective view thereof;  
FIG. 3 is a left side view thereof;  
FIG. 4 is a front side view thereof;  
FIG. 5 is rear side view thereof;  
FIG. 6 is a bottom plan view thereof; and,  
FIG. 7 is a bottom, left perspective view thereof.  
The broken lines in the drawings depict portions of the building block for a toy building set that form no part of the claimed design.

**1 Claim, 7 Drawing Sheets**

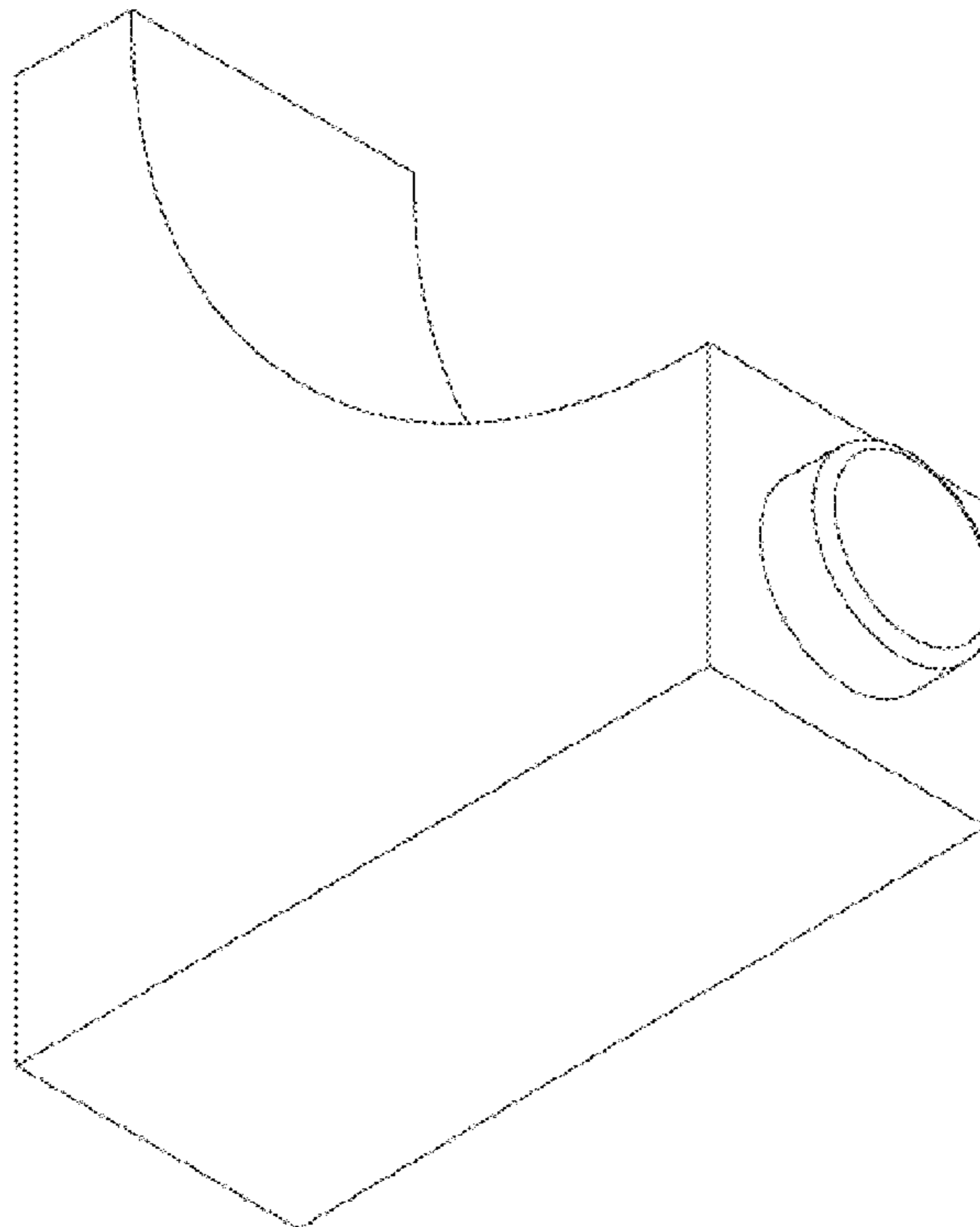




FIG. 1

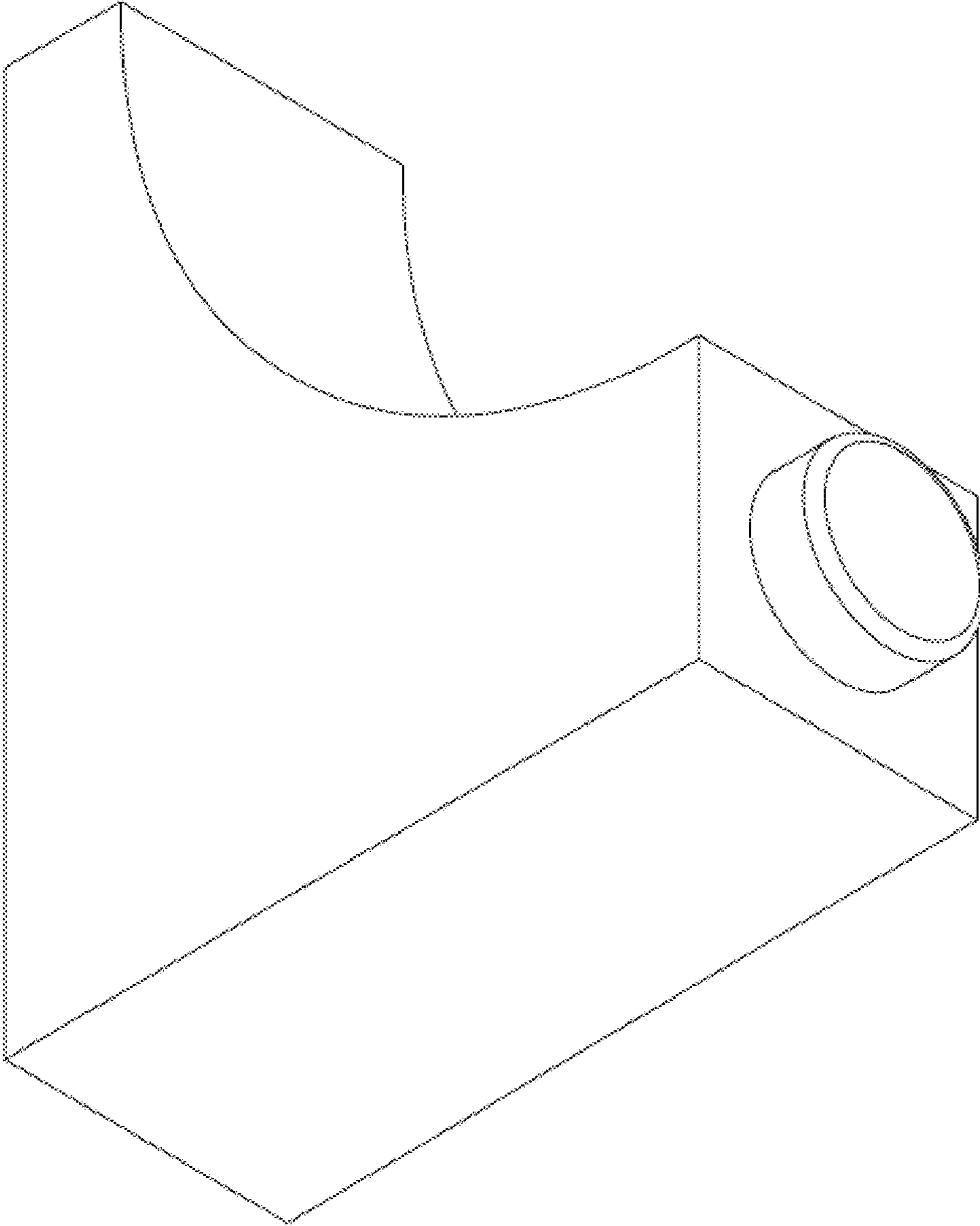


FIG. 2

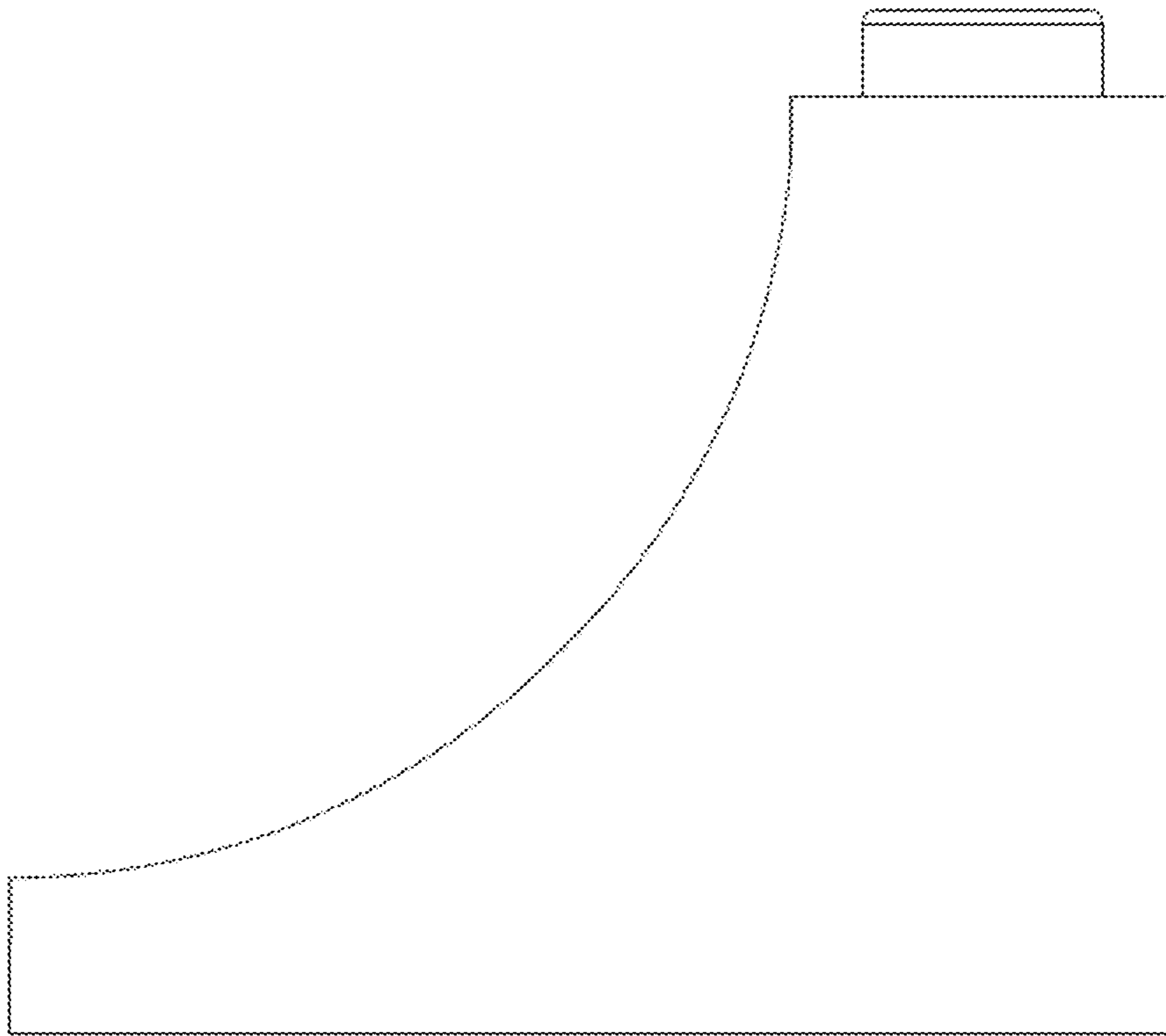


FIG. 3

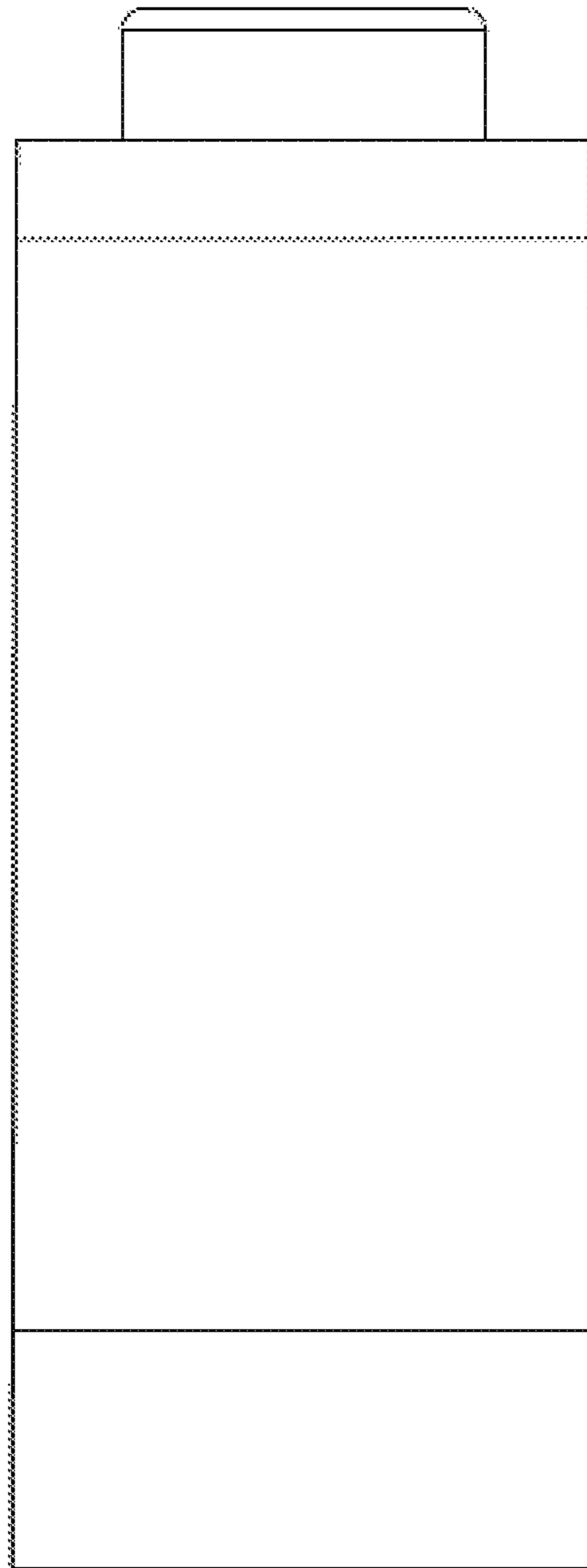


FIG. 4

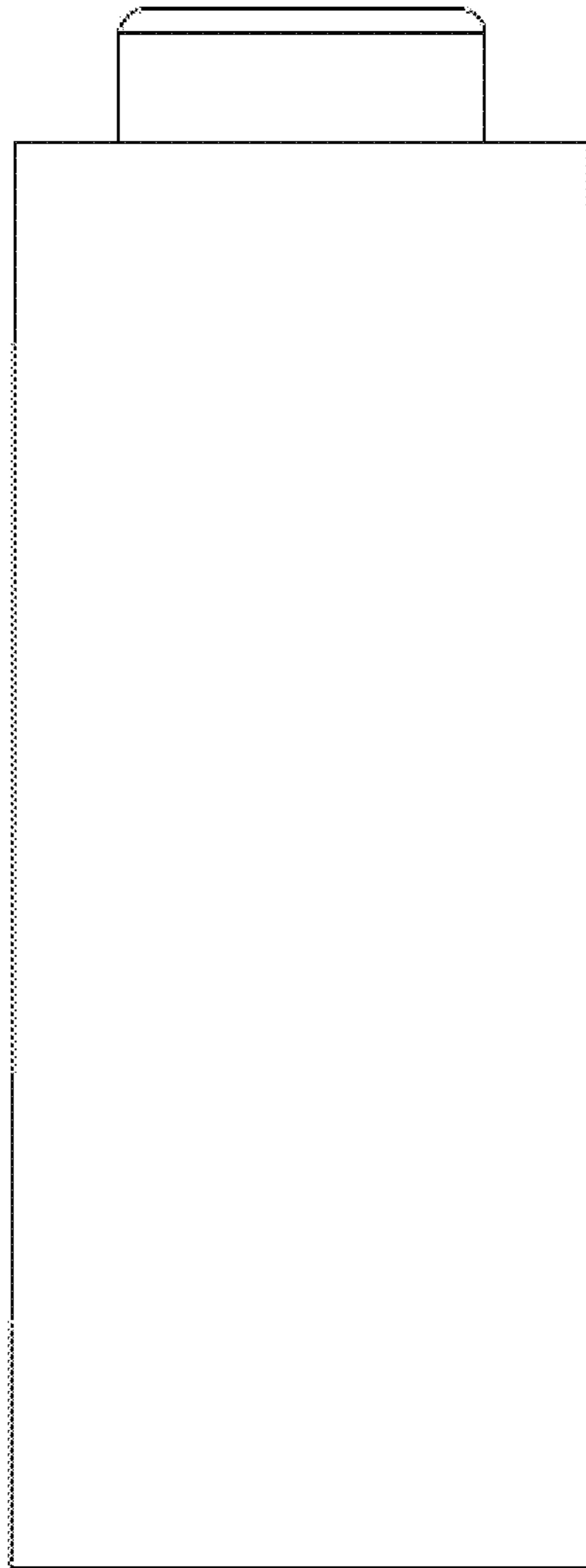


FIG. 5

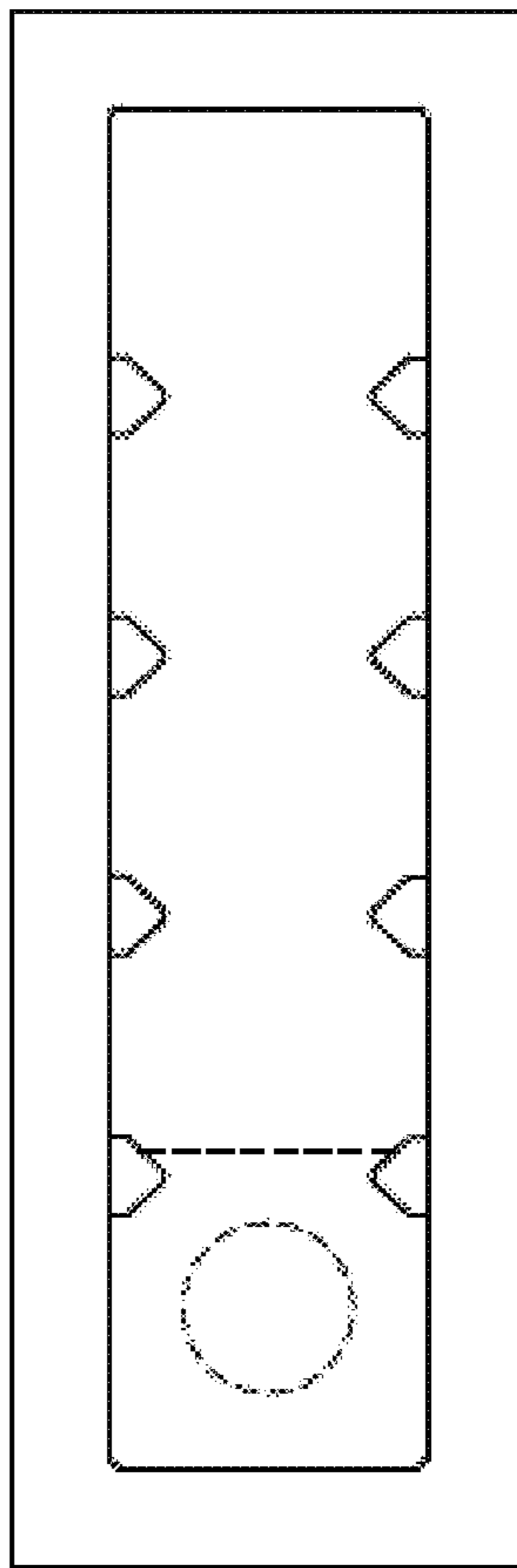


FIG. 6

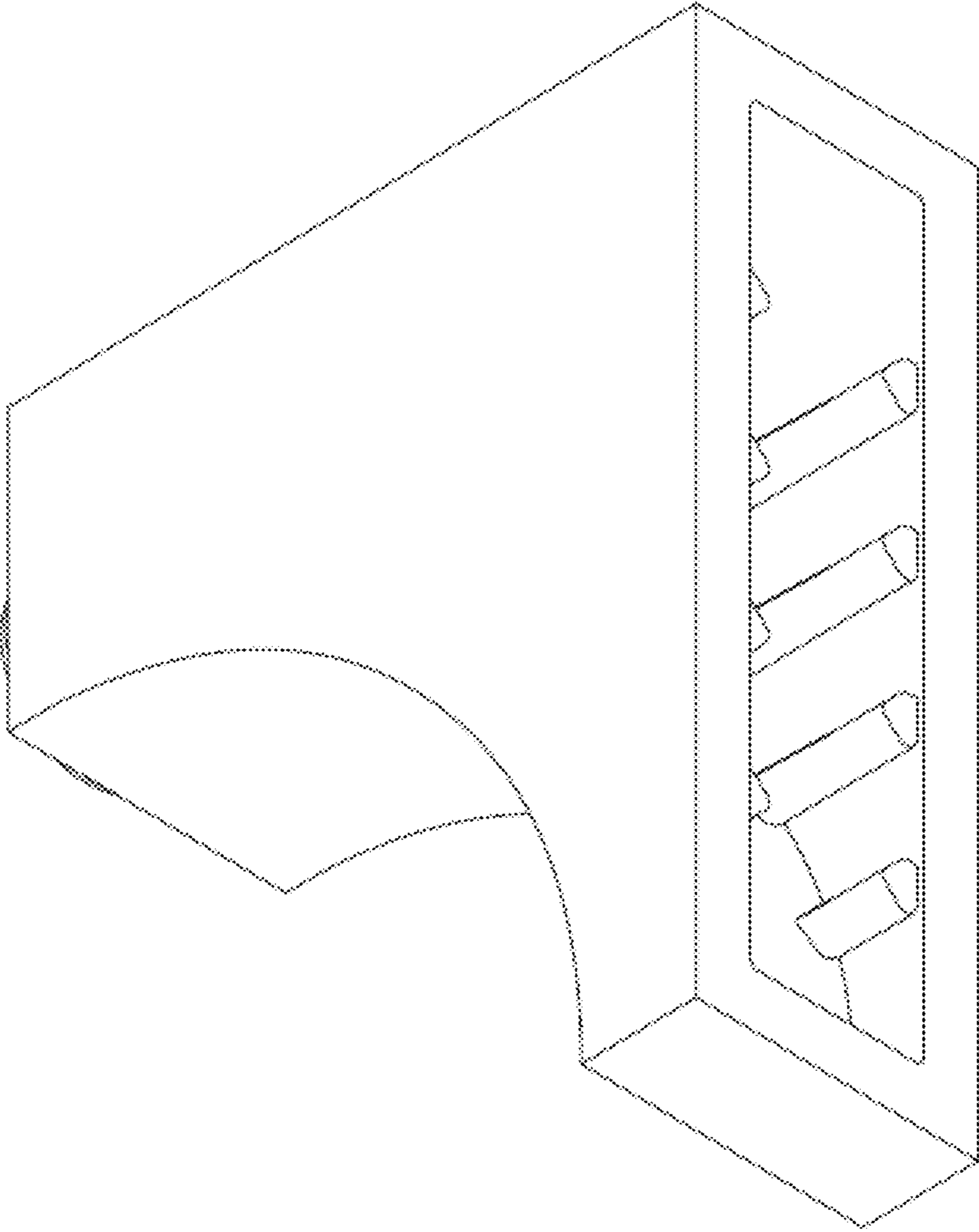


FIG. 7