



US00D771199S

(12) **United States Design Patent** (10) **Patent No.:** **US D771,199 S**
Ryaa (45) **Date of Patent:** **** Nov. 8, 2016**

(54) **BUILDING BLOCK FOR A TOY BUILDING SET**

(71) Applicant: **LEGO A/S**, Billund (DK)

(72) Inventor: **Jan Ryaa**, Billund (DK)

(73) Assignee: **LEGO A/S**, Billund (DK)

(**) Term: **15 Years**

(21) Appl. No.: **29/527,931**

(22) Filed: **May 22, 2015**

(30) **Foreign Application Priority Data**

Nov. 25, 2014 (DK) 854585501

(51) **LOC (10) Cl.** **21-01**

(52) **U.S. Cl.**
USPC **D21/504**

(58) **Field of Classification Search**

USPC D21/386, 389, 404, 468, 470, 471,
D21/484-505; 446/69, 85, 102-128;
434/208, 259, 403; 273/153, 156, 160;
D25/113-116, 118

CPC A63H 33/00; A63H 33/04; A63H 33/06;
A63H 33/08; A63H 33/084; A63H 33/086;
A63H 33/088; A63H 33/10; A63H 33/12;
A63H 33/105; A63H 33/108; A63H 3/00;
A63H 3/16; A63H 3/46

See application file for complete search history.

(56) **References Cited**

U.S. PATENT DOCUMENTS

2,119,921 A * 6/1938 Levy A63H 33/062
446/116
3,854,237 A * 12/1974 Loth A63H 33/108
446/122

4,458,441 A * 7/1984 Bril A63H 33/12
446/103
D290,476 S * 6/1987 Ryaa D21/497
D314,991 S * 2/1991 Ryaa D21/485
D326,877 S * 6/1992 Andersen D21/503
D641,053 S * 7/2011 Sidenius D21/494
D672,402 S * 12/2012 Macadam D21/491
D672,406 S * 12/2012 Sas D21/503
D688,328 S * 8/2013 Holm D21/484
D688,753 S * 8/2013 Holm D21/484
D695,851 S * 12/2013 Holm D21/504
D701,925 S * 4/2014 Jensen D21/504

* cited by examiner

Primary Examiner — Cynthia M Chin

(74) *Attorney, Agent, or Firm* — Day Pitney LLP

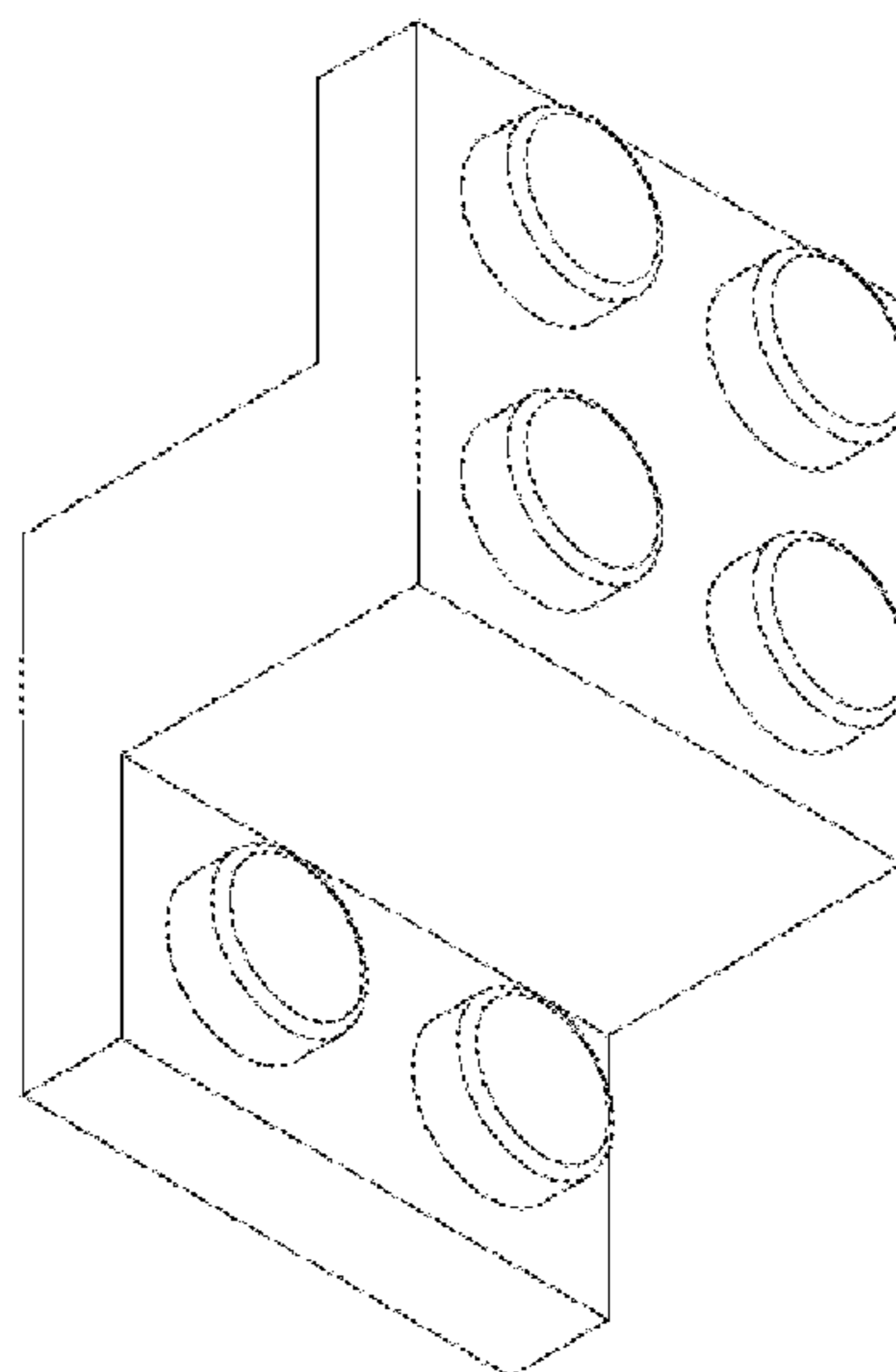
(57) **CLAIM**

The ornamental design for a building block for a toy building set, as shown and described.

DESCRIPTION

FIG. 1 is a top plan view of my ornamental design for a building block for a toy building set;
FIG. 2 is a top, left perspective view thereof;
FIG. 3 is a front side view thereof;
FIG. 4 is a rear side view thereof;
FIG. 5 is left side view thereof;
FIG. 6 is a bottom plan view thereof; and,
FIG. 7 is a bottom, right perspective view thereof.
The broken lines in the drawings depict portions of the building block for a toy building set that form no part of the claimed design.

1 Claim, 7 Drawing Sheets



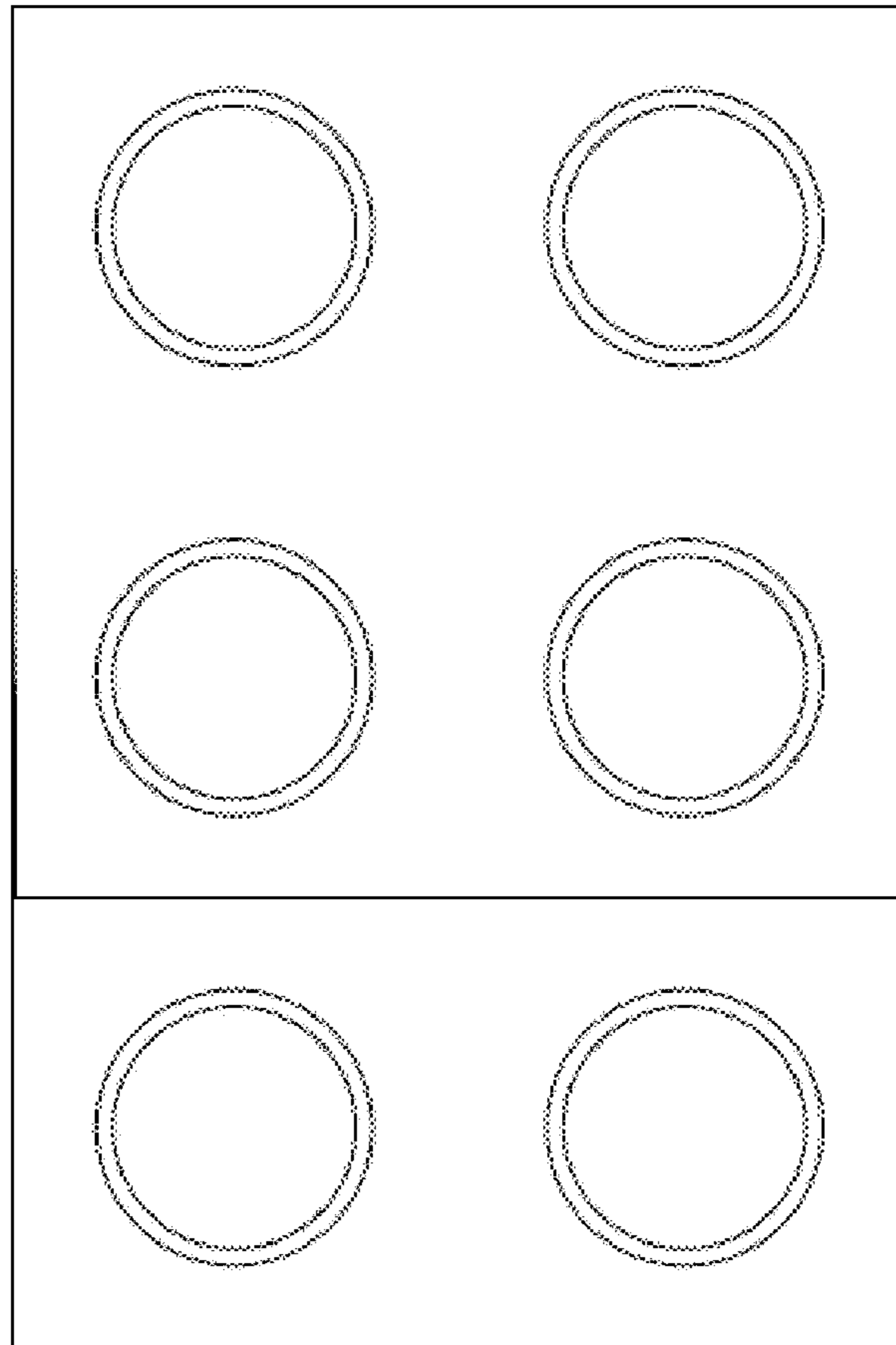


FIG. 1

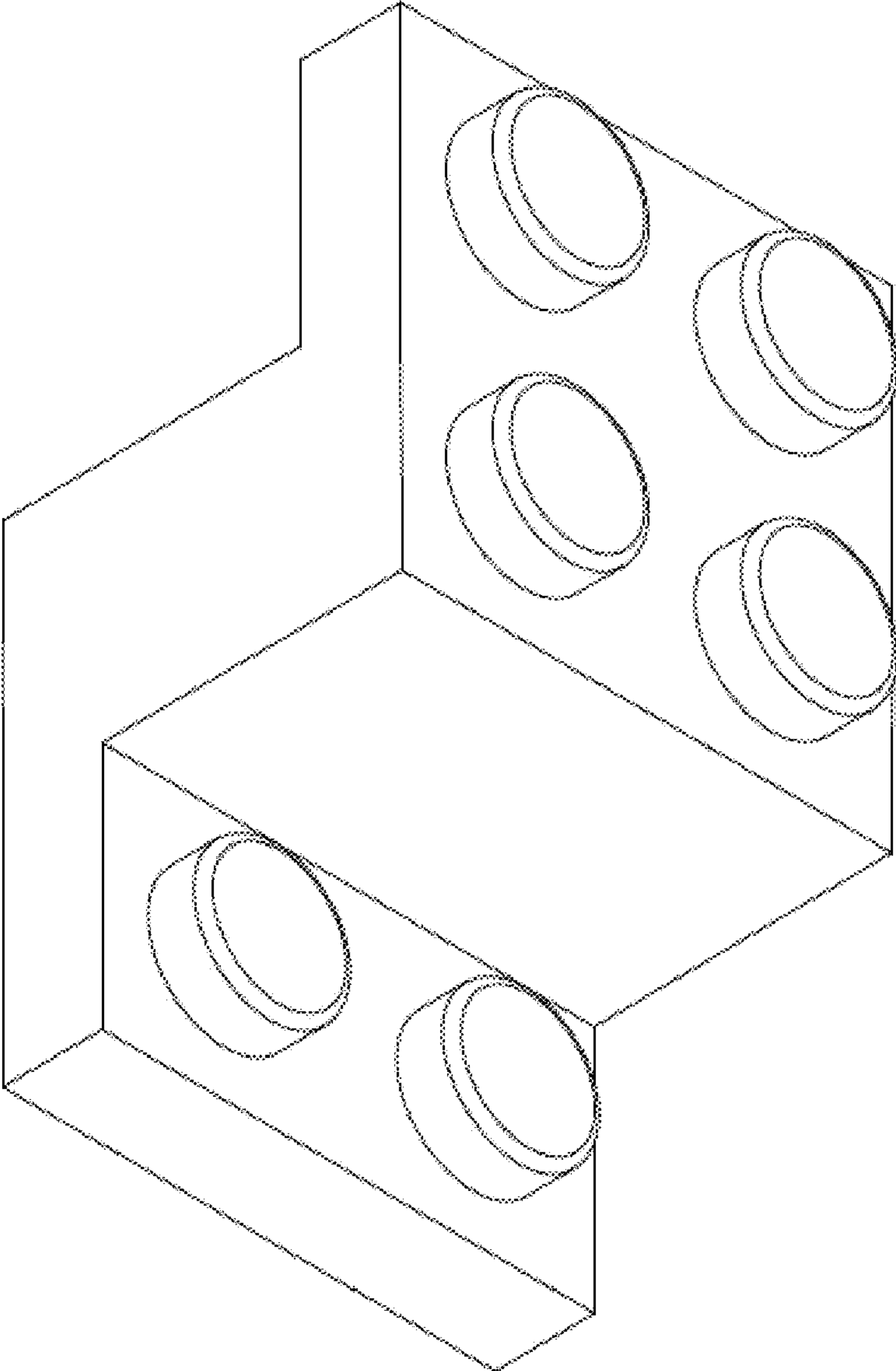


FIG. 2

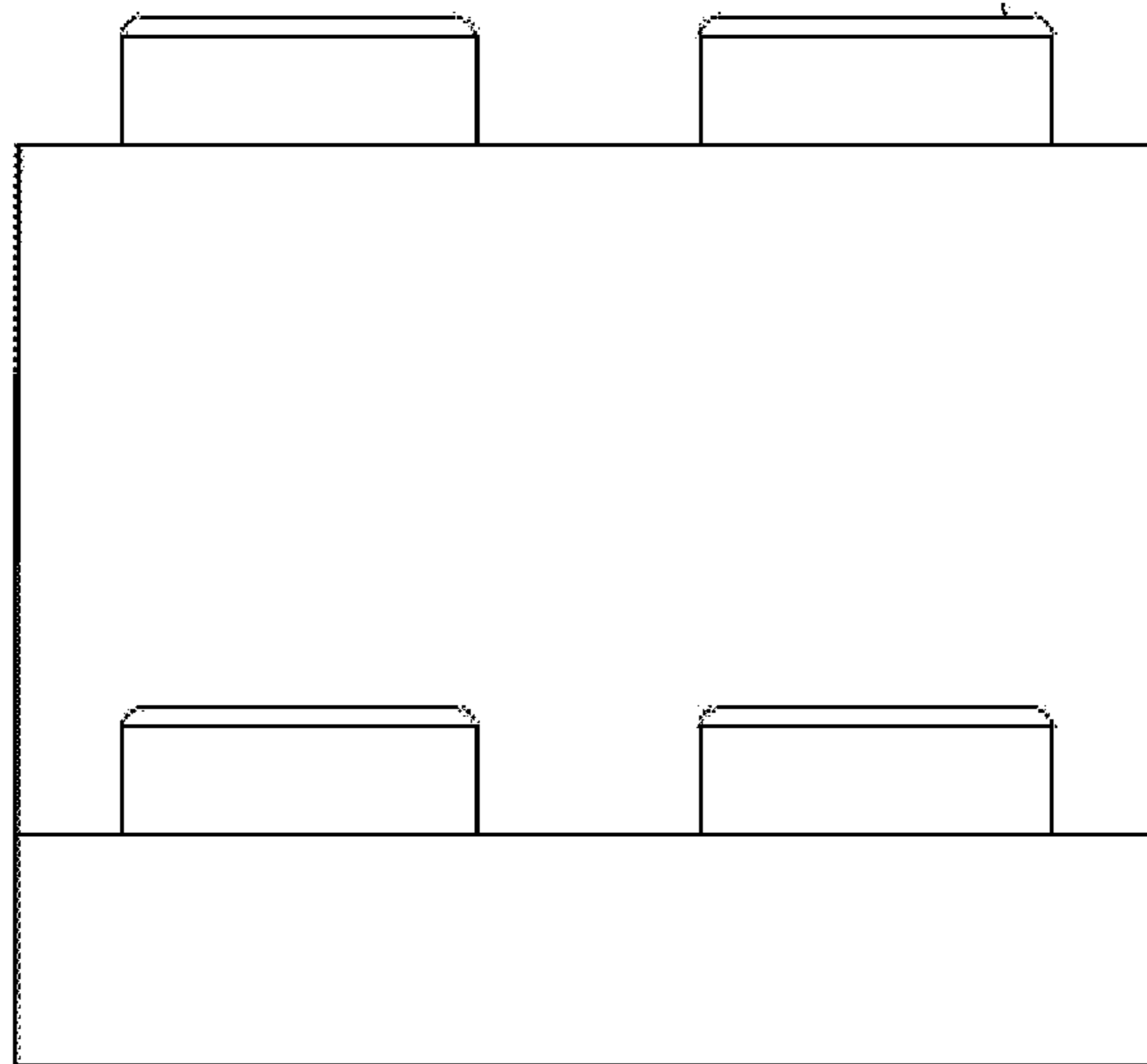


FIG. 3

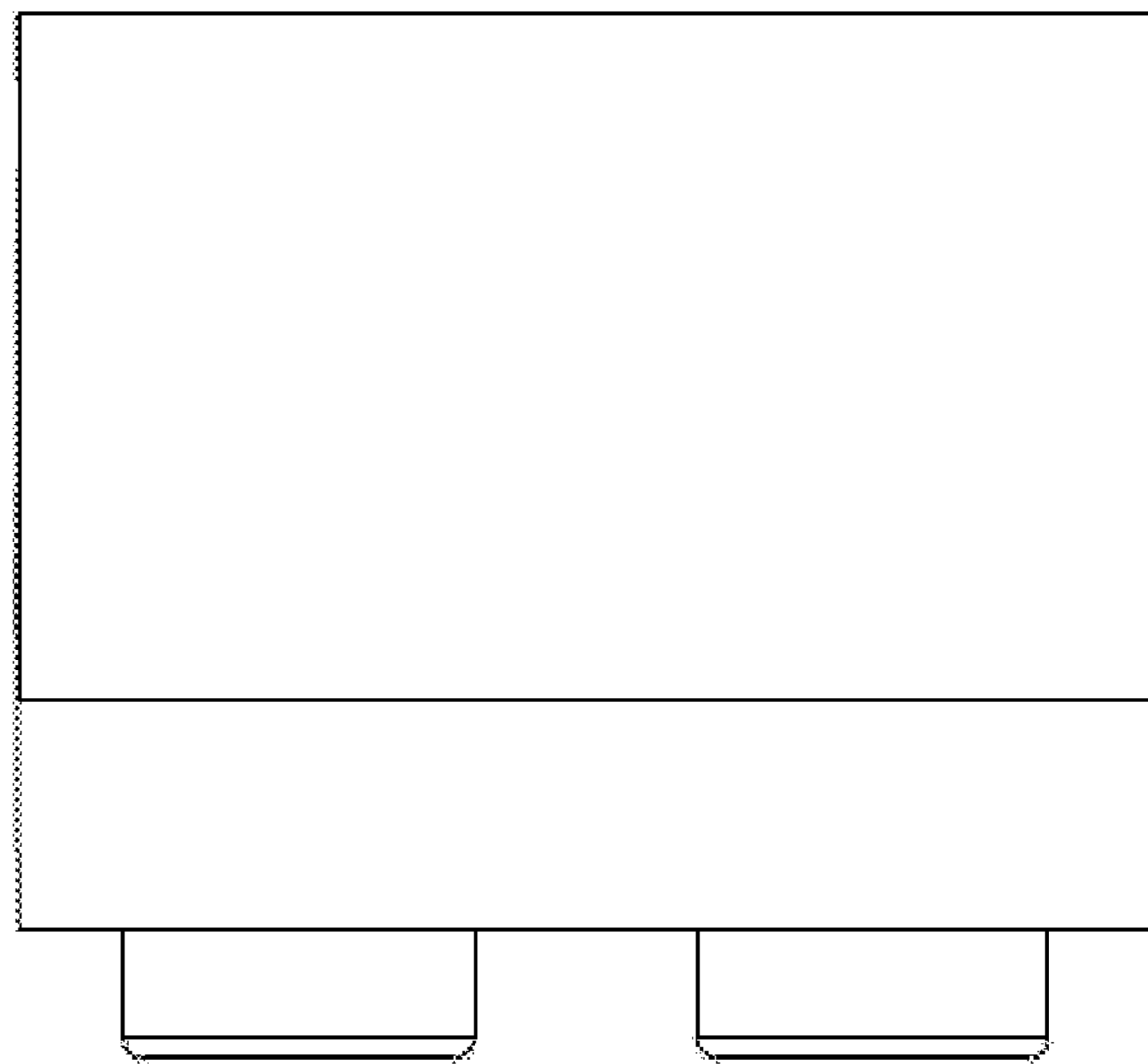


FIG. 4

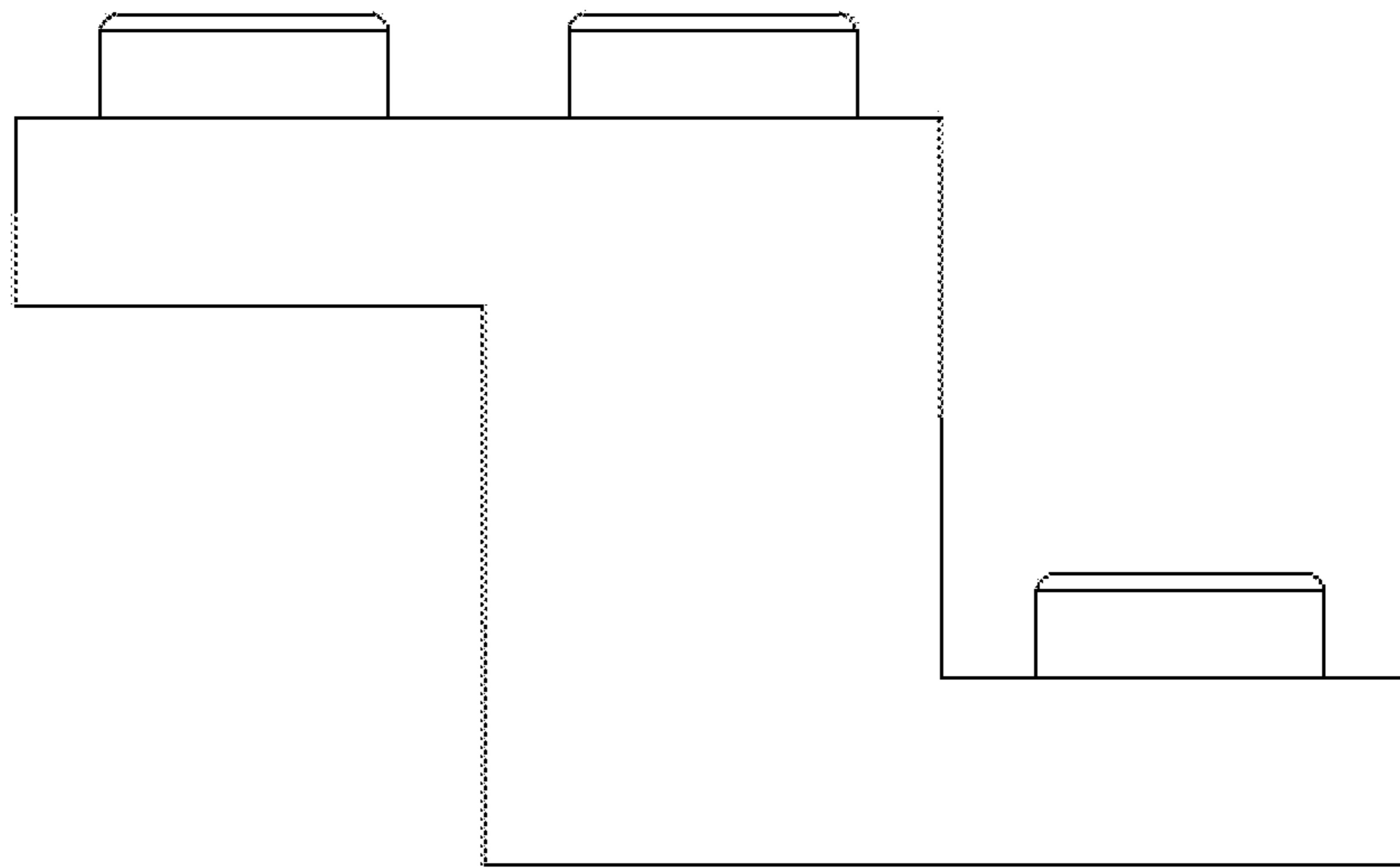


FIG. 5

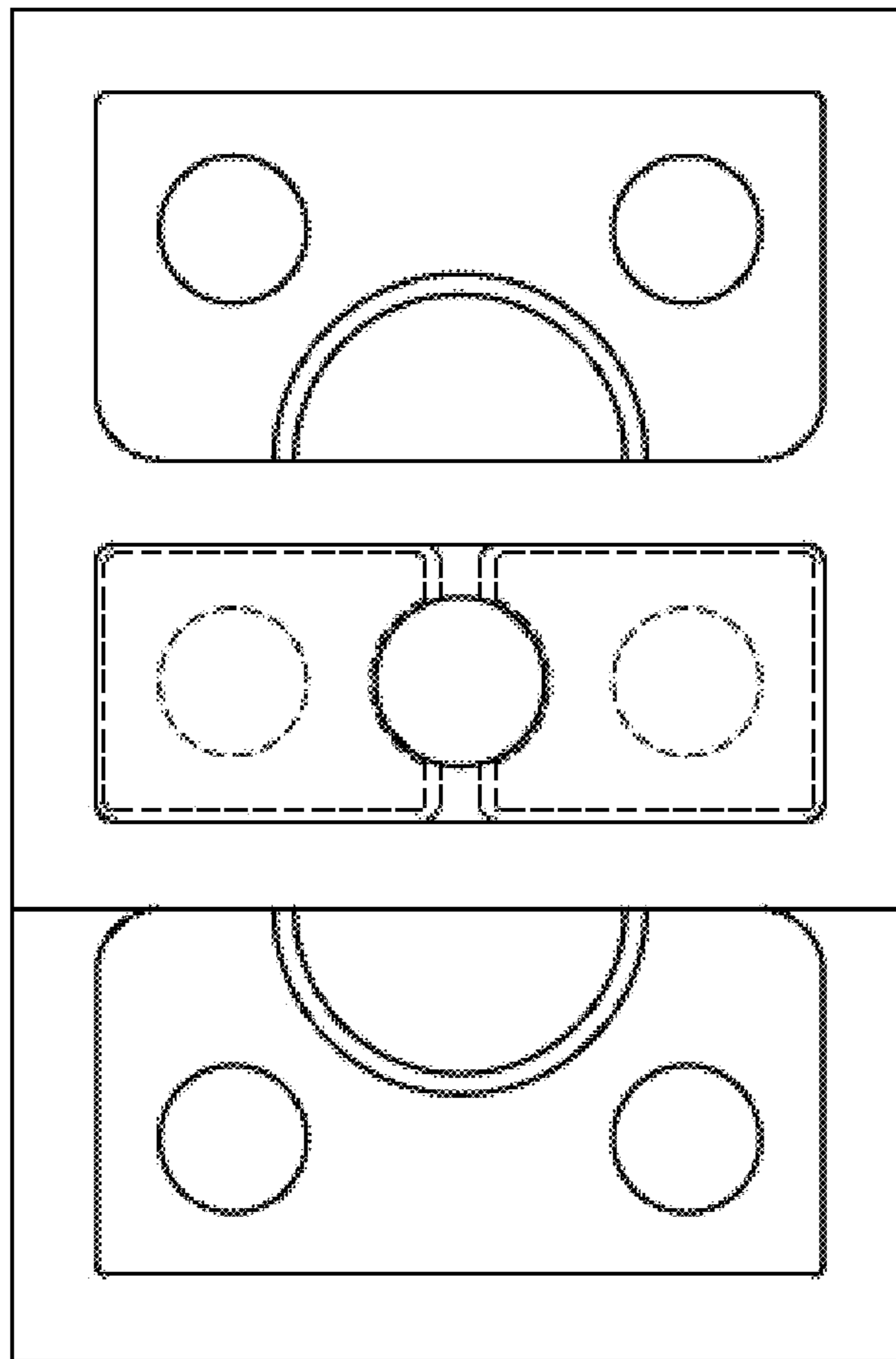


FIG. 6

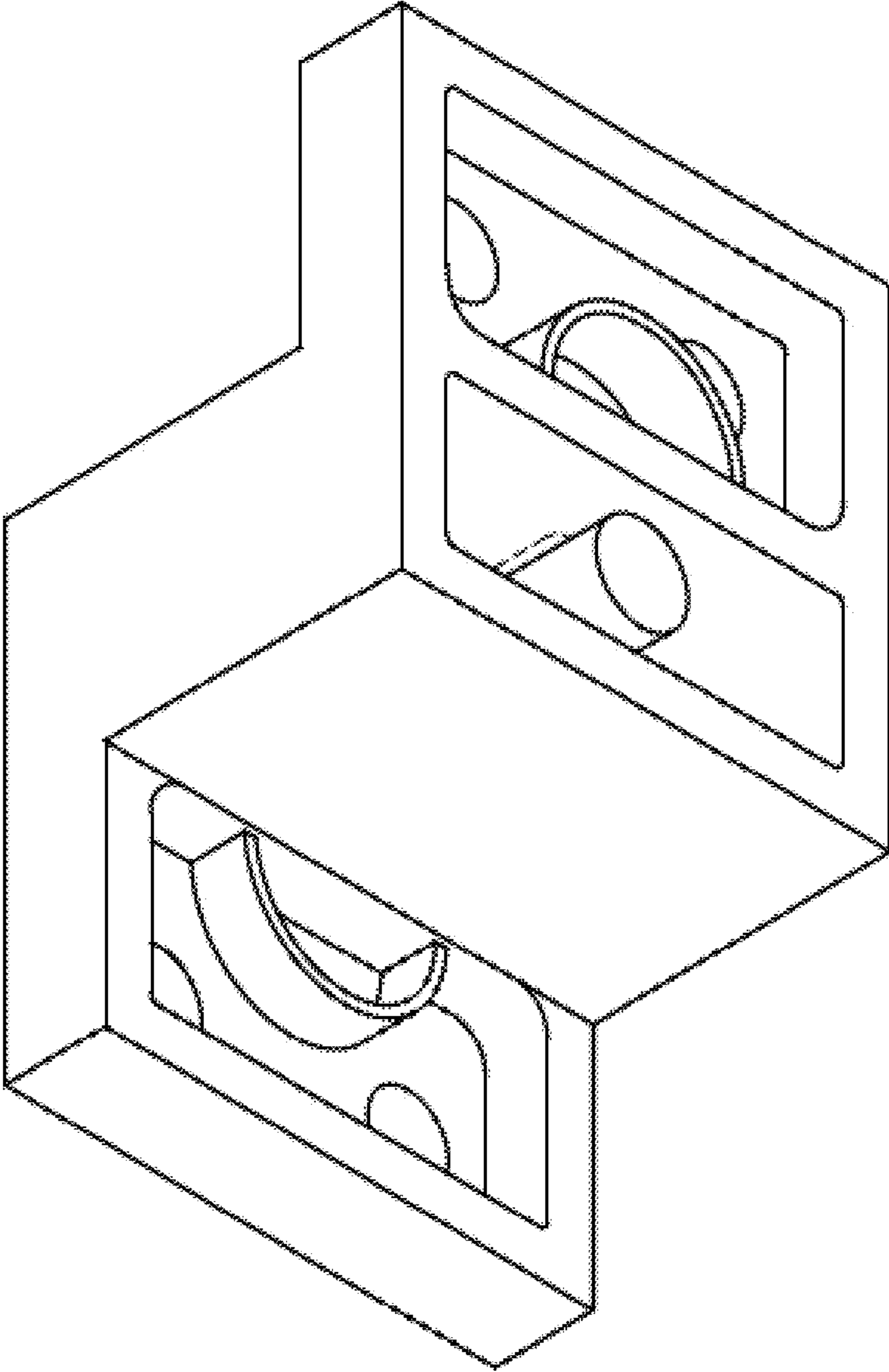


FIG. 7