



US00D771198S

(12) **United States Design Patent** (10) **Patent No.:** **US D771,198 S**
Ryaa (45) **Date of Patent:** **** Nov. 8, 2016**

(54) **BUILDING BLOCK FOR A TOY BUILDING SET**

(71) Applicant: **LEGO A/S**, Billund (DK)

(72) Inventor: **Jan Ryaa**, Billund (DK)

(73) Assignee: **LEGO A/S**, Billund (DK)

(**) Term: **15 Years**

(21) Appl. No.: **29/527,917**

(22) Filed: **May 22, 2015**

(30) **Foreign Application Priority Data**

Nov. 25, 2014 (DK) 854585501

(51) **LOC (10) Cl.** **21-01**

(52) **U.S. Cl.**
USPC **D21/500**

(58) **Field of Classification Search**

USPC D21/333, 373, 386, 389, 404, 468, 470,
D21/471, 475, 484-505; 446/69, 85,
446/102-128; 434/167, 208, 259, 403;
273/153, 156, 160

CPC A63H 33/04; A63H 33/06; A63H 33/062;
A63H 33/08; A63H 33/086; A63H 33/088;
A63H 33/10; A63H 33/101; A63H 33/105;
A63H 33/108; A63H 33/12; A63F 9/12;
A63F 9/1224

See application file for complete search history.

(56) **References Cited**

U.S. PATENT DOCUMENTS

D333,850 S *	3/1993	Olsen	D21/503
D376,395 S *	12/1996	Olsen	D21/503
D409,683 S *	5/1999	Toft	D21/503
D510,606 S *	10/2005	Paterson	D21/484
D515,634 S *	2/2006	Paterson	D21/500
D667,895 S *	9/2012	Rya	D21/500
D695,849 S *	12/2013	Andersen	D21/501

* cited by examiner

Primary Examiner — Cynthia M Chin

(74) *Attorney, Agent, or Firm* — Day Pitney LLP

(57) **CLAIM**

The ornamental design for a building block for a toy building set, as shown and described.

DESCRIPTION

FIG. 1 is a top plan view of my ornamental design for a building block for a toy building set;

FIG. 2 is a top, left perspective view thereof;

FIG. 3 is a right side view thereof;

FIG. 4 is a left side view thereof;

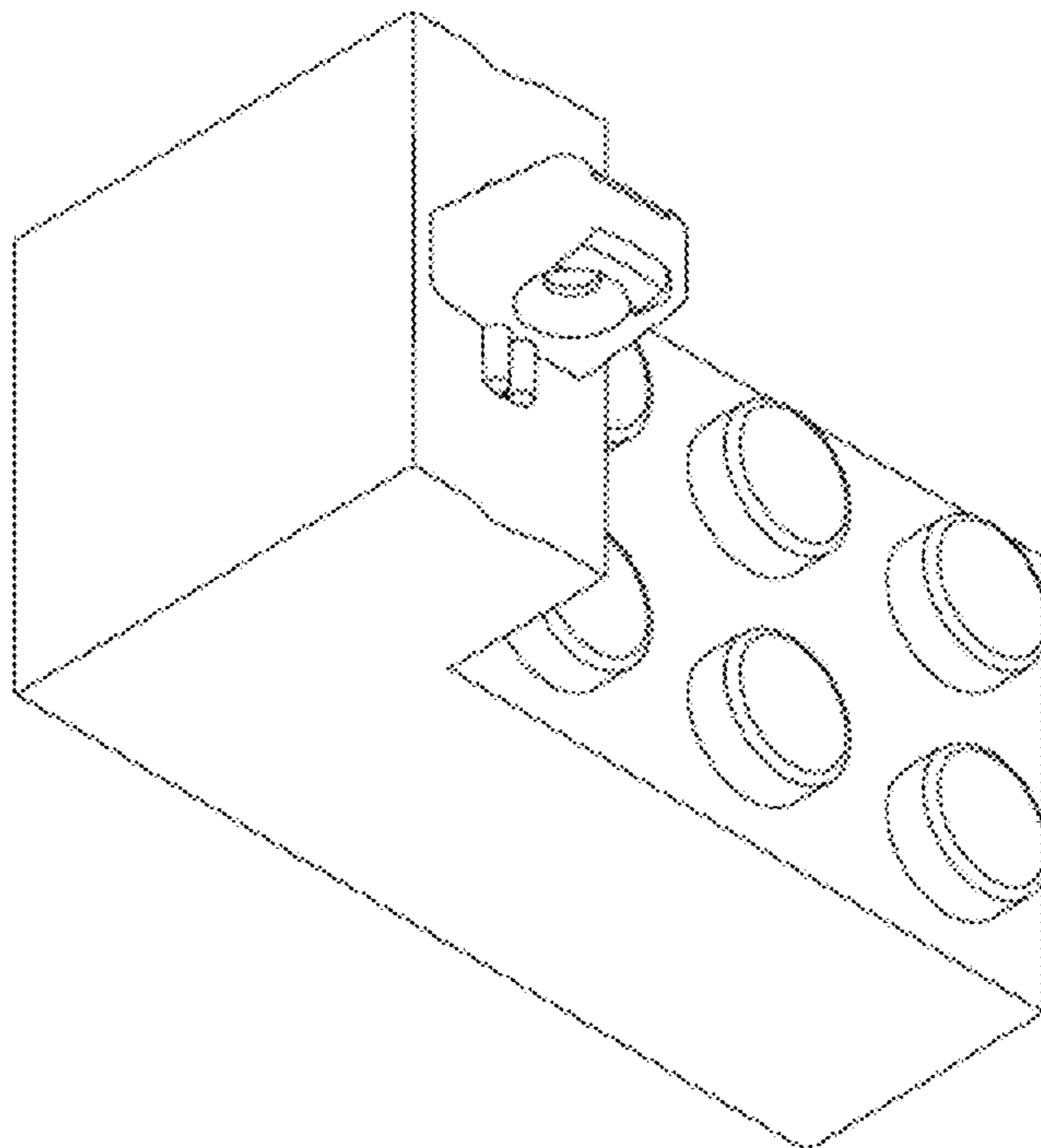
FIG. 5 is a front side view thereof;

FIG. 6 is a bottom plan view thereof; and,

FIG. 7 is a bottom, rear perspective view thereof.

The broken lines in the drawings depict portions of the building block for a toy building set that form no part of the claimed design.

1 Claim, 7 Drawing Sheets



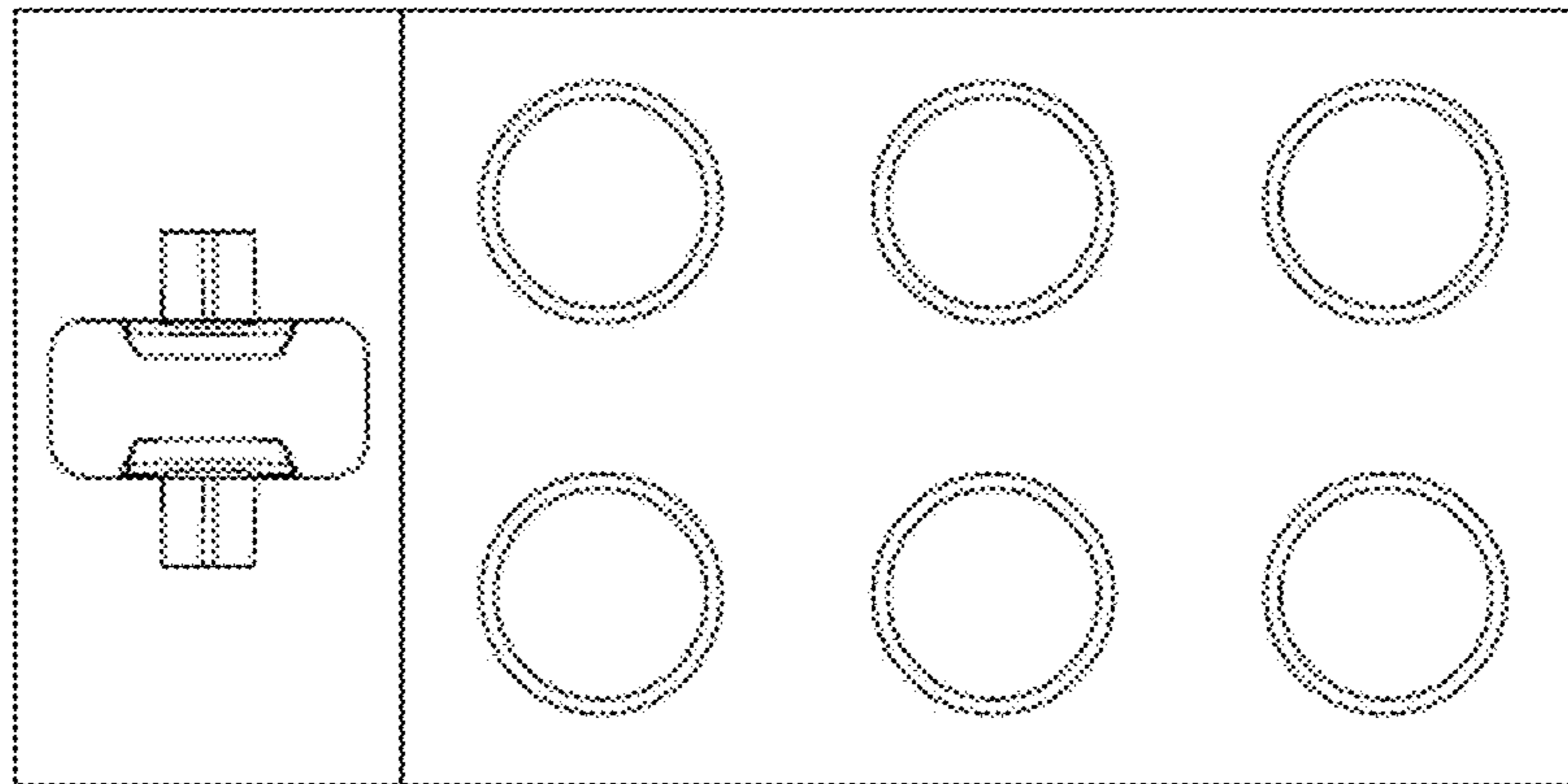


FIG. 1

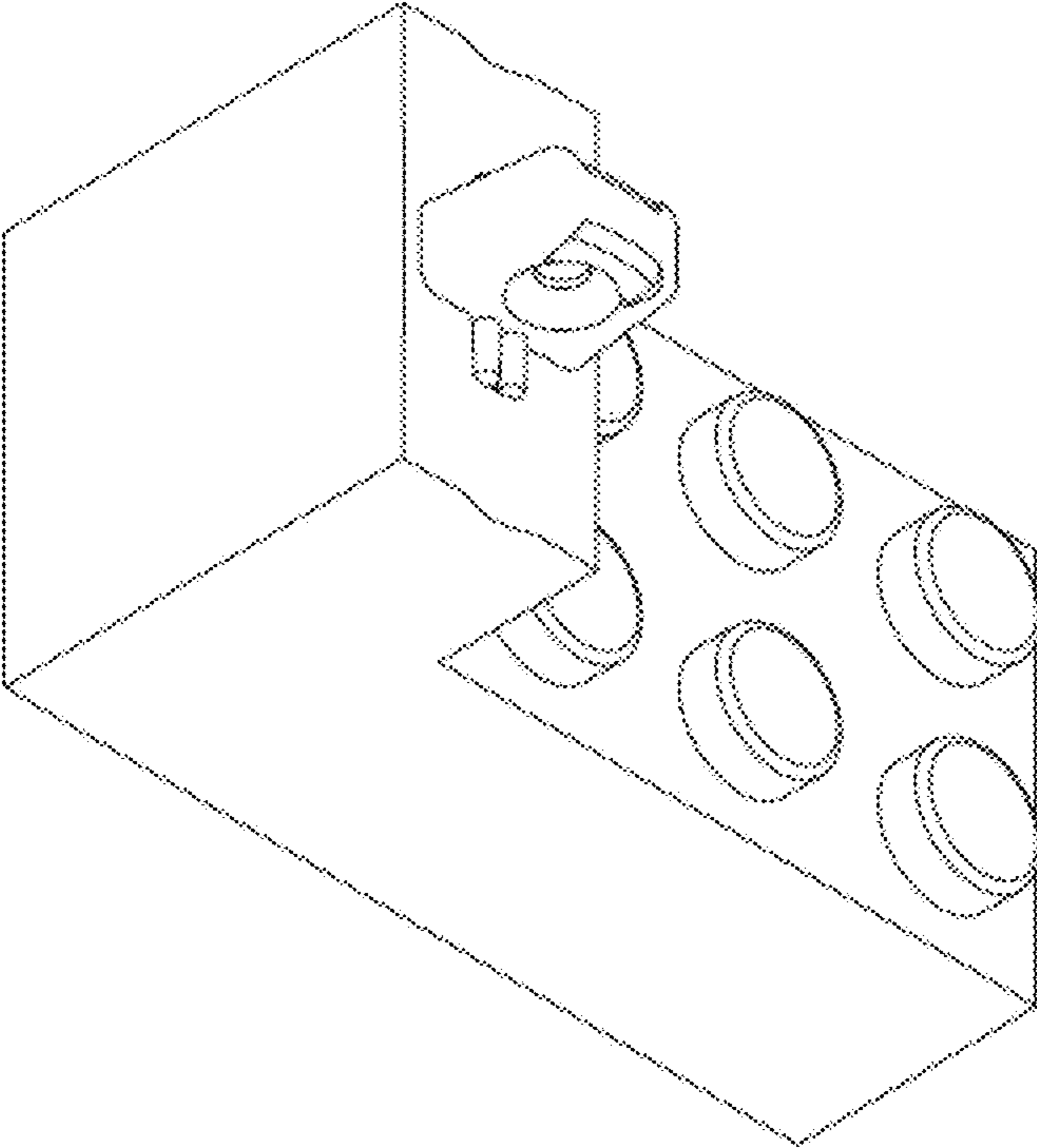


FIG. 2

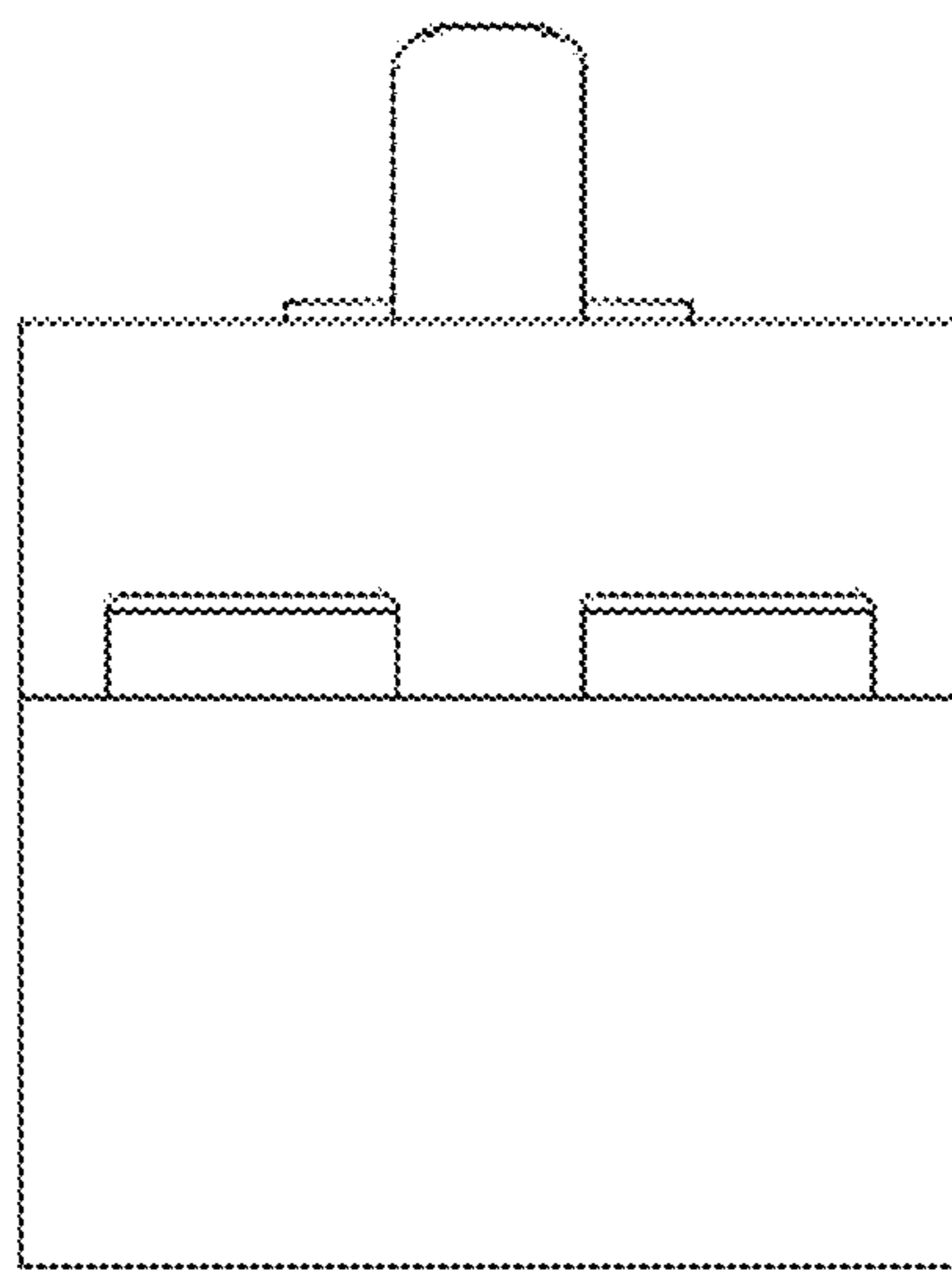


FIG. 3

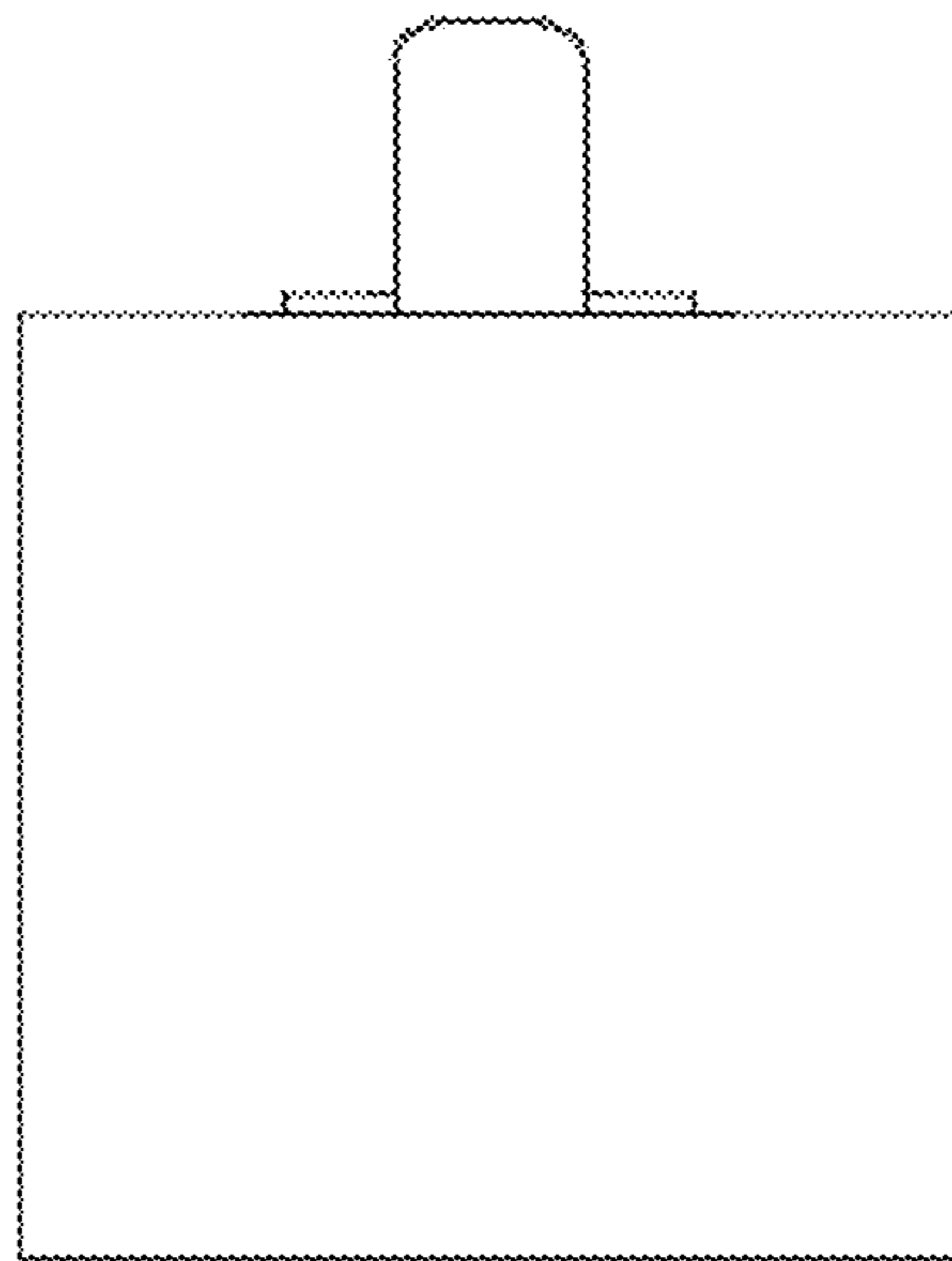


FIG. 4

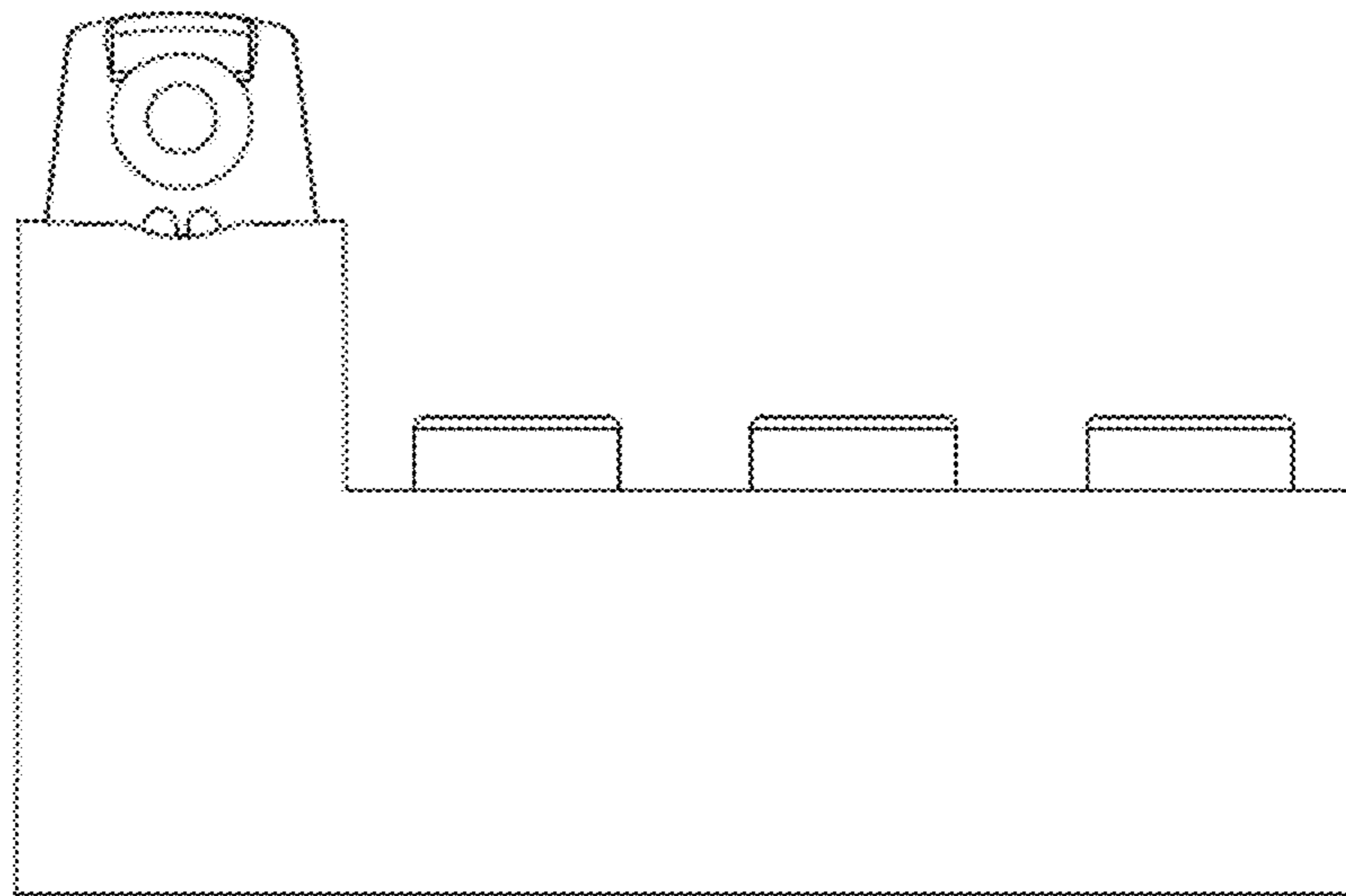


FIG. 5

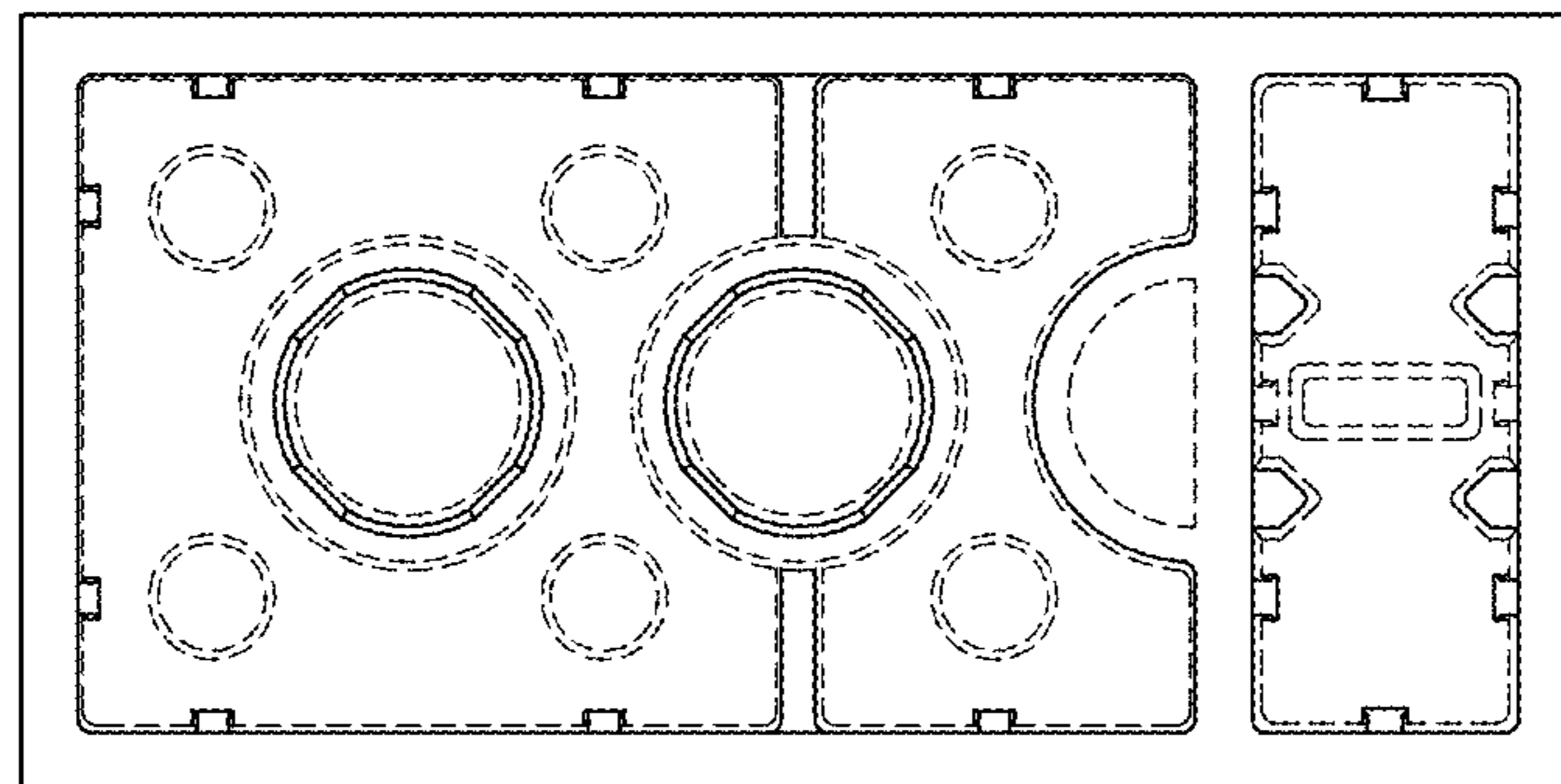


FIG.6

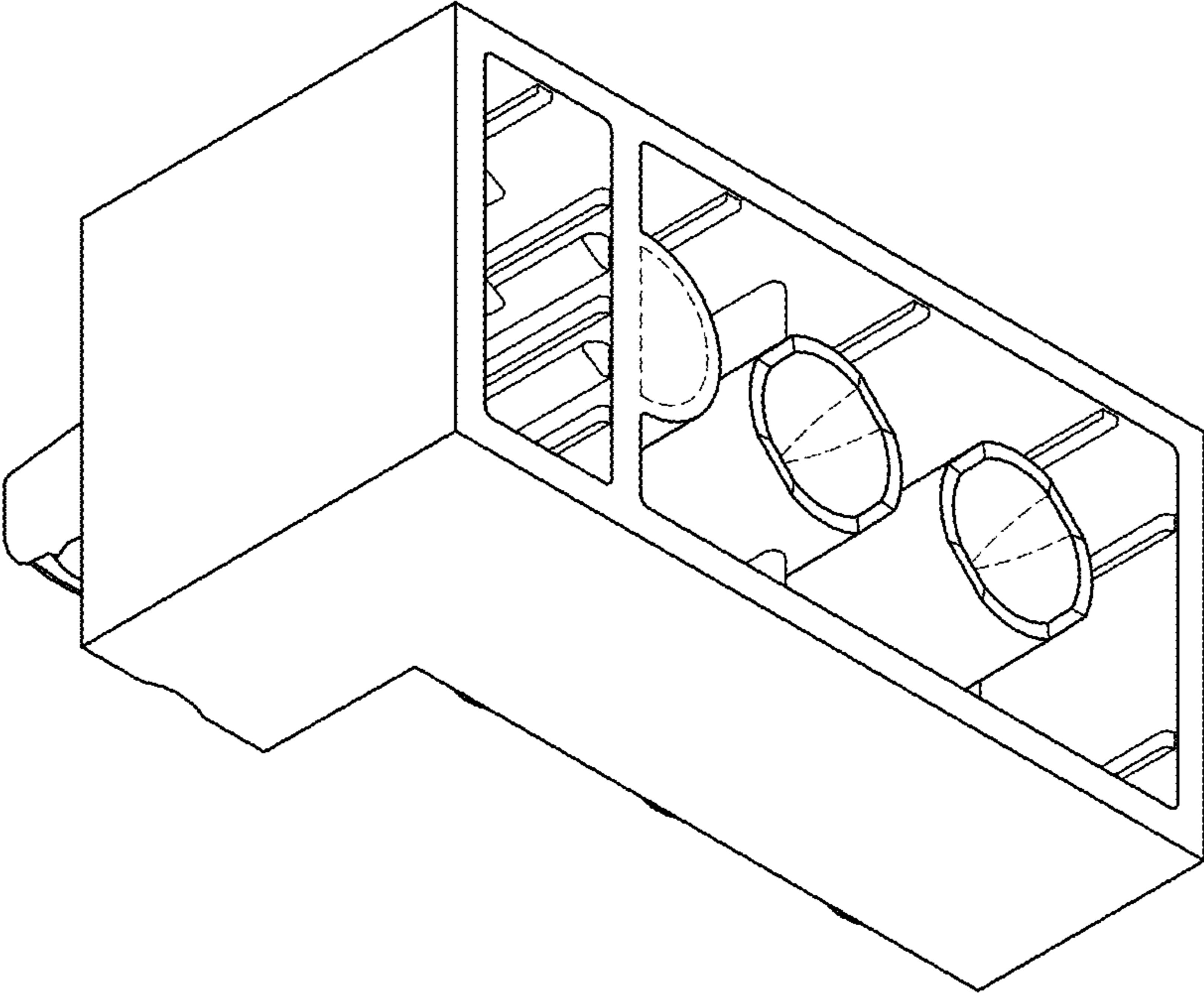


FIG. 7