



US00D771196S

(12) **United States Design Patent** (10) **Patent No.:** **US D771,196 S**
Chen (45) **Date of Patent:** **** Nov. 8, 2016**

(54) **DRIFTING KART**

(56) **References Cited**

(71) Applicant: **Robert (Wei-Pin) Chen**, San Marino, CA (US)

U.S. PATENT DOCUMENTS

(72) Inventor: **Robert (Wei-Pin) Chen**, San Marino, CA (US)

3,533,484 A 10/1970 Wood
D246,198 S 10/1977 Rose
D249,496 S 9/1978 Morgan
D252,714 S 8/1979 Tidwell
4,281,844 A * 8/1981 Jackman B62K 9/02
280/263

(73) Assignee: **RAZOR USA LLC**, Cerritos, CA (US)

4,403,673 A 9/1983 Ball
D276,058 S 10/1984 Rogers
D280,916 S 10/1985 Castle
D320,420 S 10/1991 Dupont
D320,586 S 10/1991 Tellinghuisen
5,257,671 A 11/1993 Watkins
5,265,690 A * 11/1993 Amundsen B62D 21/183
180/311

(**) Term: **15 Years**

(21) Appl. No.: **29/533,679**

(22) Filed: **Jul. 21, 2015**

5,628,379 A 5/1997 Watkins

(Continued)

Related U.S. Application Data

FOREIGN PATENT DOCUMENTS

(63) Continuation of application No. 29/492,872, filed on Jun. 3, 2014, now abandoned.

CN 2936826 8/2007
CN 200977859 11/2007

(51) **LOC (10) Cl.** **21-01**

(52) **U.S. Cl.**

USPC **D21/424**

(58) **Field of Classification Search**

USPC D21/419, 423, 424, 425, 426, 427, 428;
280/87.01, 87.021, 218, 224, 225, 232,
280/233, 242.1

CPC A63G 13/00; A63G 13/06; A63G 13/10;
A63G 15/00; A63G 15/02; A63G 15/04;
A63G 19/00; A63G 19/02; A63G 19/04;
A63G 19/06; A63G 19/08; A63G 19/16;
A63G 19/18; A63G 19/20; B62B 7/00;
B62B 7/002; B62B 7/004; B62B 7/006;
B62B 7/008; B62B 7/02; B62B 7/04; B62B
7/042; B62B 7/044; B62B 7/06; B62B 7/12;
B62B 7/126; B62B 7/14; B62B 7/142;
B62B 7/145; B62B 7/147; B62B 9/00;
B62B 9/28

Primary Examiner — Cynthia M Chin

(74) *Attorney, Agent, or Firm* — Knobbe, Martens, Olson & Bear LLP

(57)

CLAIM

The ornamental design for a drifting kart, as shown and described.

DESCRIPTION

FIG. 1 is a perspective view of a drifting kart which embodies my design.

FIG. 2 is a different perspective view of the drifting kart of FIG. 1.

FIG. 3 is a top view of the drifting kart of FIG. 1.

FIG. 4 is a left side view of the drifting kart of FIG. 1.

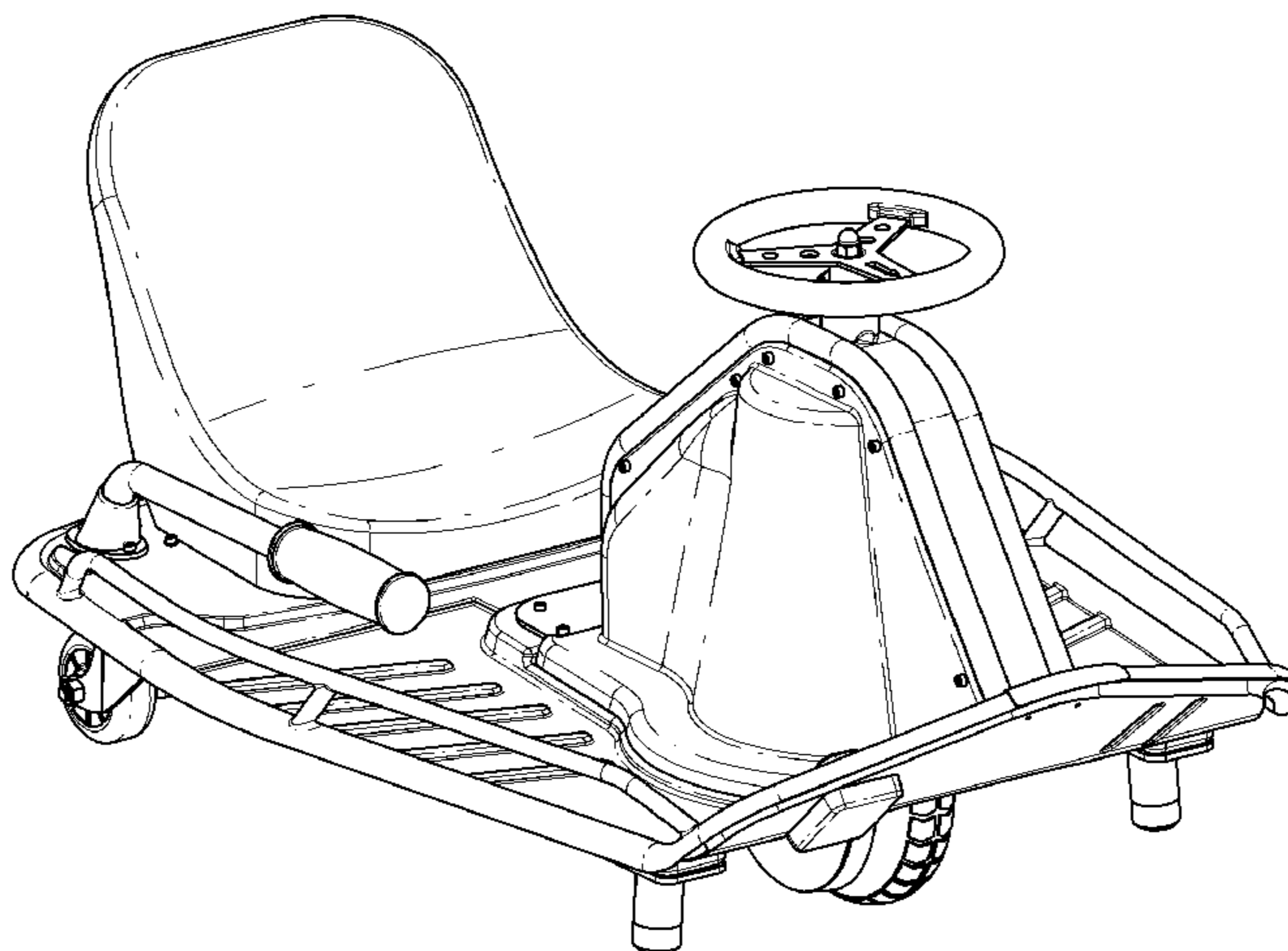
FIG. 5 is a right side view of the drifting kart of FIG. 1.

FIG. 6 is a front view of the drifting kart of FIG. 1; and,

FIG. 7 is a rear view of the drifting kart of FIG. 1.

See application file for complete search history.

1 Claim, 6 Drawing Sheets



(56)

References Cited

U.S. PATENT DOCUMENTS

5,904,218 A 5/1999 Watkins
 D469,819 S * 2/2003 Nicolle D21/426
 D483,420 S * 12/2003 DeLong D21/424
 D488,194 S * 4/2004 Fox D21/424
 D512,467 S * 12/2005 Hadley D21/424
 D562,914 S * 2/2008 Oveson D21/426
 D582,992 S 12/2008 Alais
 D611,106 S * 3/2010 van Beek D21/424
 7,712,558 B2 5/2010 Helson et al.
 7,823,675 B2* 11/2010 Kermani A63G 25/00
 180/210

8,356,686 B2* 1/2013 Kermani A63G 25/00
 180/210
 8,365,850 B2 2/2013 Gal et al.
 D682,746 S * 5/2013 Doherty D12/112
 D692,505 S 10/2013 Jiang
 D692,506 S 10/2013 Jiang
 9,139,248 B2* 9/2015 Xiao B62K 19/02
 2004/0040769 A1 3/2004 Richey et al.
 2004/0199311 A1 10/2004 Aguilar et al.
 2007/0045022 A1 3/2007 Greig et al.
 2010/0032223 A1 2/2010 Kermani

* cited by examiner

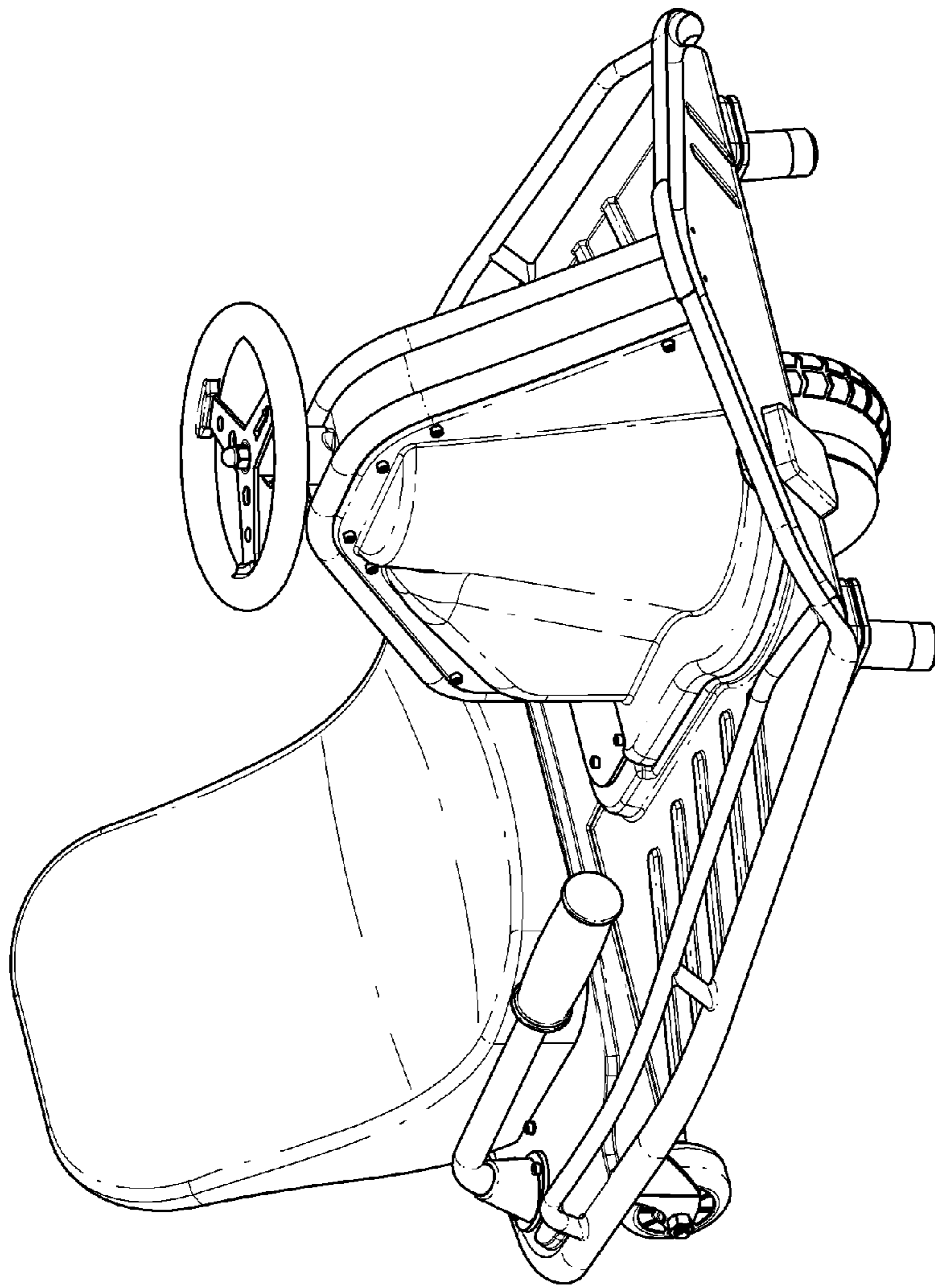


FIG. 1

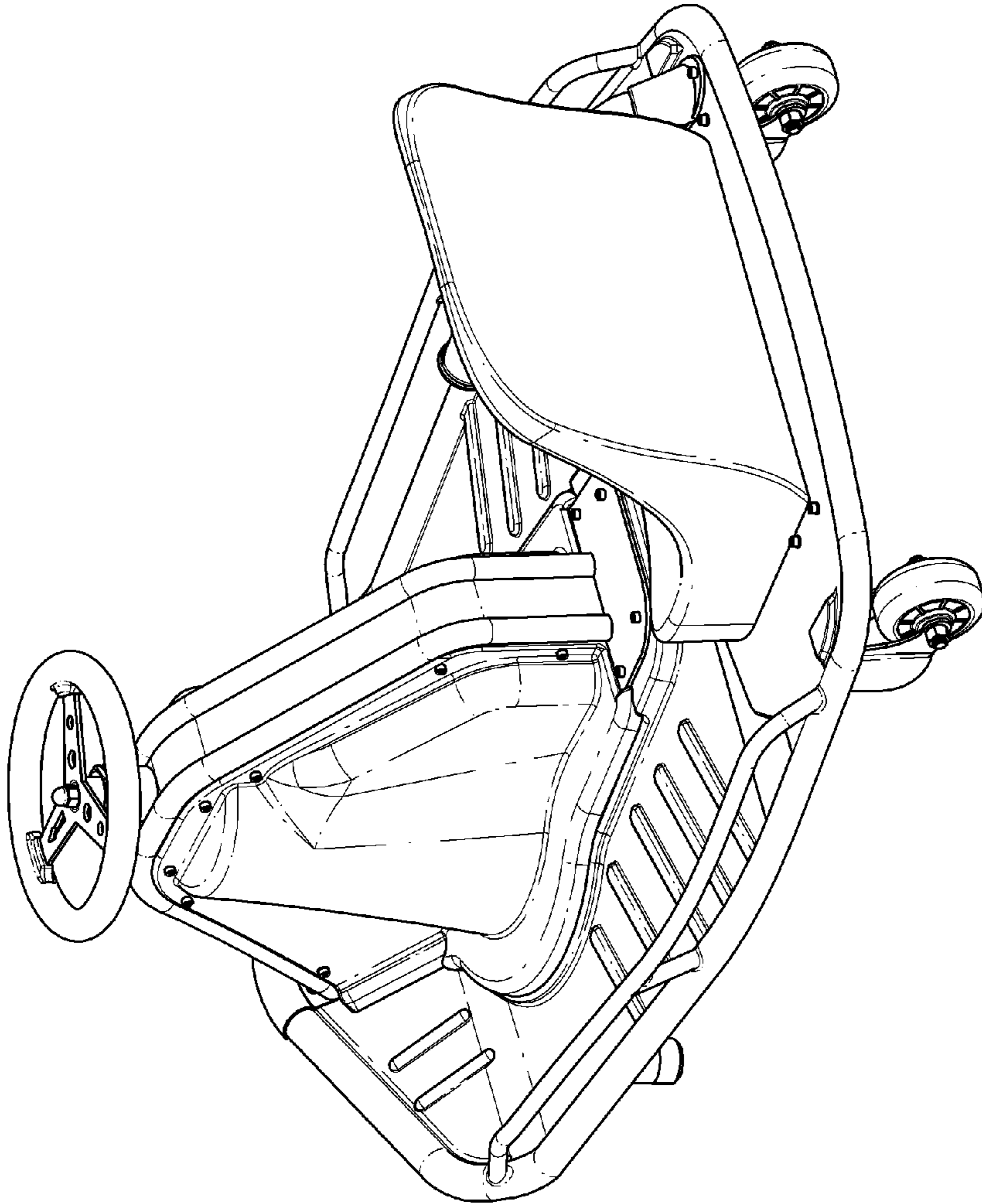


FIG. 2

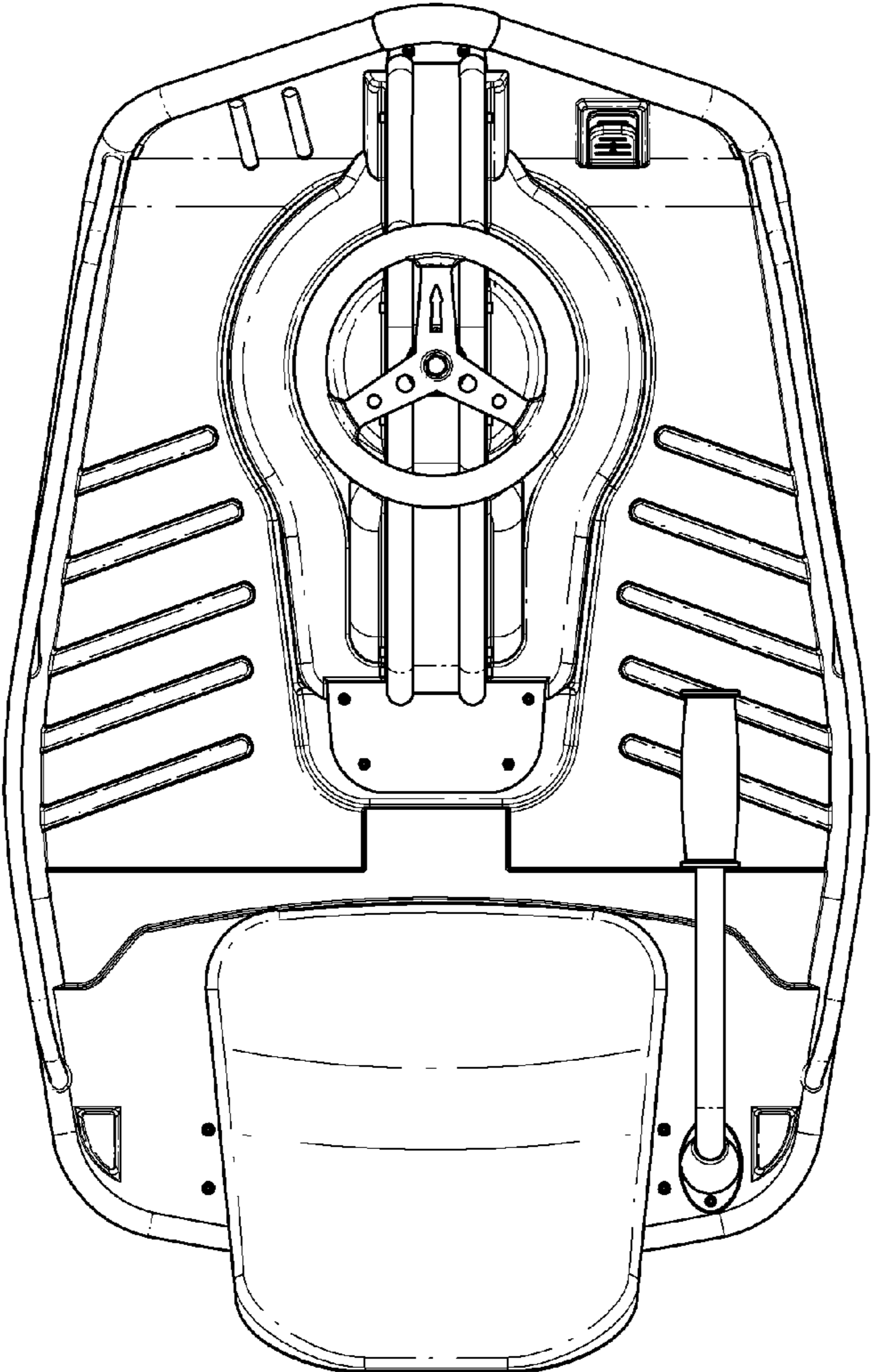


FIG. 3

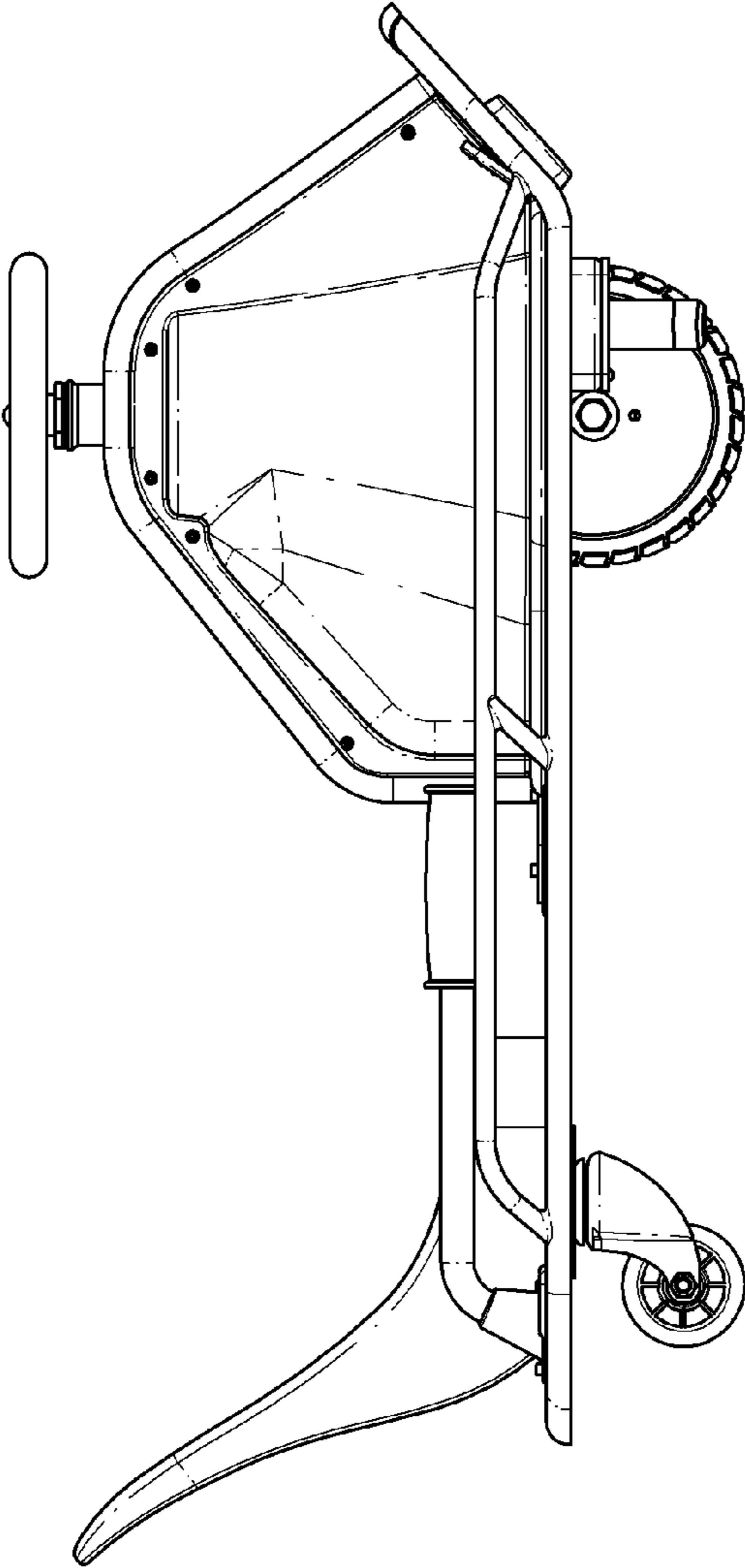


FIG. 4

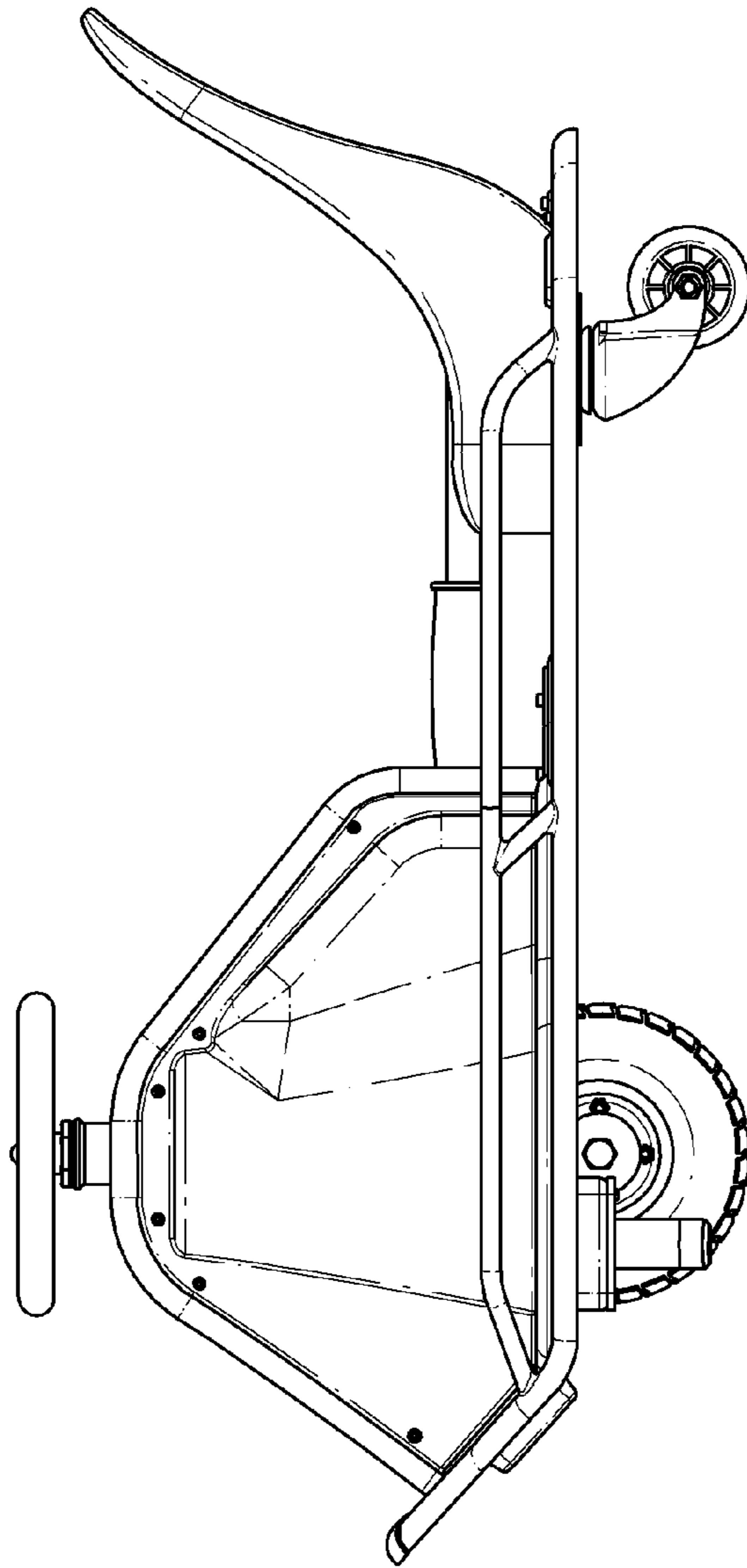


FIG. 5

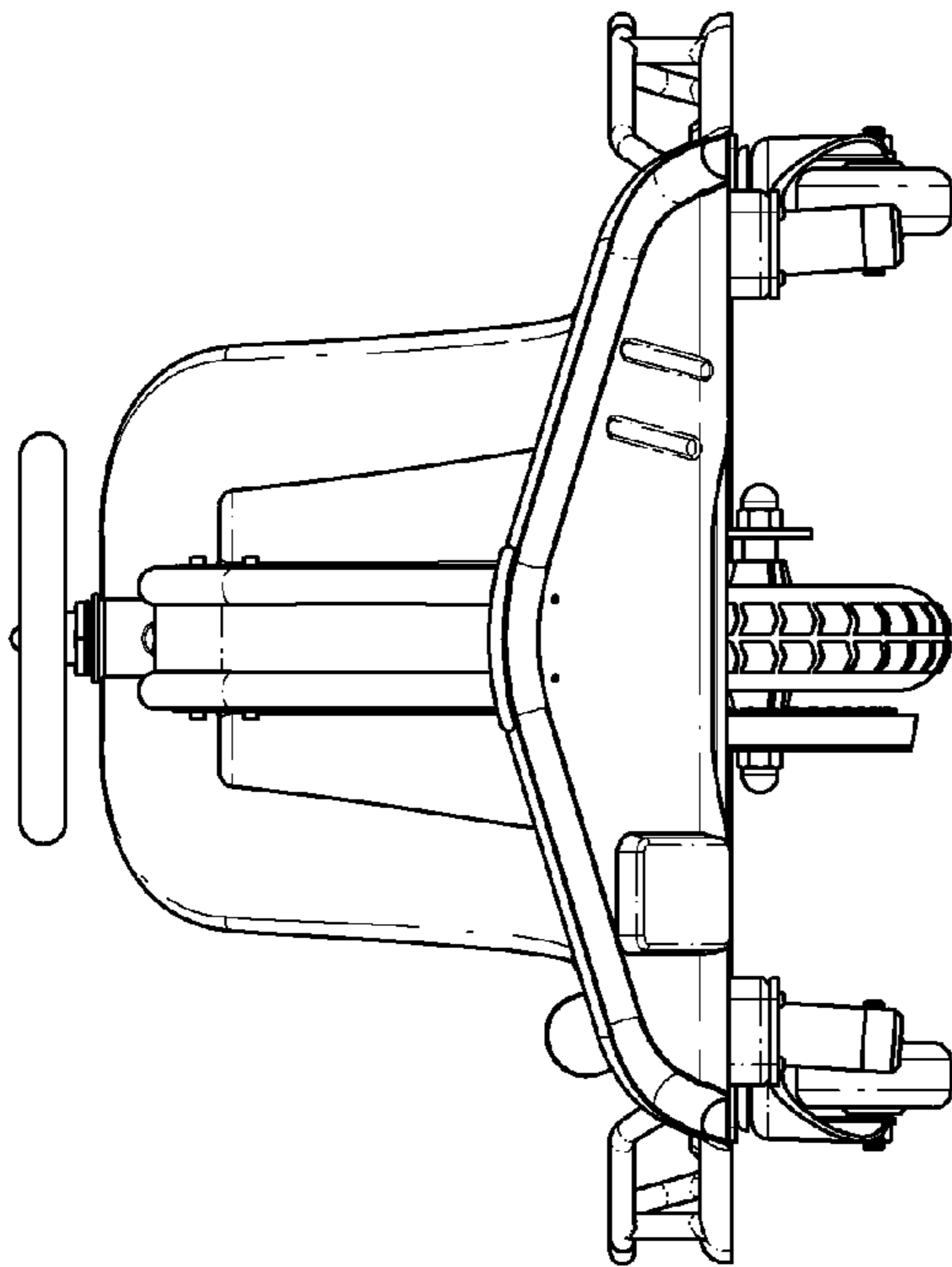


FIG. 6

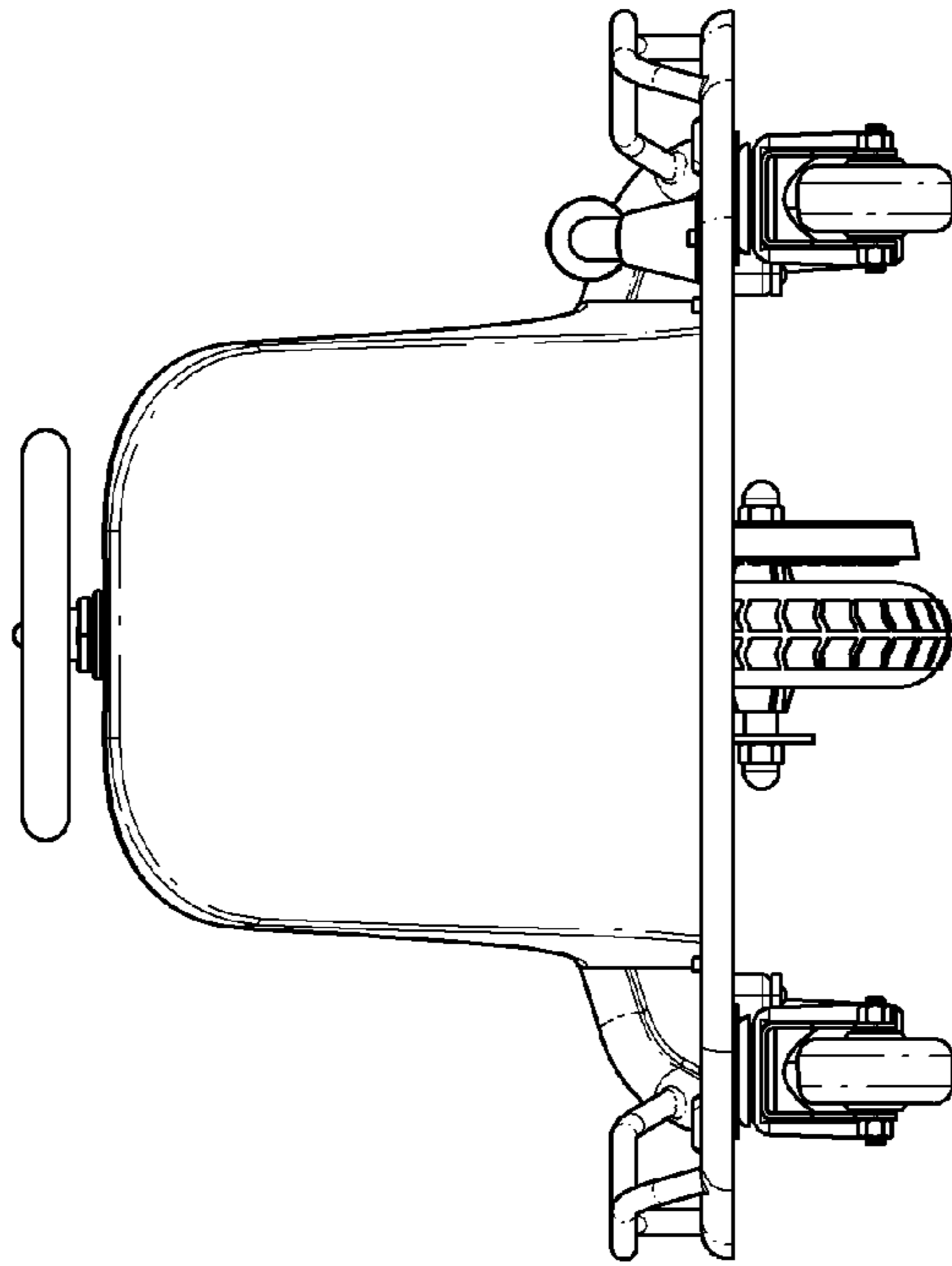


FIG. 7