



US00D771192S

(12) **United States Design Patent** (10) **Patent No.:** **US D771,192 S**
McKissick (45) **Date of Patent:** **** Nov. 8, 2016**

(54) **FINGER BASKETBALL GAME BOARD**

(71) Applicant: **Sylvester M. McKissick**, Little Rock, AR (US)

(72) Inventor: **Sylvester M. McKissick**, Little Rock, AR (US)

(**) Term: **14 Years**

(21) Appl. No.: **29/504,395**

(22) Filed: **Oct. 6, 2014**

(51) **LOC (10) Cl.** **21-01**

(52) **U.S. Cl.**
USPC **D21/339**; D21/341

(58) **Field of Classification Search**
USPC D21/334, 337-342, 355-359, 365, 318, D21/397; 273/242, 244-247, 259, 277, 287, 273/317.3, 108.1, 108.5, 118 D, 236-240, 273/283, 309, 441, 461; D6/406.1, 406.3, D6/406.4, 406.6; D19/86, 92, 95, 87, 113, D19/75, 77, 78, 80; 108/14, 62, 43, 67; 434/416, 247, 248, 251, 408, 413, 145, 434/430

CPC .. A63F 3/00; A63F 3/00003; A63F 3/00028; A63F 3/00041; A63F 3/00044; A63F 3/00047; A63F 3/00173; A63F 3/00176; A63F 3/00214; A63F 3/00261; A63F 3/00643; A63F 3/00646-3/00659; A63F 3/04; A63F 2003/00182; A63F 2003/00223; A63F 2003/00457; A63F 2003/0046; A63F 2003/00463; A63F 2003/00466; A63F 2003/0047; A63F 2003/00485; A63F 2003/0492; A63F 2003/00507; A63F 2003/00514; A63F 2003/00533; A63F 2003/00552; A63F 2003/00558; A63F 2003/00943; A63F 2003/00946; A63F 2003/00952-2003/00962; A63F 2003/00974; A63F 7/00; A63F 7/06; A63F 7/0612; A63F 7/0604; A63F 7/0616-7/0636; A63F 7/30; A63F 7/36; A63F 7/0005; A63F 7/0017; A63F 7/0023; A63F 2007/0035; A63F 2007/367; A63F 2007/3674

See application file for complete search history.

(56) **References Cited**

U.S. PATENT DOCUMENTS

480,983	A *	8/1892	Wolf	A63F 7/025 273/111
565,235	A *	8/1896	Sargent	A63F 7/0672 273/108.1
D30,640	S *	4/1899	Kelley	D21/341
716,435	A *	12/1902	Lackner	A63F 3/00895 273/287
1,433,335	A *	10/1922	Bensch	A63F 7/0612 273/317.3
1,523,686	A *	1/1925	Davies	A63F 7/0612 273/317.3
1,532,069	A *	3/1925	Ortiz	A63F 3/0023 273/148 R
1,608,721	A *	11/1926	Clark	A63F 7/0612 273/317.3
D94,173	S *	12/1934	Vogelleitner	D21/338
2,431,552	A *	11/1947	Gosnell	A63F 7/0612 273/317.3
D169,672	S *	5/1953	Hopkins	273/109
D176,832	S *	1/1956	Sweeny	D21/341
D192,471	S *	3/1962	Klein	D21/341

(Continued)

Primary Examiner — Susan Moon Lee

(74) *Attorney, Agent, or Firm* — Joe D. Calhoun

(57) **CLAIM**

I claim the ornamental design for a finger basketball game board, as shown and described.

DESCRIPTION

FIG. 1 is an upper perspective view of a finger basketball game board.

FIG. 2 is a top plan view of the game board of FIG. 1.

FIG. 3 is a bottom plan view of the game board of FIG. 1.

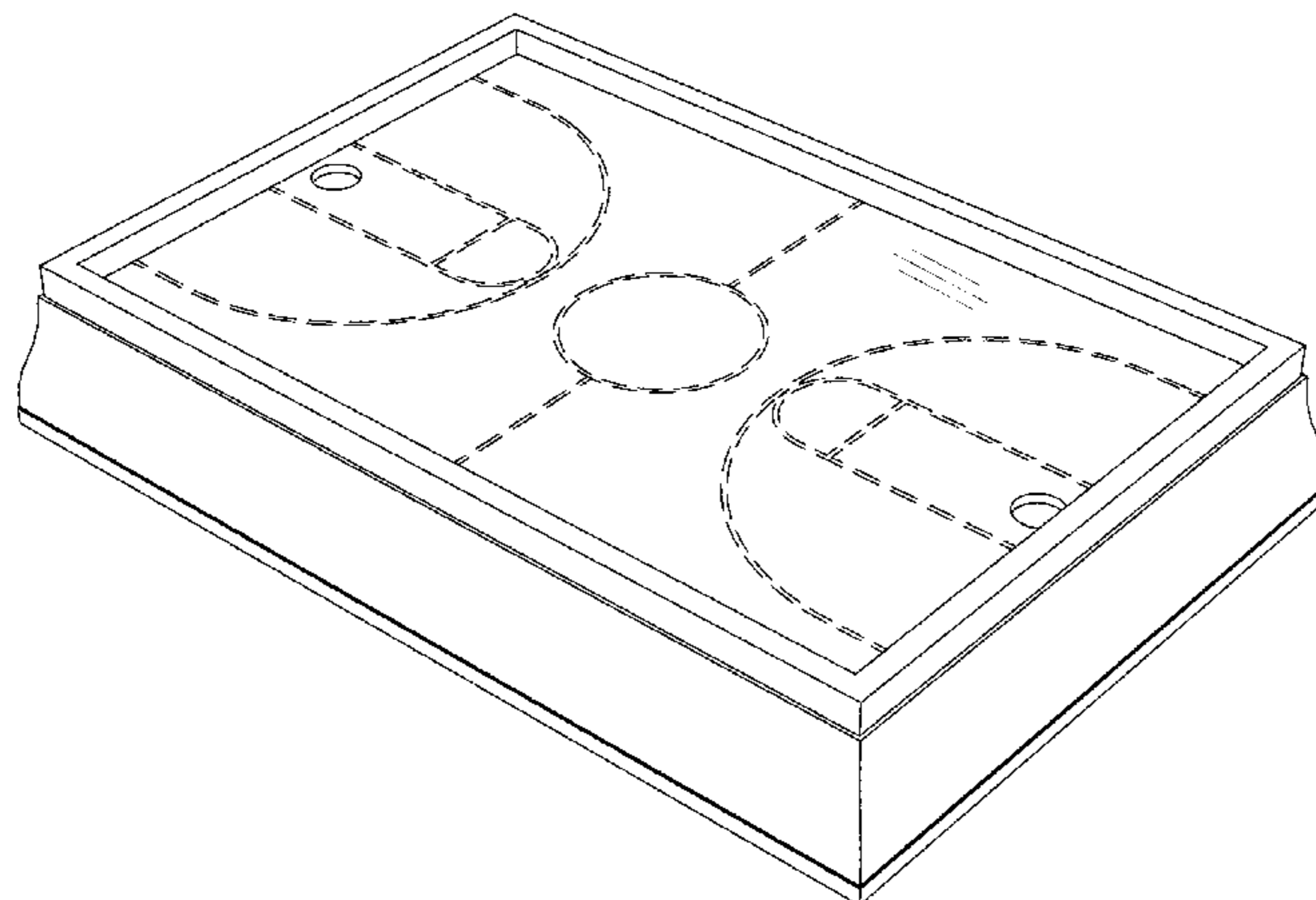
FIG. 4 is a front elevation view of the game board of FIG. 1; the rear elevation view is a mirror image.

FIG. 5 is a first-side elevation view of the game board of FIG. 1; the opposite second-side elevation view is a mirror image; and,

FIG. 6 is a lower perspective view of the game board of FIG. 1.

The broken lines illustratively depict markings on the finger basketball game board that form no part of the claimed design.

1 Claim, 5 Drawing Sheets



US D771,192 S

Page 2

(56)

References Cited

U.S. PATENT DOCUMENTS

- 3,073,601 A * 1/1963 Baillo A63F 7/0023
273/284
D213,706 S * 4/1969 Kraemer D21/340
D216,473 S * 1/1970 Rizzo 273/148 A
3,545,763 A * 12/1970 Seitz A63F 3/00028
273/244
3,560,092 A * 2/1971 Coney B42F 9/001
24/67.7
3,685,170 A * 8/1972 Fairleigh G09B 1/08
273/239
D231,374 S * 4/1974 Moe D21/339
3,811,674 A * 5/1974 Trbovich A63F 7/0612
273/317.3
3,827,691 A * 8/1974 Benander A63F 7/0612
273/108.5
4,052,064 A * 10/1977 Kennoy A63F 3/00028
273/317.3
D246,264 S * 11/1977 Hasegawa D21/338
D251,228 S * 3/1979 Block D21/339
4,261,568 A * 4/1981 Such A63F 7/0668
273/108.5
D262,722 S * 1/1982 Tsuyuki D21/328
D277,014 S * 1/1985 Vieira D21/339
D285,579 S * 9/1986 Hill D21/339
4,676,527 A * 6/1987 Palmer A63B 69/00
24/306
D321,911 S * 11/1991 Brady D19/82
D325,306 S * 4/1992 Barfield D21/355
5,123,653 A * 6/1992 Murphy A63F 3/00047
273/244
5,163,547 A * 11/1992 Hsieh B44D 3/00
206/1.7
5,163,845 A * 11/1992 Blassingame B43L 13/005
434/247
5,224,710 A * 7/1993 Feokhari A63F 3/00041
273/146
5,263,866 A * 11/1993 Campbell A63F 3/00533
434/247
D345,383 S * 3/1994 Lehoux D21/340
D345,384 S * 3/1994 Tataryn D21/339
D347,026 S * 5/1994 Young D21/318
D351,867 S * 10/1994 Rafferty D21/339
D356,608 S * 3/1995 Poon D21/392
5,423,537 A * 6/1995 Santana A63F 7/0668
273/108.5
5,472,191 A * 12/1995 Hendricks A63F 3/00047
273/244
D367,080 S * 2/1996 Anderson D21/355
5,536,007 A * 7/1996 Snyder A63F 7/04
119/702
5,807,195 A * 9/1998 Westbrook A63B 63/083
473/447
5,827,072 A * 10/1998 Neufer A63B 69/002
434/247
5,853,172 A * 12/1998 Yetken A63F 7/0668
273/108.1
D404,082 S * 1/1999 Cross D21/338
D423,839 S * 5/2000 Reinmuth D6/707.13
D460,984 S * 7/2002 McGowan D19/113
6,464,507 B1 * 10/2002 Bailey G09B 19/0038
434/247
6,561,511 B1 * 5/2003 Vaysberg A63F 7/068
273/108.56
D530,130 S * 10/2006 Counard D6/576
7,204,487 B1 * 4/2007 Pohl A63F 7/06
273/108.1
7,293,771 B1 * 11/2007 Montgomery A63F 3/00047
273/244
RE40,580 E * 11/2008 Mitvalsky A63F 7/2472
273/317.1
D597,361 S * 8/2009 Smith, Jr. D6/597
D605,718 S * 12/2009 Jenkins D21/698
8,100,697 B2 * 1/2012 Budryk A63F 7/3603
434/412
D695,840 S * 12/2013 Dobos D21/337
D708,669 S * 7/2014 Sharma D19/113
D739,469 S * 9/2015 Smith D21/318
2005/0253330 A1 * 11/2005 Navarro A63F 7/06
273/108.5
2007/0235941 A1 * 10/2007 Ting A63B 67/002
273/317.3
2010/0201067 A1 * 8/2010 Liao A63F 7/06
273/108.1
2011/0260396 A1 * 10/2011 Kokoszka A63F 7/06
273/108.1
2012/0032392 A1 * 2/2012 Swalley A63F 7/0017
273/108.1
2012/0252304 A1 * 10/2012 Vaughan A63F 3/0023
446/71

* cited by examiner

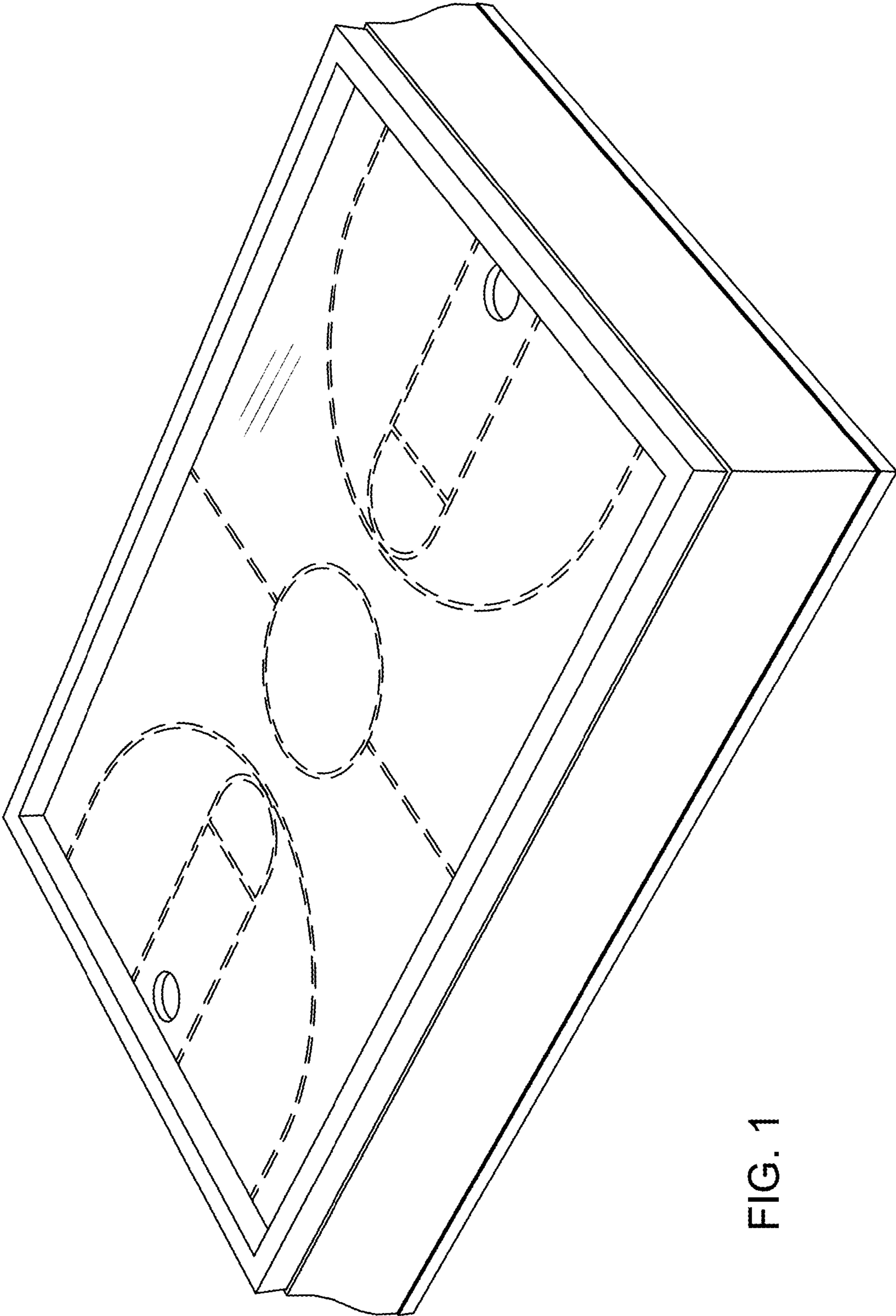


FIG. 1

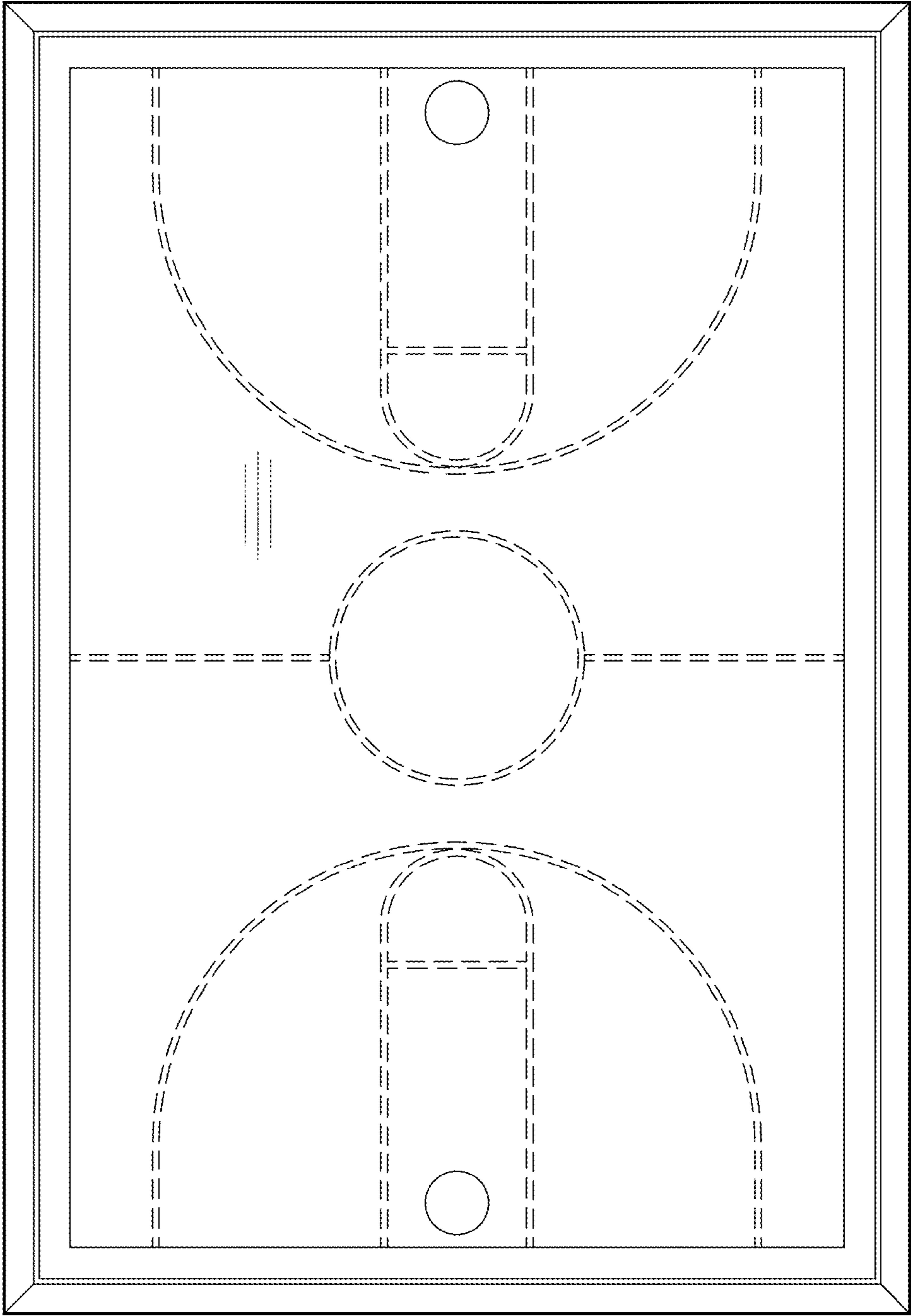


FIG. 2

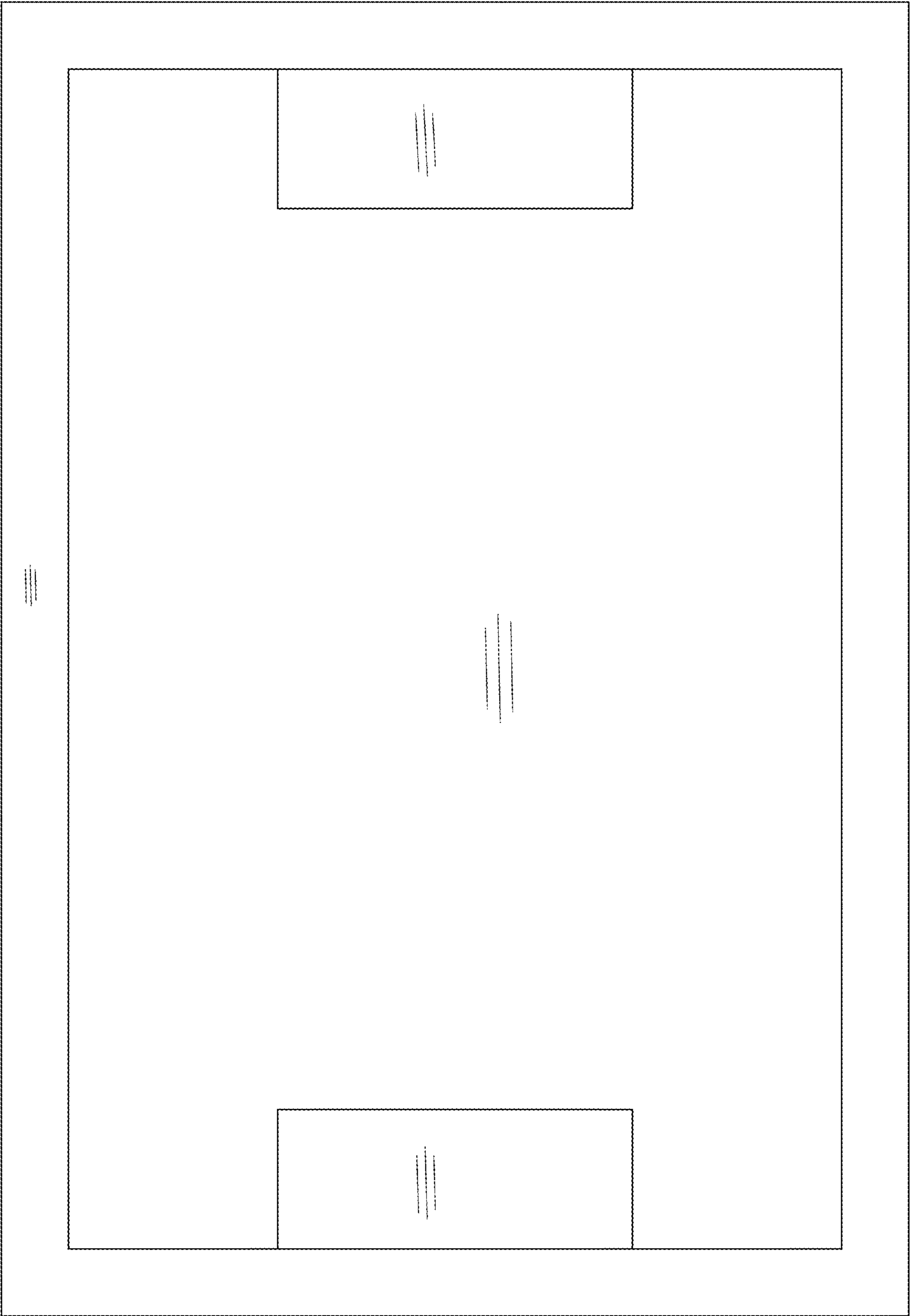


FIG. 3

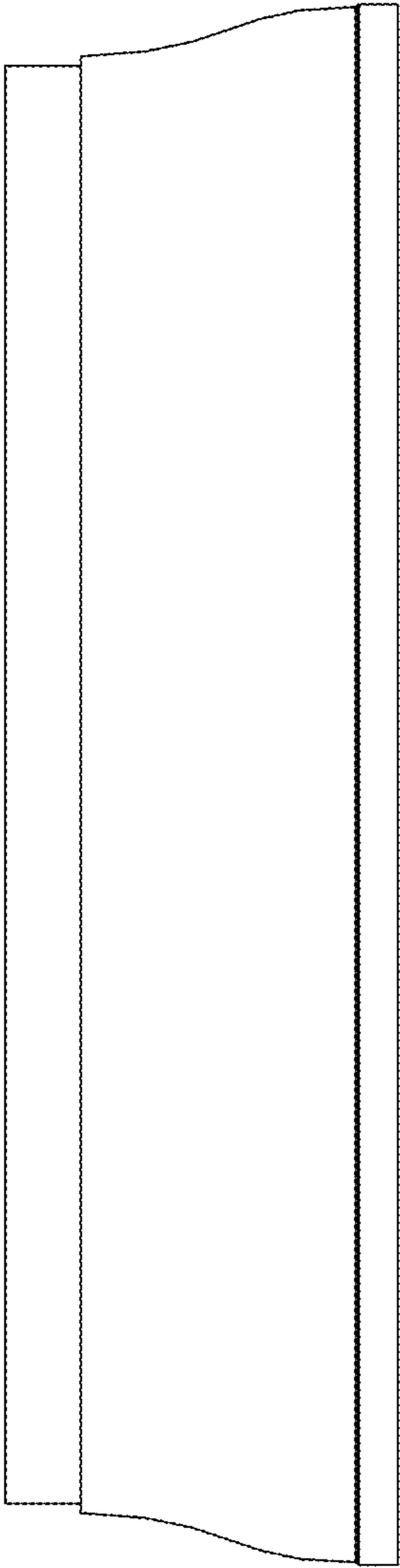


FIG. 4

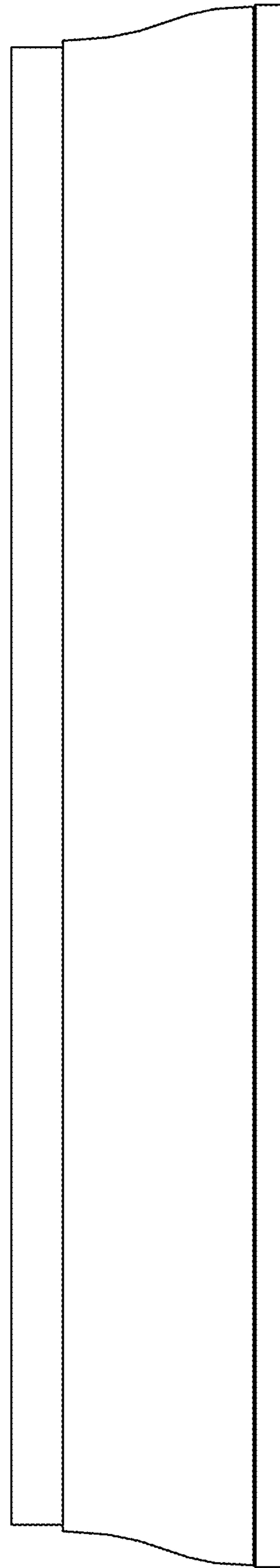


FIG. 5

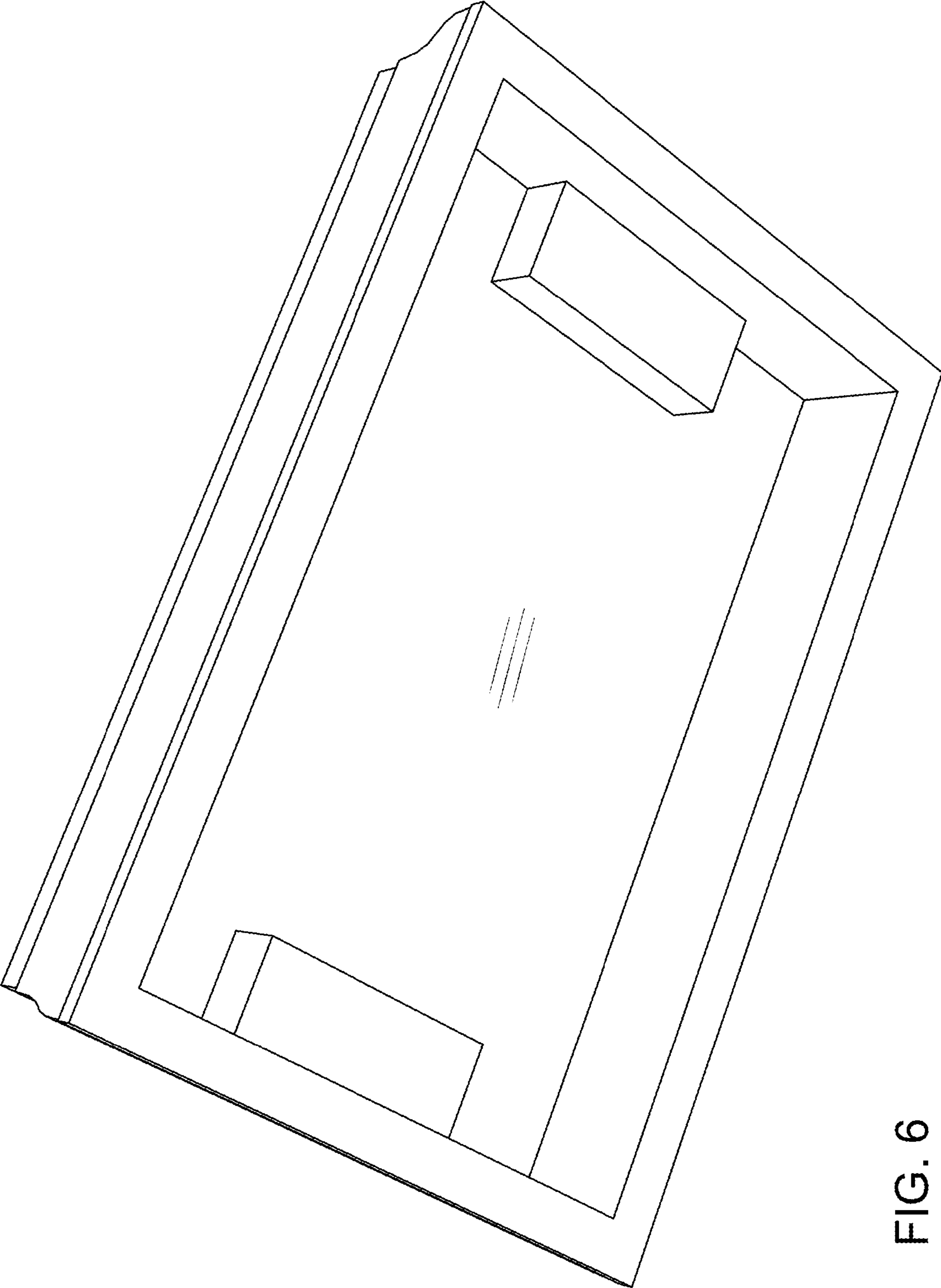


FIG. 6