



US00D771191S

(12) **United States Design Patent** (10) **Patent No.:** **US D771,191 S**  
**Manceau** (45) **Date of Patent:** **\*\* Nov. 8, 2016**

(54) **CONTROL DEVICE WITH TWO JOYSTICKS AND A TRACKBALL**

(71) Applicant: **THALES AVIONICS SAS**,  
Velizy-Villacoublay (FR)

(72) Inventor: **Michael Manceau**, Chateaudun (FR)

(73) Assignee: **THALES AVIONICS SAS**,  
Vélizy-Villacoublay (FR)

(\*\*) Term: **15 Years**

(21) Appl. No.: **35/500,143**

(22) Filed: **Jun. 15, 2015**

(80) **Hague Agreement Data**

Int. Filing Date: **Jun. 15, 2015**

Int. Reg. No.: **DM/087462**

Int. Reg. Date: **Jun. 15, 2015**

Int. Reg. Pub. Date: **Sep. 25, 2015**

(51) **LOC (10) Cl.** ..... **14-03**

(52) **U.S. Cl.**

USPC ..... **D21/333**

CPC ..... **H03J 9/02** (2013.01)

(58) **Field of Classification Search**

USPC ..... D13/168; D14/137, 155, 188, 218,  
D14/240-242, 358; D21/333, 356

CPC ..... H03J 1/0025; H03J 9/00; H03J 9/02;  
H03J 9/04; H03J 9/06; H04B 1/202; G05B  
11/01; G06N 3/008; A63H 17/262; A63H  
30/04; A63H 29/00; A63F 13/06

See application file for complete search history.

(56) **References Cited**

**U.S. PATENT DOCUMENTS**

D377,198 S \* 1/1997 Oikawa ..... D14/401

D409,183 S \* 5/1999 Chen ..... D14/401

D409,692 S \* 5/1999 DeAngelis ..... D21/566

D415,752 S \* 10/1999 Tyler ..... D14/401

D435,542 S \* 12/2000 Onoda ..... D14/218

6,171,191 B1 \* 1/2001 Ogata ..... A63F 13/06  
273/148 B

D465,221 S \* 11/2002 Hussaini ..... D14/401

D467,922 S \* 12/2002 Lee ..... D14/401

D467,923 S \* 12/2002 Lim ..... D14/401

D469,436 S \* 1/2003 Hussaini ..... D14/401

D491,183 S \* 6/2004 Swan ..... D14/401

D504,430 S \* 4/2005 Takahashi ..... D14/401

D564,034 S \* 3/2008 Morrow ..... D21/329

D564,598 S \* 3/2008 Morrow ..... D21/329

D566,196 S \* 4/2008 Morrow ..... D21/329

D572,711 S \* 7/2008 Li ..... D14/401

D577,727 S \* 9/2008 Morrow ..... D14/417

D587,272 S \* 2/2009 Morrow ..... D14/448

D601,149 S \* 9/2009 Claussen ..... D14/401

D610,144 S \* 2/2010 Claussen ..... D14/401

D620,940 S \* 8/2010 Claussen ..... D14/401

D623,649 S \* 9/2010 Claussen ..... D14/401

D712,982 S \* 9/2014 Barajas ..... D21/566

D749,527 S \* 2/2016 LI ..... D13/168

\* cited by examiner

*Primary Examiner* — Richard E Chilcot

(57) **CLAIM**

The ornamental design for a control device with two joysticks and a trackball, as shown and described.

**DESCRIPTION**

1. Control device with two joysticks and a trackball

1.1 : Front

1.2 : Right

1.3 : Left

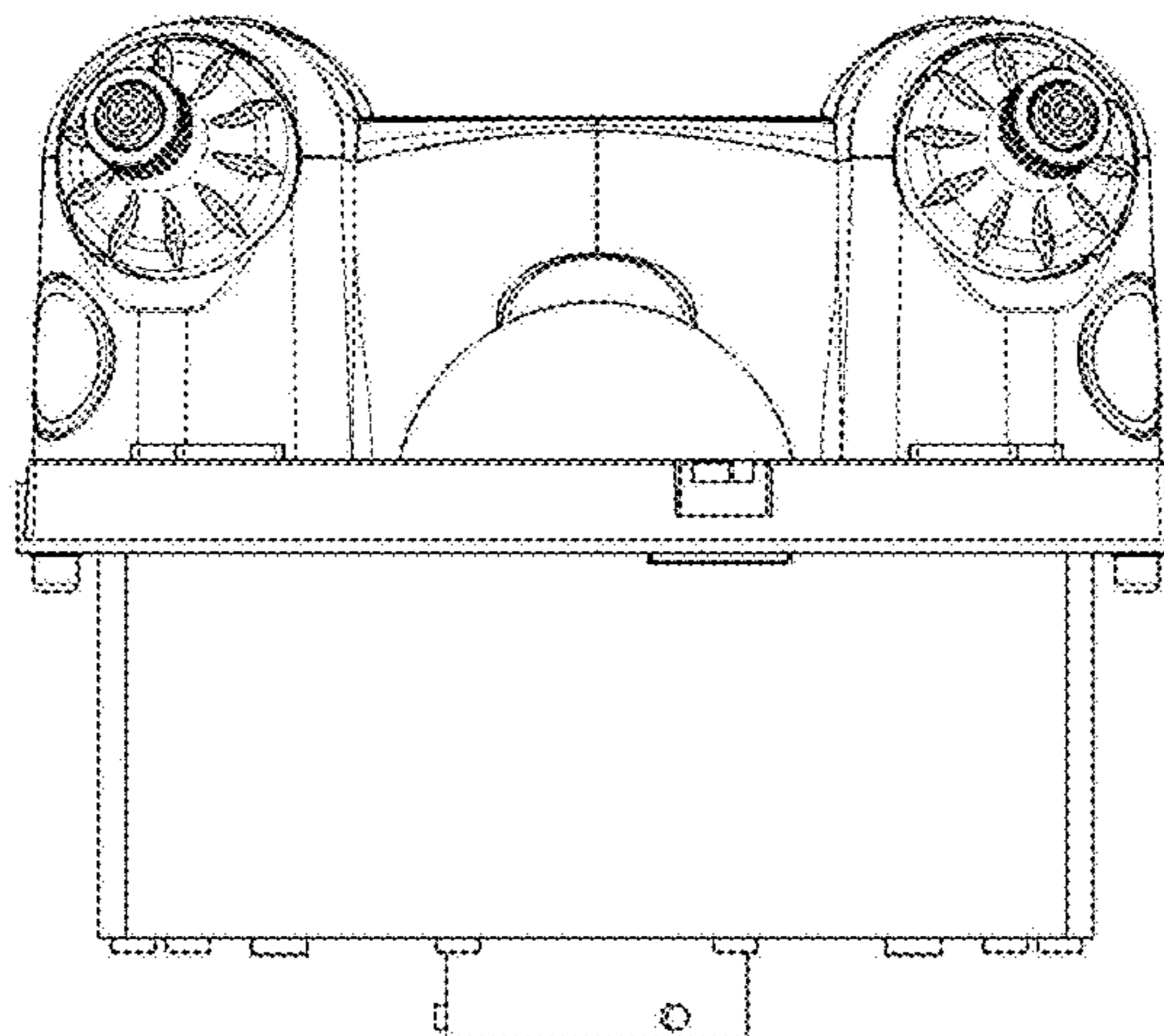
1.4 : Back

1.5 : Perspective

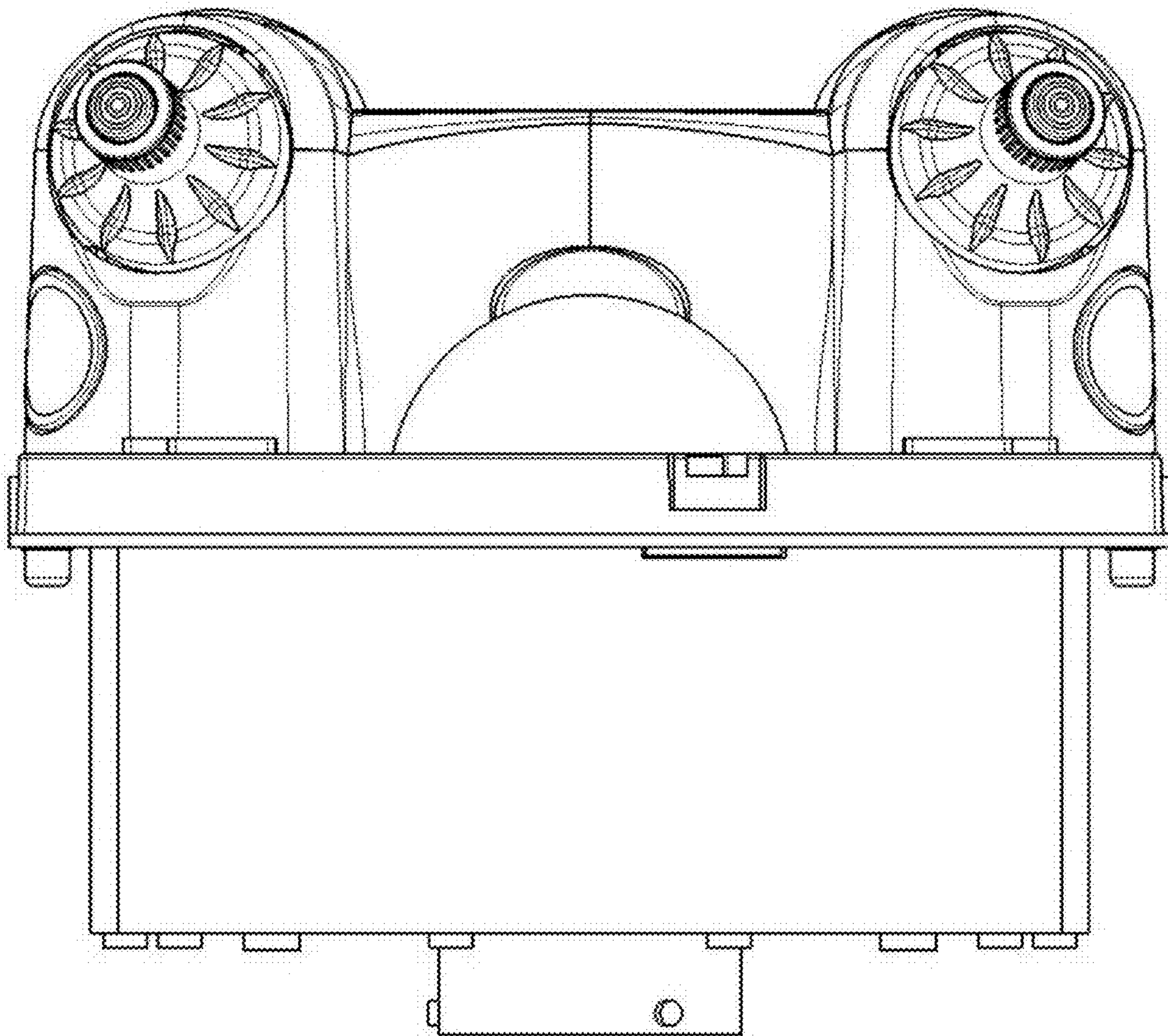
1.6 : Top

1.7 : Bottom

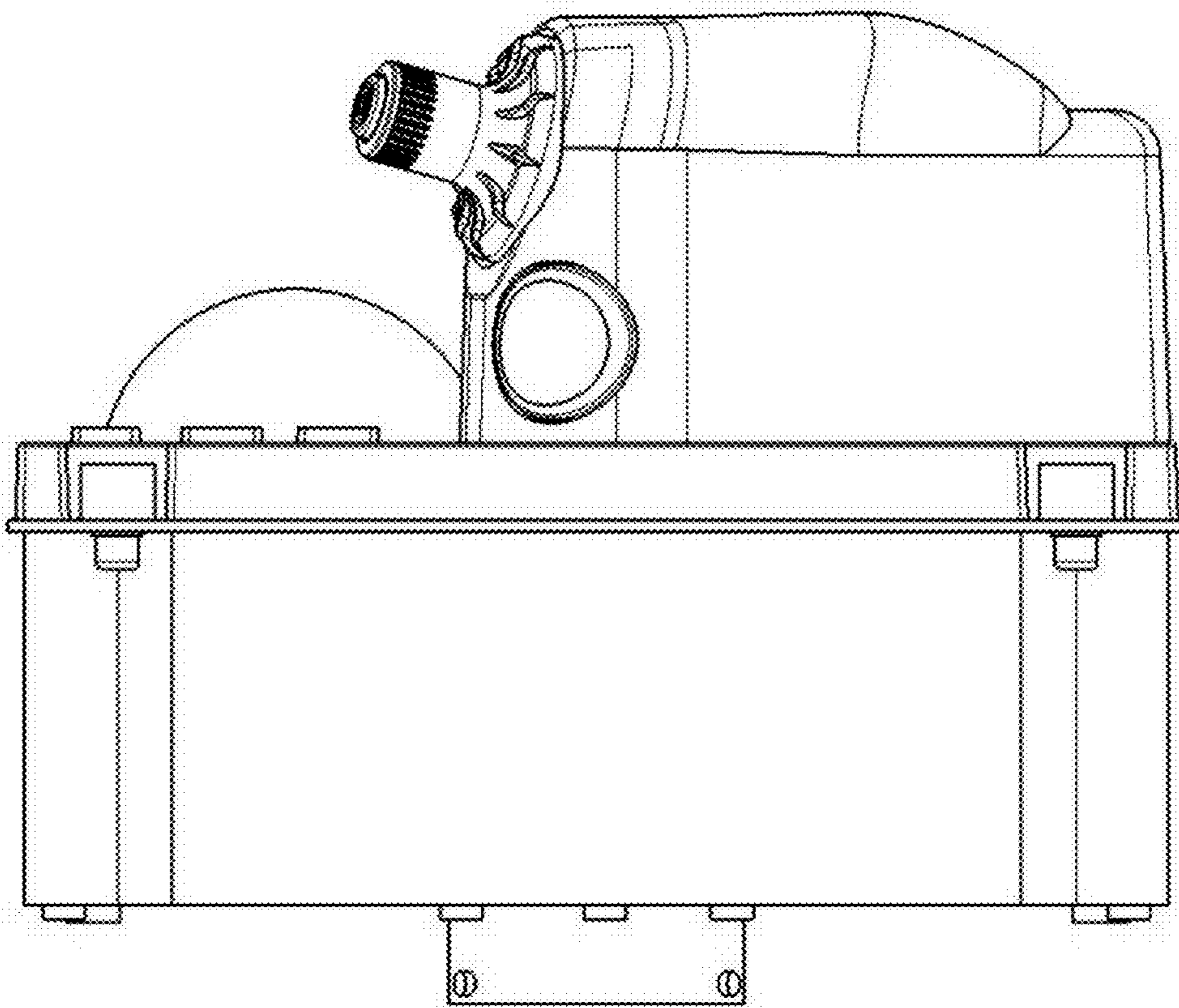
**1 Claim, 7 Drawing Sheets**



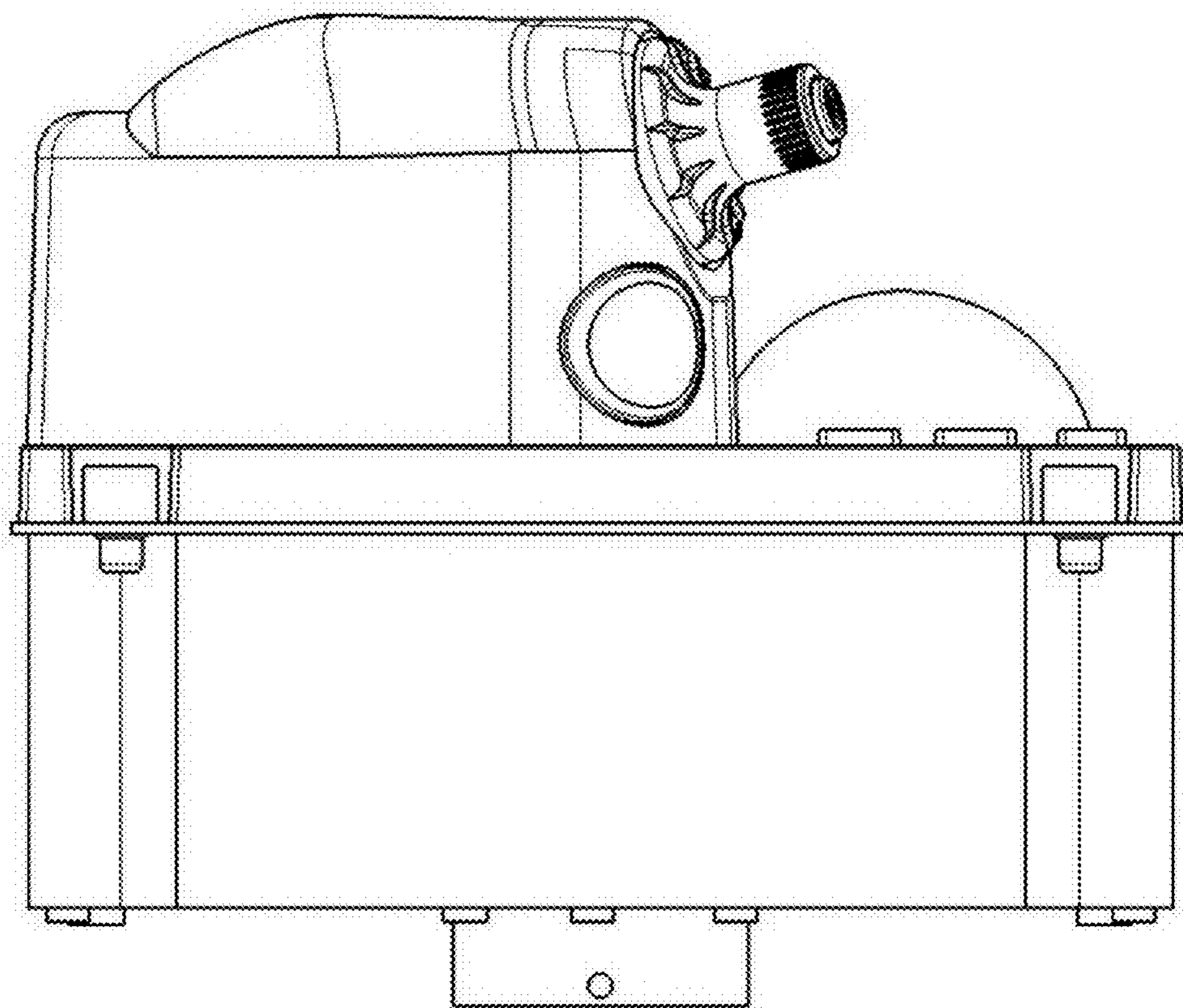
1.1



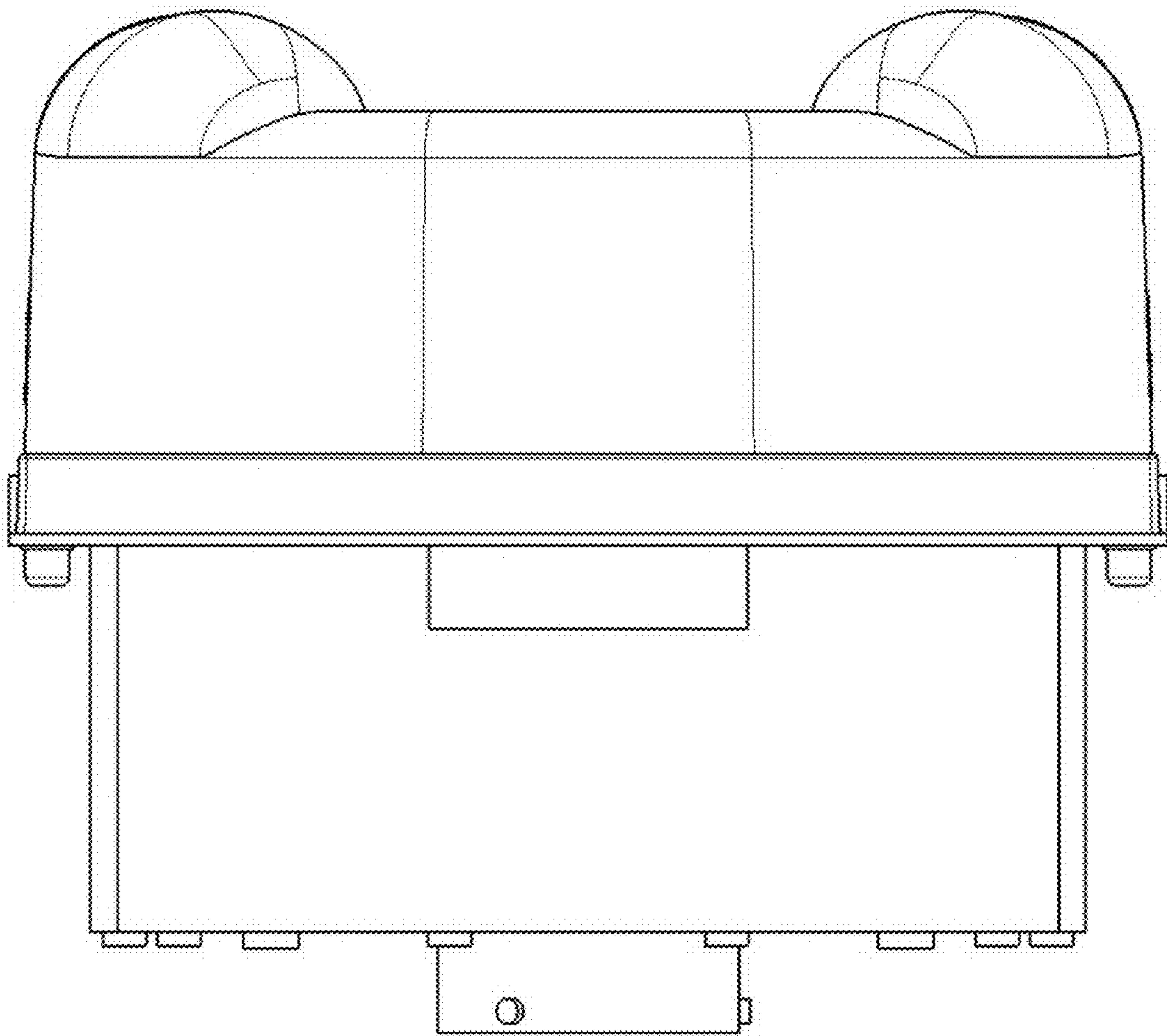
1.2



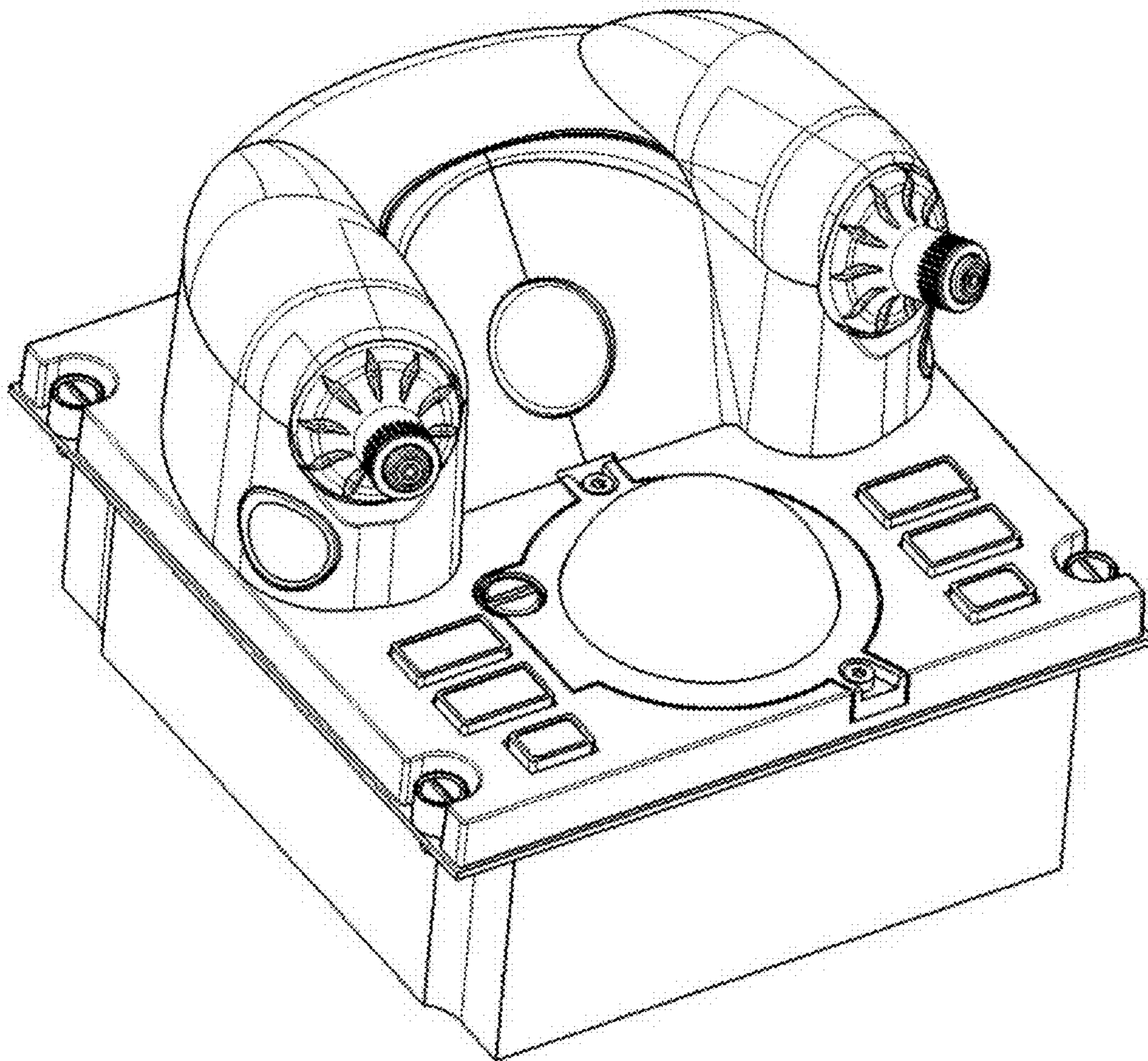
1.3



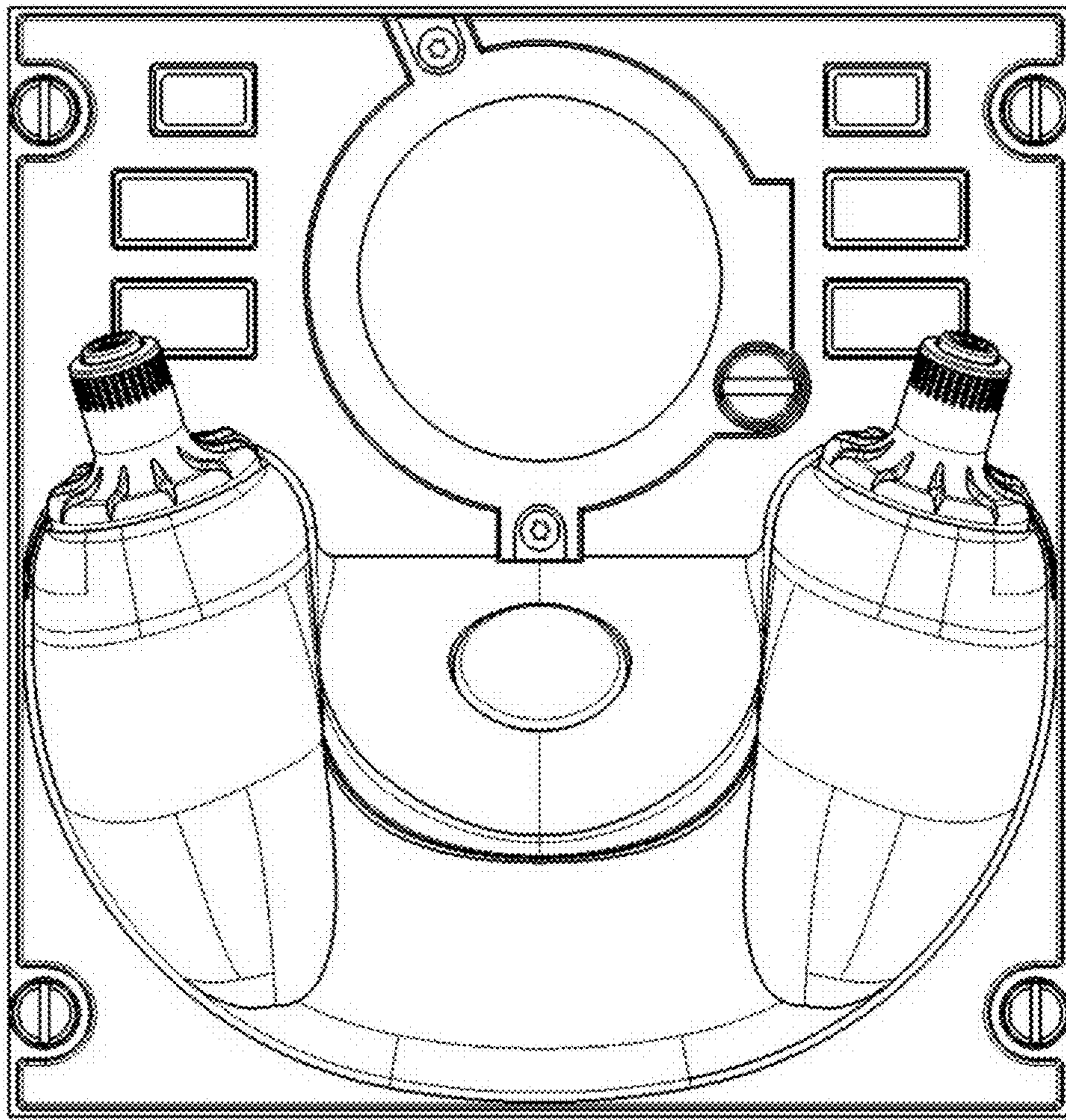
1.4



1.5



1.6



1.7

