



US00D771189S

(12) **United States Design Patent** (10) **Patent No.:** **US D771,189 S**
Robinson (45) **Date of Patent:** **** Nov. 8, 2016**

(54) **CENTER BAND OF A PEN**
(71) Applicant: **Stacy Dana Robinson**, Lilburn, GA (US)
(72) Inventor: **Stacy Dana Robinson**, Lilburn, GA (US)
(**) Term: **14 Years**
(21) Appl. No.: **29/522,903**
(22) Filed: **Apr. 3, 2015**
(51) **LOC (10) Cl.** **19-06**
(52) **U.S. Cl.**
USPC **D19/192**; D11/34
(58) **Field of Classification Search**
USPC D14/411; D19/115-204; D11/26, 27, D11/28, 34, 37, 38
CPC B43K 5/005; B43K 5/16; B43K 7/00; B43K 7/10; B43K 7/12; B43K 8/02; B43K 8/022; B43K 8/024; B43K 8/04
See application file for complete search history.

2,413,541 A * 12/1946 Brady A44C 5/0084 63/3
D359,926 S * 7/1995 Plummer D11/4
D375,612 S * 11/1996 Elder D10/111
D489,022 S * 4/2004 Riggio D11/38
D541,692 S * 5/2007 Daas D11/16
D564,390 S * 3/2008 Fernandez D11/34
D651,931 S * 1/2012 Molik D11/3
D708,089 S * 7/2014 Burbano D11/6
D733,605 S * 7/2015 Soehn D11/3
D734,685 S * 7/2015 Barresi D11/3
D749,976 S * 2/2016 Barresi D11/3
9,320,329 B2 * 4/2016 Nisguretsky A44C 9/00
2009/0071192 A1 * 3/2009 Bauman A44C 9/00 63/15

* cited by examiner

Primary Examiner — Elizabeth Albert
(74) *Attorney, Agent, or Firm* — Dunlap Bennett & Ludwig PLLC

(57) **CLAIM**
The ornamental design for a center band of a pen, as shown and described.

DESCRIPTION

FIG. 1 is a perspective front view of a center band of a pen; FIG. 2 is a front elevation view thereof; FIG. 3 is a rear elevation view thereof; FIG. 4 is a left side elevation view thereof; the right side elevation view being a mirror image thereof; FIG. 5 is a top plan view thereof; FIG. 6 is a bottom plan view thereof; and, FIG. 7 is a perspective front view of the center band of a pen, shown in use.
The broken lines shown in the drawings illustrate portions of the center band of a pen that form no part of the claimed design.

1 Claim, 3 Drawing Sheets

(56) **References Cited**
U.S. PATENT DOCUMENTS
254,156 A * 2/1882 Ricker et al. A01K 27/007 119/654
1,280,707 A * 10/1918 Gebhardt A44C 9/00 63/15
1,579,820 A * 4/1926 Kislinger A44C 5/0092 428/3
1,712,417 A * 5/1929 Beaujard, Jr. A44C 9/003 63/15.3
1,822,392 A * 9/1931 Esterman A44C 9/02 63/15.4
D102,720 S * 1/1937 Larsen D19/168
D122,601 S * 9/1940 Katz D11/16

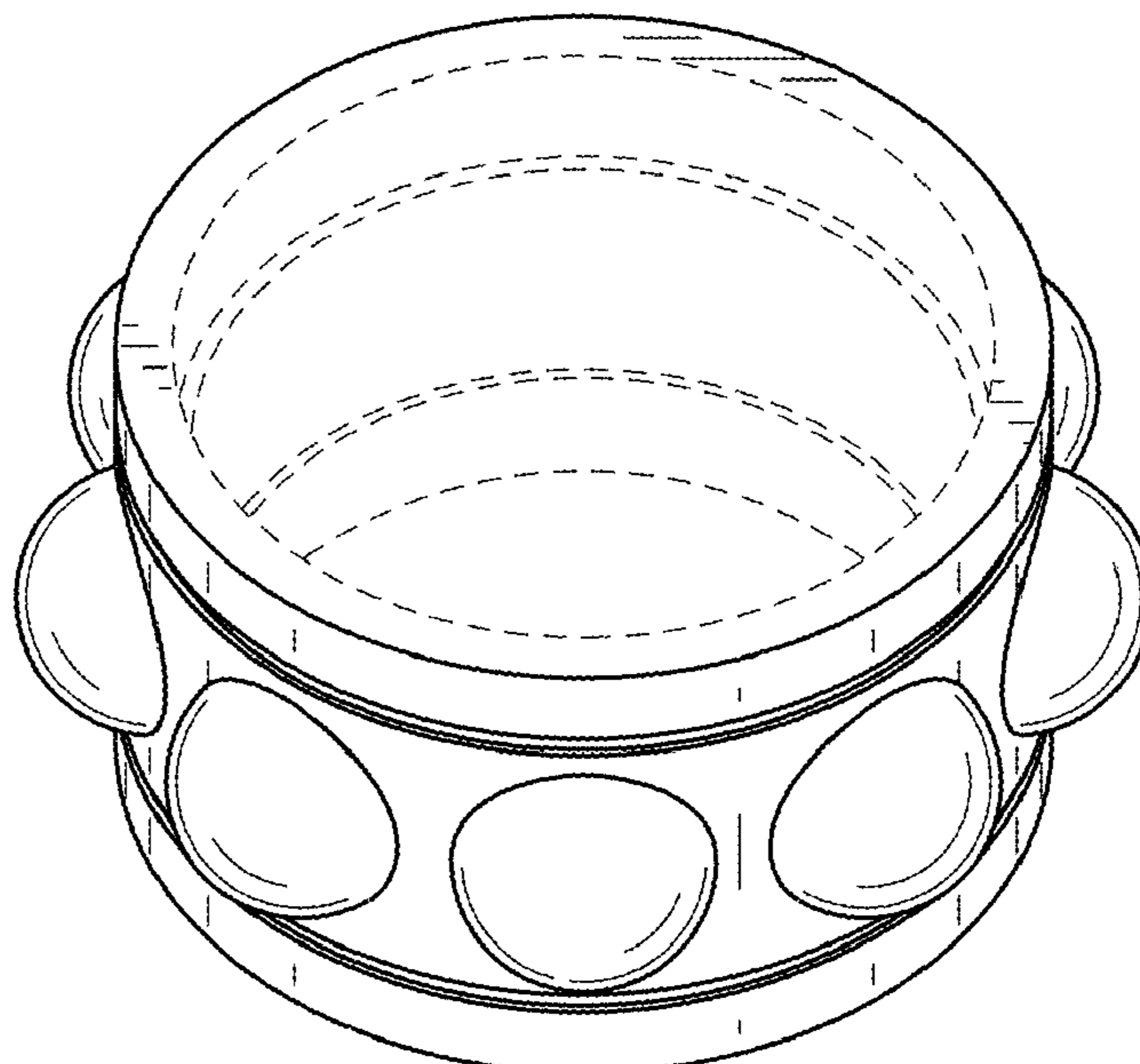


FIG. 1

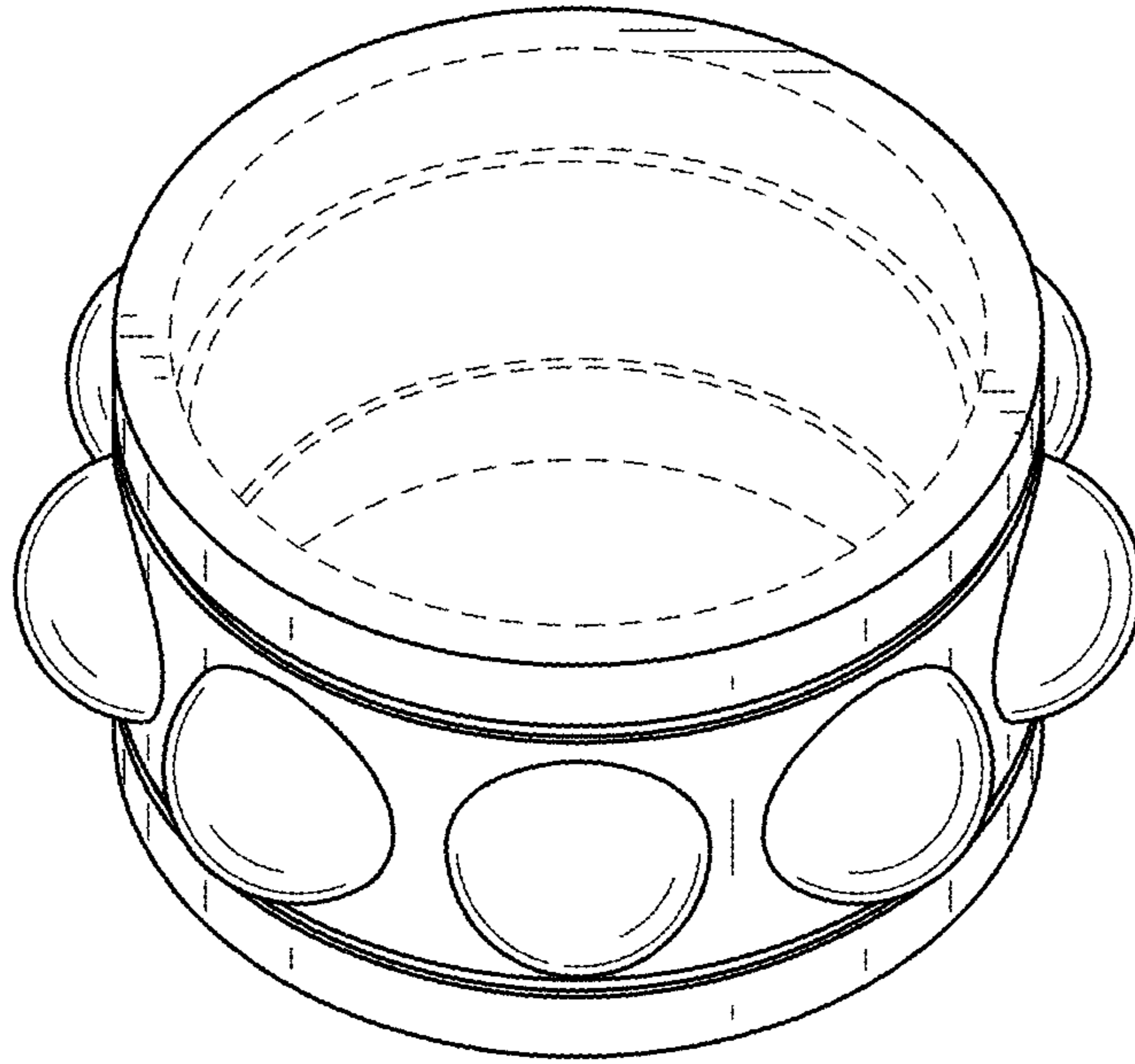


FIG. 2

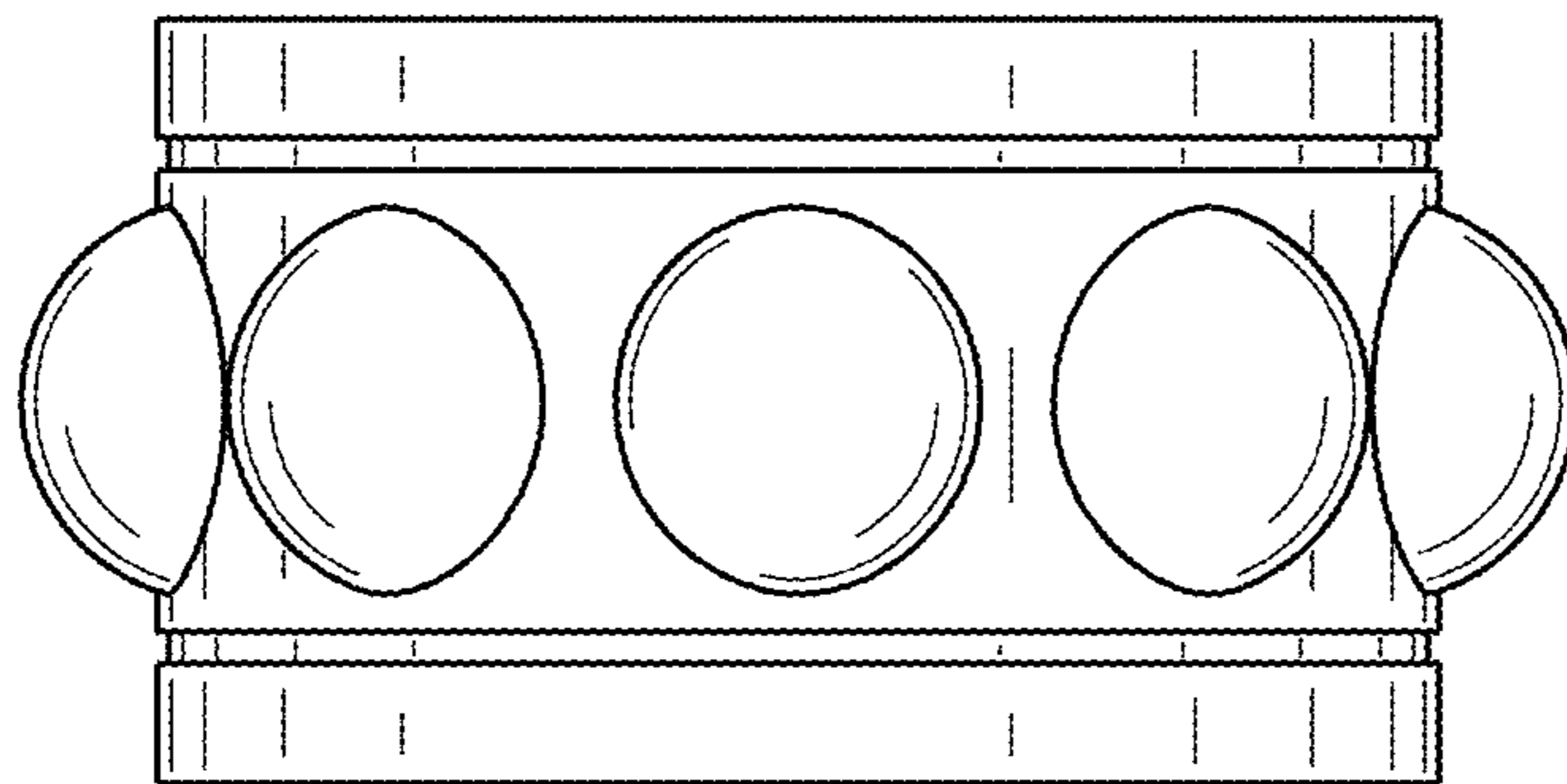


FIG. 3

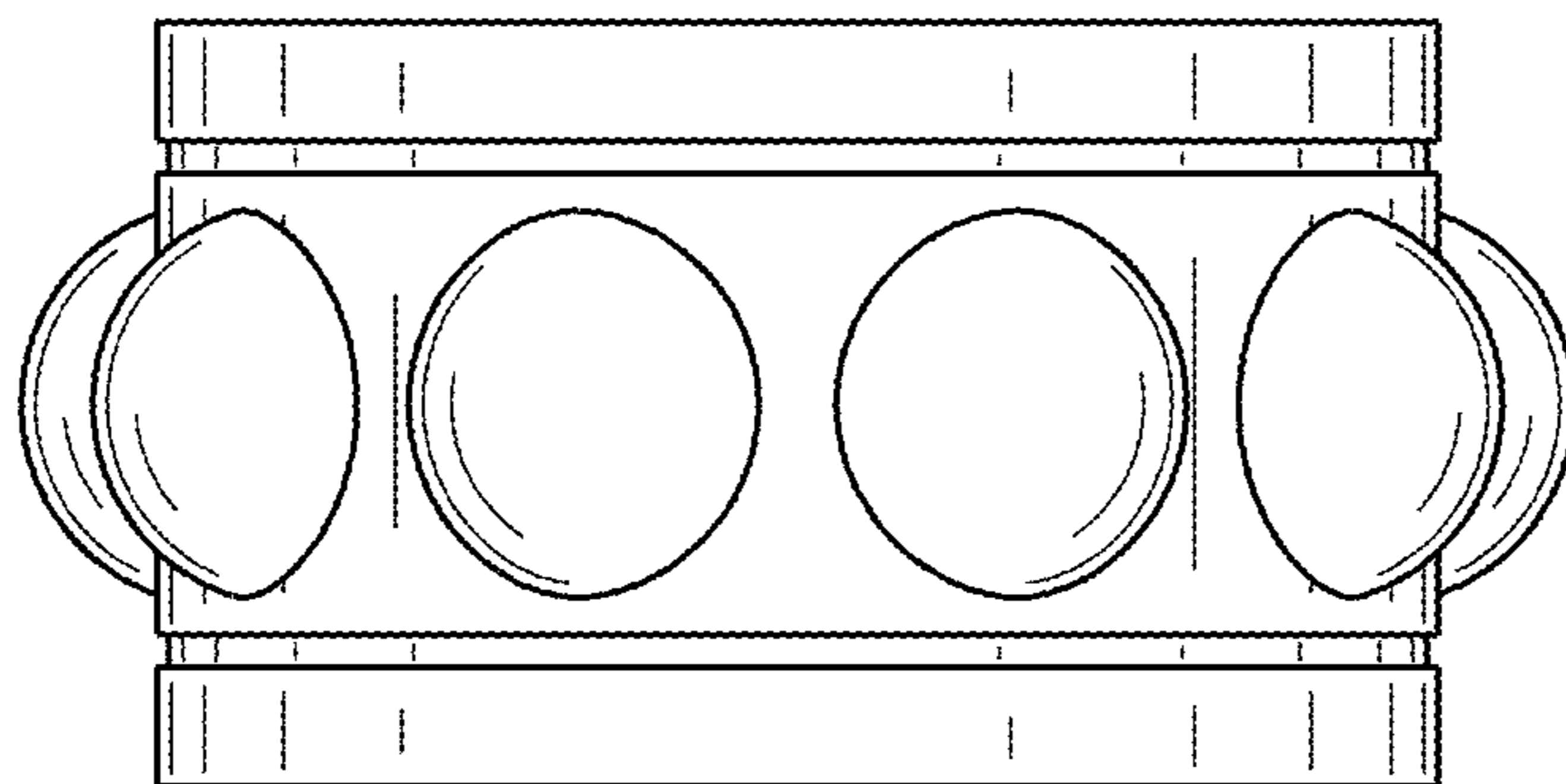


FIG. 4

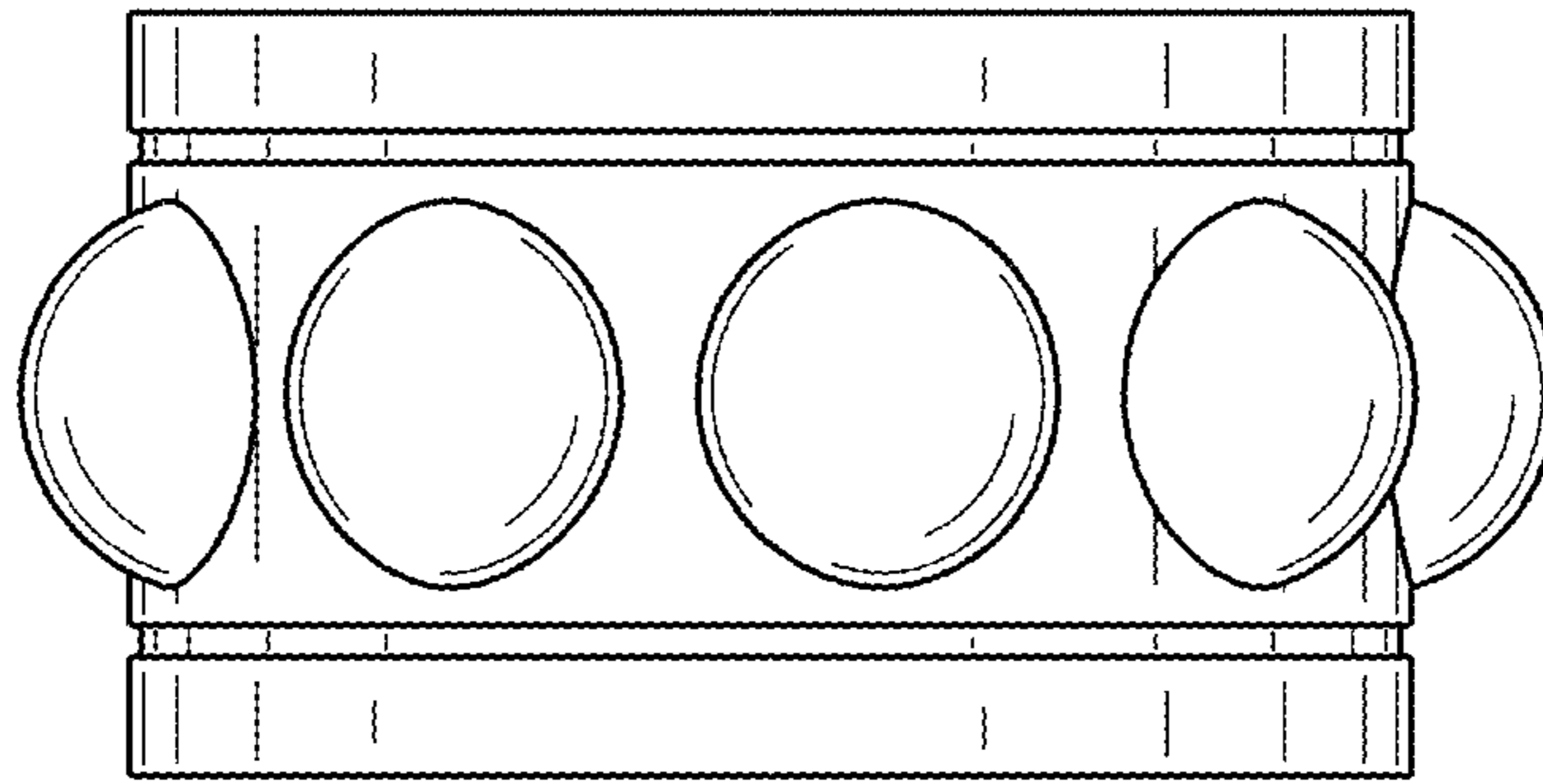


FIG. 5

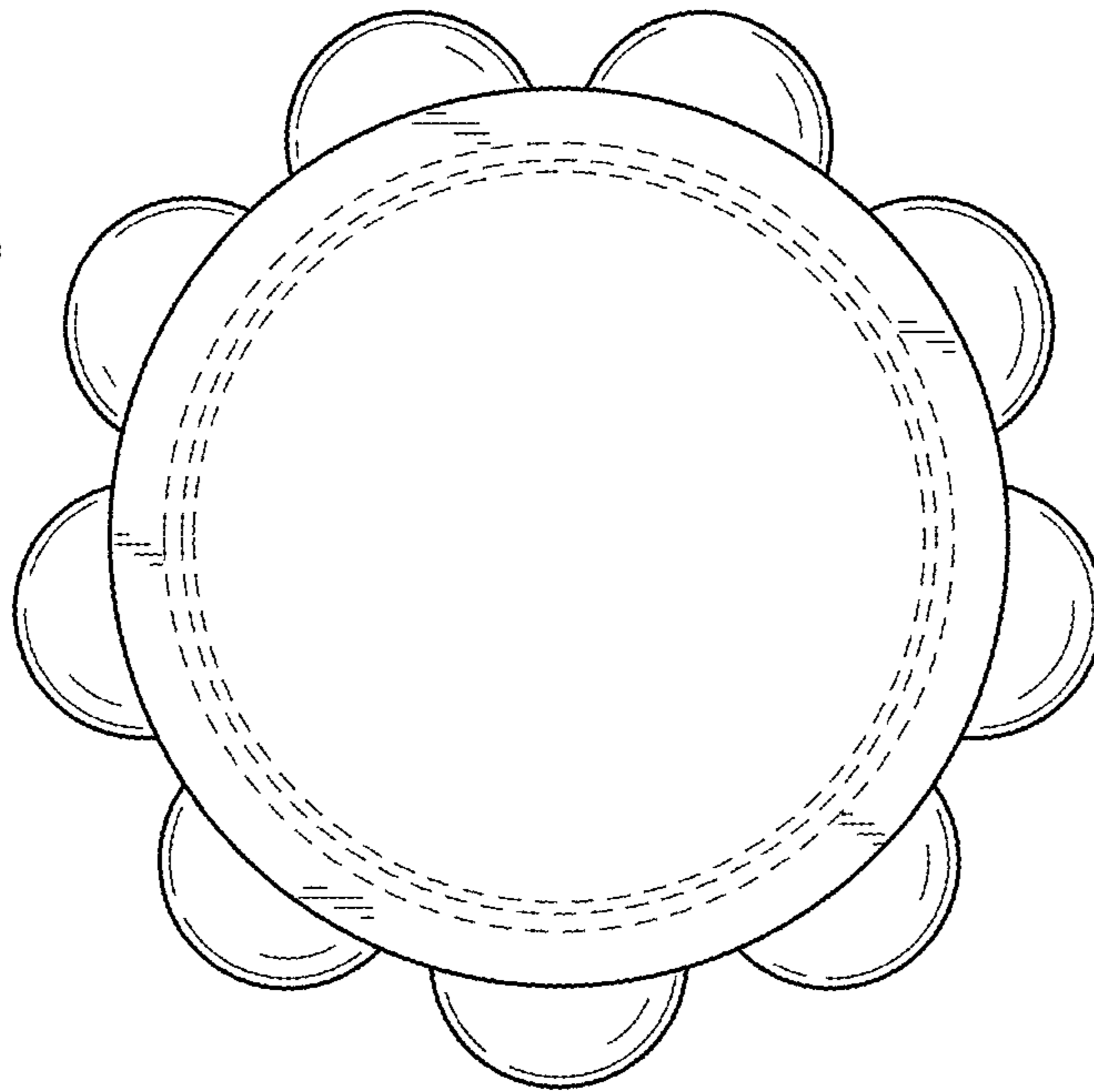


FIG. 6

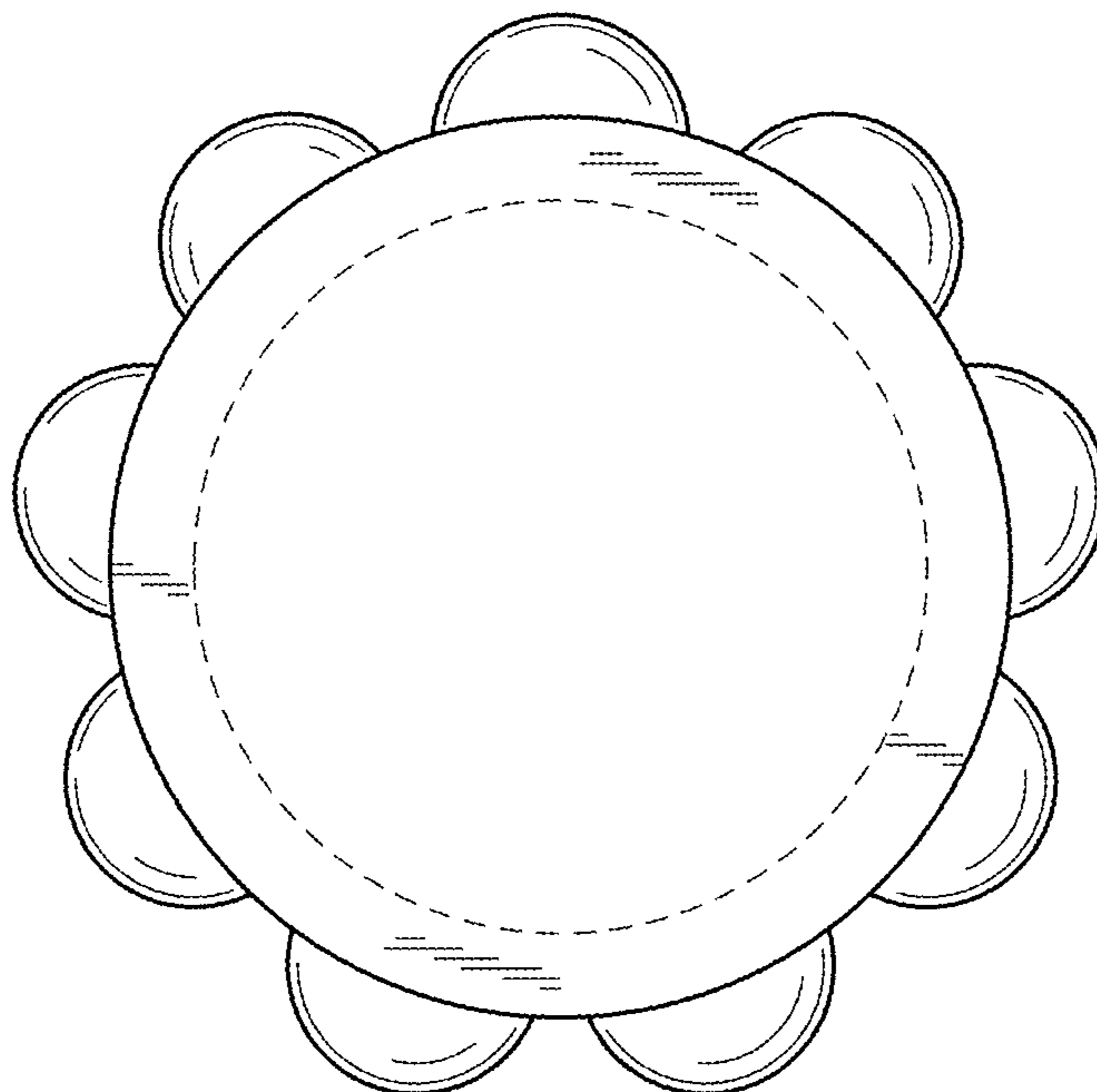


FIG. 7

