



US00D771188S

(12) **United States Design Patent** (10) **Patent No.:** **US D771,188 S**
Csokmay (45) **Date of Patent:** **** Nov. 8, 2016**

(54) **BALLPOINT PEN**
 (71) Applicant: **The Berea Hardwoods Co., Inc.**,
 Middleburg Heights, OH (US)
 (72) Inventor: **Joseph M. Csokmay**, Parma, OH (US)
 (73) Assignee: **The Berea Hardwoods Co., Inc.**,
 Middleburg Heights, OH (US)

D472,923 S * 4/2003 Wang D19/164
 D556,825 S * 12/2007 Bruzzi D19/168
 D565,656 S * 4/2008 Silverstein D19/196
 D628,633 S * 12/2010 Zhang D19/164
 D666,891 S * 9/2012 Gulseth D8/308
 D678,942 S * 3/2013 Yuan D19/163
 D710,447 S 8/2014 Shibata
 D713,881 S 9/2014 Koch
 D716,378 S 10/2014 Martin

* cited by examiner

(**) Term: **15 Years**

Primary Examiner — Elizabeth Albert

(21) Appl. No.: **29/531,057**

(74) *Attorney, Agent, or Firm* — Sand & Sebolt

(22) Filed: **Jun. 23, 2015**

(57) **CLAIM**

(51) **LOC (10) Cl.** **19-06**

The ornamental design for a ballpoint pen, as shown and described.

(52) **U.S. Cl.**
USPC **D19/170**

(58) **Field of Classification Search**
 USPC D14/411; D19/115–204
 CPC B43K 5/005; B43K 5/16; B43K 7/00;
 B43K 7/10; B43K 7/12; B43K 8/02; B43K
 8/022; B43K 8/024; B43K 8/04
 See application file for complete search history.

DESCRIPTION

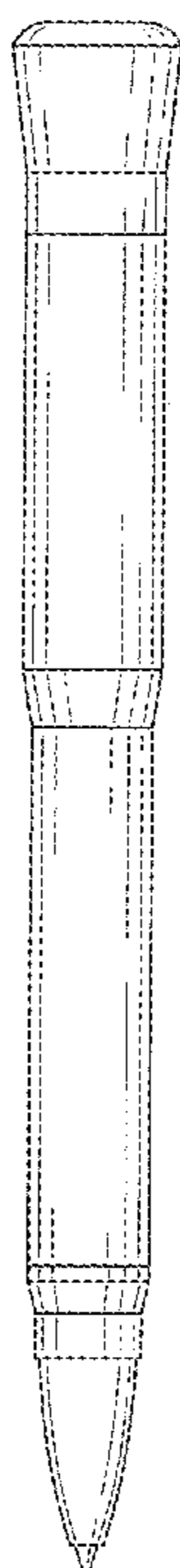
(56) **References Cited**

U.S. PATENT DOCUMENTS

D59,052 S * 9/1921 Worthy et al. D19/151
 1,468,562 A * 9/1923 Gilman, Jr. B43K 25/02
 24/11 F
 1,649,142 A * 11/1927 Thornblad B43K 29/0875
 235/117 A
 D179,615 S * 1/1957 Spatz D19/183
 D436,624 S * 1/2001 Zier D19/176
 D466,933 S * 12/2002 Ferrara, Jr. D19/174

FIG. 1 is a perspective view of the ballpoint pen of the present invention.
 FIG. 2 is a front elevational view of the ballpoint pen.
 FIG. 3 is a back elevational view of the ballpoint pen as shown in FIG. 2.
 FIG. 4 is a left side elevational view of the ballpoint pen as shown in FIG. 2.
 FIG. 5 is a right side elevational view of the ballpoint pen as shown in FIG. 2.
 FIG. 6 is an enlarged top view of the ballpoint pen as shown in FIG. 2; and,
 FIG. 7 is an enlarged bottom view of the ballpoint pen as shown in FIG. 2.

1 Claim, 4 Drawing Sheets



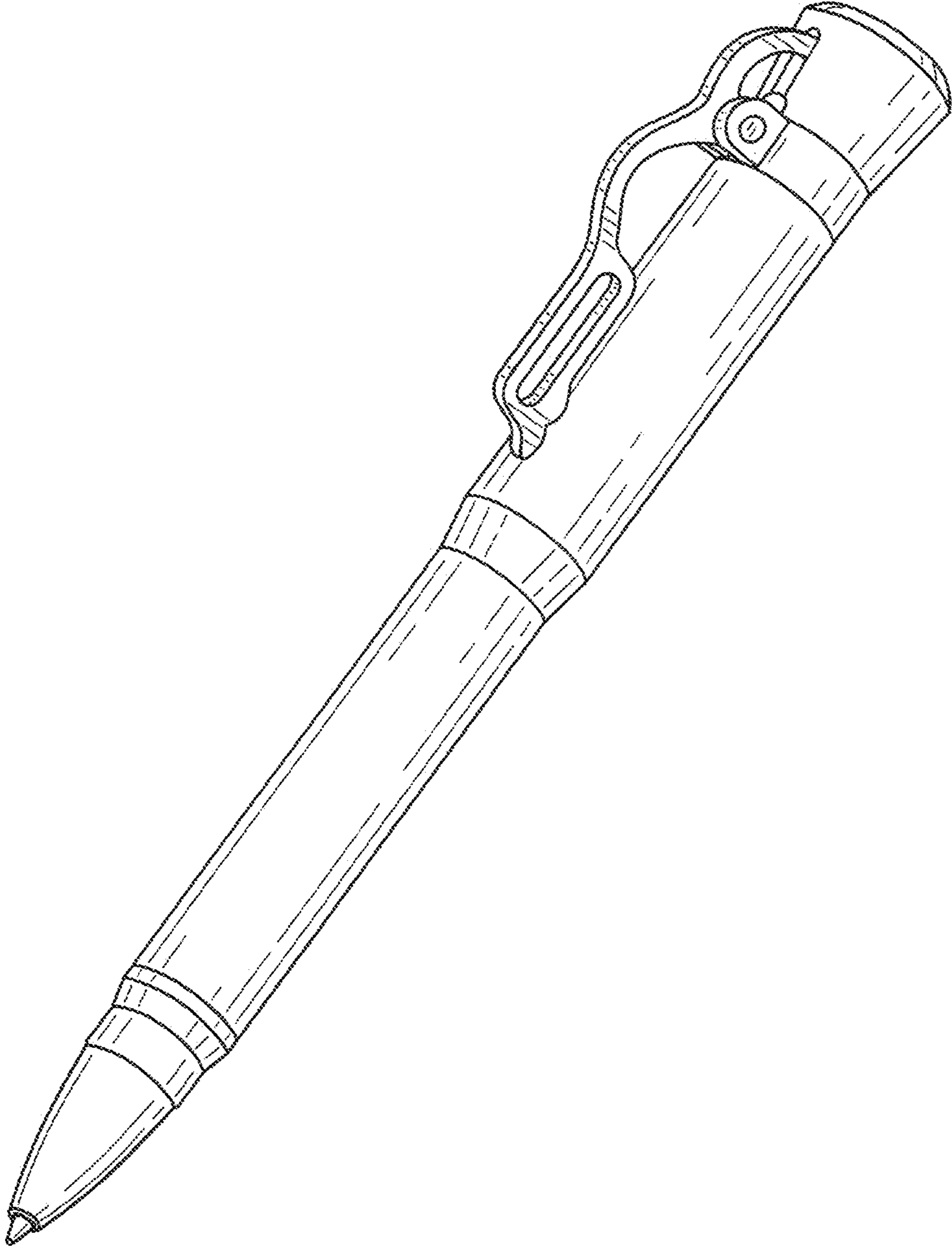


FIG-1

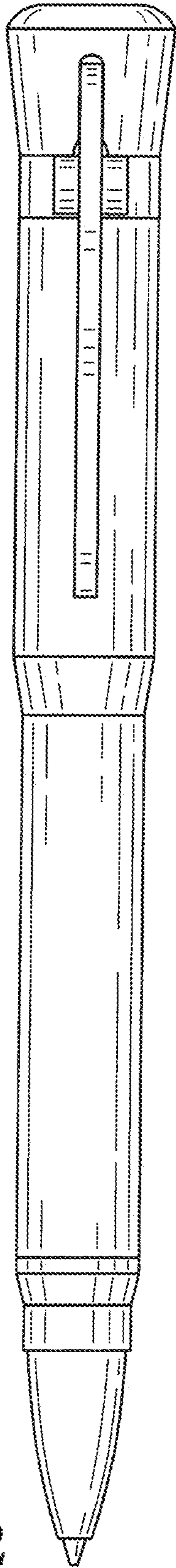


FIG-2

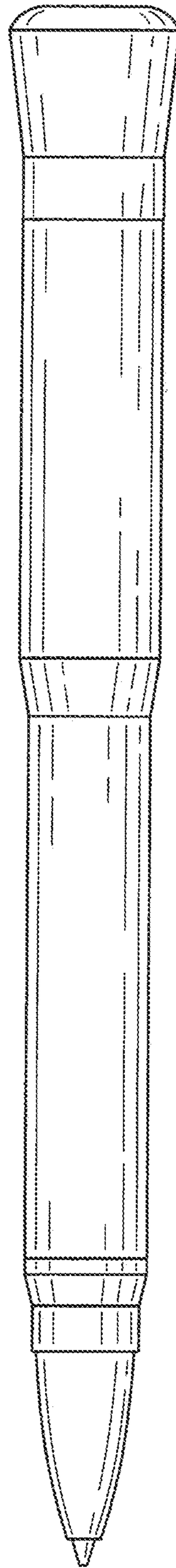


FIG-3

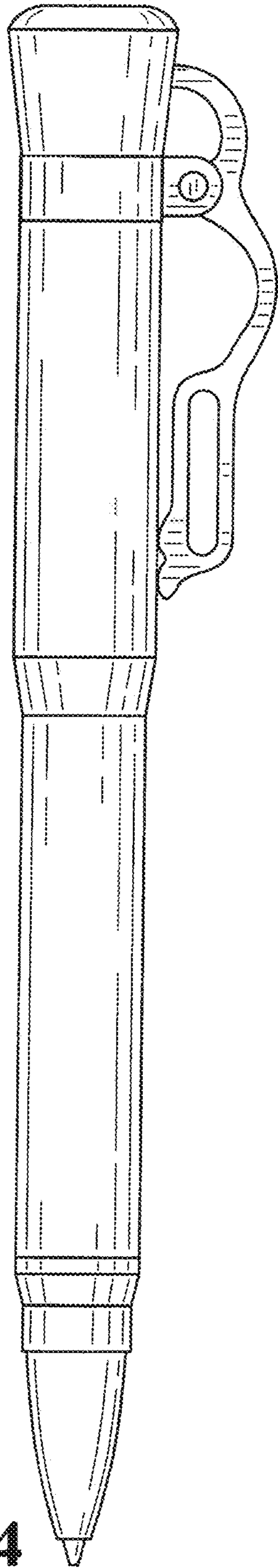


FIG-4

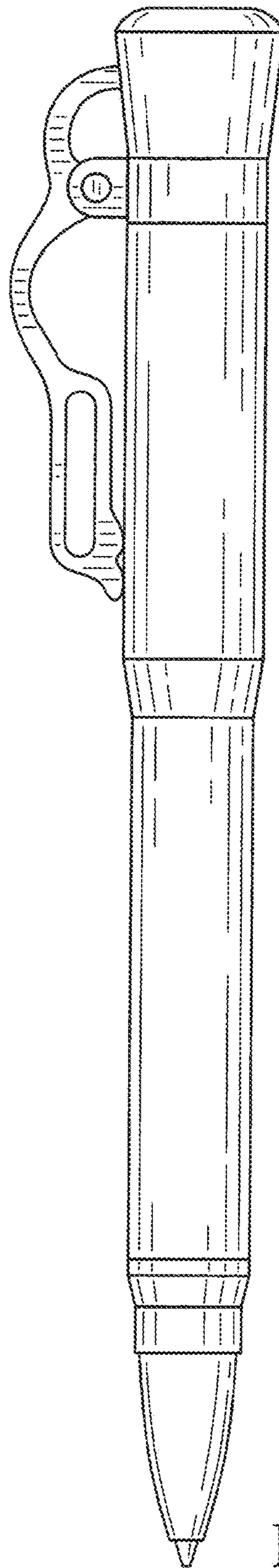


FIG-5

FIG-6

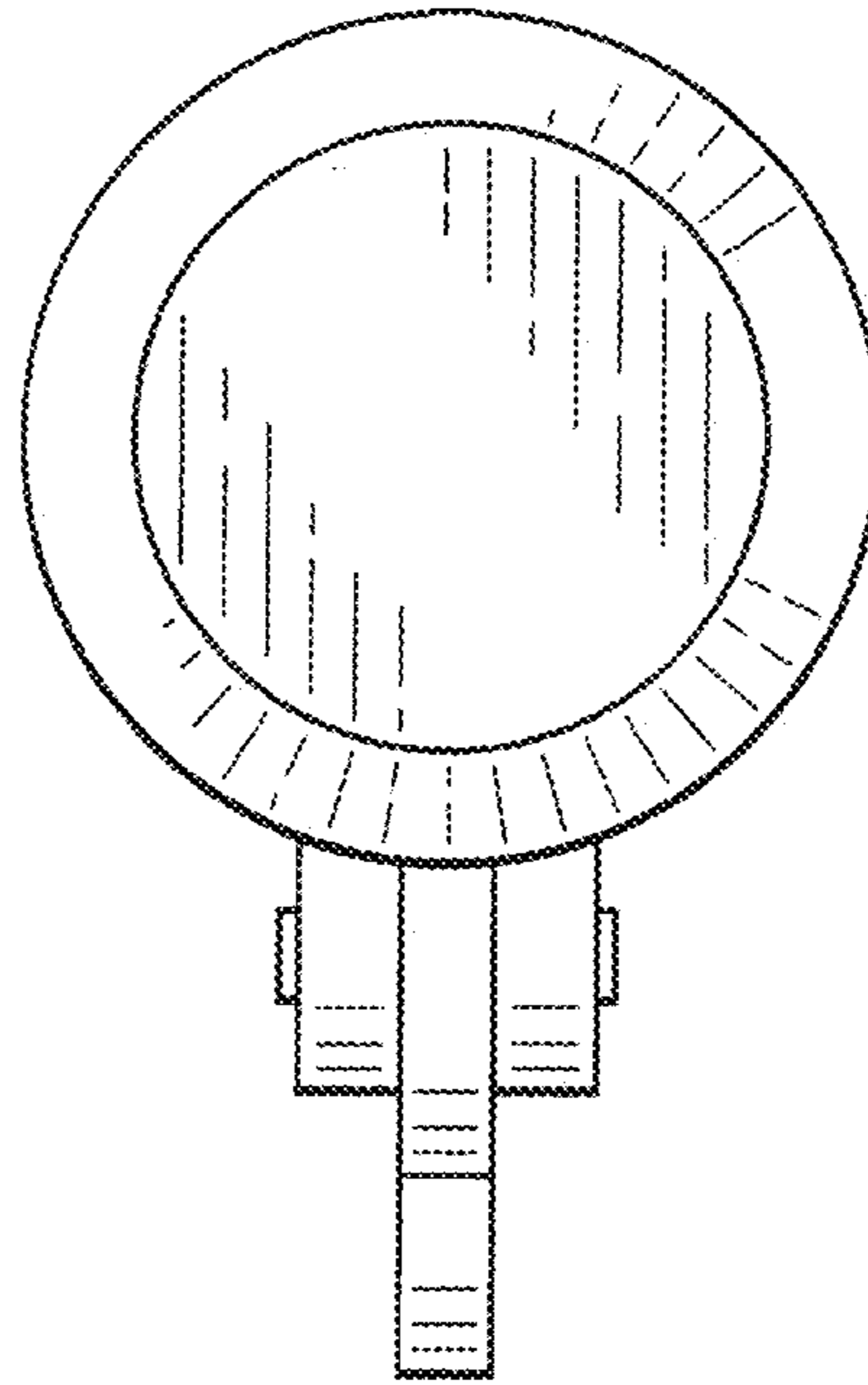


FIG-7

