



US00D771187S

(12) **United States Design Patent** (10) **Patent No.:** **US D771,187 S**  
**Kocoglu et al.** (45) **Date of Patent:** **\*\* Nov. 8, 2016**

(54) **NOTEPAD JACKET**

(71) Applicants: **Andy Kocoglu**, Malibu, CA (US); **Alec Kocoglu**, Malibu, CA (US)

(72) Inventors: **Andy Kocoglu**, Malibu, CA (US); **Alec Kocoglu**, Malibu, CA (US)

(\*\*) Term: **15 Years**

(21) Appl. No.: **29/545,020**

(22) Filed: **Nov. 9, 2015**

(51) **LOC (10) Cl.** ..... **19-02**

(52) **U.S. Cl.**  
USPC ..... **D19/86**

(58) **Field of Classification Search**  
USPC ..... D3/273, 292, 294; D19/86-92, 26-32;  
D9/414, 415, 422, 423, 424, 432  
CPC .. B42D 5/005; A47B 63/00; B65D 83/0835;  
B65D 83/0894; B42F 9/001; B42F 9/002  
See application file for complete search history.

(56) **References Cited**

U.S. PATENT DOCUMENTS

273,301	A *	3/1883	Page	.....	B42F 1/08
					24/67.9
1,840,783	A *	1/1932	McCarthy	.....	B42D 5/005
					211/11
1,988,134	A *	1/1935	Nitardy	.....	B65D 83/0481
					206/534.1
3,099,269	A *	7/1963	Walter	.....	B42F 9/007
					24/67.11
3,526,935	A *	9/1970	Boyce	.....	A47G 1/21
					211/45
D225,906	S *	1/1973	Cline	.....	D19/65
5,555,606	A *	9/1996	Chu	.....	B42F 1/02
					24/545
D374,598	S *	10/1996	Bailey	.....	D8/330
D400,219	S *	10/1998	Mercier	.....	D15/145
D401,969	S *	12/1998	Ho	.....	D19/65
D408,452	S *	4/1999	Coe	.....	D19/65
6,676,100	B2 *	1/2004	Hsu	.....	G09F 1/14
					248/441.1
D492,965	S *	7/2004	Hsu	.....	D19/65

D595,989 S \* 7/2009 Valladares ..... D6/634  
D606,849 S \* 12/2009 Jimenez ..... D8/395  
D619,489 S \* 7/2010 Grillo ..... D11/78.1

\* cited by examiner

*Primary Examiner* — Elizabeth Albert

(74) *Attorney, Agent, or Firm* — Mario Roitman

(57) **CLAIM**

The ornamental design for a notepad jacket, as shown and described.

**DESCRIPTION**

FIG. 1 is a front, bottom and perspective view of applicant's new notepad jacket in a folded configuration.

FIG. 2 is a rear, top and perspective view of applicant's notepad jacket in a folded configuration.

FIG. 3 is a bottom, rear plan view of applicant's notepad jacket in a folded configuration.

FIG. 4 is a top, rear plan view of applicant's notepad jacket in a folded configuration.

FIG. 5 is a left side elevational view of applicant's notepad jacket in a folded configuration.

FIG. 6 is a front, side elevational view of applicant's notepad jacket in a folded configuration.

FIG. 7 is a rear, side elevational view of applicant's notepad jacket in a folded configuration.

FIG. 8 is top perspective view of applicant's notepad jacket in an unfolded configuration.

FIG. 9 is bottom perspective view of applicant's notepad jacket in an unfolded configuration.

FIG. 10 is a top plan view of applicant's notepad jacket in an unfolded configuration.

FIG. 11 is a bottom plan view of applicant's notepad jacket in an unfolded configuration.

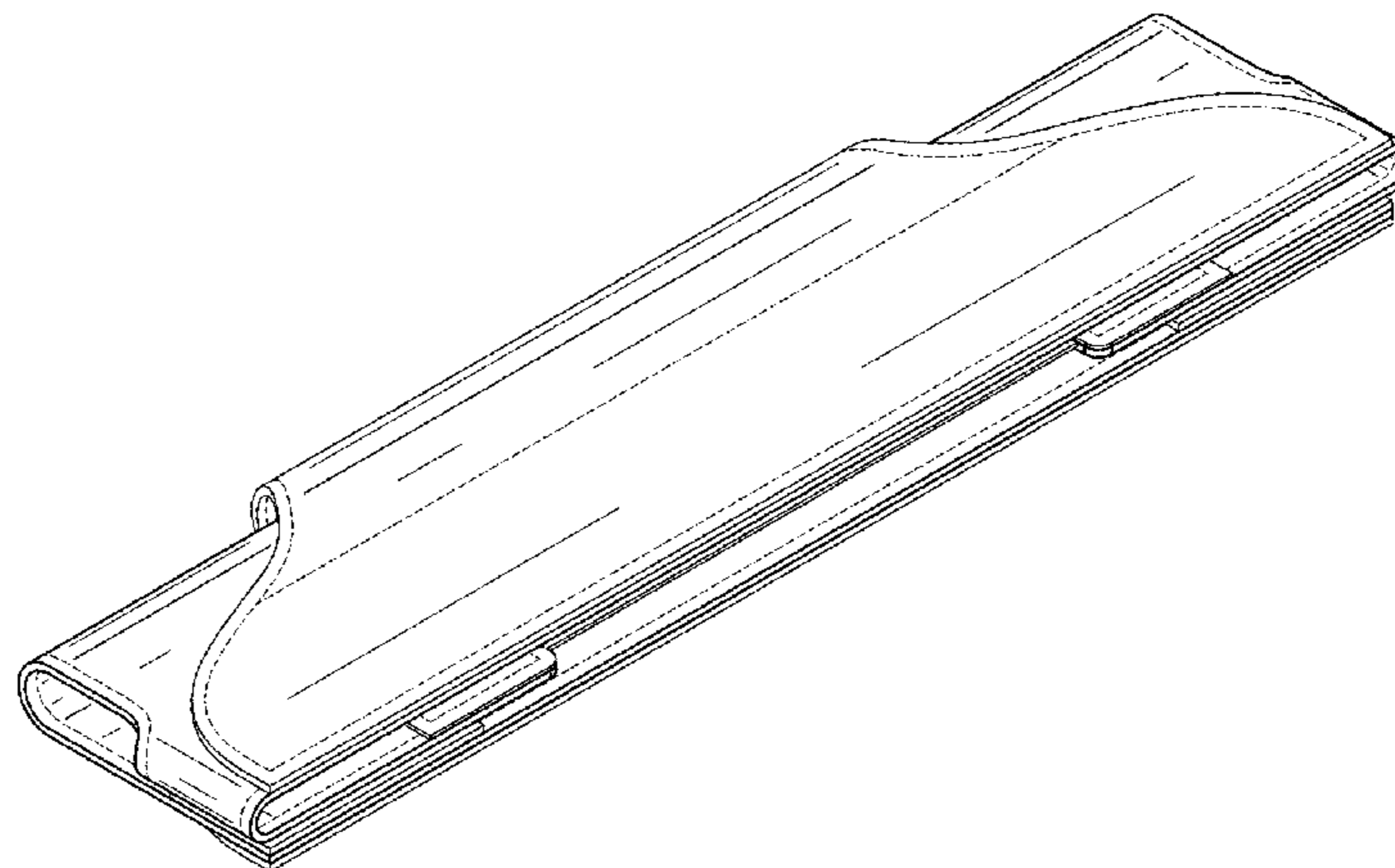
FIG. 12 is a left side elevational view of applicant's notepad jacket in an unfolded configuration.

FIG. 13 is a front, side elevational view of applicant's notepad jacket in an unfolded configuration; and,

FIG. 14 is a rear, side elevational view of applicant's notepad jacket in an unfolded configuration.

The broken lines represent stitching and are part of the claimed design.

**1 Claim, 9 Drawing Sheets**



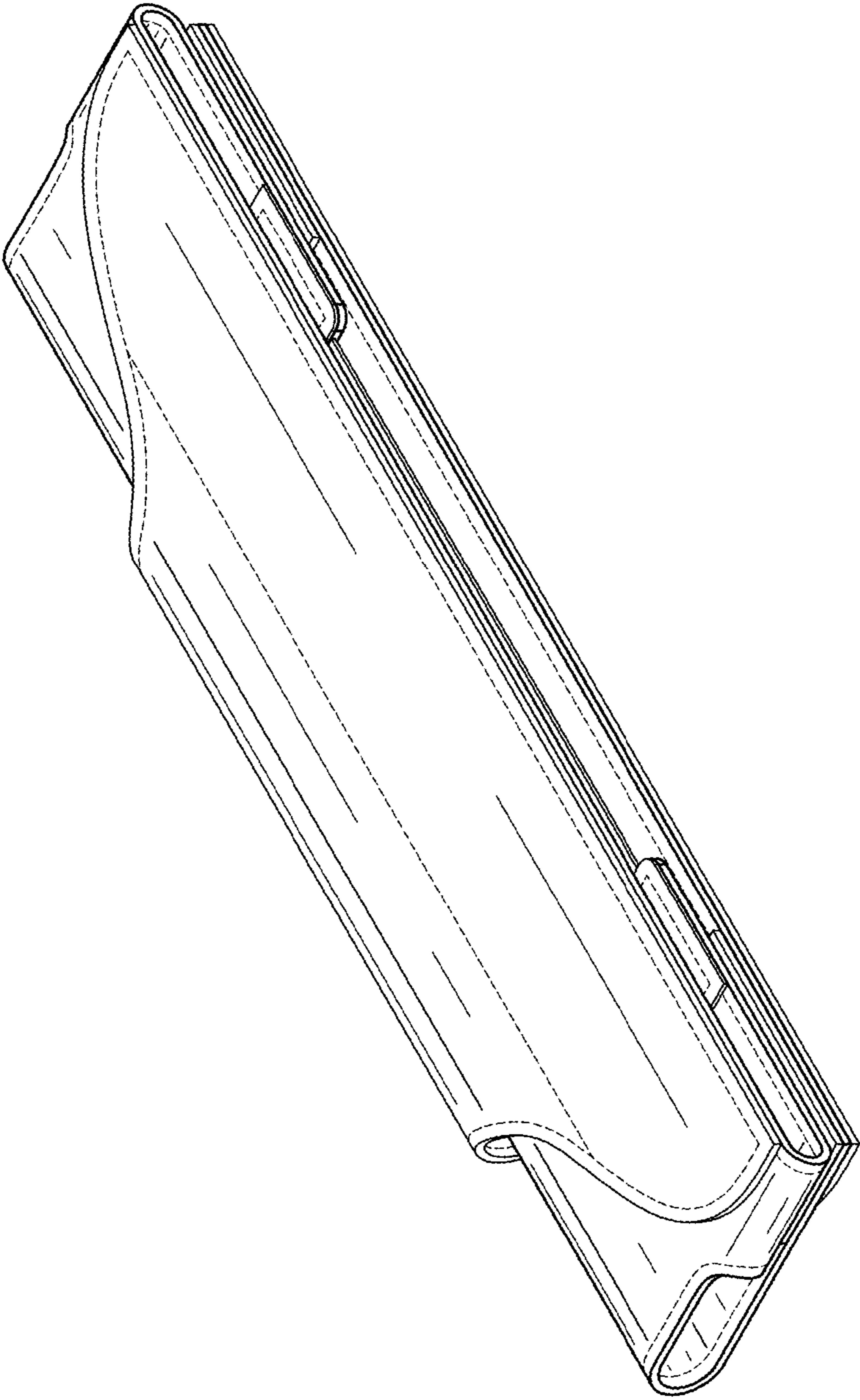


FIG. 1

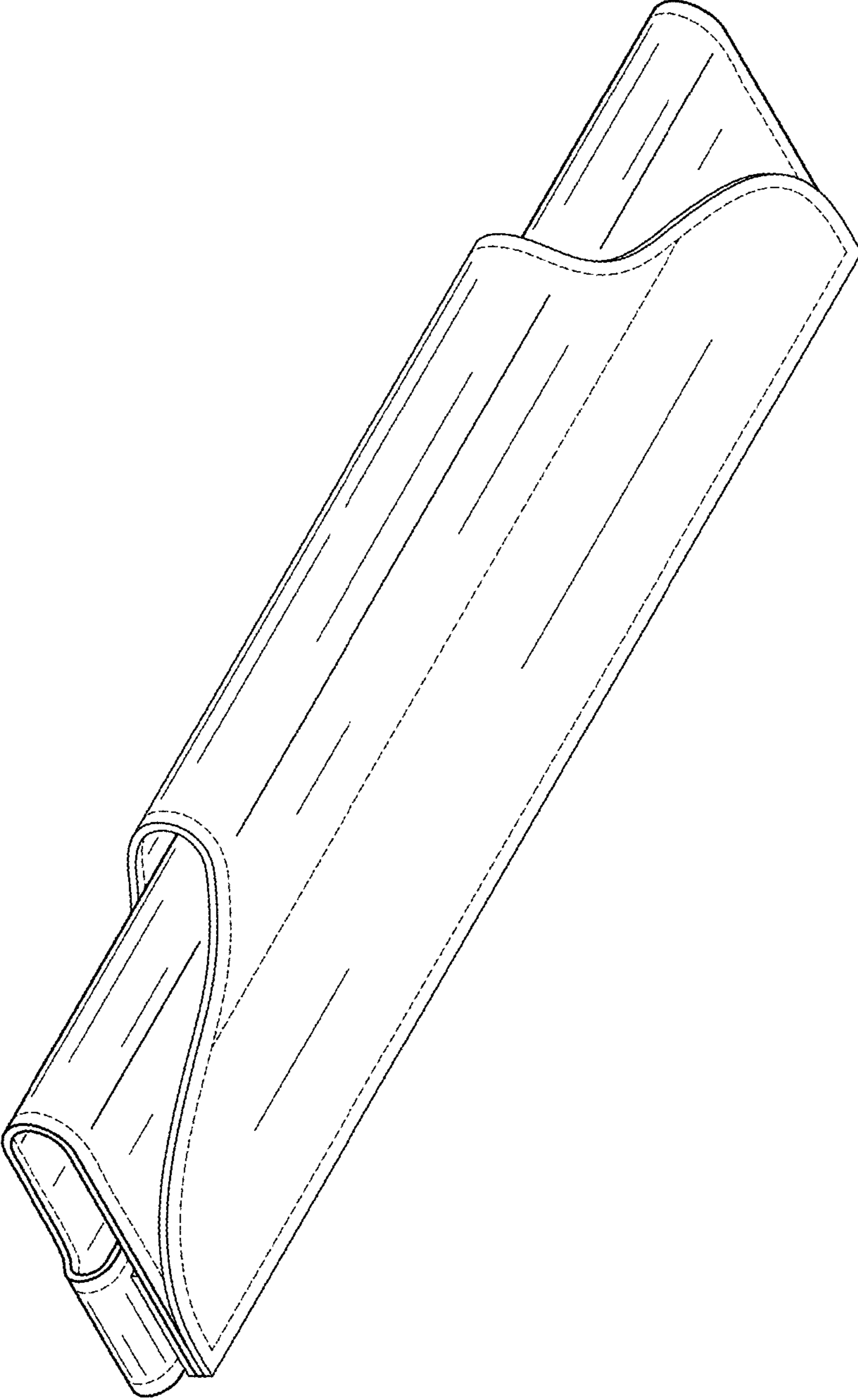


FIG. 2

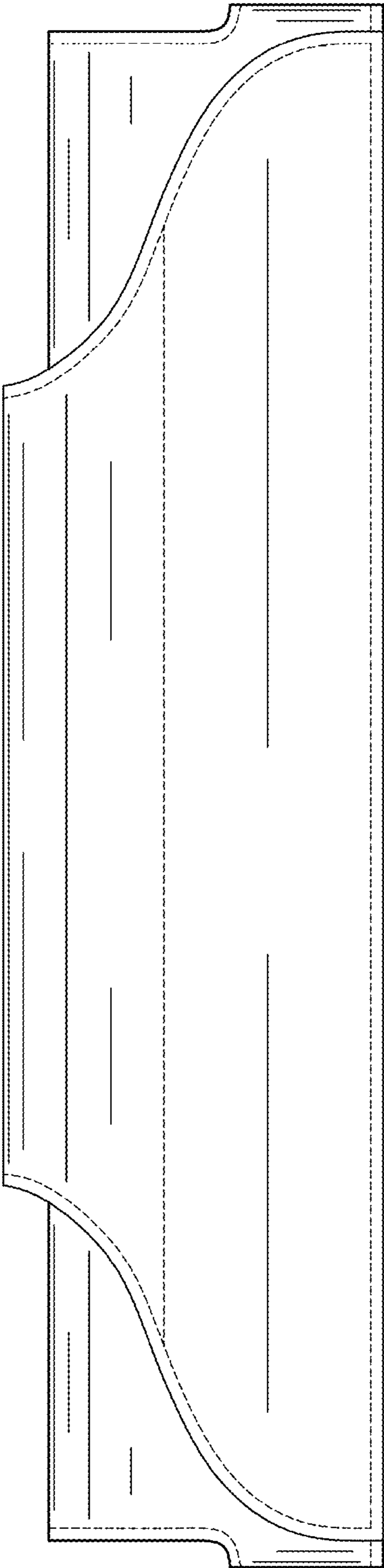


FIG. 3

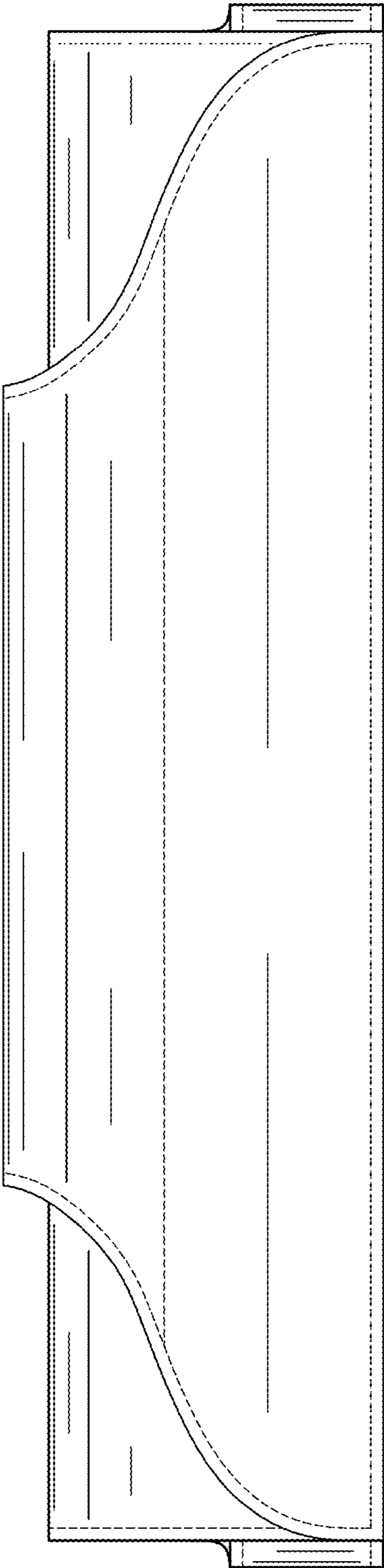


FIG. 4

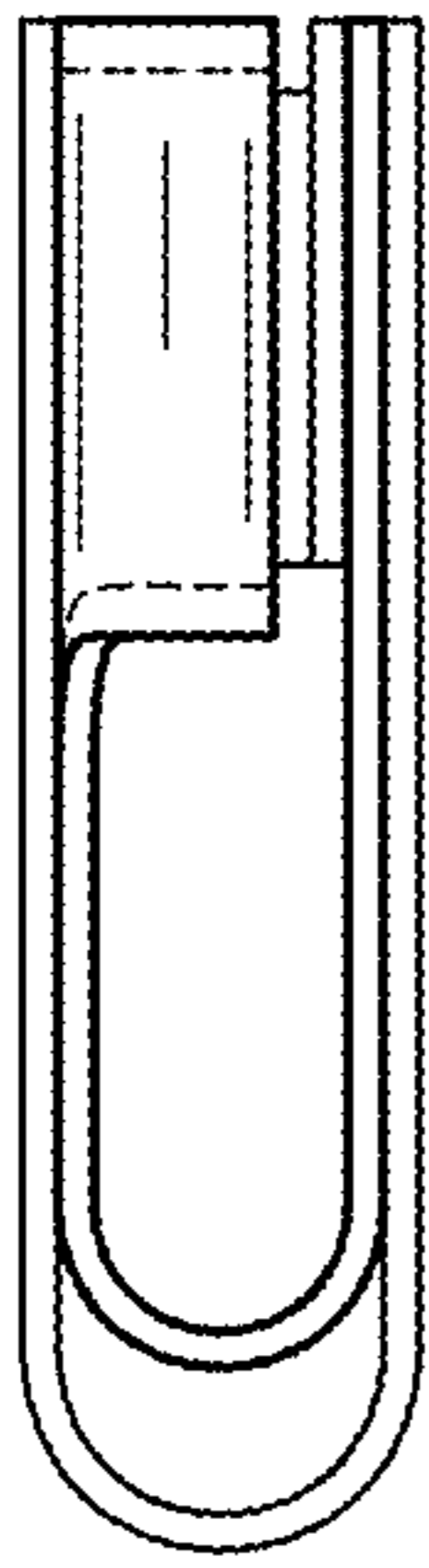


FIG. 5

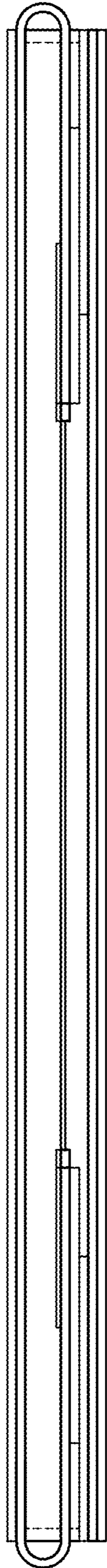


FIG. 6



FIG. 7

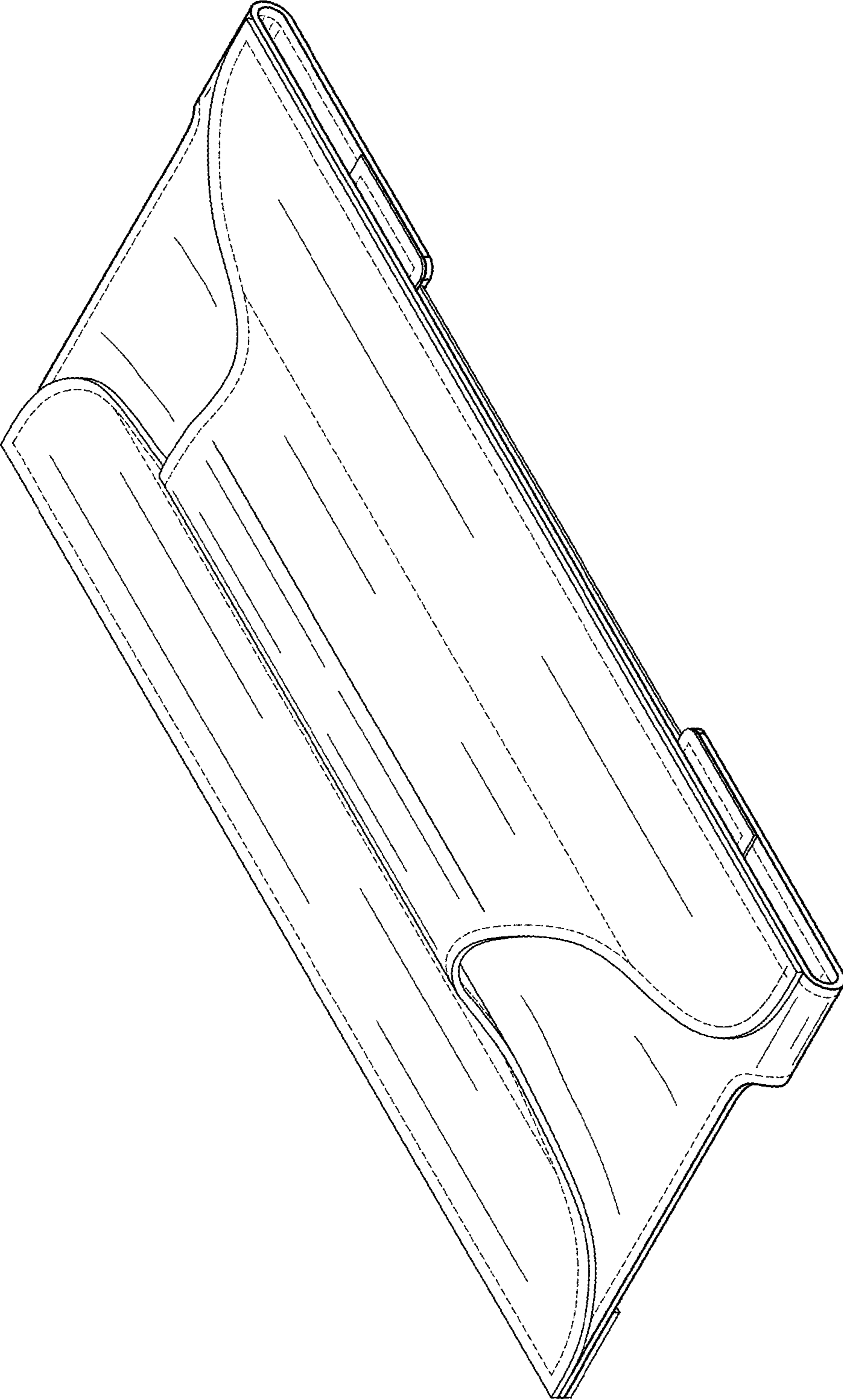


FIG. 8

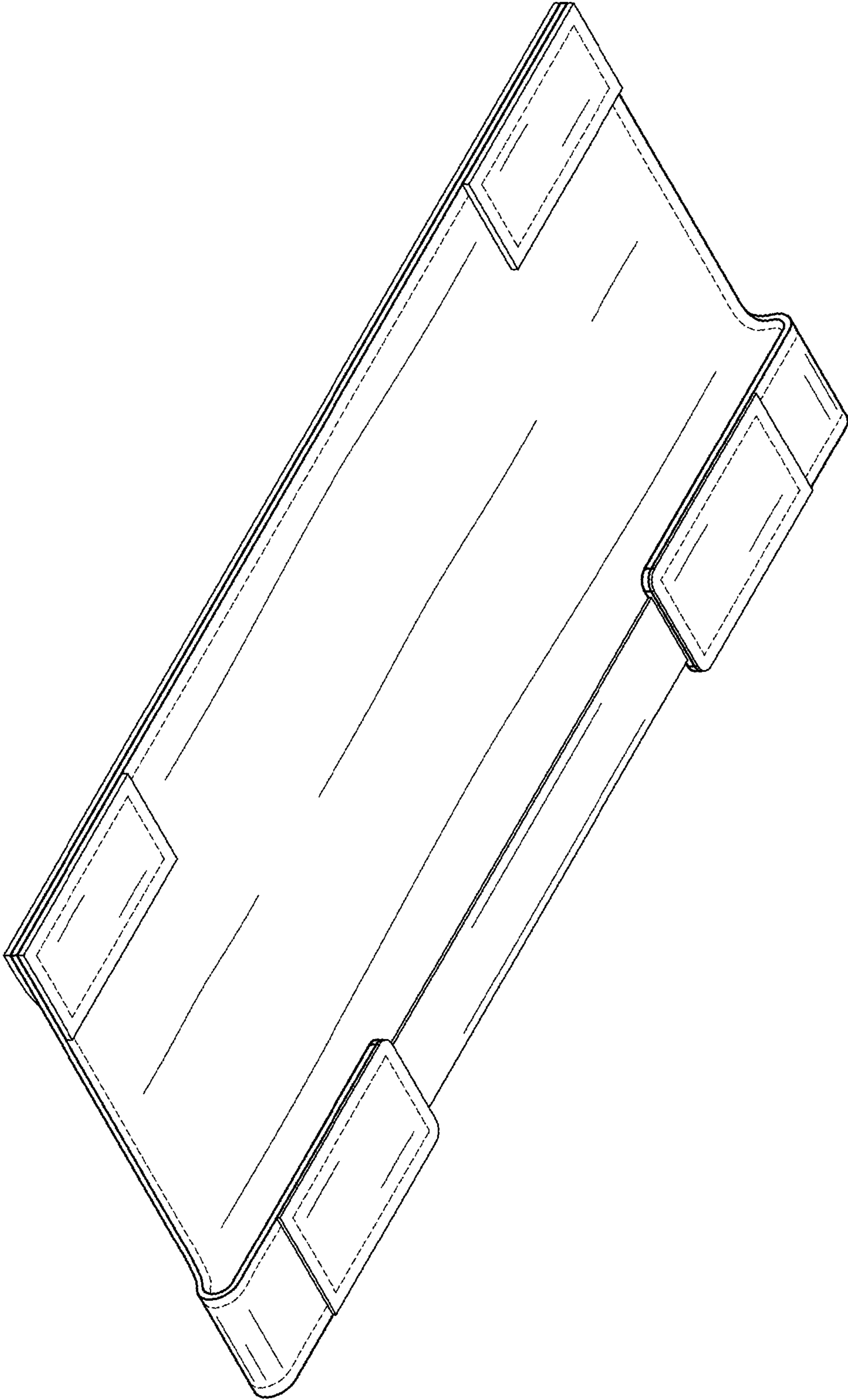


FIG. 9

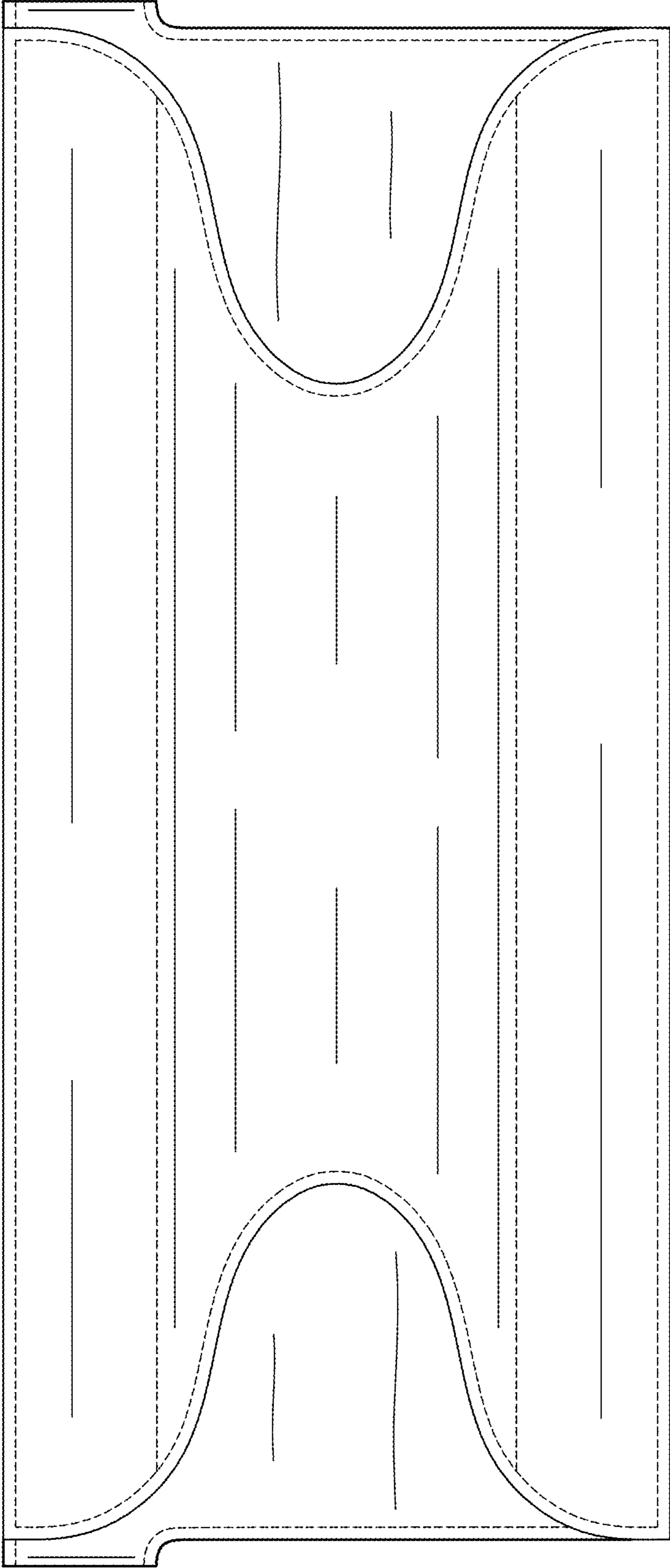


FIG. 10



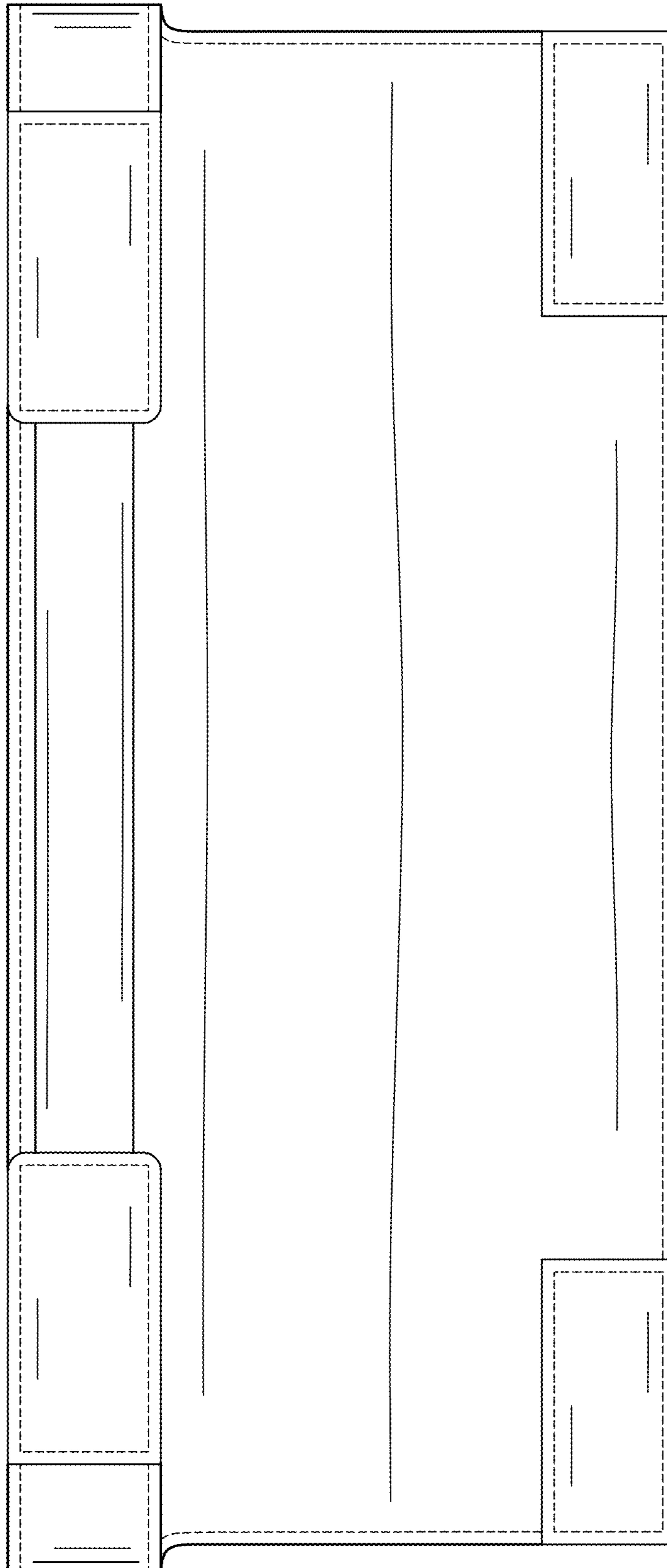


FIG. 11

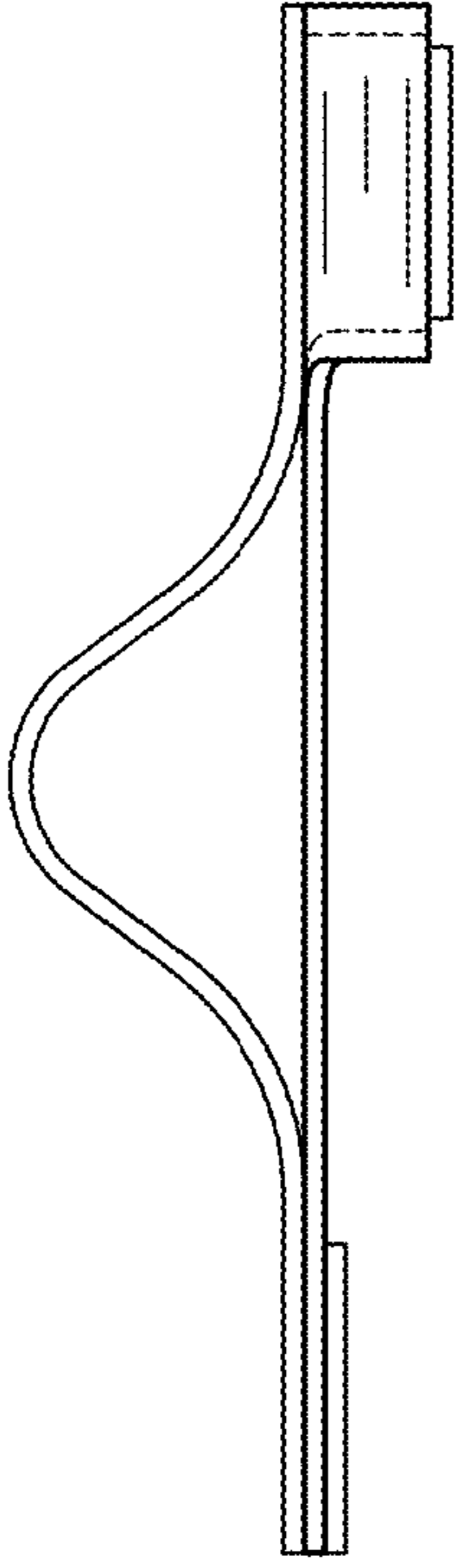


FIG. 12

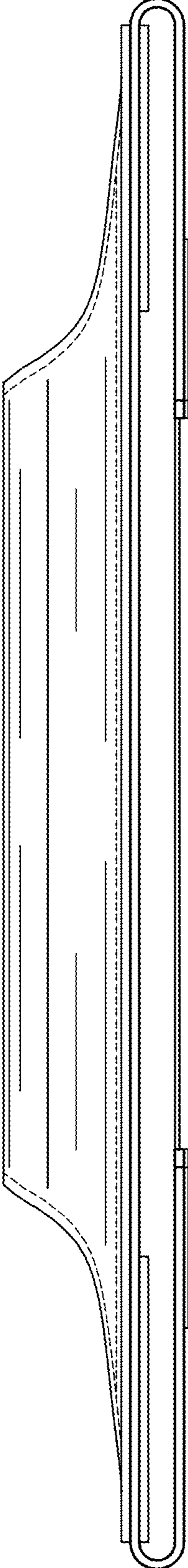


FIG. 13

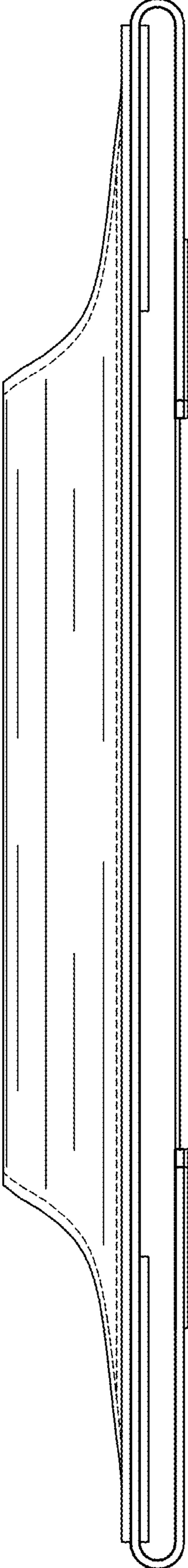


FIG. 14